

ELECTRIC SCISSOR JACK USER MANUAL

ELECTRIC SCISSOR JACK USER MANUAL

Model: ZS3SJ





Safety Warning

1. Please read the "OPERATION MANUAL" carefully and understand all the instruction before operation.
2. Don't move the car while the electric car jack is working works status carefully.
3. Over loading operation is forbidden, without other safety devices.
4. The electric car jack should be placed only on smooth and solid ground. keep you body away from the car while the electric car jack is working.
5. The electric car jack is unsuitable for long continuous operation due to it is machine.
6. It is prohibited to lift the person.
7. Do not overhaul the machine to avoid destroying the machine and lose the right of Guarantee.
8. While taking power directly from the vehicle battery(12V DC power supply) with battery clip, must pay more attention on positive and negative, it can not be wrong, otherwise it will burn electric lifting jack remote control handle.
9. Do not work for long time, when not using, please cut off the power.
10. Avoid the machine dropping into the water and using in the bad condition.
11. Check the power to match well with 12V Car Cigarette Lighter before using.
12. Take notice of the smooth floor and loading capacity when using, also pay attention to finding the exact loading position of the car before the operation of lifting.
13. Do not overload when using the machine, make sure to keep upright with the lifting car at the same time, never operate it aslant.
14. Please check if the name plate and warning indication sticker are in good condition.
15. It can only be used for car maintenance, not for other purposes.

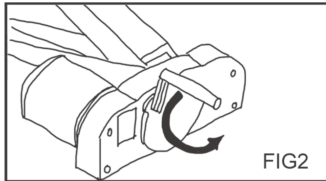
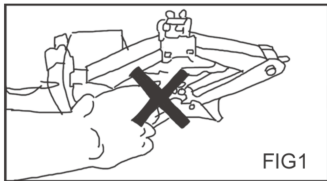
CAUTION: The maximum loading car weight is 3T model !

WARNING

Please pay special attention to the following position which may nip your finger.(FIG1)

ATTENTION

If the electric jack can not work after the car be lifted .you can insert the hand crank into the cover into the cover of gear box to lower the electric jack (FIG2)



1) Advantages

The machine is with the fashion and beautiful design, and adopts the advanced electric machinery technology. It is low noise, quick speeding, stable lifting performance and so on.

Considering the safety, the machine designs self-locking power structure and Emergency cranking function

That is to say: when the power has been disconnected, the lifted jack will not fall, only re-connecting the power, the jack will go on working, or using the hand wrench to fall the car, which will protect the operator's personal safety effectively.

The machine is widely used for Family Car, Go-anywhere Vehicle, Multi-Purpose Vehicle.

2) Operation Instructions

Warning :please follow the OPERATION MANUAL strictly.

1. When changing tire in an emergency case, warning light up, please park the car on a firm, rigid and flat ground (no more than 6 degrees). pull the brakes, stabilize the tires with tire pads or other anti-skid materials, to make sure the vehicle has been locked safely.

2. The electric lifting jack is connected to the 12V power supply by two ways:

(1) Connected by the cigarette lighter: The lighter plug cable into the car cigarette lighter, the other end of the electric jack into the socket on the control handle. (Note: the cigarette lighter fuse rated current of not less than 12A).

(2) (Recommended) Connected by Vehicle battery directly: When fuse current is less than the fuse within the cigarette lighter. 12A, the lighter plug cord into the cigarette lighter socket with one end of the battery clip, and the clip sandwiching battery red "+" on the (positive) black clip and battery "-" (negative electrode) is connected, and then the other end into the cigarette lighter plug socket on the electric lifting jack control handle. (At this time, the engine of the vehicle should be in working condition)

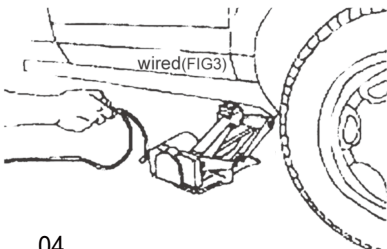
3. The saddle of the electric car jack should be placed against the right bottom of the car .

4. Press " ^ " on the switchboard and confirm that the saddle is connected with the right bottom position of the car press " ^ " continuously till the car is jacked to and ideal height. (FIG3)

5. Press " v " on the switchboard to lower the car completely after preparing .

6. Press " v " on the switchboard to adjust the position of the electric car jack when the saddle is not touched on the right bottom position of the car .

7. Of course the electric car jack you bought also is equipped with wireless remote control function, you also could select the wireless remote control to operate the rising and descending tasks (the distance within 10m)!

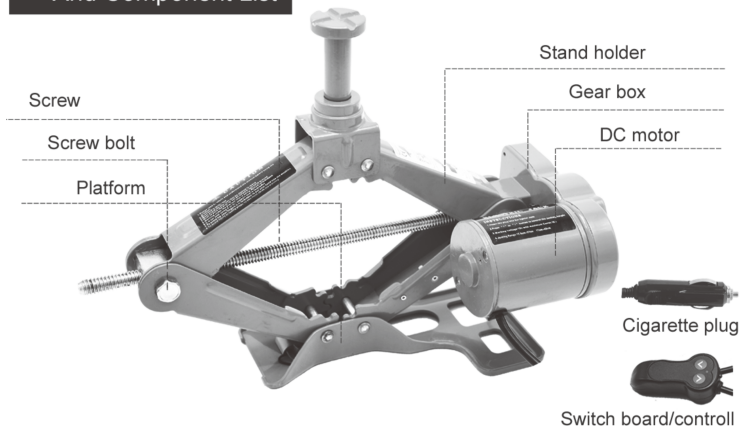


8. Counter-clockwise turning will lower the jack easily . when no power supply.

3) Technical Data

| Model | Input Voltage | Rate Current | Rate Power | Max.Loading Car Weight | Lifting Rang | Fuse | Working Temperature |
|-------|---------------|--------------|------------|------------------------|-------------------|------|---------------------|
| ZS3SJ | DC12V | 15A | 180W | 3T | 12-37/ 17-42cm | 15A | -20 ~ +70 ℃ |

4) Assembly Sketch And Component List



HOW TO REPLACE THE FUSE IN THE 12V PLUG

- 1.To replace the fuse in the plug,twist off the upper cover.
- 2.Remove the faulty fuse and insert a new one.
- 3.Twist the cover back on the plug. A spare fuse is enclosed in the case.



5) Operation Scope

The electric car jack is used for cars.

6) Operation Environment

The electric cart jack is applicable below 5000m sea level and from -20°C to 70°C under natural temperature, it is prohibited to be operated under the circumstances and magnetic and explosive fields.

7) Operation Duration

It is 2 years.

8) Maintenance

The electric cart jack must be maintained and repaired by professionals according to the OPERATION MANUAL

1. Put lubricant on the screw bolt of electric car jack periodically.
2. Keep it clean and dry after operation.
3. Any change in the structure, which might affect its safety is forbidden.

9) Storage

It is stored under the temperature from 0-70°C with humidity less than 70%. To avoid severe collision, upside down and water during transportation.

10) Trouble Analysis

| Trouble | Causes | Measure |
|--|---------------------------------|---|
| The electric jack dose not work or the car cannot be jacked up.. | A.Overloaded | A.Reduce the weight |
| | B.No electricity in the lighter | B.Check it or insert the plug correctly |
| | C.Fuse is broken | C.Chang a good fuse |

Package contents

| No. | Name | Quantity |
|-----|-----------------------|----------|
| 1 | Electric scissor jack | 1 |
| 2 | Long top head | 1 |
| 3 | Short top head | 1 |
| 4 | Power line(3.5m) | 1 |
| 5 | Hand rocker lever | 1 |
| 6 | Fuse wire | 3 |
| 7 | Glove | 1 |
| 8 | Battery clip | 1 |
| 9 | Carrying case | 1 |
| 10 | User manual | 1 |

Manufacturer: Jinyun Zhaoshi Tool Co.,Ltd
Add: 231 Xianmu West Road, Huzhen Town,
Jinyun County, Lishui City, Zhejiang Province, China

EU Importer: WAITCHX

Address: 250 bis Boulevard Saint-Germain, 75007 Paris, France

UK Importer: FREE MOOD LTD

Address: 2 Holywell Lane, London, England, EC2A 3ET



EUREP GmbH
Unterlettenweg 1a, 85051
Ingolstadt, Germany



EUREP UK LTD
UNIT 2264, 100 OCK STREET, ABINGDON
OXFORDSHIRE ENGLAND OX14 5DH

MADE IN CHINA

CRIC À CISEAUX ÉLECTRIQUE
MANUEL D'UTILISATION

CRIC À CISEAUX ÉLECTRIQUE

MANUEL D'UTILISATION

Modèle: ZS3SJ





Avertissement de sécurité

1. Veuillez lire attentivement le « MANUEL D'UTILISATION » et comprendre toutes les instructions avant l'opération.
2. Ne déplacez pas la voiture pendant que le cric électrique fonctionne. Vérifiez soigneusement l'état de fonctionnement.
3. Les opérations de surcharge sont interdites sans autres dispositifs de sécurité.
4. Le cric électrique de voiture doit être placé uniquement sur un sol lisse et solide. Gardez votre corps loin de la voiture pendant que le cric électrique de voiture fonctionne.
5. Le cric électrique pour voiture n'est pas adapté à un fonctionnement continu de longue durée en raison de son caractère mécanique.
6. Il est interdit de soulever la personne.
7. Ne réviser pas la machine pour éviter de la détruire et de perdre le droit de Garantie.
8. Lors de la prise d'alimentation directement à partir de la batterie du véhicule (alimentation 12 V CC) avec le clip de batterie, il faut faire plus attention au positif et au négatif, cela ne peut pas être faux, sinon cela brûlera la poignée de la télécommande du cric de levage électrique.
9. Ne travaillez pas pendant une longue période. Lorsque vous ne l'utilisez pas, veuillez couper l'alimentation.
10. Évitez de laisser tomber la machine dans l'eau et de l'utiliser dans de mauvaises conditions.
11. Vérifiez que l'alimentation correspond bien à l'allume-cigare de voiture 12 V avant utilisation.
12. Faites attention au sol lisse et à la capacité de chargement lors de l'utilisation, faites également attention à trouver la position de chargement exacte de la voiture avant l'opération de levage.
13. Ne surchargez pas la machine lorsque vous l'utilisez, assurez-vous de rester debout pendant le levage. voiture en même temps, ne la conduisez jamais de biais.
14. Veuillez vérifier si la plaque signalétique et l'autocollant d'avertissement sont en bon état.
15. Il ne peut être utilisé que pour l'entretien du véhicule, pas à d'autres fins.

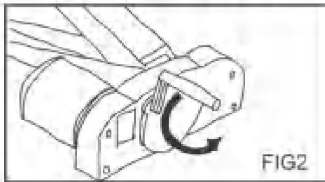
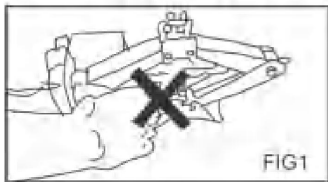
ATTENTION : Le poids maximum de chargement du wagon est de 3T pour le modèle !

WARNING

Please pay special attention to the following position which may nip your finger.(FIG1)

ATTENTION

If the electric jack can not work after the car be lifted ,you can insert the hand crank into the cover into the cover of gear box to lower the electric jack (FIG2)



1) Advantages

The machine is with the fashion and beautiful design, and adopts the advanced electric machinery technology. It is low noise, quick speeding, stable lifting performance and so on.

Considering the safety, the machine designs self-locking power structure and Emergency cranking function

That is to say: when the power has been disconnected, the lifted jack will not fall, only re-connecting the power, the jack will go on working, or using the hand wrench to fall the car, which will protect the operator's personal safety effectively.

The machine is widely used for Family Car, Go-anywhere Vehicle, Multi-Purpose Vehicle.

2) Operation Instructions

Warning :please follow the OPERATION MANUAL strictly.

1. When changing tire in an emergency case, warning light up, please park the car on a firm, rigid and flat ground (no more than 6 degrees), pull the brakes, stabilize the tires with tire pads or other anti-skid materials, to make sure the vehicle has been locked safely.

2. The electric lifting jack is connected to the 12V power supply by two ways:

(1) Connected by the cigarette lighter: The lighter plug cable into the car cigarette lighter, the other end of the electric jack into the socket on the control handle. (Note: the cigarette lighter fuse rated current of not less than 12A).

(2) (Recommended) Connected by Vehicle battery directly. When fuse current is less than the fuse within the cigarette lighter, 12A, the lighter plug cord into the cigarette lighter socket with one end of the battery clip, and the clip sandwiching battery red "+" on the (positive) black clip and battery "-" (negative electrode) is connected, and then the other end into the cigarette lighter plug socket on the electric lifting jack control handle. (At this time, the engine of the vehicle should be in working condition).

3. The saddle of the electric car jack should be placed against the right bottom of the car .

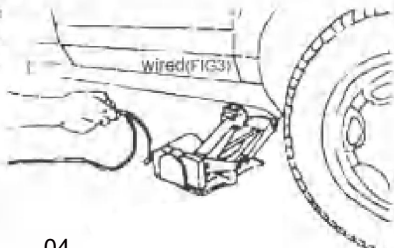
4. Press " ^ " on the switchboard and confirm that the saddle is connected with the right bottom position of the car press " ^ " continuously till the car is jacked to and ideal height. (FIG3)

5. Press " v " on the switchboard to lower the car completely after preparing .

6. Press " v " on the switchboard to adjust the position of the electric car jack when the saddle is not touched on the right bottom position of the car

7. Of course the electric car jack you bought also is equipped with wireless remote control function, you also could select the wireless remote control to operate the rising and descending tasks (the distance within 10m)

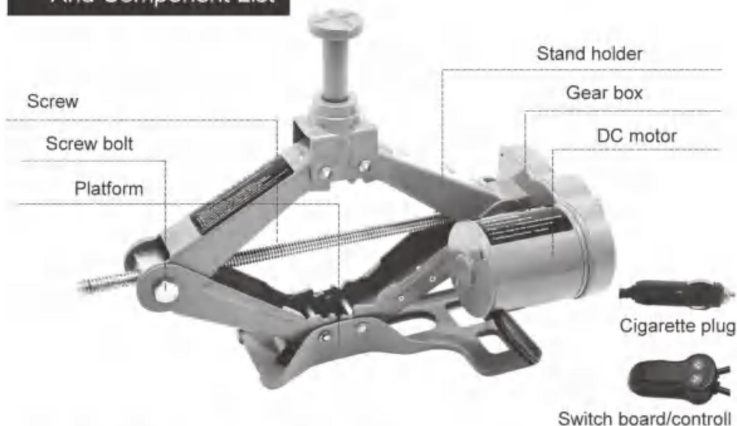
8. Counter-clockwise turning will lower the jack easily when no power supply



3) Technical Data

| Modèle | Saisir Tension | Taux Actuel | Taux Pouvoir | Poids max. de chargement du wagon | Levage Sonné | Fusible | Fonctionnement Température |
|--------|----------------|-------------|--------------|-----------------------------------|----------------------|---------|----------------------------|
| ZS3SJ | DC12V 15A 180W | | | 3T | 12-37/ 15A -20 ~ +70 | | 17-42cm |

4) Assembly Sketch And Component List



HOW TO REPLACE THE FUSE IN THE 12V PLUG

- 1.To replace the fuse in the plug,twist off the upper cover.
- 2.Remove the faulty fuse and insert a new one.
- 3.Twist the cover back on the plug. A spare fuse is enclosed in the case.



5) Operation Scope

The electric car jack is used for cars.

6) Operation Environment

The electric cart jack is applicable below 5000m sea level and from -20°C to 70°C under natural temperature, it is prohibited to be operated under the circumstances and magnetic and explosive fields.

7) Operation Duration

It is 2 years.

8) Maintenance

The electric cart jack must be maintained and repaired by professionals according to the OPERATION MANUAL

1. Put lubricant on the screw bolt of electric car jack periodically.
2. Keep it clean and dry after operation.
3. Any change in the structure, which might affect its safety is forbidden.

9) Storage

It is stored under the temperature from 0-70°C with humidity less than 70%. To avoid severe collision, upside down and water during transportation.

10) Trouble Analysis

| Trouble | Causes | Measure |
|--|---------------------------------|---|
| The electric jack dose not work or the car cannot be jacked up.. | A.Overloaded | A.Reduce the weight |
| | B.No electricity in the lighter | B.Check it or insert the plug correctly |
| | C.Fuse is broken | C.Chang a good fuse |

Contenu du colis

| Non. | Nom | Quantité |
|------|--|----------|
| 1 | Cric électrique à ciseaux | 1 |
| 2 | Tête supérieure | 1 |
| 3 | longue Tête | 1 |
| 4 | supérieure courte Ligne électrique (3,5 m) | 1 |
| 5 | Levier à bascule manuel | 1 |
| 6 | Fil fusible | 3 |
| 7 | Gant | 1 |
| 8 | Pince à batterie | 1 |
| 9 | Mallette de transport | 1 |
| 10 | Manuel d'utilisation | 1 |

Fabricant : Jinyun Zhaoshi Tool Co., Ltd

Ajouter : 231 Xianmu West Road, ville de Huzhen,

comté de Jinyun, ville de Lishui, province du Zhejiang, Chine

Importateur UE : WAITCHX

Adresse : 250 bis Boulevard Saint-Germain, 75007 Paris, France

Importateur britannique : FREE MOOD LTD

Adresse : 2 Holywell Lane, Londres, Angleterre, EC2A 3ET



EUREP GmbH

Unterlettenweg 1a, 85051

Ingolstadt, Allemagne



EUREP UK LTD

UNITÉ 2264, 100 OCK STREET, ABINGDON

OXFORDSHIRE ANGLETERRE OX14 5DH

FABRIQUÉ EN CHINE

**ELEKTRISCHER SCHERENWAGENHEBER
BENUTZERHANDBUCH**

ELEKTRISCHER SCHERENWAGENHEBER
BENUTZERHANDBUCH

Modell: ZS3SJ





Sicherheitshinweis

1. Bitte lesen Sie die „BEDIENUNGSANLEITUNG“ sorgfältig durch und verstehen Sie alle Anweisungen vor dem Betrieb.
2. Bewegen Sie das Auto nicht, während der elektrische Wagenheber in Betrieb ist.
3. Überladungsvorgänge sind ohne andere Sicherheitsvorrichtungen verboten.
4. Der elektrische Wagenheber darf nur auf glattem und festem Untergrund abgestellt werden. Halten Sie Ihren Körper vom Auto fern, während der elektrische Wagenheber in Betrieb ist.
5. Der elektrische Wagenheber ist maschinenbedingt nicht für einen längeren Dauerbetrieb geeignet.
6. Das Hochheben der Person ist verboten.
7. Überholen Sie die Maschine nicht, da Sie sonst die Maschine zerstören und das Recht auf Garantie.
8. Wenn Sie den Strom direkt über die Fahrzeugbatterie (12-V-Gleichstromversorgung) mit der Batterieklemme beziehen, müssen Sie besonders auf Plus und Minus achten. Es darf nichts falsch sein, da sonst die Fernbedienung des elektrischen Wagenhebers durchbrennt.
9. Arbeiten Sie nicht über einen längeren Zeitraum. Schalten Sie bei Nichtgebrauch die Stromversorgung ab.
10. Vermeiden Sie, dass die Maschine ins Wasser fällt und in schlechtem Zustand verwendet wird.
11. Überprüfen Sie vor der Verwendung, ob die Stromversorgung mit dem 12-V-Zigarettenanzünder im Auto übereinstimmt.
12. Achten Sie bei der Verwendung auf einen glatten Boden und die Ladekapazität. Achten Sie auch darauf, vor dem Anheben die genaue Ladeposition des Fahrzeugs zu ermitteln.
13. Überlasten Sie die Maschine nicht, achten Sie darauf, dass sie aufrecht steht, wenn Sie sie anheben. gleichzeitiges Betätigen des Fahrzeugs, niemals schräg.
14. Prüfen Sie bitte, ob das Typenschild und der Warnhinweisaufkleber in gutem Zustand sind.
15. Es darf nur zur Fahrzeugwartung verwendet werden, nicht für andere Zwecke.

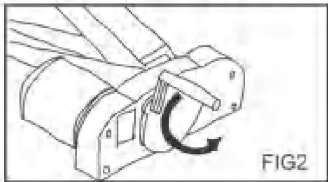
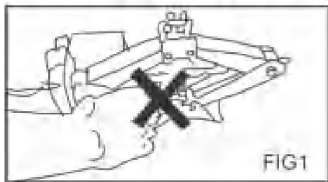
ACHTUNG: Das maximale Ladegewicht des Fahrzeugs beträgt beim Modell 3Tonnen!

WARNING

Please pay special attention to the following position which may nip your finger.(FIG1)

ATTENTION

If the electric jack can not work after the car be lifted ,you can insert the hand crank into the cover into the cover of gear box to lower the electric jack (FIG2)



1) Advantages

The machine is with the fashion and beautiful design, and adopts the advanced electric machinery technology. It is low noise, quick speeding, stable lifting performance and so on.

Considering the safety, the machine designs self-locking power structure and Emergency cranking function

That is to say: when the power has been disconnected, the lifted jack will not fall, only re-connecting the power, the jack will go on working, or using the hand wrench to fall the car, which will protect the operator's personal safety effectively.

The machine is widely used for Family Car, Go-anywhere Vehicle, Multi-Purpose Vehicle.

2) Operation Instructions

Warning :please follow the OPERATION MANUAL strictly.

1. When changing tire in an emergency case, warning light up, please park the car on a firm, rigid and flat ground (no more than 6 degrees), pull the brakes, stabilize the tires with tire pads or other anti-skid materials, to make sure the vehicle has been locked safely.

2. The electric lifting jack is connected to the 12V power supply by two ways:

(1) Connected by the cigarette lighter: The lighter plug cable into the car cigarette lighter, the other end of the electric jack into the socket on the control handle. (Note: the cigarette lighter fuse rated current of not less than 12A).

(2) (Recommended) Connected by Vehicle battery directly. When fuse current is less than the fuse within the cigarette lighter, 12A, the lighter plug cord into the cigarette lighter socket with one end of the battery clip, and the clip sandwiching battery red "+" on the (positive) black clip and battery "-" (negative electrode) is connected, and then the other end into the cigarette lighter plug socket on the electric lifting jack control handle. (At this time, the engine of the vehicle should be in working condition).

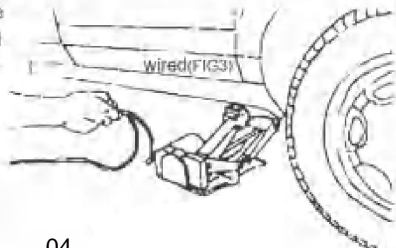
3. The saddle of the electric car jack should be placed against the right bottom of the car .

4. Press " ^ " on the switchboard and confirm that the saddle is connected with the right bottom position of the car press " ^ " continuously till the car is jacked to and ideal height. (FIG3)

5. Press " v " on the switchboard to lower the car completely after preparing .

6. Press " v " on the switchboard to adjust the position of the electric car jack when the saddle is not touched on the right bottom position of the car

7. Of course the electric car jack you bought also is equipped with wireless remote control function, you also could select the wireless remote control to operate the rising and descending tasks (the distance within 10m)

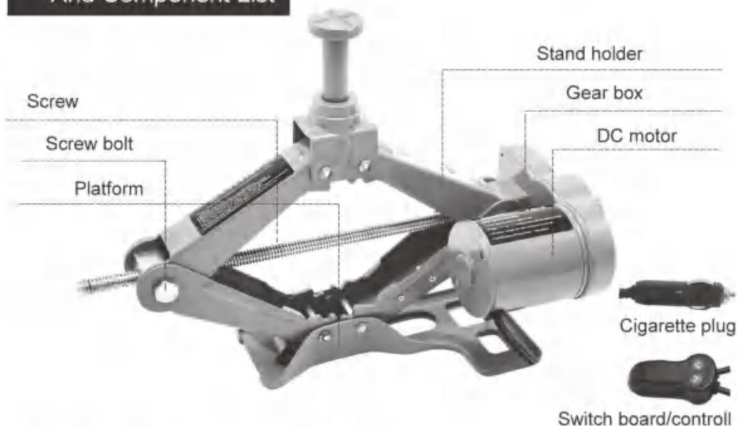


8. Counter-clockwise turning will lower the jack easily when no power supply.

3) Technical Data

| Modell | Eingang Stromspannung | Rate Aktuell | Rate Leistung | Max. Ladegewicht | Heben Rang | Sicherung | Arbeiten Temperatur |
|--------|--------------------------|-----------------|------------------|---------------------|-----------------------|-----------|------------------------|
| ZS3SJ | DC 12 V | 15 A, 180 W | | 3T | 12-37/ 15A -20 ~ +70y | 17-42cm | |

4) Assembly Sketch And Component List



HOW TO REPLACE THE FUSE IN THE 12V PLUG

- 1.To replace the fuse in the plug,twist off the upper cover.
- 2.Remove the faulty fuse and insert a new one.
- 3.Twist the cover back on the plug. A spare fuse is enclosed in the case.



5) Operation Scope

The electric car jack is used for cars.

6) Operation Environment

The electric cart jack is applicable below 5000m sea level and from -20°C to 70°C under natural temperature, it is prohibited to be operated under the circumstances and magnetic and explosive fields.

7) Operation Duration

It is 2 years.

8) Maintenance

The electric cart jack must be maintained and repaired by professionals according to the OPERATION MANUAL

1. Put lubricant on the screw bolt of electric car jack periodically.
2. Keep it clean and dry after operation.
3. Any change in the structure, which might affect its safety is forbidden.

9) Storage

It is stored under the temperature from 0-70°C with humidity less than 70%. To avoid severe collision, upside down and water during transportation

10) Trouble Analysis

| Trouble | Causes | Measure |
|--|---------------------------------|---|
| The electric jack dose not work or the car cannot be jacked up.. | A.Overloaded | A.Reduce the weight |
| | B.No electricity in the lighter | B.Check it or insert the plug correctly |
| | C.Fuse is broken | C.Chang a good fuse |

Packungsinhalt

| NEIN. | Name | Menge 1 |
|-------|---|---------|
| 1 | Elektrischer | |
| 2 | Scherenwagenheber | 1 |
| 3 | Langes oberes Ende | 1 |
| 4 | Kurzes oberes Ende Stromleitung (3,5 m) | 1 |
| 5 | Handkipphebel | 1 |
| 6 | Sicherungsdraht | 3 |
| 7 | Handschuh | 1 |
| 8 | Batterieclip | 1 |
| 9 | Tragetasche | 1 |
| 10 | Benutzerhandbuch | 1 |

Hersteller: Jinyun Zhaoshi Tool Co., Ltd.

Hinzufügen: 231 Xianmu West Road, Stadt

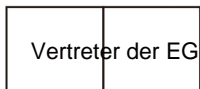
Huzhen, Kreis Jinyun, Stadt Lishui, Provinz Zhejiang, China

EU-Importeur: WAITCHX

Adresse: 250 bis Boulevard Saint-Germain, 75007 Paris, Frankreich

Britischer Importeur: FREE MOOD LTD

Adresse: 2 Holywell Lane, London, England, EC2A 3ET



EUREP GmbH

Unterlettenweg 1a, 85051

Ingolstadt, Deutschland



EUREP UK LTD

EINHEIT 2264, 100 OCK STREET, ABINGDON

OXFORDSHIRE ENGLAND OX14 5DH

IN CHINA HERGESTELLT

CRIC ELETTRICO A FORBICE MANUALE D'USO

CRIC ELETTRICO A FORBICE MANUALE D'USO

Modello: ZS3SJ





Avviso di sicurezza

1. Si prega di leggere attentamente il "MANUALE DI ISTRUZIONI" e di comprendere tutte le istruzioni prima dell'operazione.
2. Non spostare l'auto mentre il cric elettrico è in funzione. Prestare attenzione allo stato di funzionamento.
3. È vietato effettuare operazioni di sovraccarico senza altri dispositivi di sicurezza.
4. Il cric elettrico per auto deve essere posizionato solo su una superficie liscia e solida. Tenere il corpo lontano dall'auto mentre il cric elettrico è in funzione.
5. Il cric elettrico per auto non è adatto per un funzionamento continuo prolungato poiché è una macchina.
6. È vietato sollevare la persona.
7. Non revisionare la macchina per evitare di distruggerla e perdere il diritto di Garanzia.
8. Quando si prende l'alimentazione direttamente dalla batteria del veicolo (alimentatore CC da 12 V) con la clip della batteria, bisogna prestare maggiore attenzione al positivo e al negativo, non può essere sbagliato, altrimenti brucerà la maniglia del telecomando del martinetto di sollevamento elettrico.
9. Non utilizzare per lunghi periodi di tempo; quando non lo si utilizza, staccare la corrente.
10. Evitare che la macchina cada in acqua e che venga utilizzata in cattive condizioni.
11. Prima dell'uso, verificare che la potenza sia compatibile con l'accendisigari da 12 V dell'auto.
12. Prestare attenzione alla superficie liscia del pavimento e alla capacità di carico durante l'uso, inoltre prestare attenzione a trovare la posizione di carico esatta dell'auto prima dell'operazione di sollevamento.
13. Non sovraccaricare durante l'utilizzo della macchina, assicurarsi di mantenersi in posizione verticale con il sollevamento auto contemporaneamente, non guidarla mai in diagonale.
14. Controllare che la targhetta identificativa e l'adesivo di avvertenza siano in buone condizioni.
15. Può essere utilizzato solo per la manutenzione dell'auto e non per altri scopi.

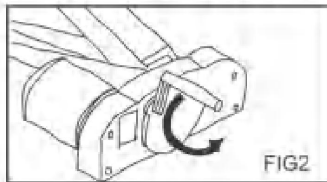
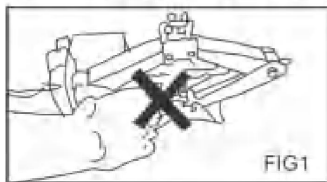
ATTENZIONE: il peso massimo del veicolo è di 3T!

WARNING

Please pay special attention to the following position which may nip your finger.(FIG1)

ATTENTION

If the electric jack can not work after the car be lifted ,you can insert the hand crank into the cover into the cover of gear box to lower the electric jack (FIG2)



1) Advantages

The machine is with the fashion and beautiful design, and adopts the advanced electric machinery technology. It is low noise, quick speeding, stable lifting performance and so on.

Considering the safety, the machine designs self-locking power structure and Emergency cranking function

That is to say: when the power has been disconnected, the lifted jack will not fall, only re-connecting the power, the jack will go on working, or using the hand wrench to fall the car, which will protect the operator's personal safety effectively.

The machine is widely used for Family Car, Go-anywhere Vehicle, Multi-Purpose Vehicle.

2) Operation Instructions

Warning :please follow the OPERATION MANUAL strictly.

1. When changing tire in an emergency case, warning light up, please park the car on a firm, rigid and flat ground (no more than 6 degrees), pull the brakes, stabilize the tires with tire pads or other anti-skid materials, to make sure the vehicle has been locked safely.

2. The electric lifting jack is connected to the 12V power supply by two ways:

(1) Connected by the cigarette lighter: The lighter plug cable into the car cigarette lighter, the other end of the electric jack into the socket on the control handle. (Note: the cigarette lighter fuse rated current of not less than 12A).

(2) (Recommended) Connected by Vehicle battery directly. When fuse current is less than the fuse within the cigarette lighter, 12A, the lighter plug cord into the cigarette lighter socket with one end of the battery clip, and the clip sandwiching battery red "+" on the (positive) black clip and battery "-" (negative electrode) is connected, and then the other end into the cigarette lighter plug socket on the electric lifting jack control handle. (At this time, the engine of the vehicle should be in working condition).

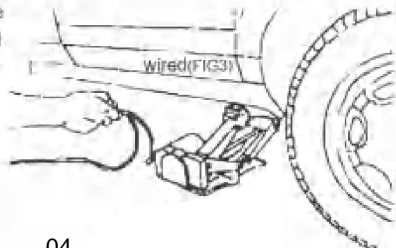
3. The saddle of the electric car jack should be placed against the right bottom of the car .

4. Press " ^ " on the switchboard and confirm that the saddle is connected with the right bottom position of the car press " ^ " continuously till the car is jacked to and ideal height. (FIG3)

5. Press " v " on the switchboard to lower the car completely after preparing .

6. Press " v " on the switchboard to adjust the position of the electric car jack when the saddle is not touched on the right bottom position of the car

7. Of course the electric car jack you bought also is equipped with wireless remote control function, you also could select the wireless remote control to operate the rising and descending tasks (the distance within 10m)

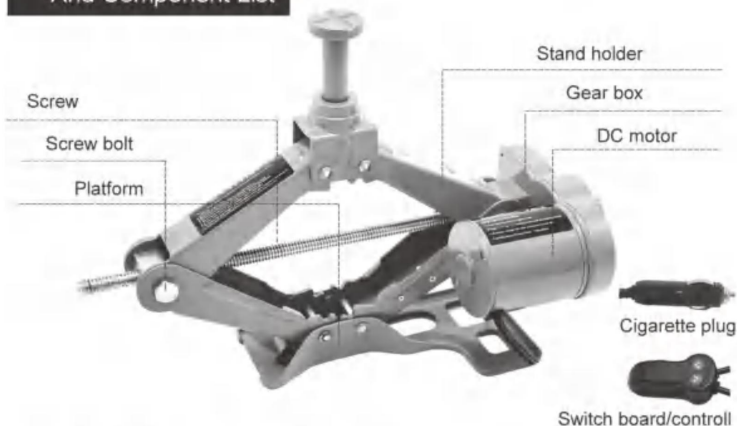


8. Counter-clockwise turning will lower the jack easily when no power supply.

3) Technical Data

| Modello | Ingresso Voltaggio | Valutare Attuale | Valutare Energia | Peso massimo del veicolo caricabile | Sollevamento Suonato | Fusibile | Lavorando Temperatura |
|---------|-----------------------|---------------------|---------------------|--|-------------------------|----------|--------------------------|
| ZS3SJ | DC12V 15A | 180W | | 3T | 12-37/ 15A -20 ~ +70 | 17-42cm | |

4) Assembly Sketch And Component List



HOW TO REPLACE THE FUSE IN THE 12V PLUG

- 1.To replace the fuse in the plug,twist off the upper cover.
- 2.Remove the faulty fuse and insert a new one.
- 3.Twist the cover back on the plug. A spare fuse is enclosed in the case.



5) Operation Scope

The electric car jack is used for cars.

6) Operation Environment

The electric car jack is applicable below 5000m sea level and from -20°C to 70°C under natural temperature, it is prohibited to be operated under the circumstances and magnetic and explosive fields.

7) Operation Duration

It is 2 years.

8) Maintenance

The electric car jack must be maintained and repaired by professionals according to the OPERATION MANUAL

1. Put lubricant on the screw bolt of electric car jack periodically.
2. Keep it clean and dry after operation.
3. Any change in the structure, which might affect its safety is forbidden.

9) Storage

It is stored under the temperature from 0-70°C with humidity less than 70%. To avoid severe collision, upside down and water during transportation

10) Trouble Analysis

| Trouble | Causes | Measure |
|--|---------------------------------|---|
| The electric jack dose not work or the car cannot be jacked up.. | A.Overloaded | A.Reduce the weight |
| | B.No electricity in the lighter | B.Check it or insert the plug correctly |
| | C.Fuse is broken | C.Chang a good fuse |

Contenuto della confezione

| NO. | Nome | Quantità 1 |
|-----|---|------------|
| 1 | Cric elettrico a forbice | |
| 2 | Testa superiore | 1 |
| 3 | lunga Testa | 1 |
| 4 | superiore corta Linea elettrica (3,5 m) | 1 |
| 5 | Leva a bilanciere manuale | 1 |
| 6 | Filo fusibile | 3 |
| 7 | Guanto | 1 |
| 8 | Morsetto per batteria | 1 |
| 9 | Custodia per il trasporto | 1 |
| 10 | Manuale d'uso | 1 |

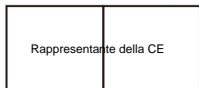
Produttore: Jinyun Zhaoshi Tool Co., Ltd Aggiungi:
 231 Xianmu West Road, città di Huzhen, contea di
 Jinyun, città di Lishui, provincia di Zhejiang, Cina

Importatore UE: WAITCHX

Indirizzo: 250 bis Boulevard Saint-Germain, 75007 Parigi, Francia

Importatore del Regno Unito: FREE MOOD LTD

Indirizzo: 2 Holywell Lane, Londra, Inghilterra, EC2A 3ET



EUREP GmbH

Via Unterletten 1a, 85051

Ingolstadt, Germania



EUREP UK LTD

UNITÀ 2264, 100 OCK STREET, ABINGDON

OXFORDSHIRE INGHILTERRA OX14 5DH

MADE IN CHINA

GATO DE TIJERA ELÉCTRICO
MANUAL DEL USUARIO

GATO DE TIJERA ELÉCTRICO

MANUAL DEL USUARIO

Modelo: ZS3SJ





Advertencia de seguridad

1. Lea atentamente el "MANUAL DE FUNCIONAMIENTO" y comprenda todas las instrucciones.
Antes de la operación.
2. No mueva el automóvil mientras el gato eléctrico esté funcionando; verifique el estado de funcionamiento con cuidado.
3. Está prohibida la operación de sobrecarga sin otros dispositivos de seguridad.
4. El gato eléctrico para automóvil debe colocarse únicamente sobre una superficie lisa y sólida. Mantenga su cuerpo alejado del automóvil mientras el gato eléctrico esté funcionando.
5. El gato eléctrico para automóvil no es adecuado para un funcionamiento continuo y prolongado debido a que es una máquina.
6. Está prohibido levantar a la persona.
7. No revise la máquina para evitar destruirla y perder el derecho de uso.
Garantizar.
8. Al tomar energía directamente de la batería del vehículo (fuente de alimentación de 12 V CC) con el clip de la batería, debe prestar más atención a lo positivo y lo negativo, no puede estar mal, de lo contrario quemará la manija del control remoto del gato de elevación eléctrico.
9. No lo utilice durante mucho tiempo. Cuando no lo utilice, corte la energía.
10. Evite que la máquina caiga al agua y se utilice en malas condiciones.
11. Verifique que la potencia coincida bien con el encendedor de cigarrillos del automóvil de 12 V antes de usarlo.
12. Tenga en cuenta que el piso sea liso y que tenga capacidad de carga al usarlo. También preste atención a encontrar la posición de carga exacta del automóvil antes de la operación de elevación.
13. No sobrecargue la máquina al utilizarla, asegúrese de mantenerla en posición vertical al levantarla.
Al mismo tiempo, nunca conduzca el coche de forma oblicua.
14. Compruebe si la placa de identificación y la pegatina de indicación de advertencia están en buenas condiciones.
15. Solo se puede utilizar para el mantenimiento del vehículo, no para otros fines.

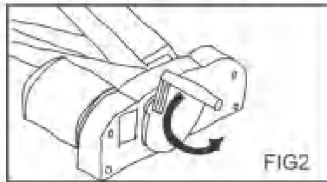
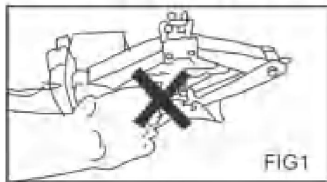
PRECAUCIÓN: ¡El peso máximo de carga del modelo es 3T!

WARNING

Please pay special attention to the following position which may nip your finger.(FIG1)

ATTENTION

If the electric jack can not work after the car be lifted ,you can insert the hand crank into the cover into the cover of gear box to lower the electric jack (FIG2)



1) Advantages

The machine is with the fashion and beautiful design, and adopts the advanced electric machinery technology. It is low noise, quick speeding, stable lifting performance and so on.

Considering the safety, the machine designs self-locking power structure and Emergency cranking function

That is to say: when the power has been disconnected, the lifted jack will not fall, only re-connecting the power, the jack will go on working, or using the hand wrench to fall the car, which will protect the operator's personal safety effectively.

The machine is widely used for Family Car, Go-anywhere Vehicle, Multi-Purpose Vehicle.

2) Operation Instructions

Warning :please follow the OPERATION MANUAL strictly.

1. When changing tire in an emergency case, warning light up, please park the car on a firm, rigid and flat ground (no more than 6 degrees), pull the brakes, stabilize the tires with tire pads or other anti-skid materials, to make sure the vehicle has been locked safely.

2. The electric lifting jack is connected to the 12V power supply by two ways:

(1) Connected by the cigarette lighter: The lighter plug cable into the car cigarette lighter, the other end of the electric jack into the socket on the control handle. (Note: the cigarette lighter fuse rated current of not less than 12A).

(2) (Recommended) Connected by Vehicle battery directly. When fuse current is less than the fuse within the cigarette lighter, 12A, the lighter plug cord into the cigarette lighter socket with one end of the battery clip, and the clip sandwiching battery red "+" on the (positive) black clip and battery "-" (negative electrode) is connected, and then the other end into the cigarette lighter plug socket on the electric lifting jack control handle. (At this time, the engine of the vehicle should be in working condition).

3. The saddle of the electric car jack should be placed against the right bottom of the car .

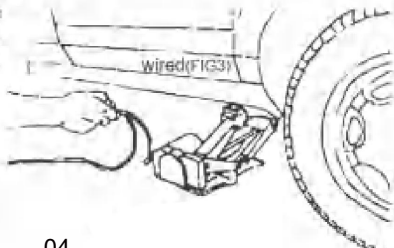
4. Press " ^ " on the switchboard and confirm that the saddle is connected with the right bottom position of the car press " ^ " continuously till the car is jacked to and ideal height. (FIG3)

5. Press " v " on the switchboard to lower the car completely after preparing .

6. Press " v " on the switchboard to adjust the position of the electric car jack when the saddle is not touched on the right bottom position of the car

7. Of course the electric car jack you bought also is equipped with wireless remote control function, you also could select the wireless remote control to operate the rising and descending tasks (the distance within 10m)

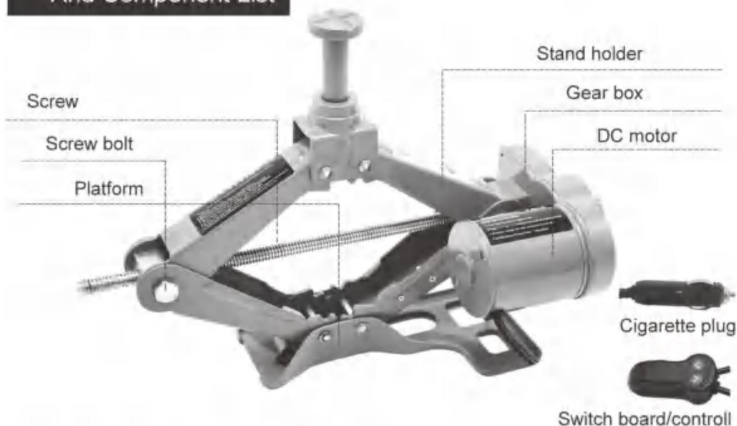
8. Counter-clockwise turning will lower the jack easily when no power supply



3) Technical Data

| Modelo | Aporte Voltaje | Tasa Actual | Tasa Fuerza | Peso máximo de carga del vehículo | Levantamiento Sonó | Fusible | Laboral Temperatura |
|--------|----------------|-------------|-------------|-----------------------------------|--------------------|-----------|---------------------|
| ZS3SJ | 12 V CC, | 15 A, 180 W | | 3T | 12-37/15 A | -20 ~ +70 | 17-42 cm |

4) Assembly Sketch And Component List



HOW TO REPLACE THE FUSE IN THE 12V PLUG

- 1.To replace the fuse in the plug,twist off the upper cover.
- 2.Remove the faulty fuse and insert a new one.
- 3.Twist the cover back on the plug. A spare fuse is enclosed in the case.



5) Operation Scope

The electric car jack is used for cars.

6) Operation Environment

The electric cart jack is applicable below 5000m sea level and from -20°C to 70°C under natural temperature, it is prohibited to be operated under the circumstances and magnetic and explosive fields.

7) Operation Duration

It is 2 years.

8) Maintenance

The electric cart jack must be maintained and repaired by professionals according to the OPERATION MANUAL

1. Put lubricant on the screw bolt of electric car jack periodically.
2. Keep it clean and dry after operation.
3. Any change in the structure, which might affect its safety is forbidden.

9) Storage

It is stored under the temperature from 0-70°C with humidity less than 70%. To avoid severe collision, upside down and water during transportation

10) Trouble Analysis

| Trouble | Causes | Measure |
|--|---------------------------------|---|
| The electric jack dose not work or the car cannot be jacked up.. | A.Overloaded | A.Reduce the weight |
| | B.No electricity in the lighter | B.Check it or insert the plug correctly |
| | C.Fuse is broken | C.Chang a good fuse |

Contenido del paquete

| No. | Nombre | Cantidad 1 |
|-----|-------------------------------------|------------|
| 1 | Gato de tijera eléctrico | |
| 2 | Cabezal superior | 1 |
| 3 | largo Cabezal superior | 1 |
| 4 | corto Cable de alimentación (3,5 m) | 1 |
| 5 | Palanca basculante manual | 1 |
| 6 | Cable fusible | 3 |
| 7 | Guante | 1 |
| 8 | Clip de batería | 1 |
| 9 | Estuche de transporte | 1 |
| 10 | Manual de usuario | 1 |

Fabricante: Jinyun Zhaoshi Tool Co., Ltd Dirección: 231
Xianmu West Road, ciudad de Huzhen, condado de Jinyun,
ciudad de Lishui, provincia de Zhejiang, China

Importador de la UE: WAITCHX

Dirección: 250 bis Boulevard Saint-Germain, 75007 París, Francia

Importador del Reino Unido: FREE MOOD LTD

Dirección: 2 Holywell Lane, Londres, Inglaterra, EC2A 3ET

| | |
|---------------|----|
| REPRESENTANTE | CE |
|---------------|----|

EUREP GmbH

Calle Unterletten 1a, 85051

Ingolstadt, Alemania

| | |
|---------------|-----------------|
| REPRESENTANTE | DEL REINO UNIDO |
|---------------|-----------------|

EUREP Reino Unido Ltd.

UNIDAD 2264, CALLE OCK 100, ABINGDON

OXFORDSHIRE INGLATERRA OX14 5DH

HECHO EN CHINA

Podnośnik nożycowy elektryczny
INSTRUKCJA OBSŁUGI

Podnośnik nożycowy elektryczny

INSTRUKCJA OBSŁUGI

Model: ZS3SJ





Ostrzeżenie dotyczące bezpieczeństwa

1. Przeczytaj uważnie „INSTRUKCJĘ OBSŁUGI” i zrozum wszystkie polecenia. przed operacją.
2. Nie przesuwaj samochodu, gdy podnośnik elektryczny jest włączony i dokładnie sprawdź jego stan.
3. Zabrania się przeładowywania bez zastosowania innych urządzeń zabezpieczających.
4. Podnośnik samochodowy elektryczny należy ustawiać wyłącznie na gładkim i twardym podłożu. Podczas pracy podnośnika samochodowego należy trzymać ciało z dala od samochodu.
5. Podnośnik samochodowy elektryczny nie nadaje się do długiej, ciągłej pracy ze względu na swoją konstrukcję.
6. Zabrania się podnoszenia osoby.
7. Nie dokonuj przeglądu maszyny, aby uniknąć jej zniszczenia i utraty prawa do użytkowania.
Gwarancja.
8. Podczas pobierania zasilania bezpośrednio z akumulatora pojazdu (zasilanie 12 V DC) za pomocą zacisku akumulatora, należy zwrócić szczególną uwagę na bieguny dodatnie i ujemne, ponieważ nie mogą się one pomylić, w przeciwnym razie dojdzie do spalenia uchwytu zdalnego sterowania podnośnika elektrycznego.
9. Nie należy pracować przez dłuższy czas, a jeśli nie jest używane, należy odłączyć zasilanie.
10. Unikaj wpadania urządzenia do wody i używania go w złym stanie.
11. Przed użyciem sprawdź, czy zasilanie jest zgodne z gniazdem zapalniczki samochodowej 12 V.
12. Podczas użytkowania należy zwrócić uwagę na gładką podłogę i ładowność, a przed operacją podnoszenia zwrócić uwagę na dokładne ustawienie samochodu w odpowiedniej pozycji.
13. Nie przeciążaj maszyny podczas jej użytkowania, upewnij się, że trzymasz ją w pozycji pionowej podczas podnoszenia. samochodu w tym samym czasie, nigdy nie prowadź go w pozycji pochylonej.
14. Sprawdź, czy tabliczka znamionowa i naklejka ostrzegawcza są w dobrym stanie.
15. Można go używać wyłącznie do konserwacji samochodu, nie wolno go używać do innych celów.

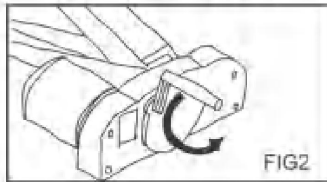
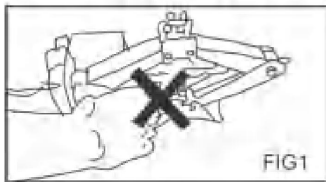
UWAGA: Maksymalna masa ładunku w samochodzie wynosi 3T!

WARNING

Please pay special attention to the following position which may nip your finger.(FIG1)

ATTENTION

If the electric jack can not work after the car be lifted ,you can insert the hand crank into the cover into the cover of gear box to lower the electric jack (FIG2)



1) Advantages

The machine is with the fashion and beautiful design, and adopts the advanced electric machinery technology. It is low noise, quick speeding, stable lifting performance and so on.

Considering the safety, the machine designs self-locking power structure and Emergency cranking function

That is to say: when the power has been disconnected, the lifted jack will not fall, only re-connecting the power, the jack will go on working, or using the hand wrench to fall the car, which will protect the operator's personal safety effectively.

The machine is widely used for Family Car, Go-anywhere Vehicle, Multi-Purpose Vehicle.

2) Operation Instructions

Warning :please follow the OPERATION MANUAL strictly.

1. When changing tire in an emergency case, warning light up, please park the car on a firm, rigid and flat ground (no more than 6 degrees), pull the brakes, stabilize the tires with tire pads or other anti-skid materials, to make sure the vehicle has been locked safely.

2. The electric lifting jack is connected to the 12V power supply by two ways:

(1) Connected by the cigarette lighter: The lighter plug cable into the car cigarette lighter, the other end of the electric jack into the socket on the control handle. (Note: the cigarette lighter fuse rated current of not less than 12A).

(2) (Recommended) Connected by Vehicle battery directly. When fuse current is less than the fuse within the cigarette lighter, 12A, the lighter plug cord into the cigarette lighter socket with one end of the battery clip, and the clip sandwiching battery red "+" on the (positive) black clip and battery "-" (negative electrode) is connected, and then the other end into the cigarette lighter plug socket on the electric lifting jack control handle. (At this time, the engine of the vehicle should be in working condition).

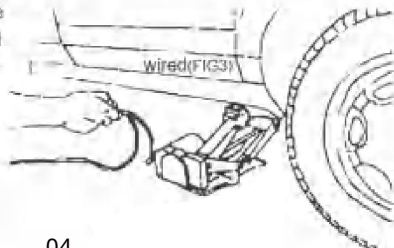
3. The saddle of the electric car jack should be placed against the right bottom of the car .

4. Press " ^ " on the switchboard and confirm that the saddle is connected with the right bottom position of the car press " ^ " continuously till the car is jacked to and ideal height. (FIG3)

5. Press " v " on the switchboard to lower the car completely after preparing .

6. Press " v " on the switchboard to adjust the position of the electric car jack when the saddle is not touched on the right bottom position of the car

7. Of course the electric car jack you bought also is equipped with wireless remote control function, you also could select the wireless remote control to operate the rising and descending tasks (the distance within 10m)

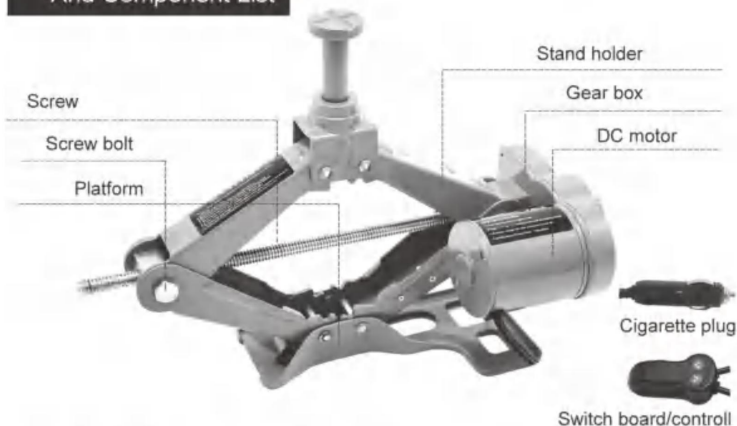


8. Counter-clockwise turning will lower the jack easily when no power supply

3) Technical Data

| Model | Wejście Woltaż | Wskaźnik Aktualny | Wskaźnik Moc | Maksymalna masa samochodu załadunkowego | Podnoszenie Dzwonić | Bezpiecznik | Pracujący Temperatura |
|-------|-------------------|----------------------|-----------------|--|------------------------|-------------|--------------------------|
| ZS3SJ | Prąd stały 12V | 15A | 180W | 3T | 12-37/ 15A | 20 ~ +70°C | 17-42cm |

4) Assembly Sketch And Component List



HOW TO REPLACE THE FUSE IN THE 12V PLUG

- 1.To replace the fuse in the plug,twist off the upper cover.
- 2.Remove the faulty fuse and insert a new one.
- 3.Twist the cover back on the plug. A spare fuse is enclosed in the case.



5) Operation Scope

The electric car jack is used for cars.

6) Operation Environment

The electric car jack is applicable below 5000m sea level and from -20°C to 70°C under natural temperature, it is prohibited to be operated under the circumstances and magnetic and explosive fields.

7) Operation Duration

It is 2 years.

8) Maintenance

The electric car jack must be maintained and repaired by professionals according to the OPERATION MANUAL

1. Put lubricant on the screw bolt of electric car jack periodically.
2. Keep it clean and dry after operation.
3. Any change in the structure, which might affect its safety is forbidden.

9) Storage

It is stored under the temperature from 0-70°C with humidity less than 70%. To avoid severe collision, upside down and water during transportation

10) Trouble Analysis

| Trouble | Causes | Measure |
|--|---------------------------------|---|
| The electric jack dose not work or the car cannot be jacked up.. | A.Overloaded | A.Reduce the weight |
| | B.No electricity in the lighter | B.Check it or insert the plug correctly |
| | C.Fuse is broken | C.Chang a good fuse |

Zawartość opakowania

| NIE. | Nazwa | Ilość 1 |
|------|--|---------|
| 1 | Podnośnik nożycowy | |
| 2 | elektryczny Długa | 1 |
| 3 | głowica górna Krótka | 1 |
| 4 | głowica górna Linia energetyczna (3,5 m) | 1 |
| 5 | Dźwignia kołyskowa ręczna | 1 |
| 6 | Przewód bezpiecznikowy | 3 |
| 7 | Rękawica | 1 |
| 8 | Zacisk baterii | 1 |
| 9 | Etui transportowe | 1 |
| 10 | Instrukcja obsługi | 1 |

Producent: Jinyun Zhaoshi Tool Co., Ltd. Dodaj: 231
 Xianmu West Road, Huzhen Town, Jinyun County, Lishui
 City, prowincja Zhejiang, Chiny

Importer z UE: WAITCHX

Adres: 250 bis Boulevard Saint-Germain, 75007 Paryż, Francja

Importer z Wielkiej Brytanii: FREE MOOD LTD

Adres: 2 Holywell Lane, Londyn, Anglia, EC2A 3ET

| | |
|-------------------|--|
| Przedstawiciel UE | |
|-------------------|--|

EUREP GmbH

Droga podmiejska 1a, 85051

Ingolstadt, Niemcy

| | |
|-----------------------|--|
| REP WIELKIEJ BRYTANII | |
|-----------------------|--|

EUREP UK LTD

JEDNOSTKA 2264, 100 OCK STREET, ABINGDON

OXFORDSHIRE ANGLIA OX14 5DH

WYKONANO W CHINACH

ELEKTRISCHE SCHAARKRIK

GEBRUIKERSHANDLEIDING

ELEKTRISCHE SCHAARKRIK

GEBUIKERSHANDLEIDING

Model: ZS3SJ





Veiligheidswaarschuwing

1. Lees de "GEBRUIKSAANWIJZING" zorgvuldig door en zorg dat u alle instructies begrijpt. vóór de operatie.
2. Verplaats de auto niet terwijl de elektrische krik in werking is. Zorg ervoor dat de krik goed werkt.
3. Overbelasting is verboden, tenzij er andere veiligheidsvoorzieningen aanwezig zijn.
4. Plaats de elektrische krik alleen op een vlakke en stevige ondergrond. Houd uw lichaam uit de buurt van de auto terwijl de elektrische krik in werking is.
5. De elektrische krik is niet geschikt voor langdurig continu gebruik vanwege het type machine.
6. Het is verboden de persoon op te tillen.
7. Voer geen revisies uit aan de machine om te voorkomen dat de machine kapotgaat en het recht op Garantie.
8. Wanneer u de stroom rechtstreeks van de accu van het voertuig haalt (12V DC-voeding) met de accuklem, moet u goed opletten op de plus- en minpunten. Er mag niets misgaan, anders brandt de elektrische hefkrick-afstandsbedieningshendel door.
9. Gebruik het apparaat niet te lang. Schakel de stroom uit als u het niet gebruikt.
10. Zorg ervoor dat het apparaat niet in het water valt en niet in slechte staat wordt gebruikt.
11. Controleer of het vermogen overeenkomt met de 12V-sigarettenaansteker in de auto voordat u het gebruikt.
12. Let bij het gebruik op de gladde vloer en het laadvermogen. Let ook op het vinden van de exacte laadpositie van de auto voordat u met het heffen begint.
13. Overbelast de machine niet bij gebruik, zorg ervoor dat u rechtop blijft met het heffen. Rijd nooit schuin met de auto.
14. Controleer of het naamplaatje en de waarschuwingssticker in goede staat zijn.
15. Het mag alleen gebruikt worden voor auto-onderhoud, niet voor andere doeleinden.

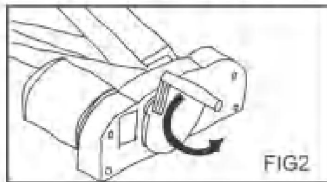
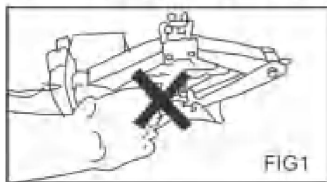
LET OP: Het maximale laadgewicht van de wagen is 3T!

WARNING

Please pay special attention to the following position which may nip your finger.(FIG1)

ATTENTION

If the electric jack can not work after the car be lifted ,you can insert the hand crank into the cover into the cover of gear box to lower the electric jack (FIG2)



1) Advantages

The machine is with the fashion and beautiful design, and adopts the advanced electric machinery technology. It is low noise, quick speeding, stable lifting performance and so on.

Considering the safety, the machine designs self-locking power structure and Emergency cranking function

That is to say: when the power has been disconnected, the lifted jack will not fall, only re-connecting the power, the jack will go on working, or using the hand wrench to fall the car, which will protect the operator's personal safety effectively.

The machine is widely used for Family Car, Go-anywhere Vehicle, Multi-Purpose Vehicle.

2) Operation Instructions

Warning :please follow the OPERATION MANUAL strictly.

1. When changing tire in an emergency case, warning light up, please park the car on a firm, rigid and flat ground (no more than 6 degrees), pull the brakes, stabilize the tires with tire pads or other anti-skid materials, to make sure the vehicle has been locked safely.

2. The electric lifting jack is connected to the 12V power supply by two ways:

(1) Connected by the cigarette lighter: The lighter plug cable into the car cigarette lighter, the other end of the electric jack into the socket on the control handle. (Note: the cigarette lighter fuse rated current of not less than 12A).

(2) (Recommended) Connected by Vehicle battery directly. When fuse current is less than the fuse within the cigarette lighter, 12A, the lighter plug cord into the cigarette lighter socket with one end of the battery clip, and the clip sandwiching battery red "+" on the (positive) black clip and battery "-" (negative electrode) is connected, and then the other end into the cigarette lighter plug socket on the electric lifting jack control handle. (At this time, the engine of the vehicle should be in working condition).

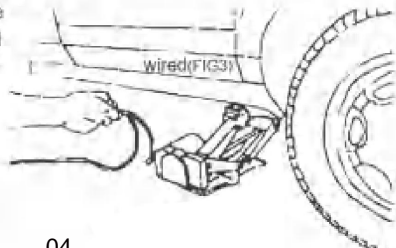
3. The saddle of the electric car jack should be placed against the right bottom of the car .

4. Press " ^ " on the switchboard and confirm that the saddle is connected with the right bottom position of the car press " ^ " continuously till the car is jacked to and ideal height. (FIG3)

5. Press " v " on the switchboard to lower the car completely after preparing .

6. Press " v " on the switchboard to adjust the position of the electric car jack when the saddle is not touched on the right bottom position of the car

7. Of course the electric car jack you bought also is equipped with wireless remote control function, you also could select the wireless remote control to operate the rising and descending tasks (the distance within 10m)

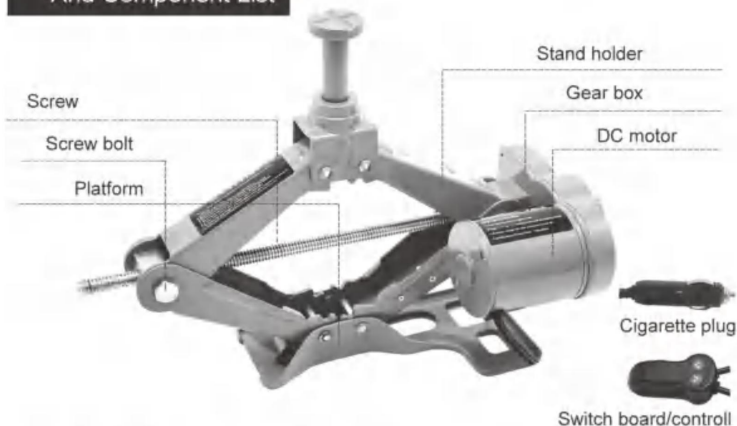


8. Counter-clockwise turning will lower the jack easily when no power supply.

3) Technical Data

| Model | Invoer Spanning | Tarief Huidig | Tarief Stroom | Max. laadgewicht auto | Tillen Belde | Samenstellen | Werken Temperatuur |
|-------|-----------------|---------------|---------------|-----------------------|----------------------|--------------|--------------------|
| ZS3SJ | DC12V 15A 180W | | | 3T | 12-37/ 15A -20 ~ +70 | 17-42cm | |

4) Assembly Sketch And Component List



HOW TO REPLACE THE FUSE IN THE 12V PLUG

- 1.To replace the fuse in the plug,twist off the upper cover.
- 2.Remove the faulty fuse and insert a new one.
- 3.Twist the cover back on the plug. A spare fuse is enclosed in the case.



5) Operation Scope

The electric car jack is used for cars.

6) Operation Environment

The electric car jack is applicable below 5000m sea level and from -20°C to 70°C under natural temperature, it is prohibited to be operated under the circumstances and magnetic and explosive fields.

7) Operation Duration

It is 2 years.

8) Maintenance

The electric car jack must be maintained and repaired by professionals according to the OPERATION MANUAL

1. Put lubricant on the screw bolt of electric car jack periodically.
2. Keep it clean and dry after operation.
3. Any change in the structure, which might affect its safety is forbidden.

9) Storage

It is stored under the temperature from 0-70°C with humidity less than 70%. To avoid severe collision, upside down and water during transportation

10) Trouble Analysis

| Trouble | Causes | Measure |
|--|---------------------------------|---|
| The electric jack dose not work or the car cannot be jacked up.. | A.Overloaded | A.Reduce the weight |
| | B.No electricity in the lighter | B.Check it or insert the plug correctly |
| | C.Fuse is broken | C.Chang a good fuse |

Inhoud van het pakket

| Nee. | Naam | Hoeveelheid |
|------|------------------------|-------------|
| 1 | Elektrische schaarkrik | 1 |
| 2 | Lange bovenkop | 1 |
| 3 | Korte bovenkop | 1 |
| 4 | Stroomkabel (3,5 m) | 1 |
| 5 | Handtuimelaar hendel | 1 |
| 6 | Zekering draad | 3 |
| 7 | Handschoen | 1 |
| 8 | Batterijclip | 1 |
| 9 | Draagtas | 1 |
| 10 | Gebruiksaanwijzing | 1 |

Fabrikant: Jinyun Zhaoshi Tool Co., Ltd. Toevoegen:
 231 Xianmu West Road, Huzhen Town, Jinyun County,
 Lishui City, provincie Zhejiang, China

EU-importeur: WAITCHX

Adres: 250 bis Boulevard Saint-Germain, 75007 Parijs, Frankrijk

Importeur uit het Verenigd Koninkrijk: FREE MOOD LTD

Adres: 2 Holywell Lane, Londen, Engeland, EC2A 3ET



EUREP GmbH

Onderlettenweg 1a, 85051

Ingolstadt, Duitsland



EUREP VK LTD

EENHEID 2264, 100 OCK STREET, ABINGDON

OXFORDSHIRE ENGELAND OX14 5DH

Gemaakt in China

ELEKTRISKT SAXJACK

ANVÄNDARMANUAL

ELEKTRISKT SAXJACK

ANVÄNDARMANUAL

Modell: ZS3SJ





Säkerhetsvarning

1. Läs "BRUKSANVISNING" noggrant och förstå alla instruktioner före operation.
2. Flytta inte bilen medan elbilsuttaget fungerar fungerar status noggrant.
3. Överlastning är förbjuden, utan andra säkerhetsanordningar.
4. Elbilens domkraft ska endast placeras på slät och fast mark. håll din kropp borta från bilen medan elbilsuttaget fungerar.
5. Elbilens domkraft är olämplig för lång kontinuerlig drift på grund av att den är maskin.
6. Det är förbjudet att lyfta personen.
7. Gör inte översyn av maskinen för att undvika att förstöra maskinen och förlora rätten till Garanti.
8. När du tar ström direkt från fordonsbatteriet (12V DC strömförsörjning) med batteriklämma, måste du vara mer uppmärksam på positiva och negativa, det kan inte vara fel, annars kommer det att brinna elektriskt lyftjack fjärrkontrollhandtag.
9. Arbeta inte under lång tid, när du inte använder, vänligen stäng av strömmen.
10. Undvik att maskinen faller i vattnet och använder den i dåligt skick.
11. Kontrollera att strömmen stämmer väl överens med 12V bilcigarettändare innan du använder den.
12. Var uppmärksam på det släta golvet och lastkapaciteten vid användning, var också uppmärksam på att hitta bilens exakta lastposition innan du lyfter.
13. Överbelasta inte när du använder maskinen, se till att hålla dig upprätt när du lyfter bilen samtidigt, kör den aldrig snett.
14. Kontrollera om namnskylden och varningsdekalen är i gott skick.
15. Den kan endast användas för bilunderhåll, inte för andra ändamål.

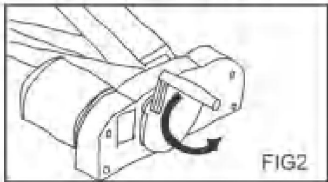
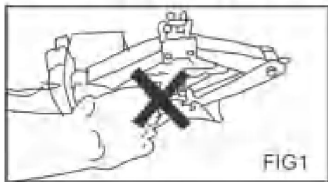
WARNING: Den maximala lastbilens vikt är 3T-modell!

WARNING

Please pay special attention to the following position which may nip your finger.(FIG1)

ATTENTION

If the electric jack can not work after the car be lifted ,you can insert the hand crank into the cover into the cover of gear box to lower the electric jack (FIG2)



1) Advantages

The machine is with the fashion and beautiful design, and adopts the advanced electric machinery technology. It is low noise, quick speeding, stable lifting performance and so on.

Considering the safety, the machine designs self-locking power structure and Emergency cranking function

That is to say: when the power has been disconnected, the lifted jack will not fall, only re-connecting the power, the jack will go on working, or using the hand wrench to fall the car, which will protect the operator's personal safety effectively.

The machine is widely used for Family Car, Go-anywhere Vehicle, Multi-Purpose Vehicle.

2) Operation Instructions

Warning :please follow the OPERATION MANUAL strictly.

1. When changing tire in an emergency case, warning light up, please park the car on a firm, rigid and flat ground (no more than 6 degrees), pull the brakes, stabilize the tires with tire pads or other anti-skid materials, to make sure the vehicle has been locked safely.

2. The electric lifting jack is connected to the 12V power supply by two ways:

(1) Connected by the cigarette lighter: The lighter plug cable into the car cigarette lighter, the other end of the electric jack into the socket on the control handle. (Note: the cigarette lighter fuse rated current of not less than 12A).

(2) (Recommended) Connected by Vehicle battery directly. When fuse current is less than the fuse within the cigarette lighter, 12A, the lighter plug cord into the cigarette lighter socket with one end of the battery clip, and the clip sandwiching battery red "+" on the (positive) black clip and battery "-" (negative electrode) is connected, and then the other end into the cigarette lighter plug socket on the electric lifting jack control handle. (At this time, the engine of the vehicle should be in working condition).

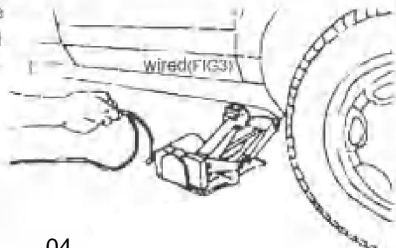
3. The saddle of the electric car jack should be placed against the right bottom of the car .

4. Press " ^ " on the switchboard and confirm that the saddle is connected with the right bottom position of the car press " ^ " continuously till the car is jacked to and ideal height. (FIG3)

5. Press " v " on the switchboard to lower the car completely after preparing .

6. Press " v " on the switchboard to adjust the position of the electric car jack when the saddle is not touched on the right bottom position of the car

7. Of course the electric car jack you bought also is equipped with wireless remote control function, you also could select the wireless remote control to operate the rising and descending tasks (the distance within 10m)

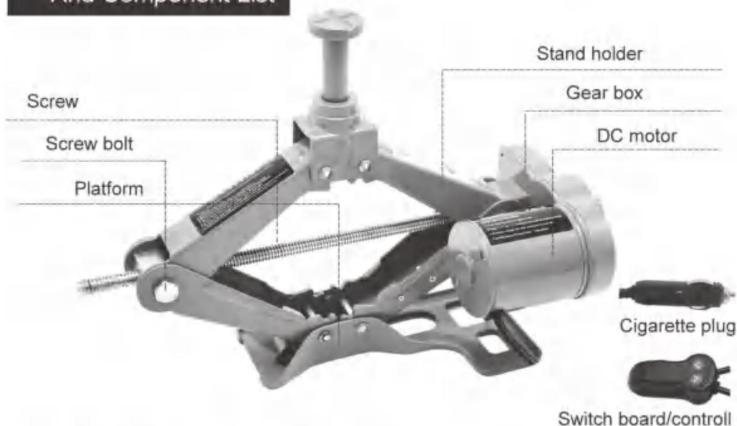


8. Counter-clockwise turning will lower the jack easily when no power supply

3) Technical Data

| Modell | Input Spänning | Hastighet Nuvarande | Hastighet Driva | Max. Lastbilsvikt | Lyft Ringde | Säkring | Arbetsätt Temperatur |
|--------|----------------|---------------------|-----------------|-------------------|----------------------|----------|----------------------|
| ZS3SJ | DC12V 15A 180W | | | 3T | 12-37/ 15A -20 ~ +70 | 17-42 cm | |

4) Assembly Sketch And Component List



HOW TO REPLACE THE FUSE IN THE 12V PLUG

- 1.To replace the fuse in the plug,twist off the upper cover.
- 2.Remove the faulty fuse and insert a new one.
- 3.Twist the cover back on the plug. A spare fuse is enclosed in the case.



5) Operation Scope

The electric car jack is used for cars.

6) Operation Environment

The electric car jack is applicable below 5000m sea level and from -20°C to 70°C under natural temperature, it is prohibited to be operated under the circumstances and magnetic and explosive fields.

7) Operation Duration

It is 2 years.

8) Maintenance

The electric car jack must be maintained and repaired by professionals according to the OPERATION MANUAL

1. Put lubricant on the screw bolt of electric car jack periodically.
2. Keep it clean and dry after operation.
3. Any change in the structure, which might affect its safety is forbidden.

9) Storage

It is stored under the temperature from 0-70°C with humidity less than 70%. To avoid severe collision, upside down and water during transportation

10) Trouble Analysis

| Trouble | Causes | Measure |
|--|---------------------------------|---|
| The electric jack dose not work or the car cannot be jacked up.. | A.Overloaded | A.Reduce the weight |
| | B.No electricity in the lighter | B.Check it or insert the plug correctly |
| | C.Fuse is broken | C.Chang a good fuse |

Paketets innehåll

| Inga. | Namn | Kvantitet |
|-------|----------------------|-----------|
| 1 | Elektriskt saxuttag | 1 |
| 2 | Långt topphuvud | 1 |
| 3 | Kort topphuvud | 1 |
| 4 | Kraftledning (3,5 m) | 1 |
| 5 | Handvipppak | 1 |
| 6 | Säkringstråd | 3 |
| 7 | Handske | 1 |
| 8 | Batteriklämma | 1 |
| 9 | Bärväska | 1 |
| 10 | Användarmanual | 1 |

Tillverkare: Jinyun Zhaoshi Tool Co.,Ltd Läggtill: 231 Xianmu West Road, Huzhen Town, Jinyun County, Lishui City, Zhejiang-provinsen, Kina

EU-importör: WAITCHX

Adress: 250 bis Boulevard Saint-Germain, 75007 Paris, Frankrike

Storbritannien importör: FREE MOOD LTD

Adress: 2 Holywell Lane, London, England, EC2A 3ET



EUREP GmbH

Unterlettenweg 1a, 85051

Ingolstadt, Tyskland



EUREP UK LTD

ENHET 2264, 100 OCK STREET, ABINGDON

OXFORDSHIRE ENGLAND OX14 5DH

GJORT I KINA

