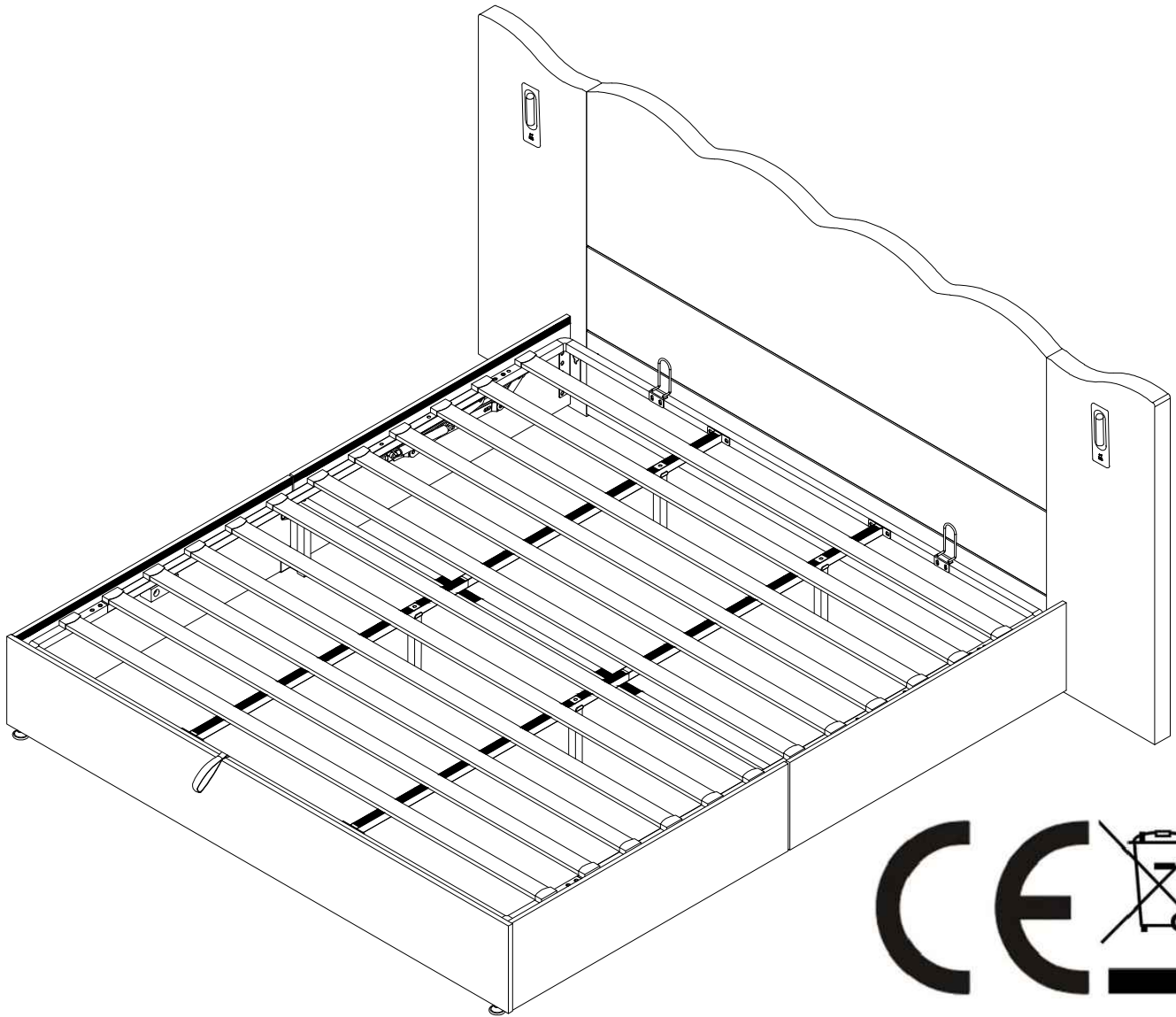


**Montageanleitung | Instructions de montage**  
**Assembly Instructions | Instrucciones de montaje**  
**SKU NUMBER: N616P227481 N616P227482**  
**N616P227483**



- GB** This set comes in 3 boxes. If you do not receive a full set of 3 boxes, please contact our customer service.
- DE** Dieses Set wird in 3 Schachteln geliefert. Wenn Sie nicht ein komplettes Set von 3 Boxen erhalten, kontaktieren Sie bitte unseren Kundenservice.
- FR** Ce set est livré en 3 boîtes. Si vous ne recevez pas un jeu complet de 3 boîtes, veuillez contacter notre service clientèle.

## English

### IMPORTANT FOR GAS LIFT BEDS&MAINTAINCE

- Please place the mattress on top of the bed frame.
- Please do not pull on the strap handles.
- Please press heavily to release the compressed gas.
- Periodically check all screw & fixings to ensure they are secure.
- When moving your product, carefully lift into place.
- Wipe clean with a slightly damp cloth- please do not use abrasive chemicals or bleach.
- Do NOT allow children to operate the lift mechanism.
- Do NOT allow children near the lift base when operating the mechanism.
- Do NOT stand inside the bed or the internal storage base.
- Do NOT overload the internal storage base.
- DO NOT jump on the product or any of its parts.

## Deutsch

### WICHTIG FÜR GASLIFT-BETTEN&WARTUNG

- Bitte legen Sie die Matratze oben auf den Bettrahmen.
- Bitte ziehen Sie nicht an den Gurtgriffen.
- Bitte drücken Sie kräftig, um das komprimierte Gas freizusetzen.
- Überprüfen Sie regelmäßig alle Schrauben und Befestigungen, um sicherzustellen, dass sie sicher sind.
- Wenn Sie Ihr Produkt bewegen, heben Sie es vorsichtig an seinen Platz.
- Mit einem leicht feuchten Tuch abwischen - bitte keine scheuernden Chemikalien oder Bleichmittel verwenden.
- Erlauben Sie Kindern NICHT, den Hebemechanismus zu bedienen.
- Lassen Sie Kinder NICHT in die Nähe des Liftsockels, wenn Sie den Mechanismus bedienen.
- Stellen Sie sich NICHT in das Bett oder in die Innenablage.
- Überlasten Sie den internen Liftsockel NICHT.
- Springen Sie NICHT auf das Produkt oder eines seiner Teile.

## Français

### IMPORTANT POUR LES LITS À RELEVAGE DE GAZ&MAINTENANCE

- Veuillez placer le matelas sur le dessus du cadre de lit.
- Ne tirez pas sur les poignées de la sangle.
- Appuyez fortement pour libérer le gaz comprimé.
- Vérifiez régulièrement que toutes les vis et fixations sont bien en place.
- Lorsque vous déplacez votre produit, soulevez-le avec précaution pour le mettre en place.
- Nettoyez avec un chiffon légèrement humide - n'utilisez pas de produits chimiques abrasifs ou d'eau de Javel.
- Ne laissez pas les enfants utiliser le mécanisme de levage.
- Ne laissez pas les enfants s'approcher de la base de levage lorsqu'ils actionnent le mécanisme.
- Ne vous tenez PAS à l'intérieur du lit ou de la base de stockage interne.
- Ne surchargez pas la base de stockage interne.
- Ne pas sauter sur le produit ou l'une de ses parties.

## Italiano

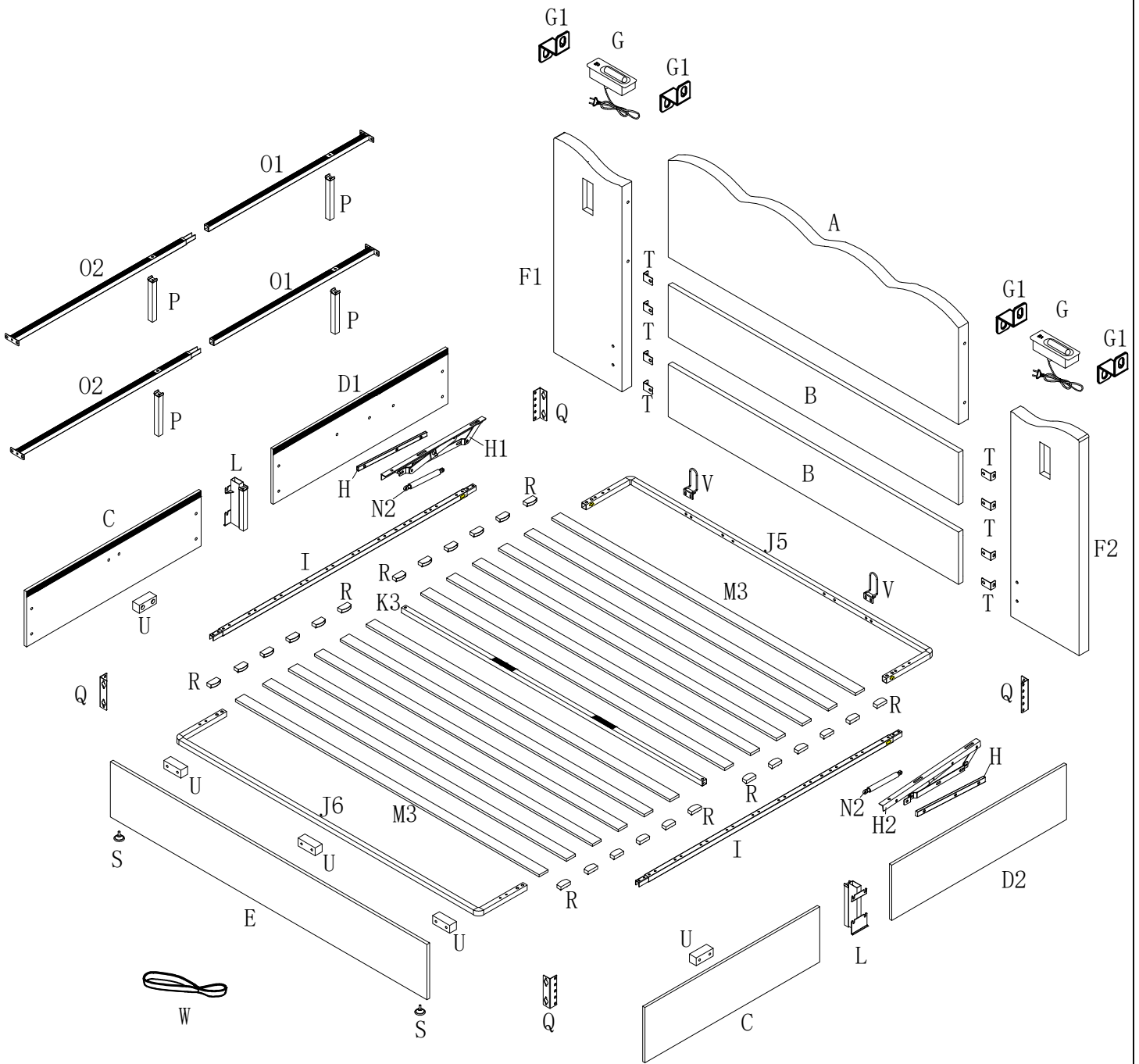
### IMPORTANTE PER I LETTI CON SOLLEVAMENTO A GAS E LA MANUTENZIONE

- Posizionare il materasso sopra la struttura del letto.
- Non tirare le maniglie della cinghia.
- Premere con forza per rilasciare il gas compresso.
- Controllare periodicamente tutte le viti e i fissaggi per assicurarsi che siano saldi.
- Quando si sposta il prodotto, sollevarlo con cautela.
- Pulire con un panno leggermente umido, senza usare prodotti chimici abrasivi o candeggina.
- NON permettere ai bambini di azionare il meccanismo di sollevamento.
- NON permettere ai bambini di avvicinarsi alla base di sollevamento quando si aziona il meccanismo.
- NON sostare all'interno del letto o della base di contenimento interna.
- NON sovraccaricare la base di contenimento interna.
- NON saltare sul prodotto o sulle sue parti.

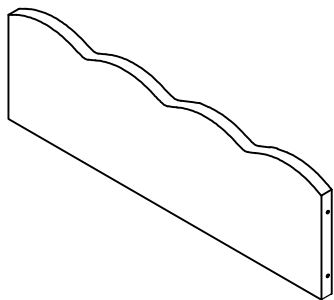
## Español

### IMPORTANTE PARA LAS CAMAS ELEVADORAS DE GAS&MANTENIMIENTO

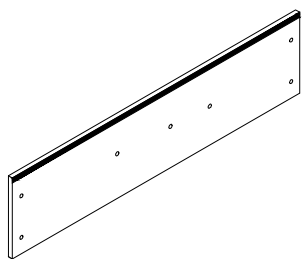
- Coloque el colchón sobre el somier.
- No tire de las asas de la correa.
- Presione con fuerza para liberar el gas comprimido.
- Compruebe periódicamente que todos los tornillos y fijaciones estén bien sujetos.
- Al mover el producto, levántelo con cuidado para colocarlo en su sitio.
- Limpie con un paño ligeramente humedecido; no utilice productos químicos abrasivos ni lejía.
- NO permita que los niños accionen el mecanismo de elevación.
- NO permita que los niños se acerquen a la base elevadora cuando accionen el mecanismo.
- NO se ponga de pie dentro de la cama o de la base de almacenamiento interna.
- NO sobrecargue el somier.
- NO salte sobre el producto ni sobre ninguna de sus piezas.



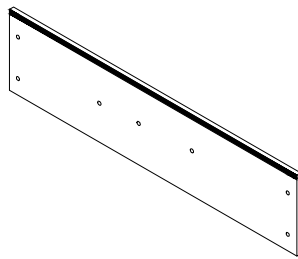
# N616P227481



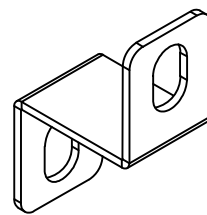
A\*1PC



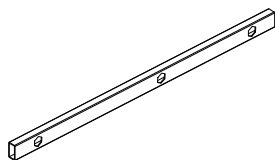
D1\*1PC



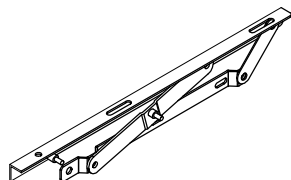
D2\*1PC



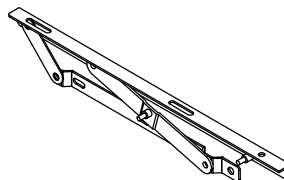
G1\*4PCS



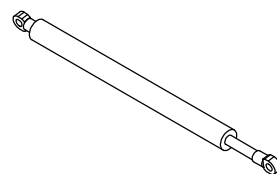
H\*2PCS



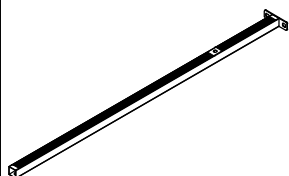
H1\*1PC



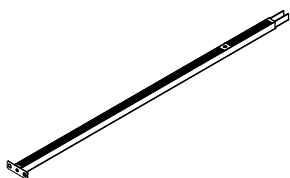
H2\*1PC



N2\*2PCS



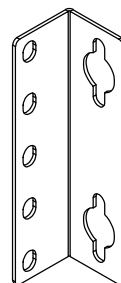
O1\*2PCS



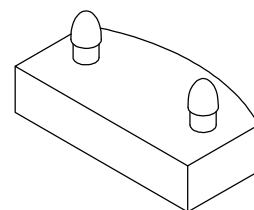
O2\*2PCS



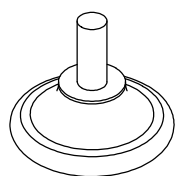
P\*4PCS



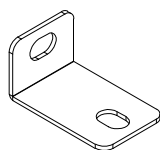
Q\*4PCS



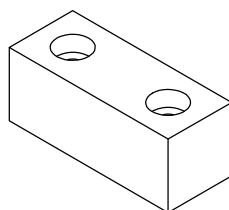
R\*24PCS



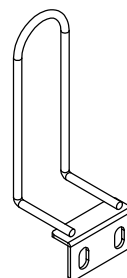
S\*2PCS



T\*8PCS



U\*5PCS

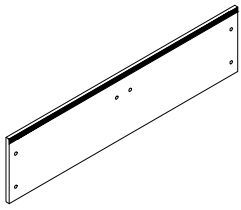


V\*2PCS

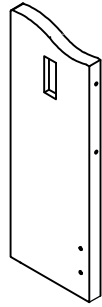


W\*1PC

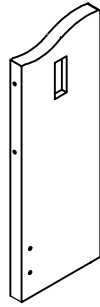
## N616P227482



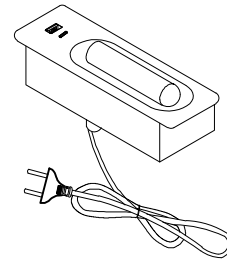
C\*2PCS



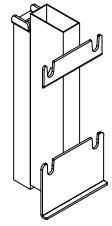
F1\*1PC



F2\*1PC

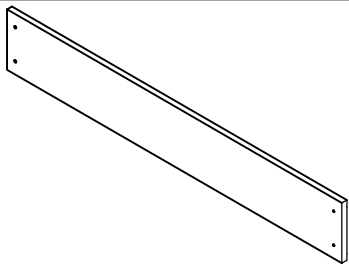


G\*2PCS

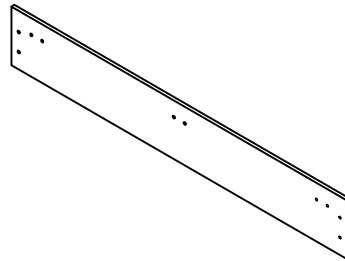


L\*2PCS

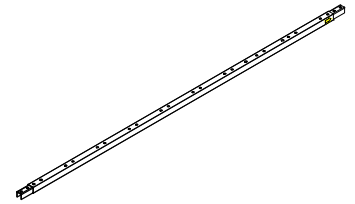
## N616P227483



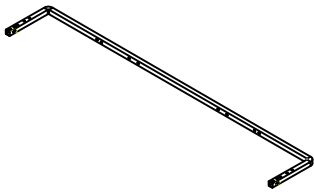
B\*2PCS



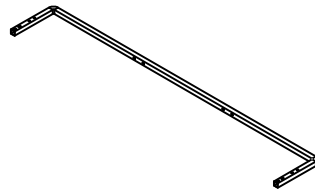
E\*1PC



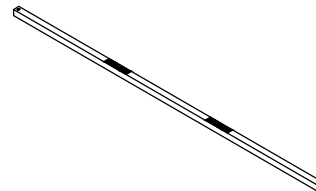
I\*2PCS



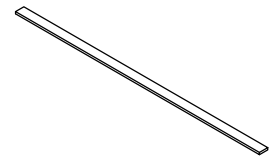
J5\*1PC



J6\*1PC

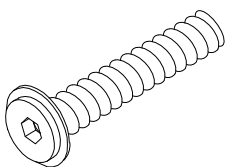


K3\*1PC

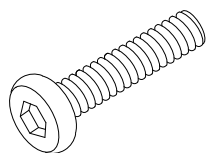


M3\*12PCS

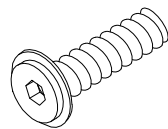
## Hardware List-Hardwareliste N616P227481



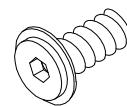
M8\*45MM  
X1\*10PCS



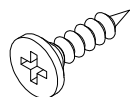
M8\*40MM  
X2\*12PCS



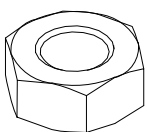
M8\*32MM  
X3\*14PCS



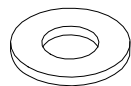
M8\*18MM  
X4\*60PCS



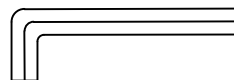
M3\*15MM  
X5\*8PCS



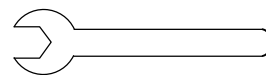
M8  
X6\*10PCS



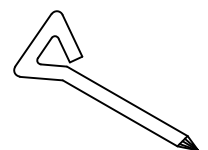
Ø22\*Ø8.5  
Y\*4PCS



M8  
Z1\*1PC



M8  
Z2\*1PC



M8  
Z3\*1PC

1

X3\*4

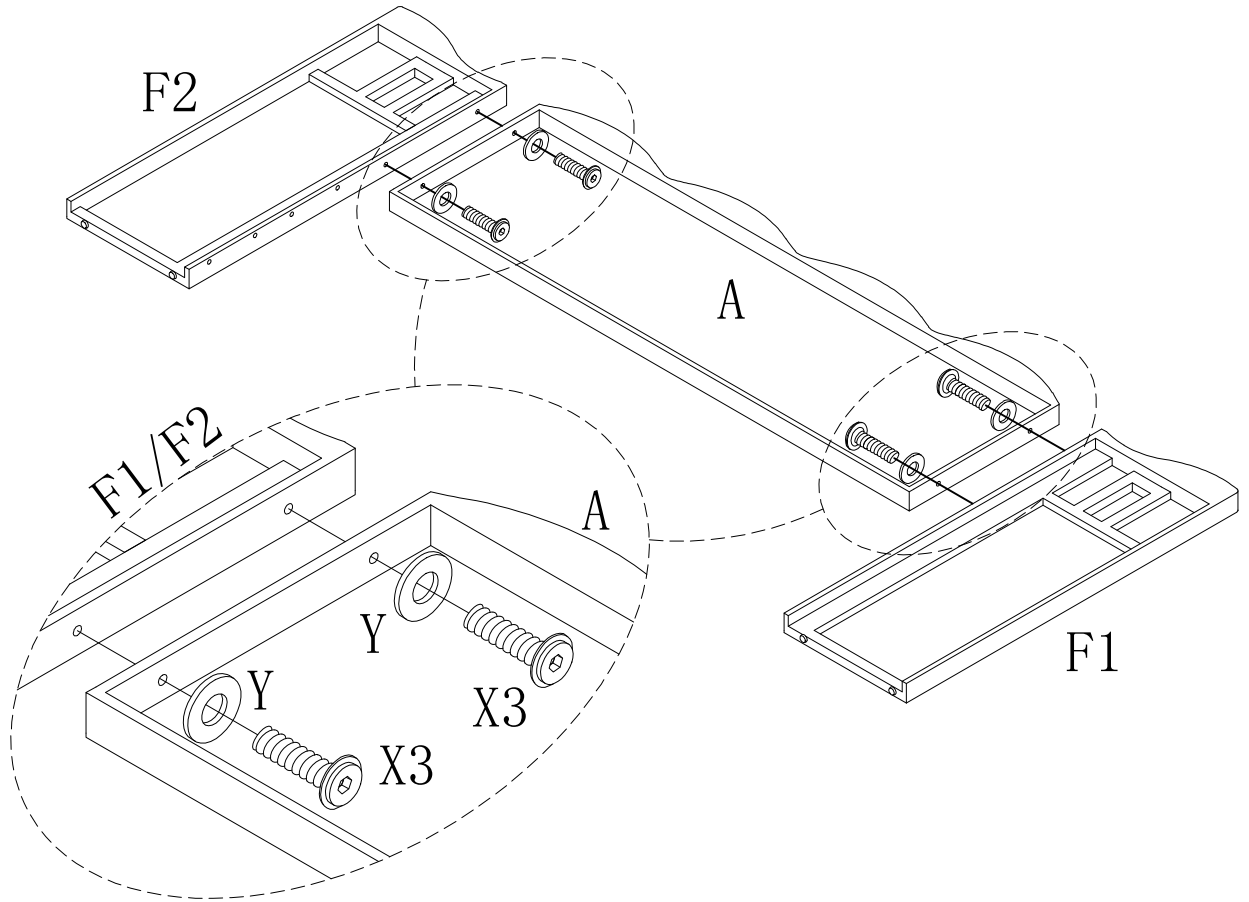


M8\*32MM

Y\*4



Ø22\*Ø8.5



2

X4\*8



M8\*18MM

Y\*4



Ø22\*Ø8.5

T\*4



M8\*18MM

X4\*8



M8\*18MM

Y\*4



Ø22\*Ø8.5

T\*4



M8\*18MM

X4\*8



M8\*18MM

Y\*4



Ø22\*Ø8.5

T\*4



M8\*18MM

X4\*8



M8\*18MM

Y\*4



Ø22\*Ø8.5

T\*4



M8\*18MM

X4\*8



M8\*18MM

Y\*4



Ø22\*Ø8.5

T\*4



M8\*18MM

X4\*8



M8\*18MM

Y\*4



Ø22\*Ø8.5

T\*4



M8\*18MM

X4\*8



M8\*18MM

Y\*4



Ø22\*Ø8.5

T\*4



M8\*18MM

X4\*8



M8\*18MM

Y\*4



Ø22\*Ø8.5

T\*4



M8\*18MM

X4\*8



M8\*18MM

Y\*4



Ø22\*Ø8.5

T\*4



M8\*18MM

X4\*8



M8\*18MM

Y\*4



Ø22\*Ø8.5

T\*4



M8\*18MM

X4\*8



M8\*18MM

Y\*4



Ø22\*Ø8.5

T\*4



M8\*18MM

X4\*8



M8\*18MM

Y\*4



Ø22\*Ø8.5

T\*4



M8\*18MM

X4\*8



M8\*18MM

Y\*4



Ø22\*Ø8.5

T\*4



M8\*18MM

X4\*8



M8\*18MM

Y\*4



Ø22\*Ø8.5

T\*4



M8\*18MM

X4\*8



M8\*18MM

Y\*4



Ø22\*Ø8.5

T\*4



M8\*18MM

X4\*8



M8\*18MM

Y\*4



Ø22\*Ø8.5

T\*4



M8\*18MM

X4\*8



M8\*18MM

Y\*4



Ø22\*Ø8.5

T\*4



M8\*18MM

X4\*8



M8\*18MM

Y\*4



Ø22\*Ø8.5

T\*4



M8\*18MM

X4\*8



M8\*18MM

Y\*4



Ø22\*Ø8.5

T\*4



M8\*18MM

X4\*8



M8\*18MM

Y\*4



Ø22\*Ø8.5

T\*4



M8\*18MM

X4\*8



M8\*18MM

Y\*4



Ø22\*Ø8.5

T\*4



M8\*18MM

X4\*8



M8\*18MM

Y\*4



Ø22\*Ø8.5

T\*4



M8\*18MM

X4\*8



M8\*18MM

Y\*4



Ø22\*Ø8.5

T\*4



M8\*18MM

X4\*8



M8\*18MM

Y\*4



Ø22\*Ø8.5

T\*4



M8\*18MM

X4\*8



M8\*18MM

Y\*4



Ø22\*Ø8.5

T\*4



M8\*18MM

X4\*8



M8\*18MM

Y\*4



Ø22\*Ø8.5

T\*4



M8\*18MM

X4\*8



M8\*18MM

Y\*4



Ø22\*Ø8.5

T\*4



M8\*18MM

X4\*8



M8\*18MM

Y\*4



Ø22\*Ø8.5

T\*4



M8\*18MM

X4\*8



M8\*18MM

Y\*4



Ø22\*Ø8.5

T\*4



M8\*18MM

X4\*8



M8\*18MM

Y\*4



Ø22\*Ø8.5

T\*4



M8\*18MM

X4\*8



M8\*18MM

Y\*4



Ø22\*Ø8.5

T\*4



M8\*18MM

X4\*8



M8\*18MM

Y\*4



Ø22\*Ø8.5

T\*4



M8\*18MM

X4\*8



M8\*18MM

Y\*4



Ø22\*Ø8.5

T\*4



M8\*18MM

X4\*8



M8\*18MM

Y\*4



Ø22\*Ø8.5

T\*4



M8\*18MM

X4\*8



M8\*18MM

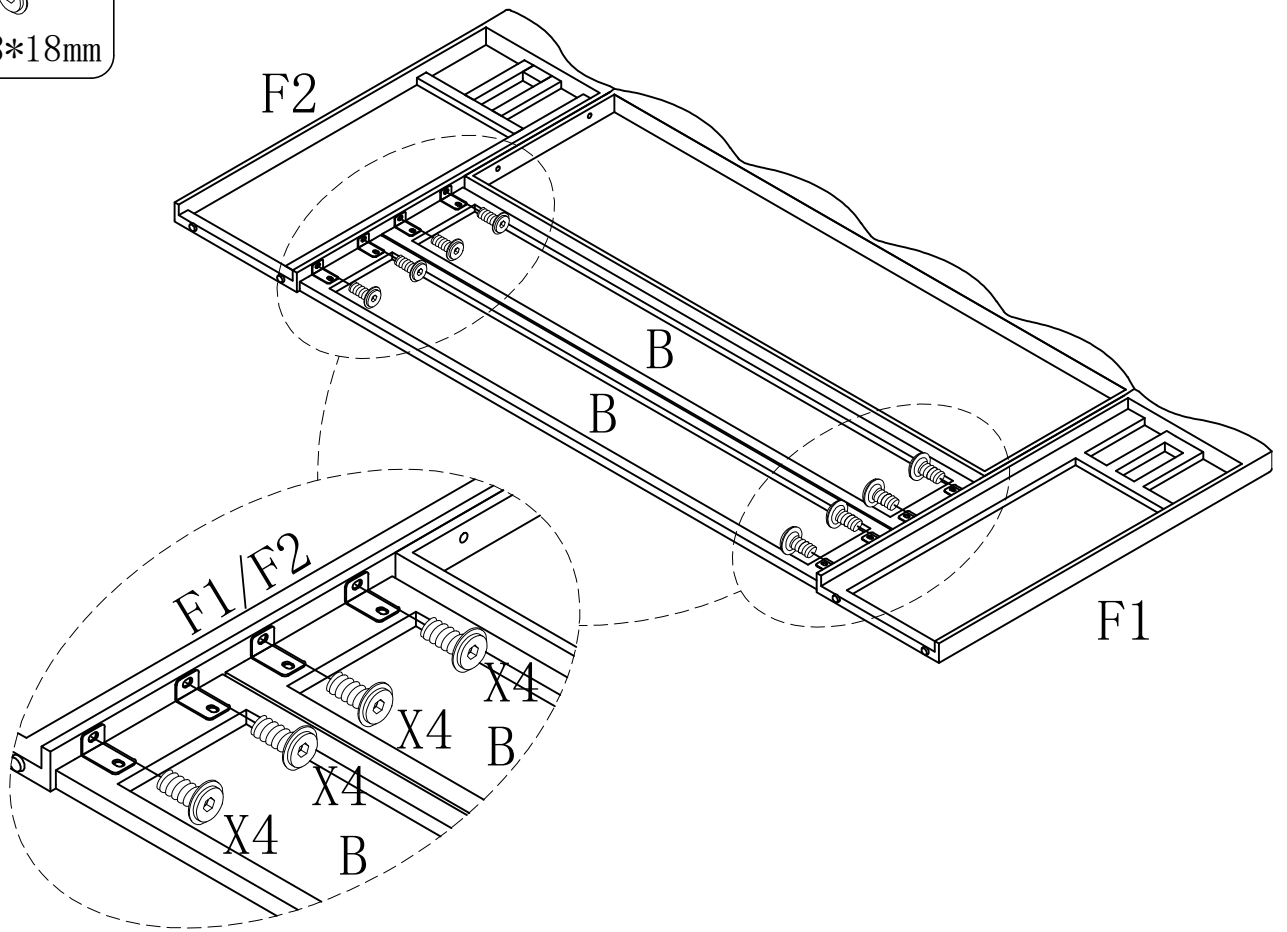
Y\*4

3

X4\*8



M8\*18mm

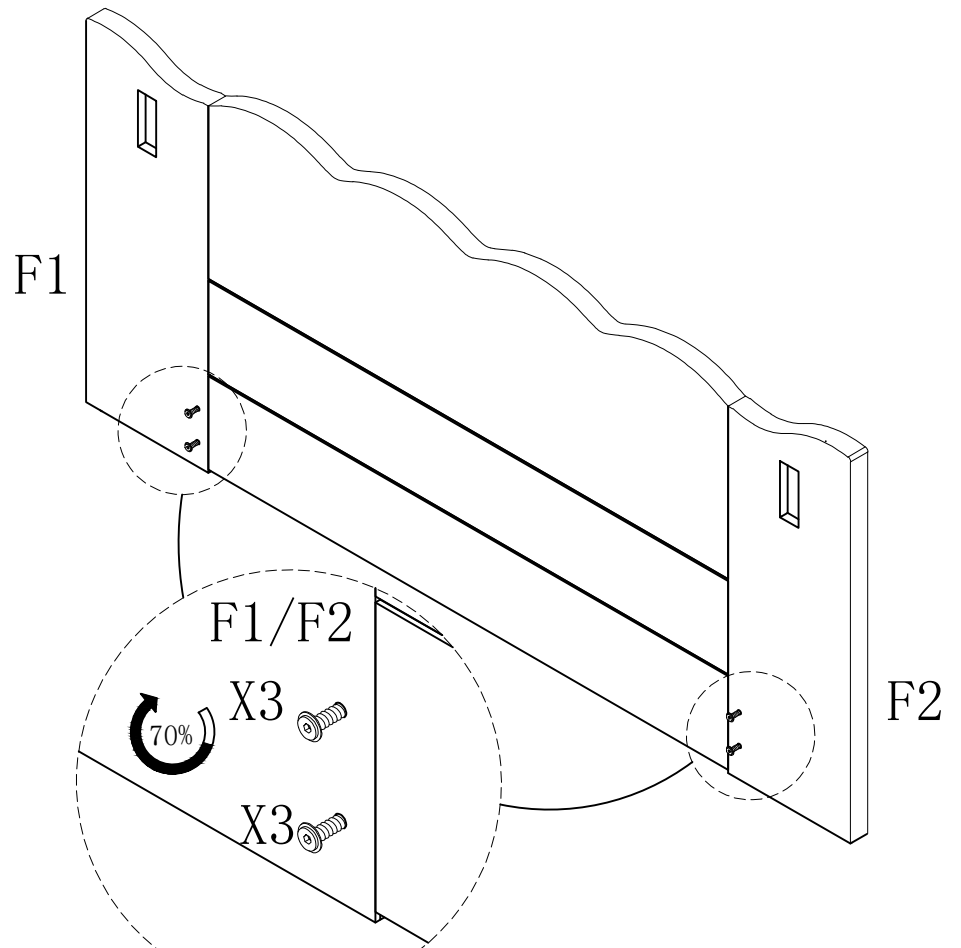


4

X3\*4

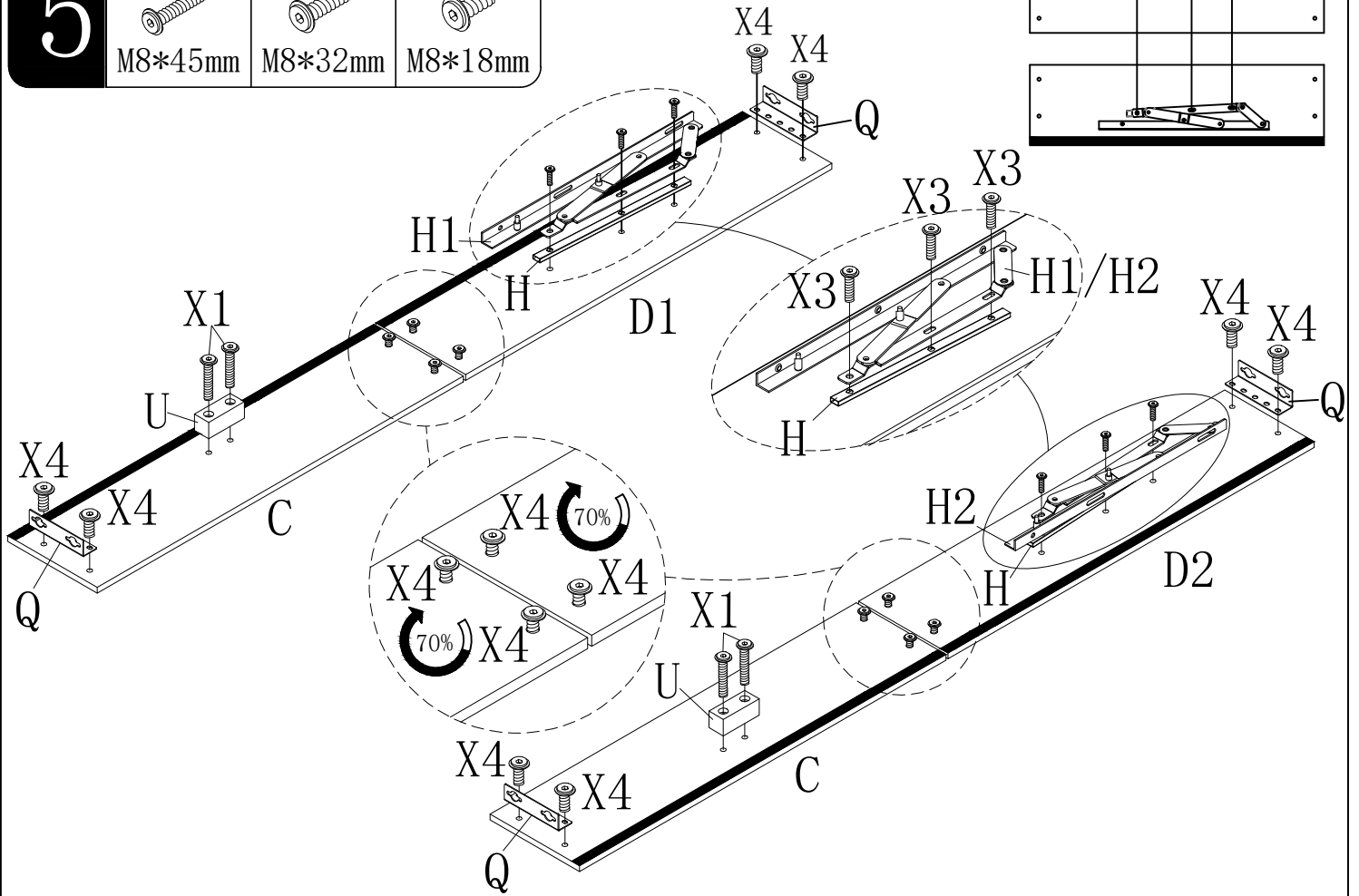


M8\*32mm



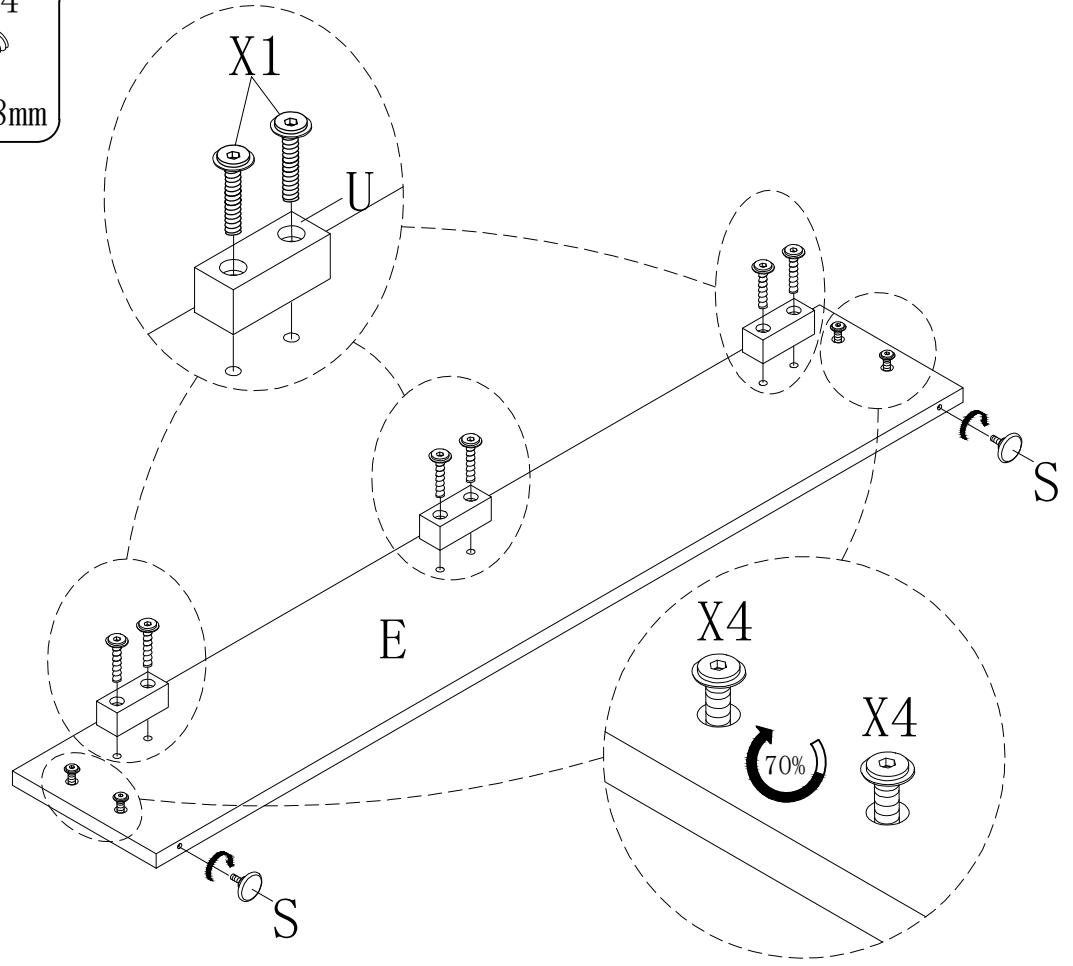
5

X1*4 M8*45mm	X3*6 M8*32mm	X4*16 M8*18mm
-----------------	-----------------	------------------

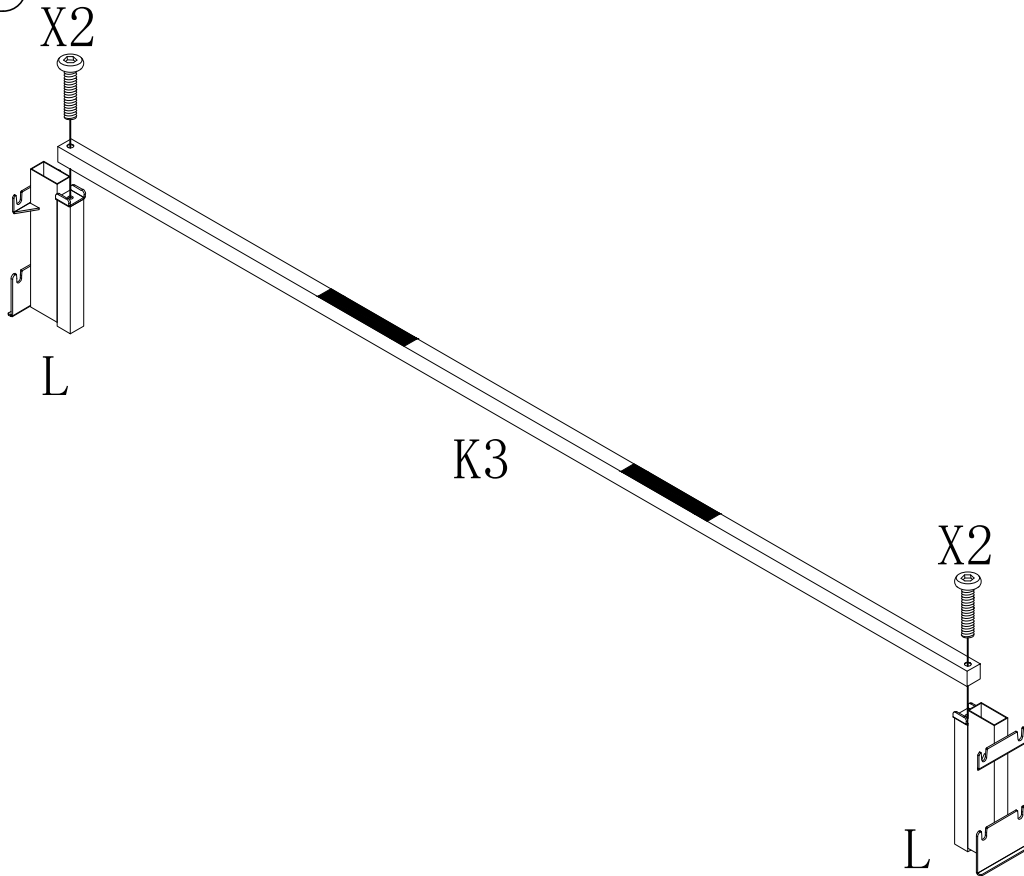


6

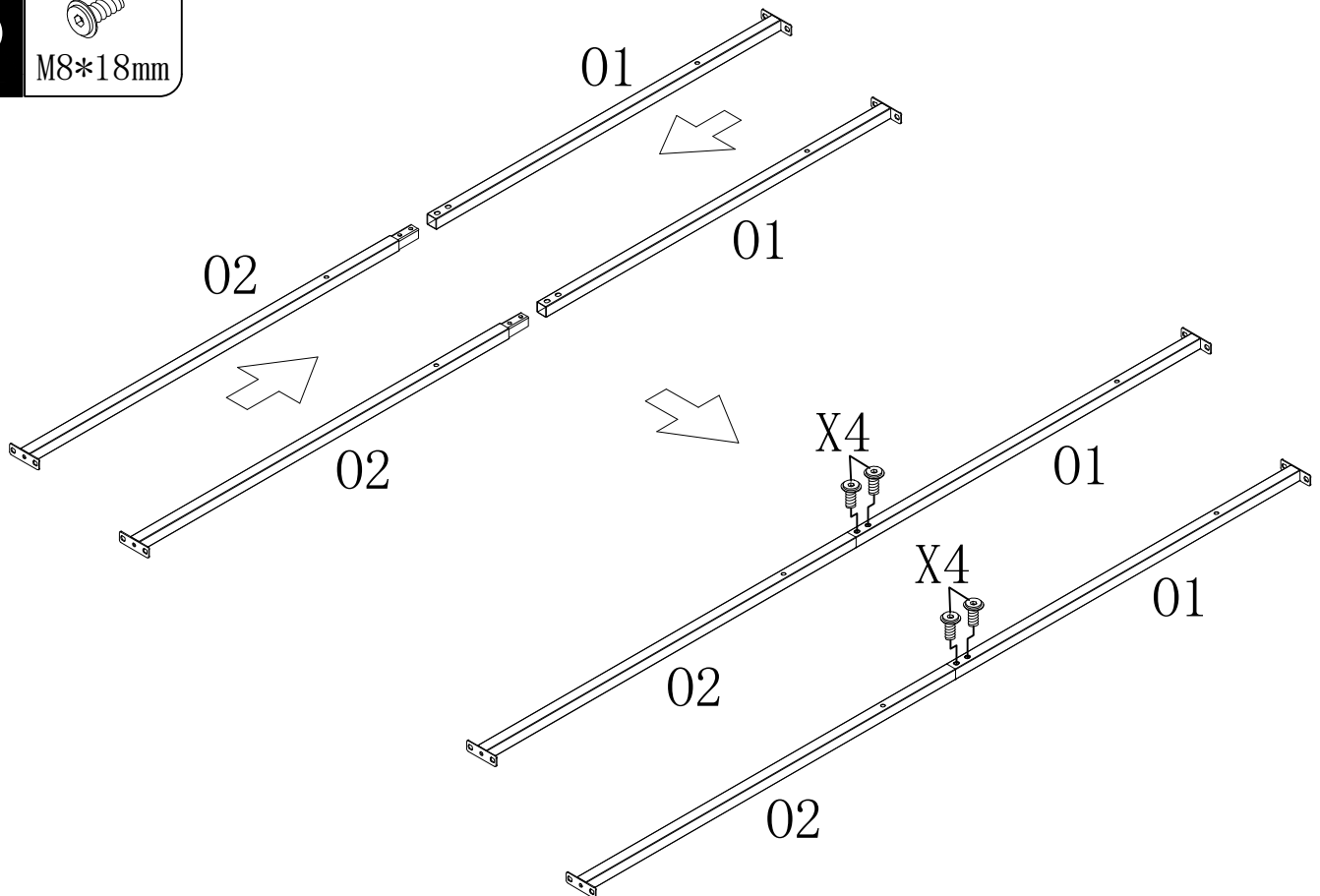
X1*6 M8*45mm	X4*4 M8*18mm
-----------------	-----------------



**7** X2\*2  
M8\*40MM



**8** X4\*4  
M8\*18mm

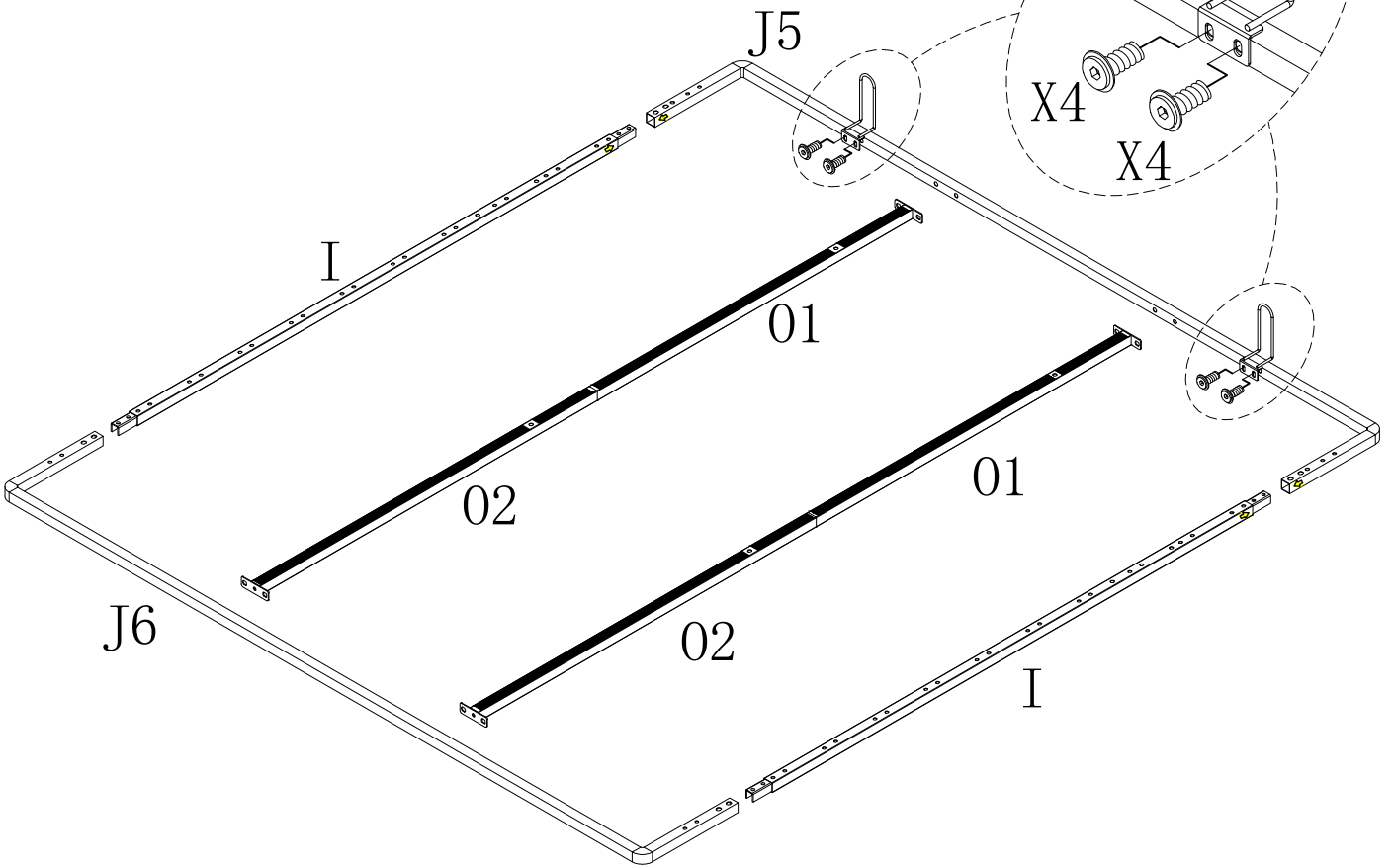


9

X4\*4



M8\*18mm

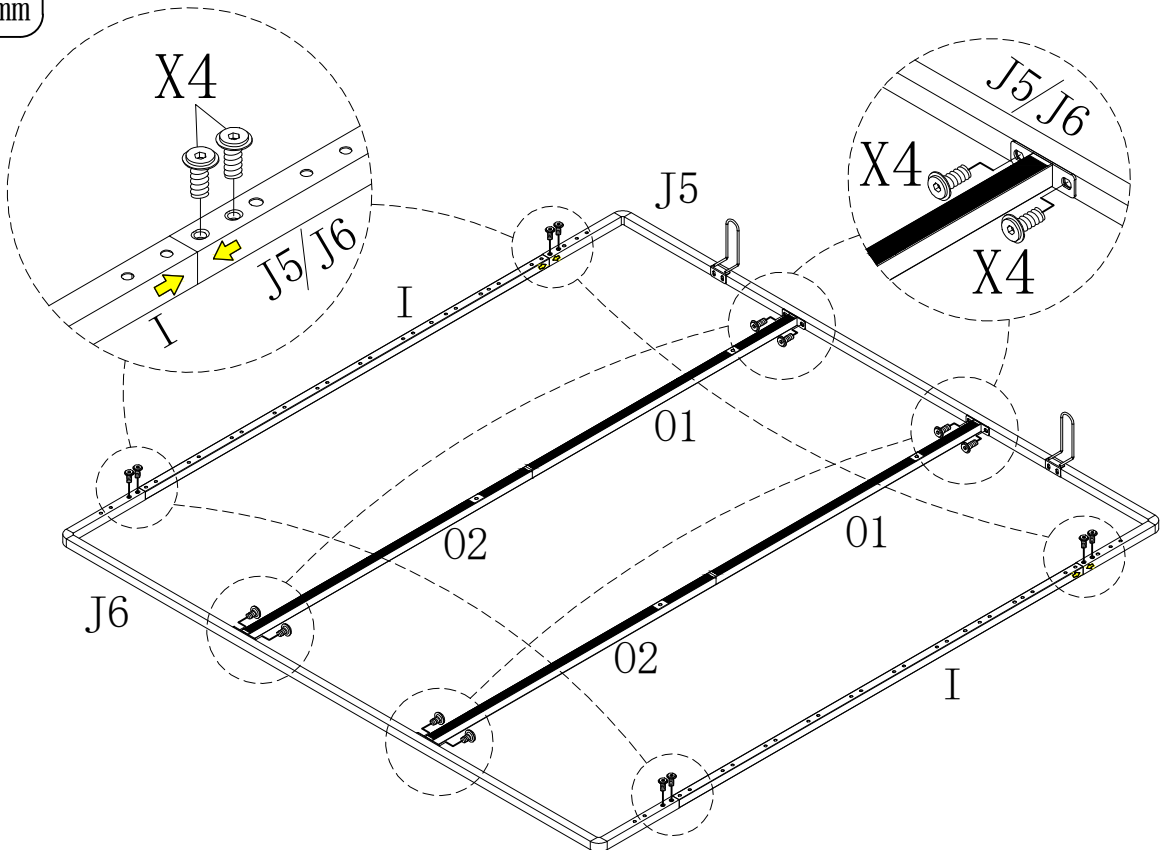


10

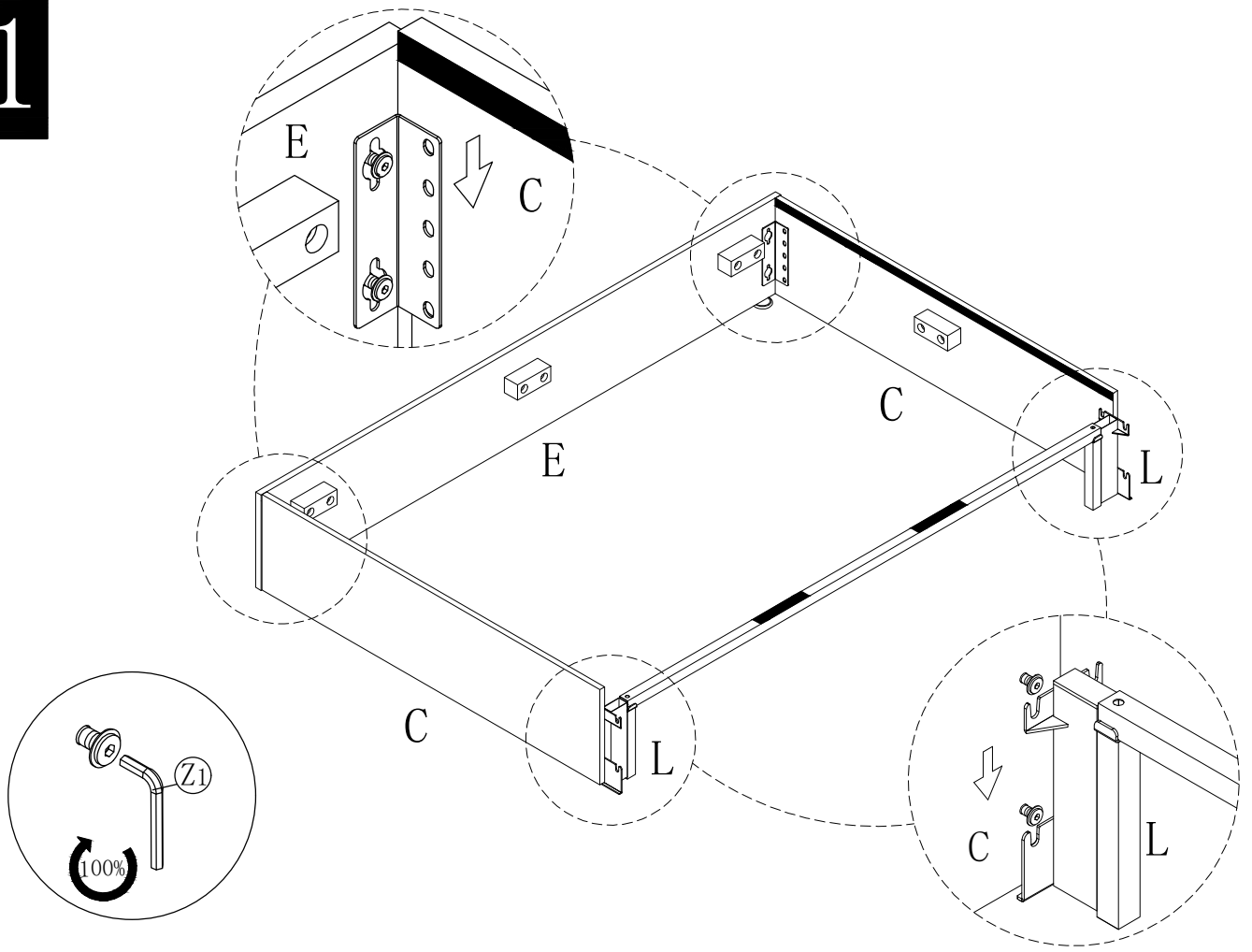
X4\*16



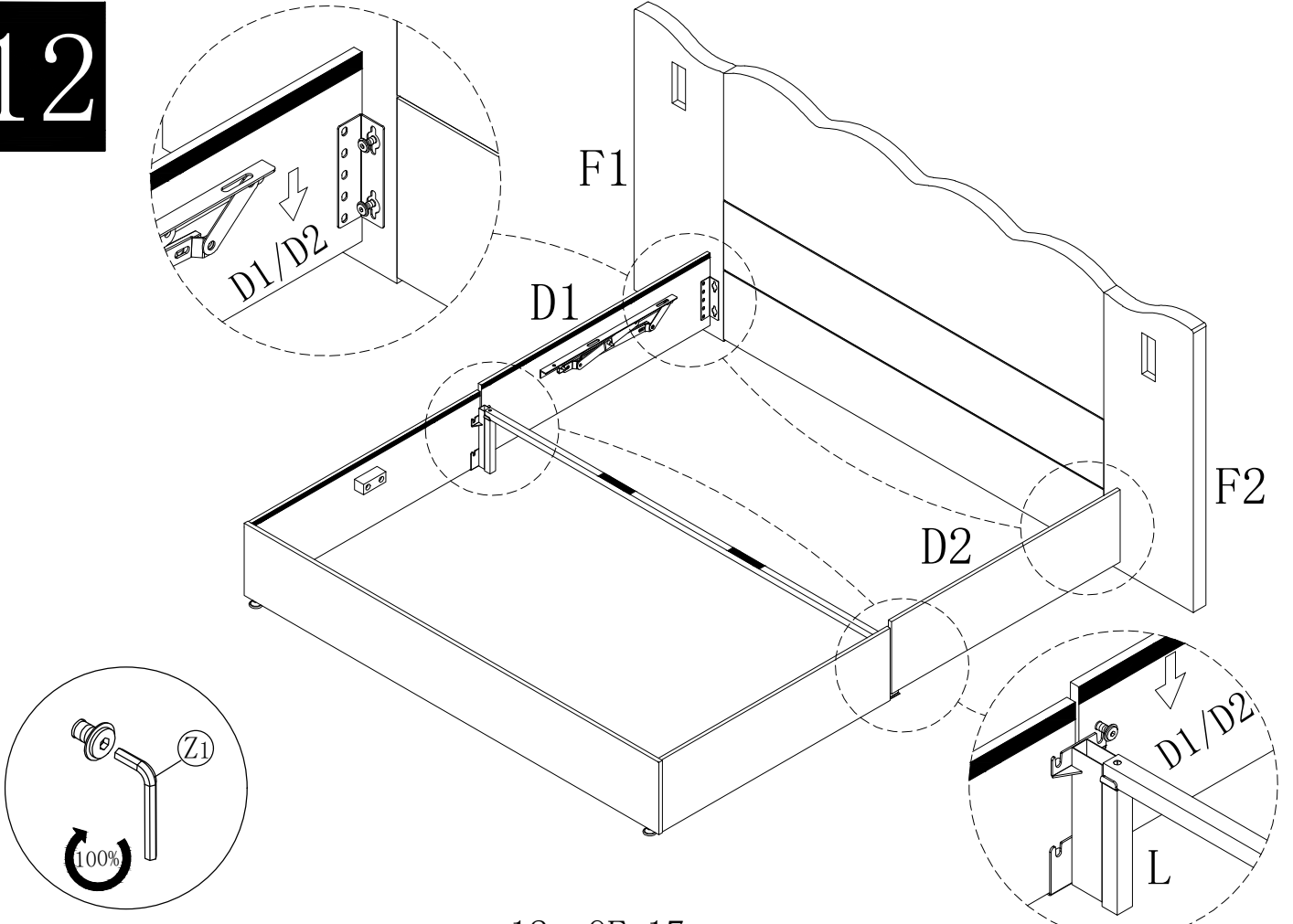
M8\*18mm



11

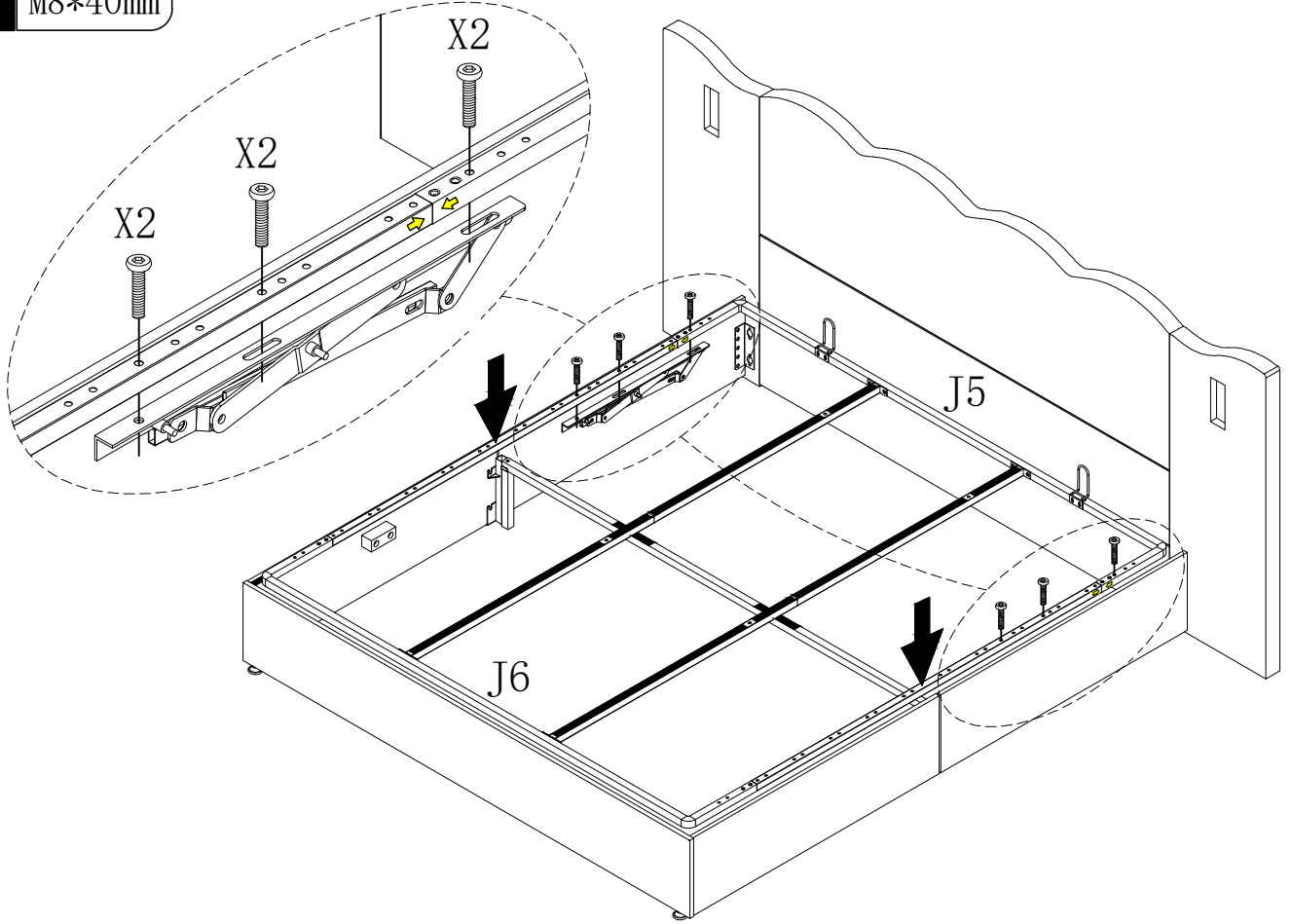


12



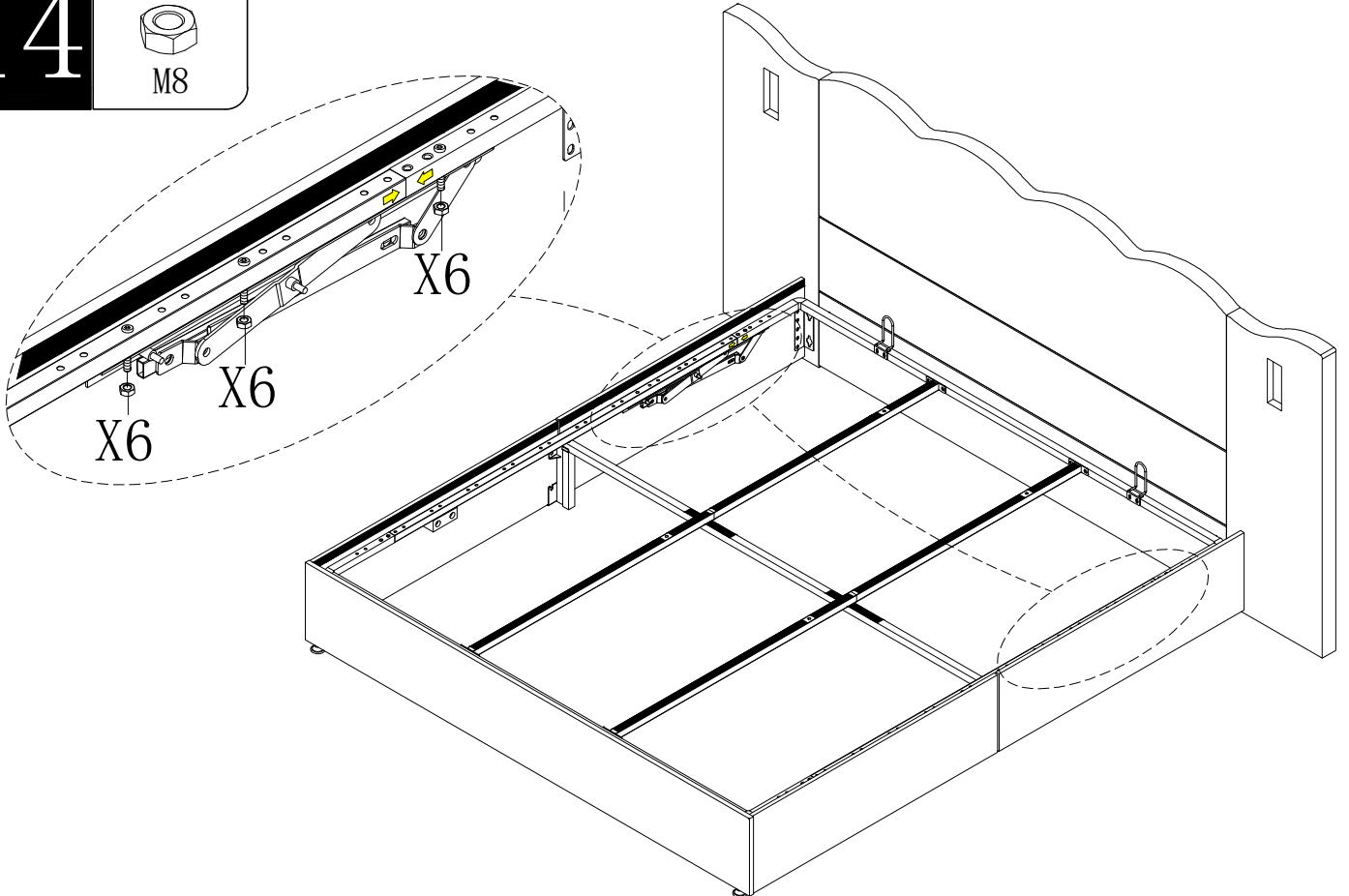
13

X2\*6  
M8\*40mm

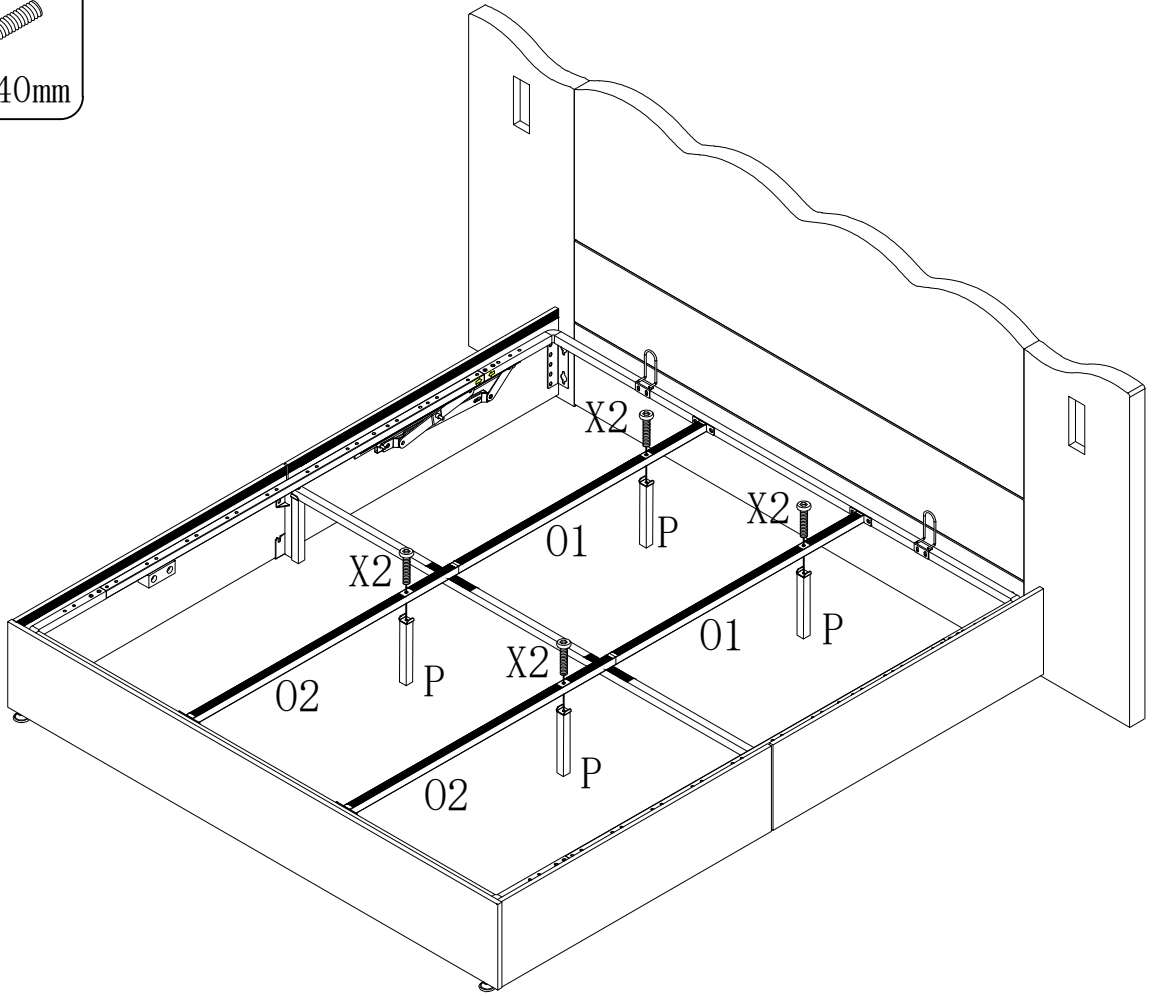


14

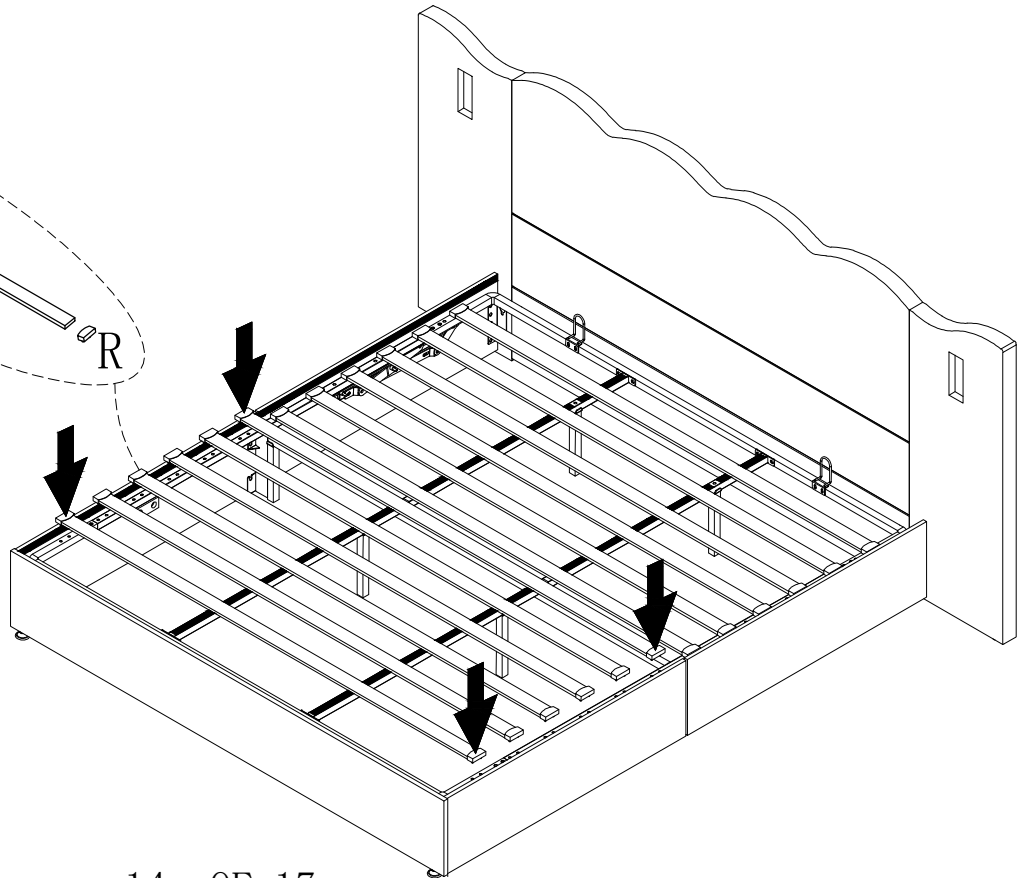
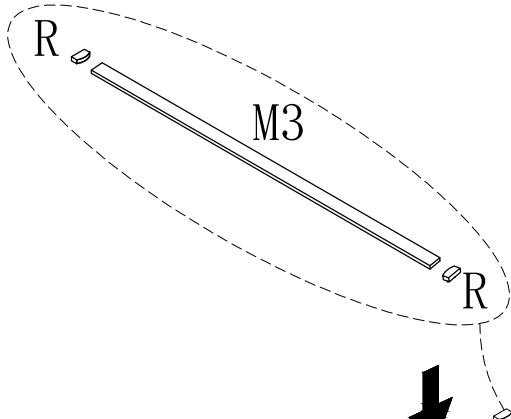
X6\*6  
M8



15 X2\*4  
M8\*40mm



16

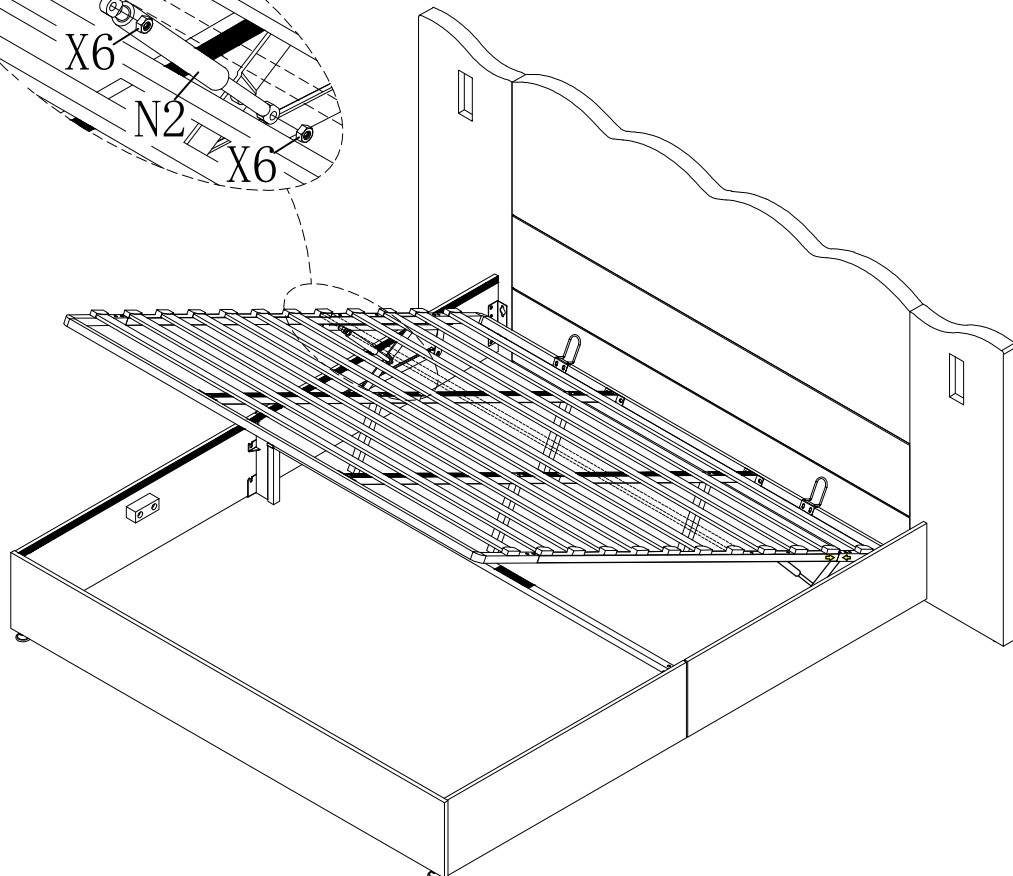
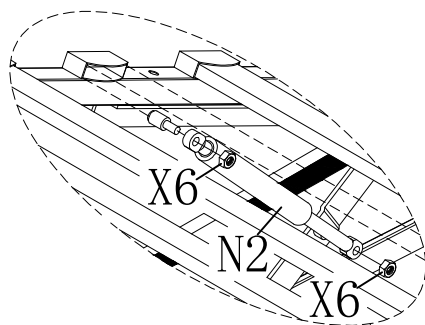


17

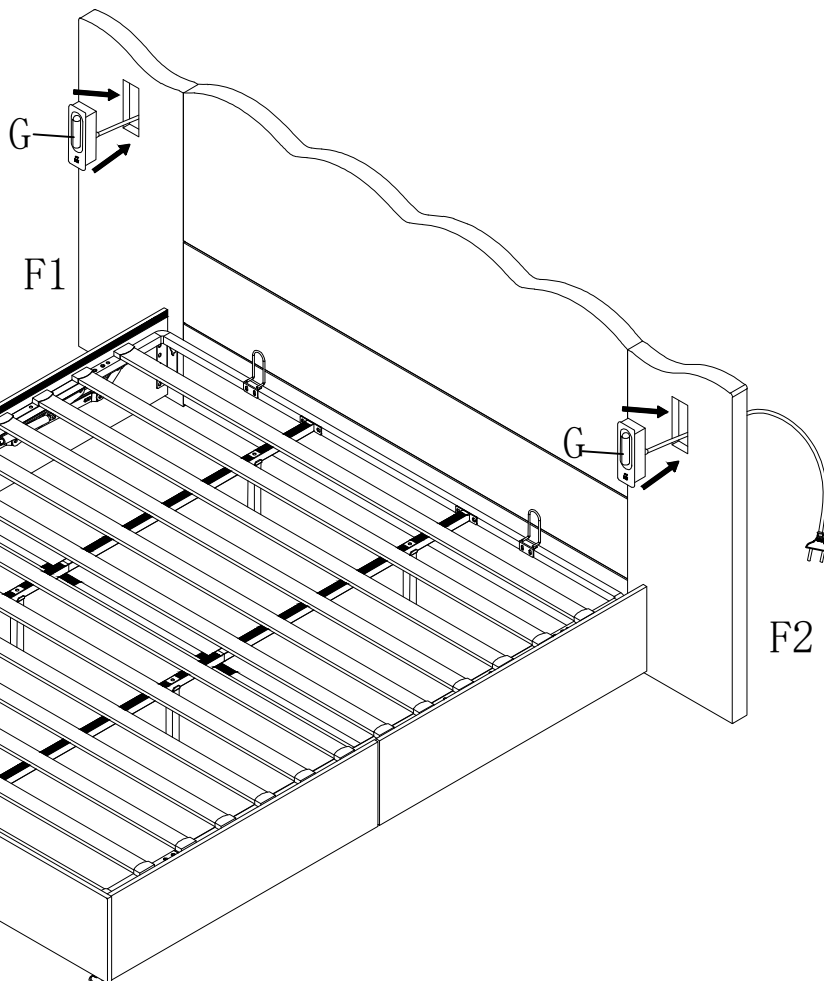
X6\*4



M8



18

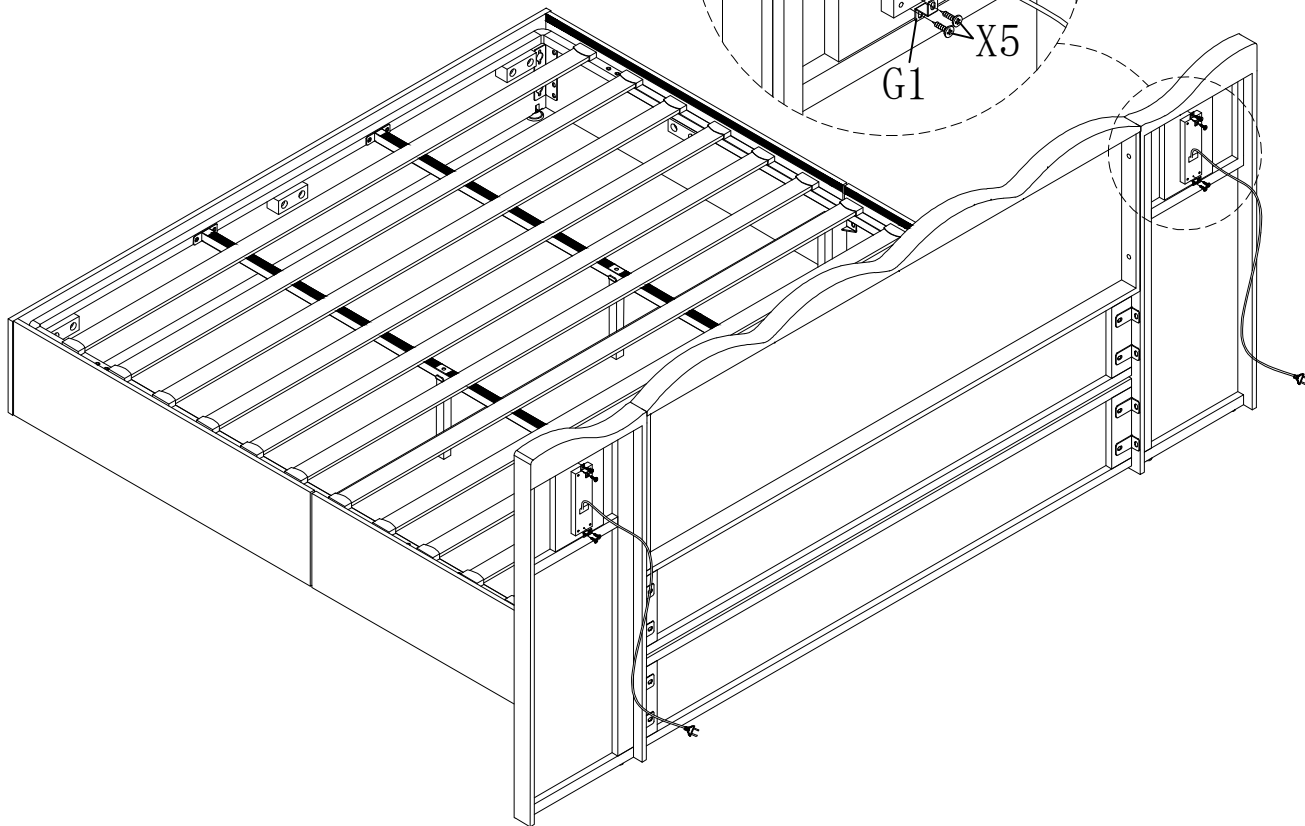
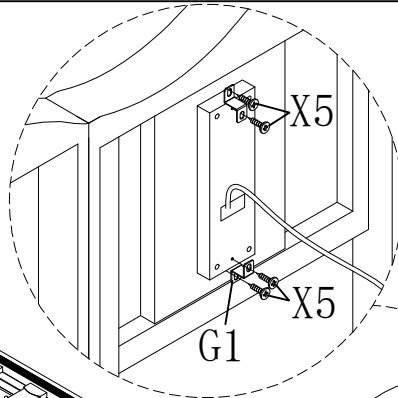


19

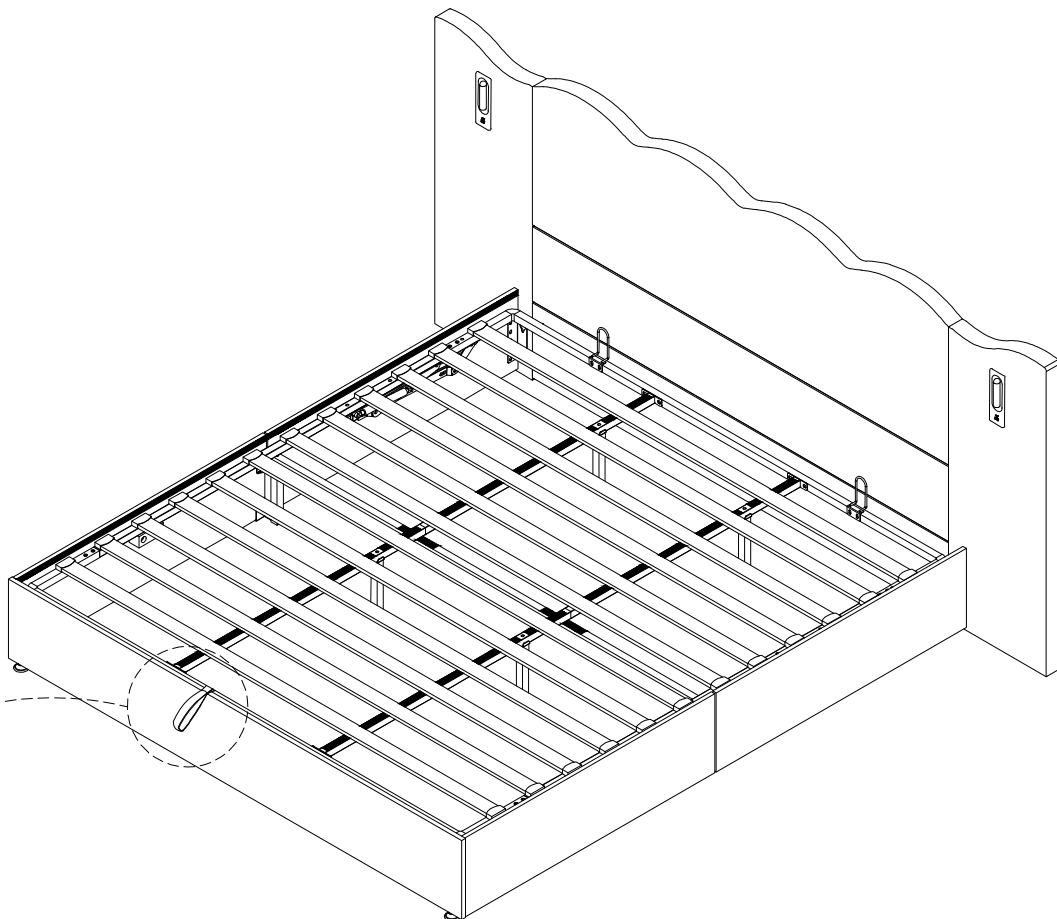
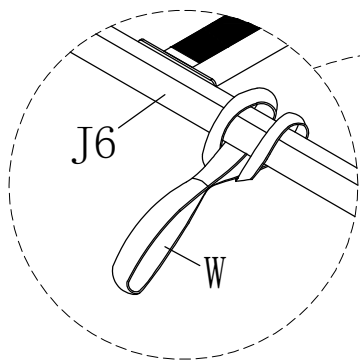
X5\*8

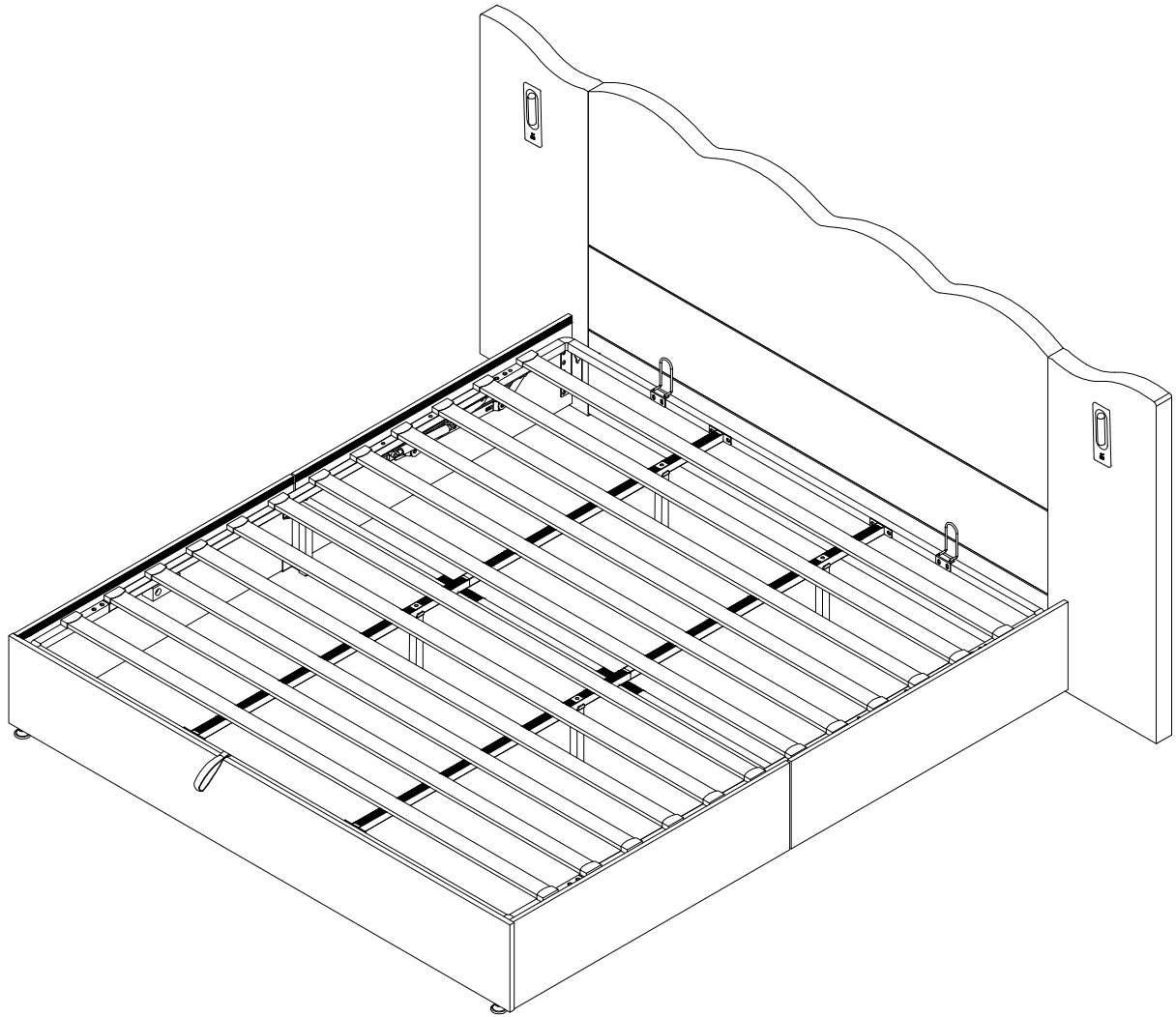


M3\*15mm



20





## IMPORTANT NOTICE OTTOMAN OPERATING INSTRUCTIONS

Once your bed frame is completely assembled, the slat unit will not operate correctly unless a mattress is placed on the slat frame. Position the mattress on the slat frame whilst it is in the closed position.

**PLEASE NOTE** - It takes a lot of force to make the initial movement of the ottoman. This is a design feature of the product so that it does not fall shut - the nearer to being closed the ottoman is, the easier it is to move. When the ottoman is almost shut, it will close completely under its own weight.

When lowering the slat unit for the first time, take care to make sure it does not rub unevenly on the inside face of the side rails. If it does, the bed has been assembled slightly out of square. This can be rectified by moving the foot end of the bed slightly to the left or right whilst leaving the head end stationary.

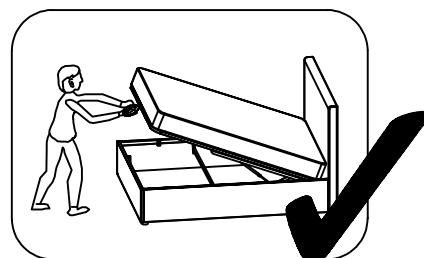
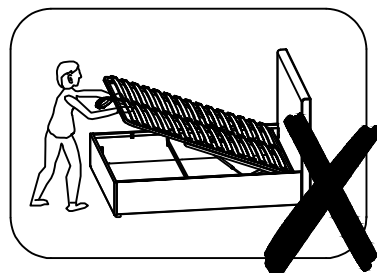
### PISTONS

The pistons used in the construction of this product are extremely strong and cannot be operated by hand when taken off the ottoman. All pistons are tested for correct pressure and operation before being attached to the slat unit.

Initially it might appear that the pistons are very stiff when opening and closing the ottoman.

### THIS IS PERFECTLY NORMAL

When fully assembled and the mattress is in position, please raise and lower the ottoman 4/5 times to ensure the gas piston are fully lubricated.



# Certificate of Conformity



Certificate Number: JKC20241120916EN

Holder of Certificate ..: Zhangzhou Jinhe Electronic Technology Co., Ltd

Address.....: Jiao Mei Zhen Hong Jian Cun Jiao Song, Taiwan  
Merchants Investment Zone, Zhangzhou, Fujian  
Province 3rd Floor, Building C, No. 59 Road

Manufacturer.....: Zhangzhou Jinhe Electronic Technology Co., Ltd

Address.....: Jiao Mei Zhen Hong Jian Cun Jiao Song, Taiwan  
Merchants Investment Zone, Zhangzhou, Fujian  
Province 3rd Floor, Building C, No. 59 Road

Trademark.....: /

Product Name.....: JH-15

Model(s) .....: JH-15, JH-51, JH-52, JH-53, JH-54, JH-55,  
JH-56, JH-57, JH-58, JH-59, JH-60

Rating.....: AC85-250V, 12A, 150W

Test Standard.....: EN 55032:2015/A1:2020  
EN 55035:2017+A11:2020  
EN IEC61000-3-2:2019+A1:2021  
EN 61000-3-3:2013+A2:2021

Directives.....: EMC Directive 2014/30/EU

Report Number.....: JKC20241120916

Remark: The certificate of conformity is based on an evaluation of sample if the above mentioned product. Complies with the requirements of European Community EMC Directive 2014/30/EU. This declaration applies to all specimens manufactured in accordance with the attached manufacturing drawing which form part of this declaration.



*Murphy Chen*

Murphy Chen,  
Department Manager  
Date: Nov. 20, 2024

**JieKe (Shenzhen) Testing Technology Co., Ltd.**

4A06, No.93, Qianjin Second Road, 81 District, Hexi Community, Xixiang Street, Bao'an District,  
Shenzhen, China

✉ jiekejiance@yeah.net 🌐 www.jktf-lab.com