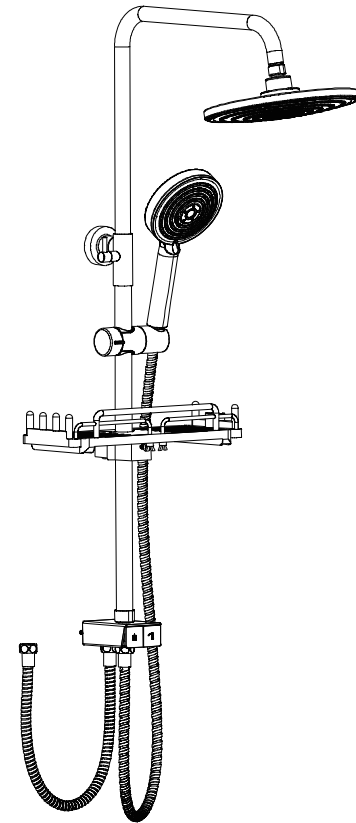


**S'AFIELINA**



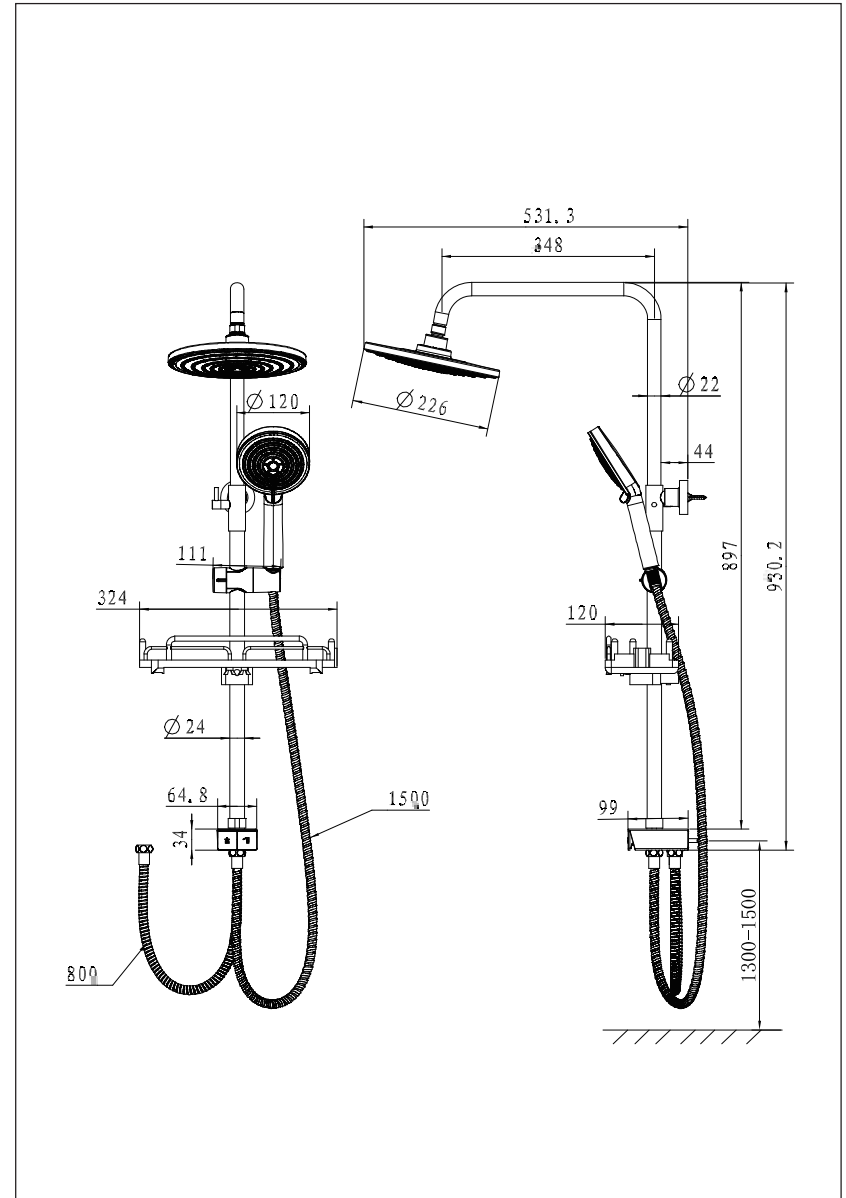
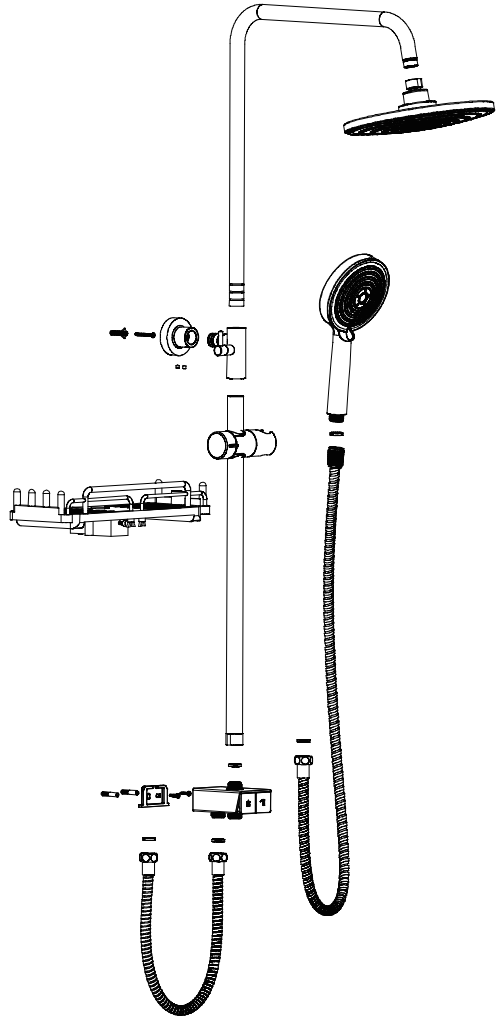
## **Installation Instruction**

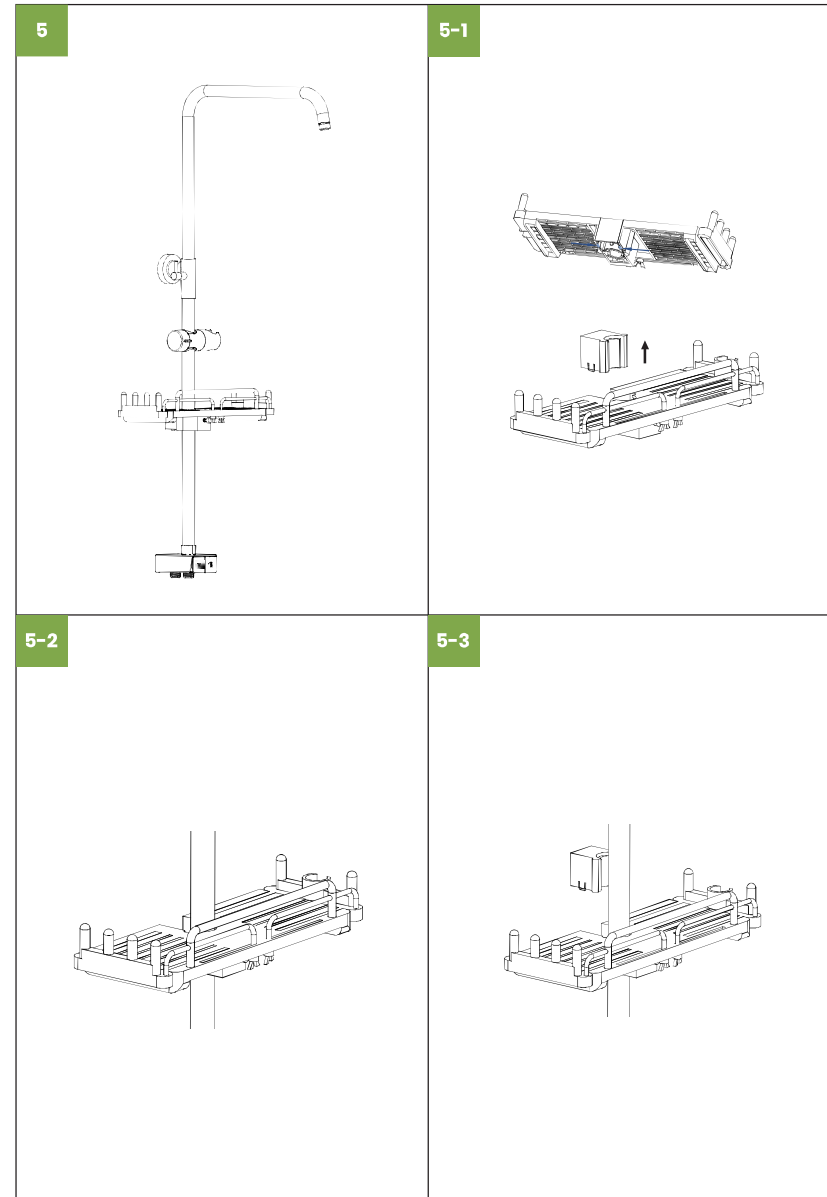
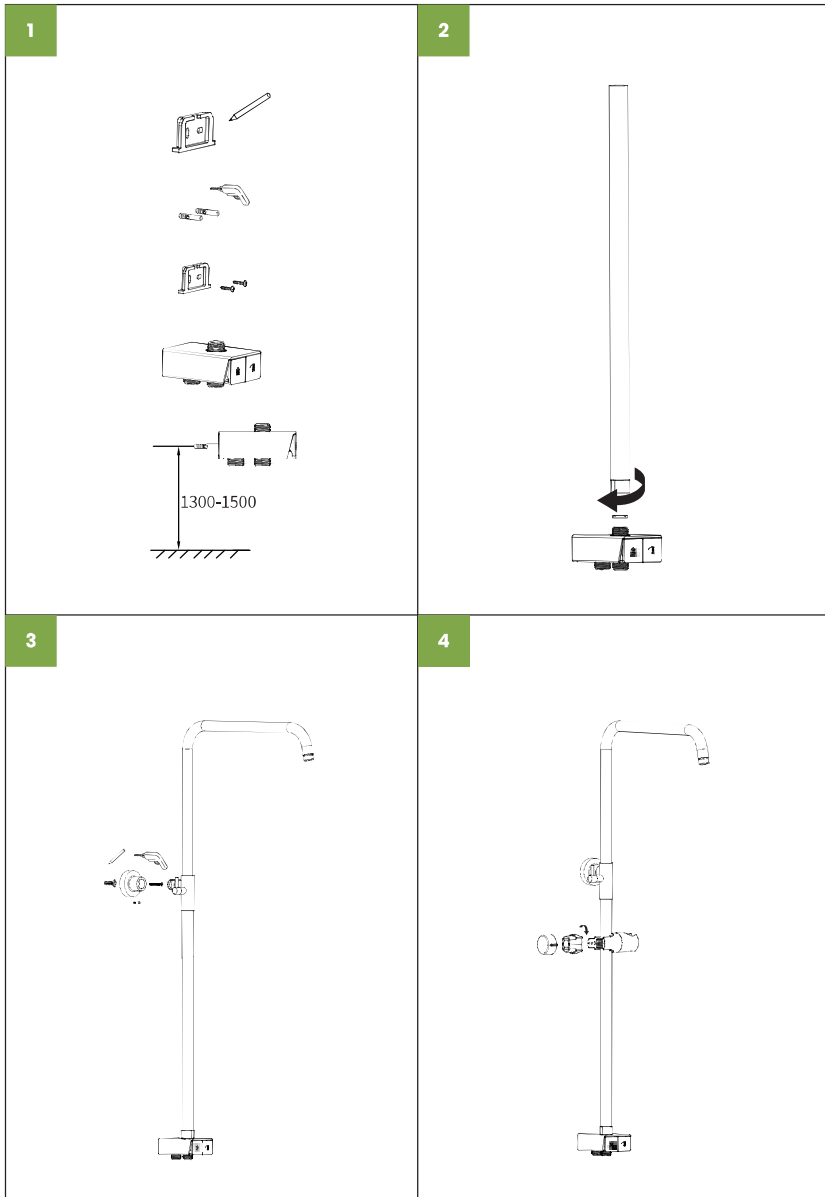
### **F24SSC01CP**

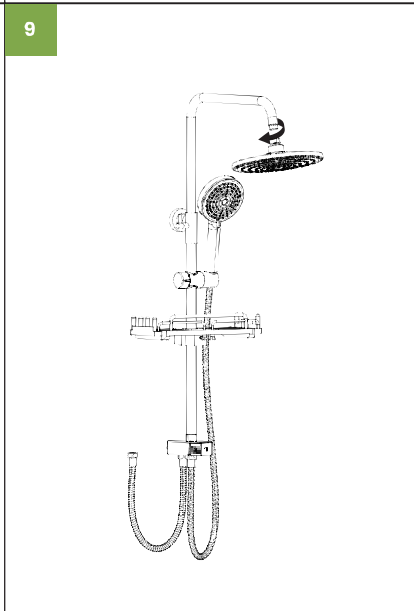
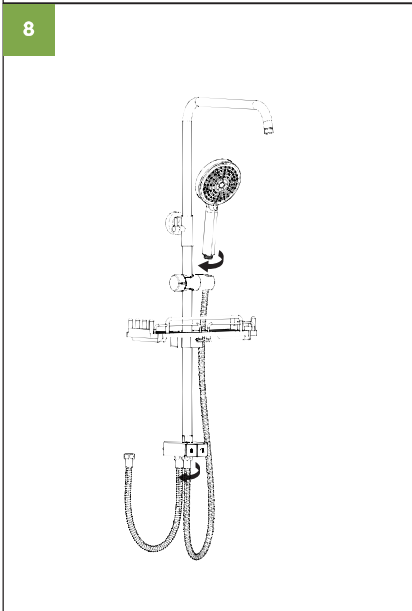
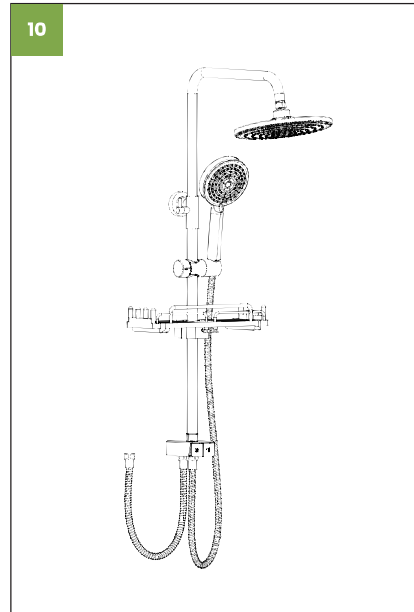
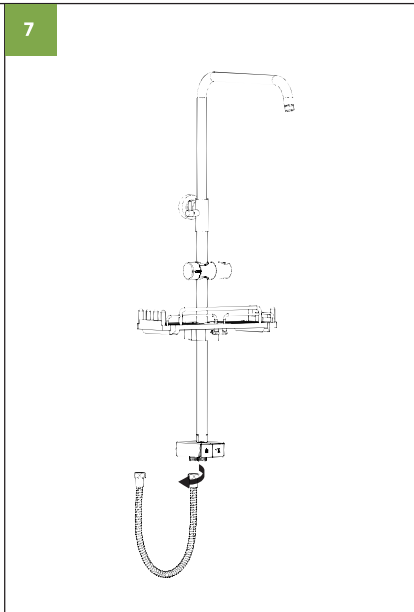
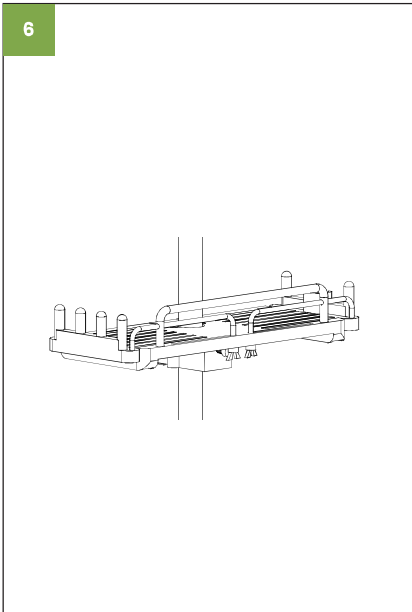
English/Deutsch/Français/Español/Italiano

V01-10-2023









## Safety Guide

1. After receiving the product, please check the product to make sure there no damage or missing parts before installation. Any inquiry, please contact our customer service team through the original purchasing platform for support.
2. This product is only permitted to be used for bathing, sanitation and body cleansing purposes.
3. Children and adults with physical, mental and/or conscious impairments must not be allowed to use the shower system unsupervised. The shower system must not be used by persons under the influence of alcohol or drugs.

### Spezifikation

1. Working pressure:
2. Recommended working pressure:
3. Hot Water Temperature:

Max. 8Bar  
1 - 3 Bar  
72 C max

## Cleaning Recommendation

- Only use cleaning material which is explicitly provided for this type of application.
- Never use cleaning materials, which contain hydrochloric acid, formic acid, chlorine bleaching lye or acetic acid, as they cause considerable damage.
- Phosphorus acidic cleaners are only applicable under certain conditions.
- Mixing different cleaning agents is generally not permitted.
- Never use cleaning materials or appliances with an abrasive effect, such as unsuitable cleaning powders, sponge pads or micro fibre cloths.
- The instructions of the cleaning agent manufacturers have to be followed closely.
- Cleaning has to be carried out with a specified dosage of cleaning detergent, for a suitable limited time, object-related and adapted to the needs.
- Limescale has to be removed by regularly cleaning.
- When using spray cleaners, spray the cleaning solution onto a soft cloth or sponge, never directly onto the products, as the atomised spray could enter openings and gaps in the product and cause damage.
- After cleaning, rinse thoroughly with clean water to remove any cleaner residue.
- The use of steam cleaners is not permitted. The high temperatures can damage the products.

### Important Note

Residues of toiletries such as liquid soaps, shampoos and shower gels, hair dyes, perfumes, aftershave and nail varnish can also cause damage. Here too: Carefully rinse with water after use to remove residues. Likewise, do not store any cleaning agents or chemicals under the products, for example in a vanity unit, as the vapour may damage the products.



Components with damaged surfaces must be exchanged otherwise there could be a risk of injury. Damage caused by improper treatment/installation is not covered by our guarantee.

## Sicherheitsleitfaden

1. Nach Erhalt des Produkts, überprüfen Sie bitte das Produkt, um sicherzustellen, dass es keine Schäden oder fehlende Teile vor der Installation. Jede Anfrage, kontaktieren Sie bitte unser Kundendienst-Team durch die ursprüngliche Kauf-Plattform für die Unterstützung.
2. Um Verletzungen während der Installation zu vermeiden, muss eine angemessene Schutzausrüstung getragen werden.
3. Dieses Produkt ist nur für Bade-, Sanitär- und Körperreinigungszwecke geeignet.
4. Dieses Produkt ist nicht für die Verwendung in Verbindung mit dem Dampfsauna-Duschsystem vorgesehen.
5. Kinder oder Personen mit körperlichen, geistigen und/oder kognitiven Beeinträchtigungen sollten das Produkt nur mit entsprechender Unterstützung und unter Aufsicht verwenden.
6. Das Duschsystem darf nicht von Personen benutzt werden, die unter dem Einfluss von Alkohol oder Drogen stehen.

### Spezifikation

1. Arbeitsdruck:
2. Empfohlener Arbeitsdruck:
3. Heißwassertemperatur:

Max. 8Bar  
1 - 3 Bar  
72 C max

## Cleaning Recommendation

- Only use cleaning material which is explicitly provided for this type of application.
- Never use cleaning materials, which contain hydrochloric acid, formic acid, chlorine bleaching lye or acetic acid, as they cause considerable damage.
- Phosphorus acidic cleaners are only applicable under certain conditions.
- Mixing different cleaning agents is generally not permitted.
- Never use cleaning materials or appliances with an abrasive effect, such as unsuitable cleaning powders, sponge pads or micro fibre cloths.
- The instructions of the cleaning agent manufacturers have to be followed closely.
- Cleaning has to be carried out with a specified dosage of cleaning detergent, for a suitable limited time, object-related and adapted to the needs.
- Limescale has to be removed by regularly cleaning.
- When using spray cleaners, spray the cleaning solution onto a soft cloth or sponge, never directly onto the products, as the atomised spray could enter openings and gaps in the product and cause damage.
- After cleaning, rinse thoroughly with clean water to remove any cleaner residue.
- The use of steam cleaners is not permitted. The high temperatures can damage the products.

### Wichtiger Hinweis

Rückstände von Toilettenartikeln wie Flüssigseifen, Shampoos und Duschgels, Haarfärbemitteln, Parfums, Aftershave und Nagellack können ebenfalls Schäden verursachen. Auch hier: Spülen Sie nach dem Gebrauch sorgfältig mit Wasser nach, um Rückstände zu entfernen. Bewahren Sie auch keine Reinigungsmittel oder Chemikalien unter den Produkten auf, zum Beispiel in einem Waschtischunterschrank, da die Dämpfe die Produkte beschädigen können.



Bauteile mit beschädigten Oberflächen müssen ausgetauscht werden, da sonst Verletzungsgefahr besteht. Schäden, die durch unsachgemäße Behandlung/Montage entstanden sind, fallen nicht unter unsere Garantie.