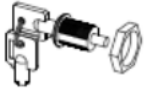


A × 2



B × 4



C × 2



D × 4



E × 1



F × 1



G × 2



H × 18



J × 1



K × 1



L × 2



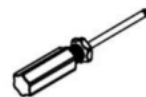
M × 1



N × 1

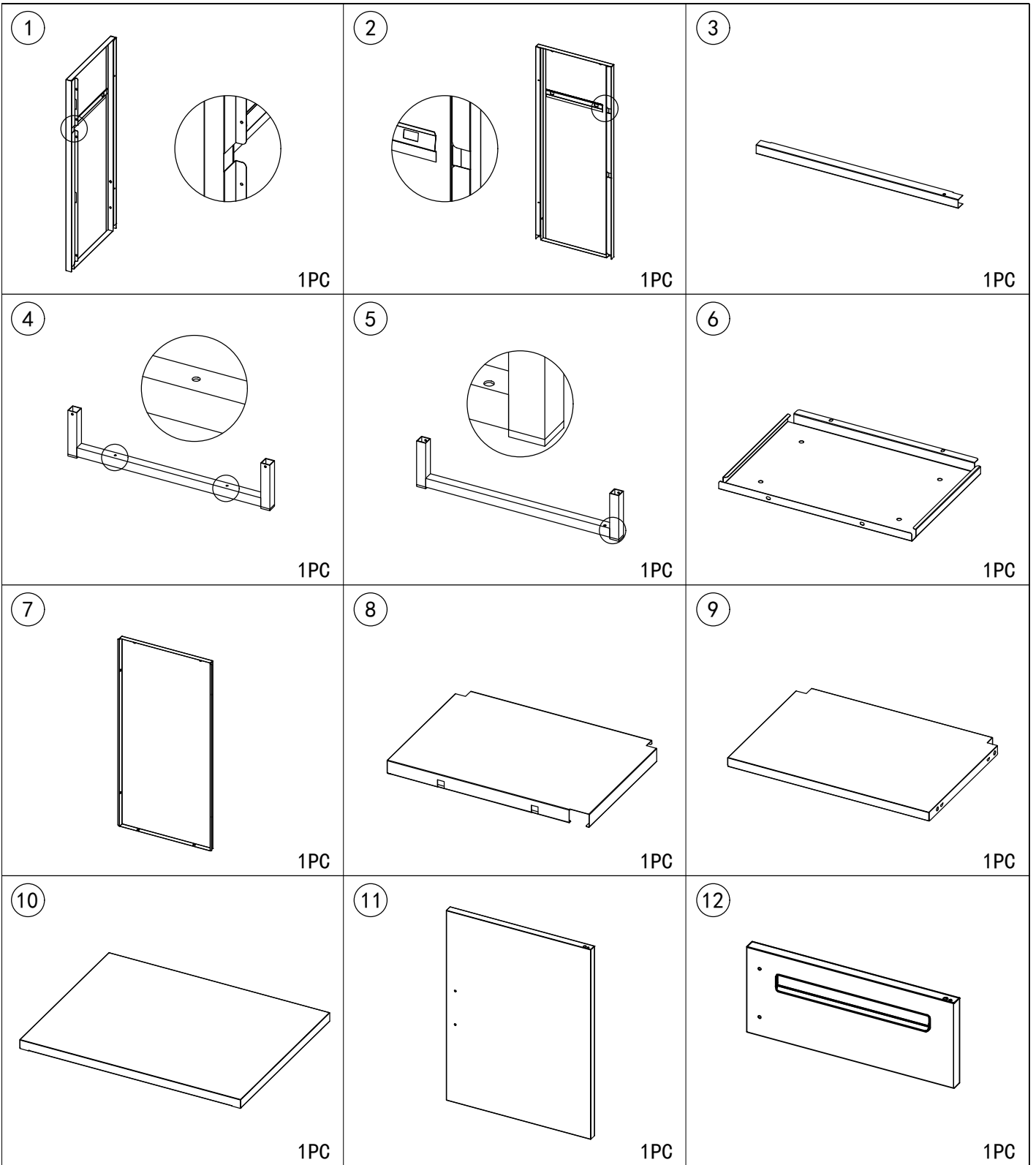


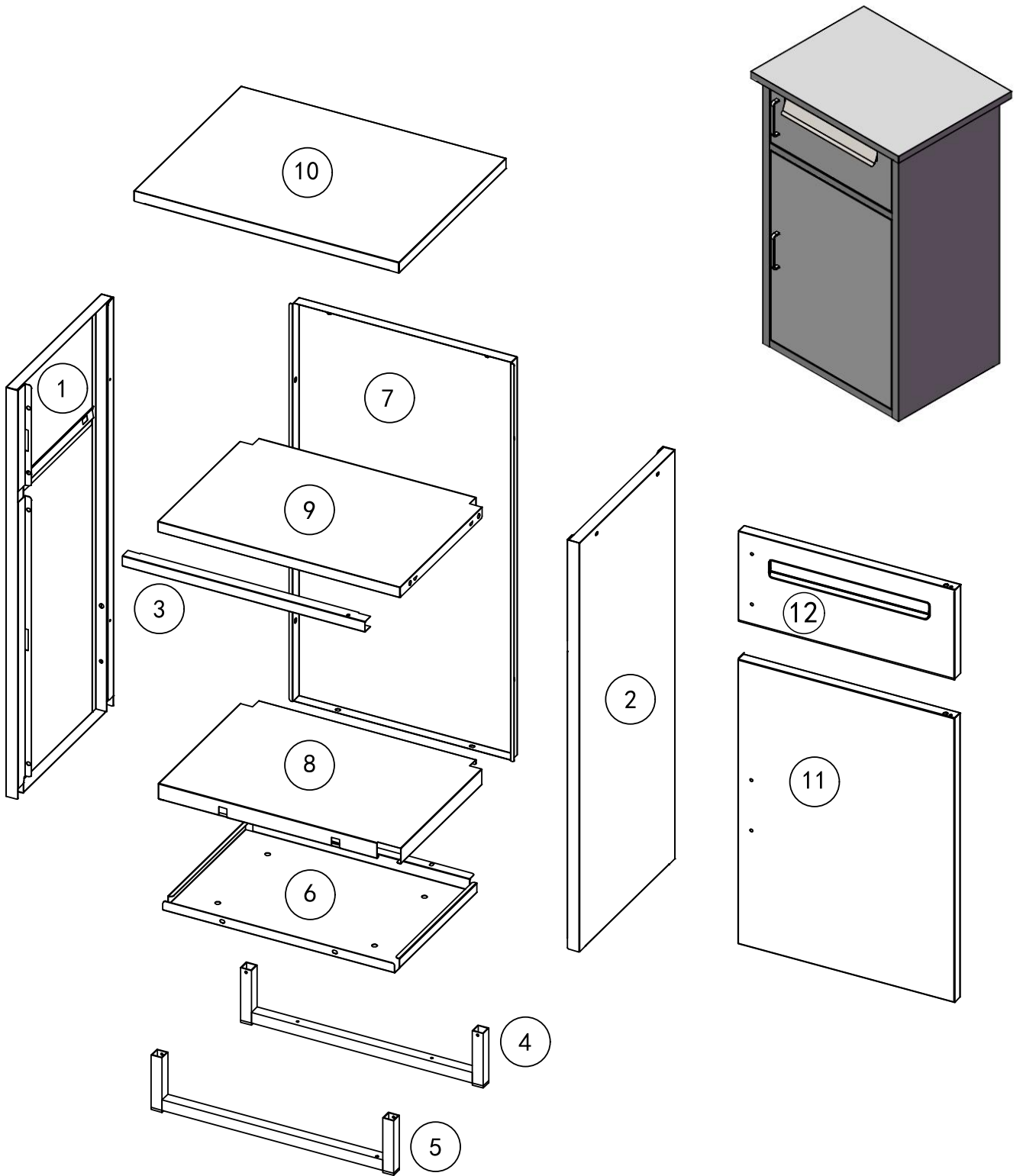
P × 1

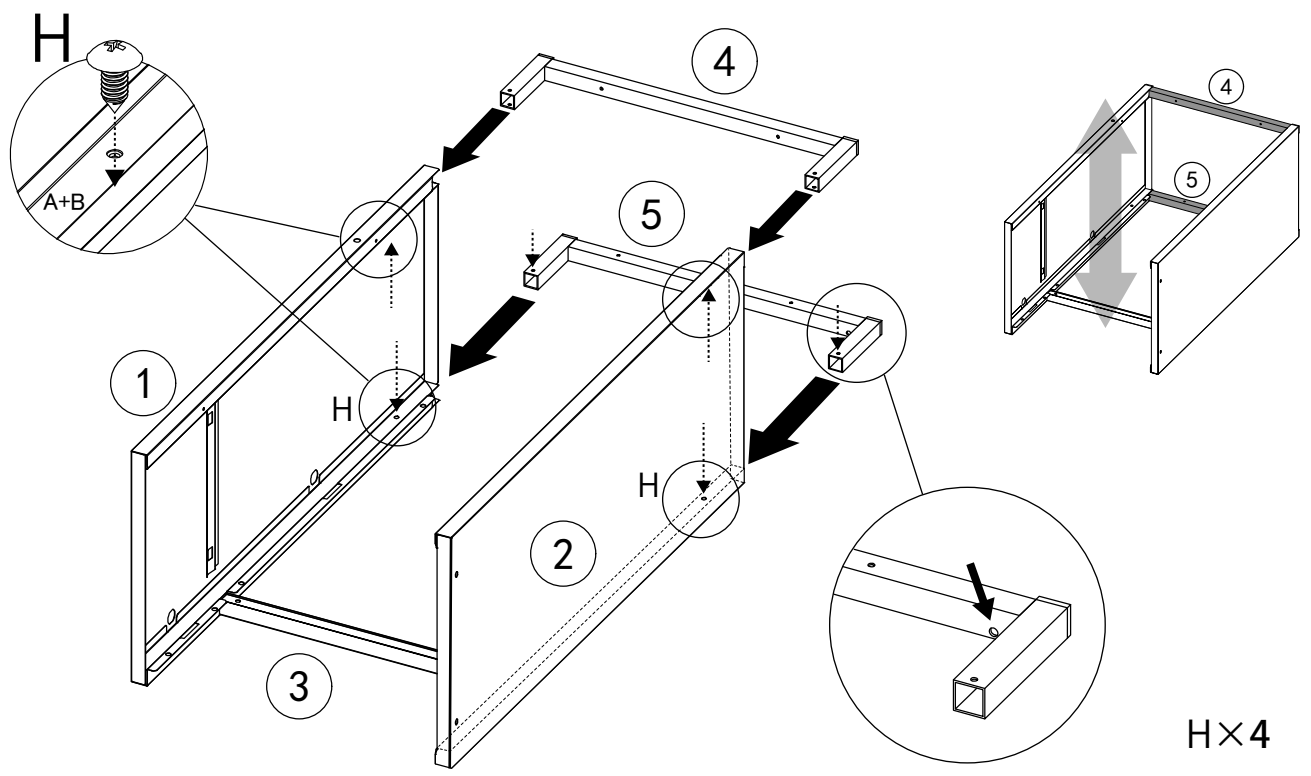
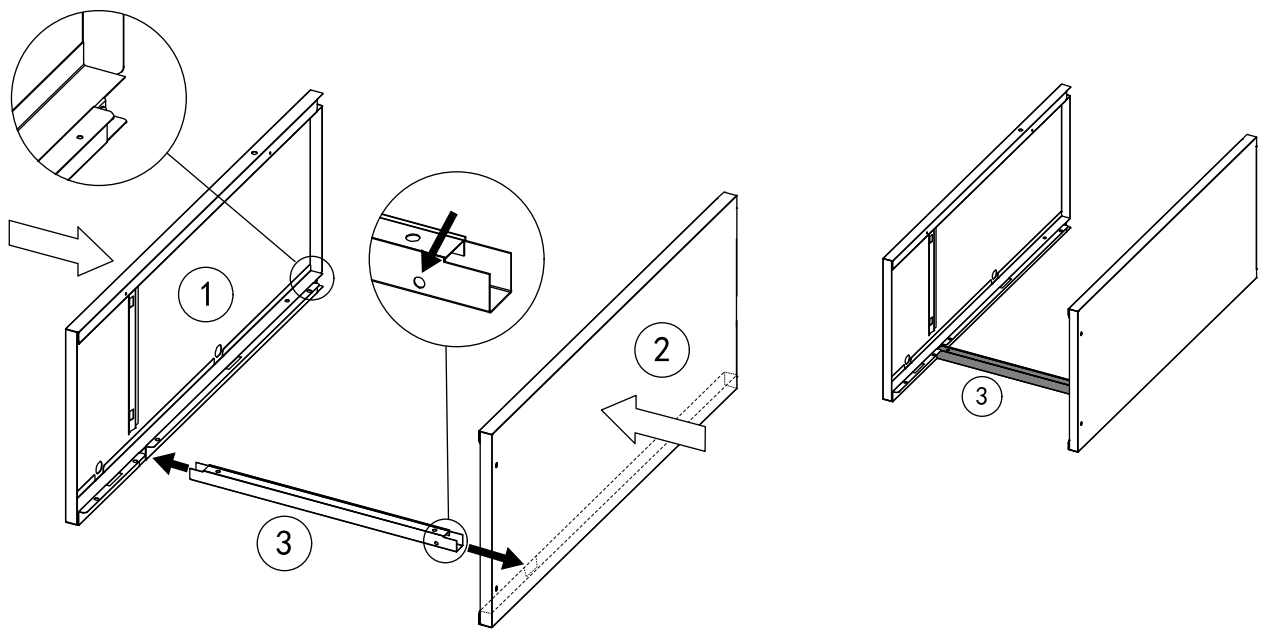


Q × 4



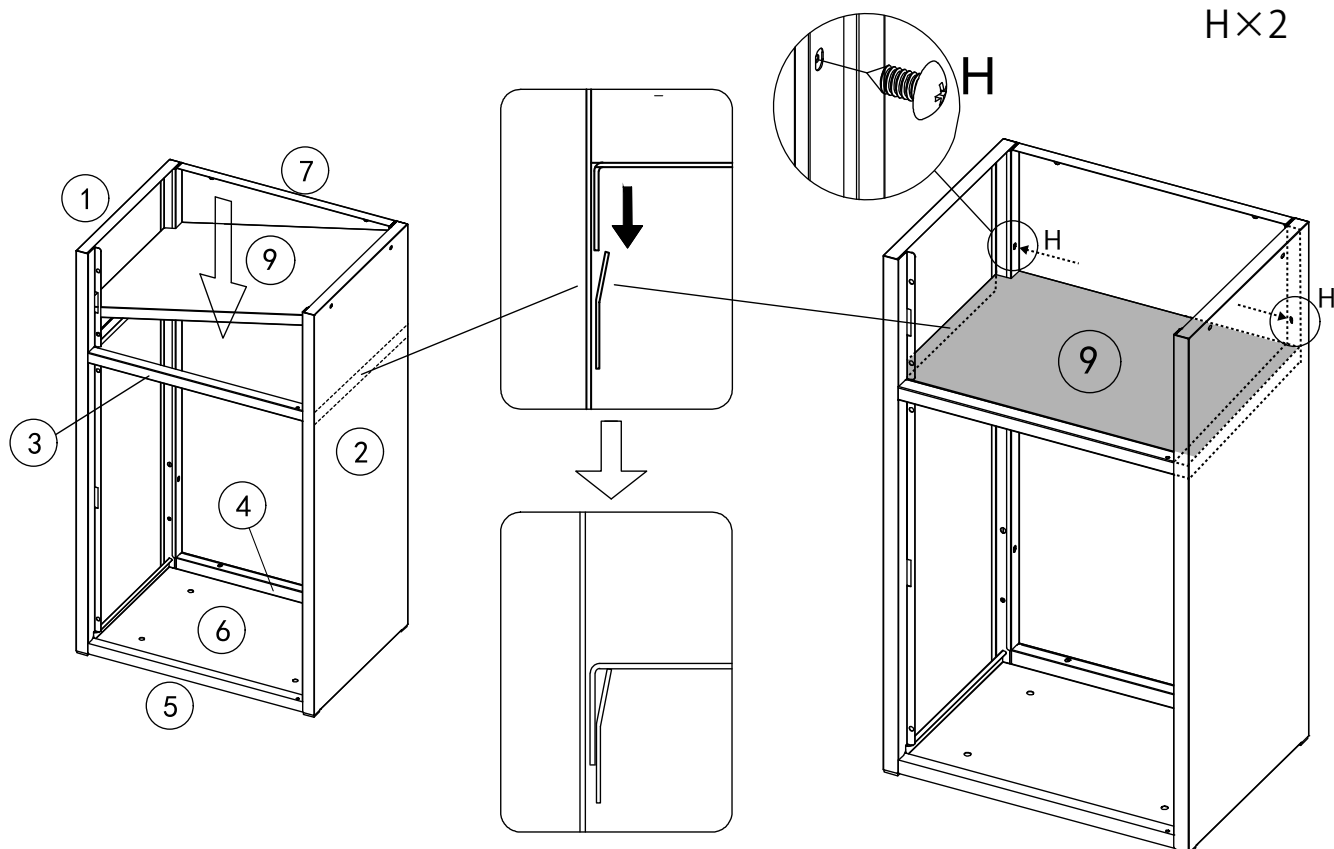




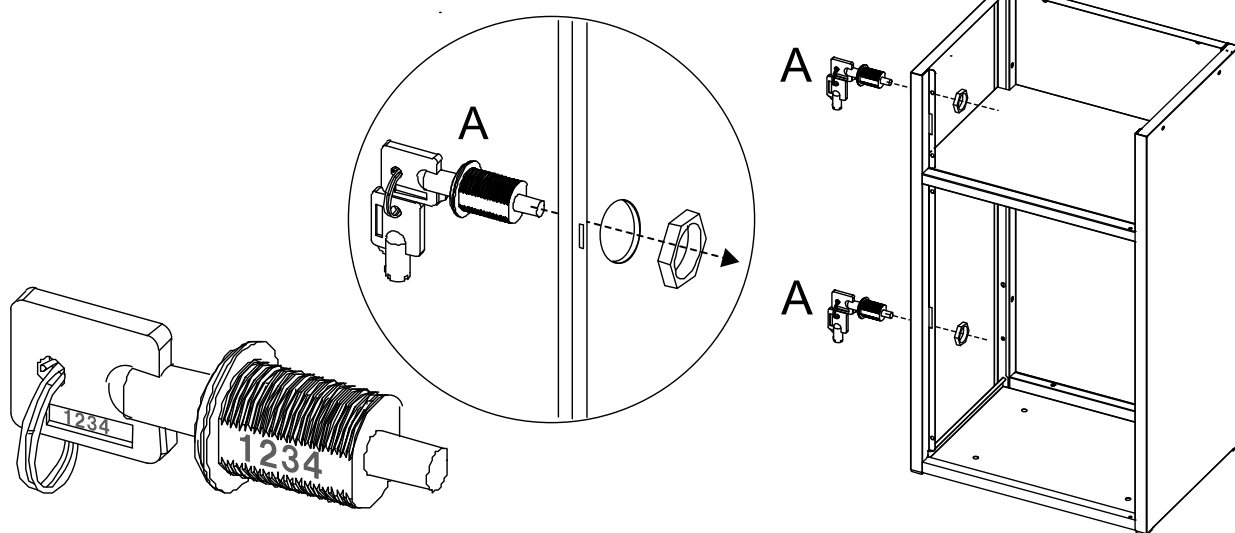


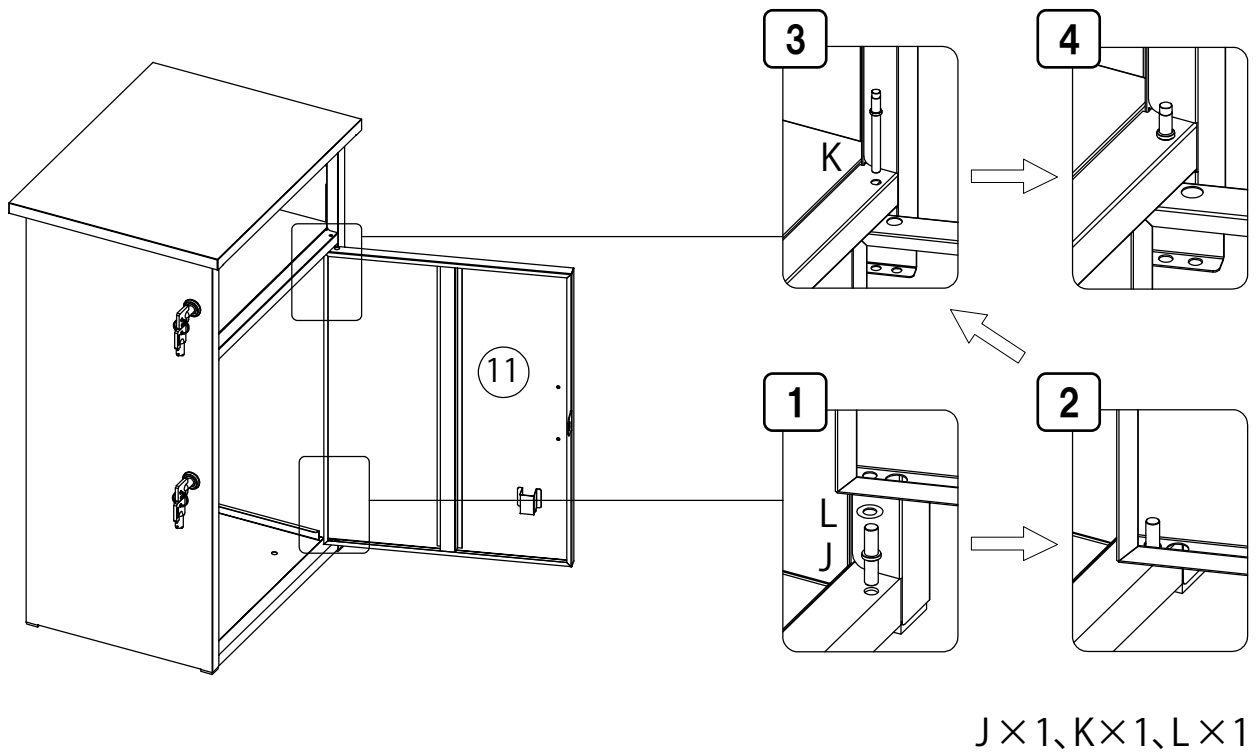
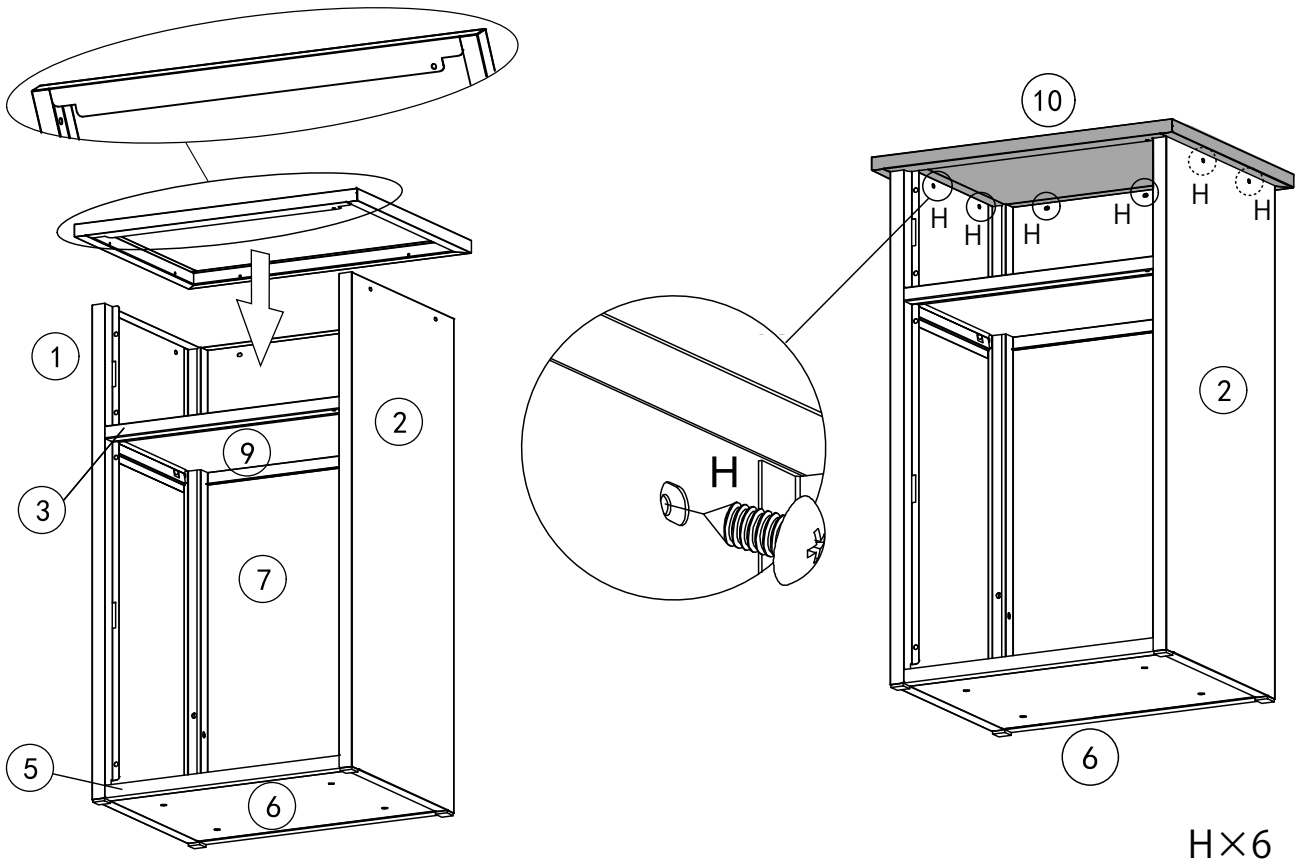
$H \times 4$

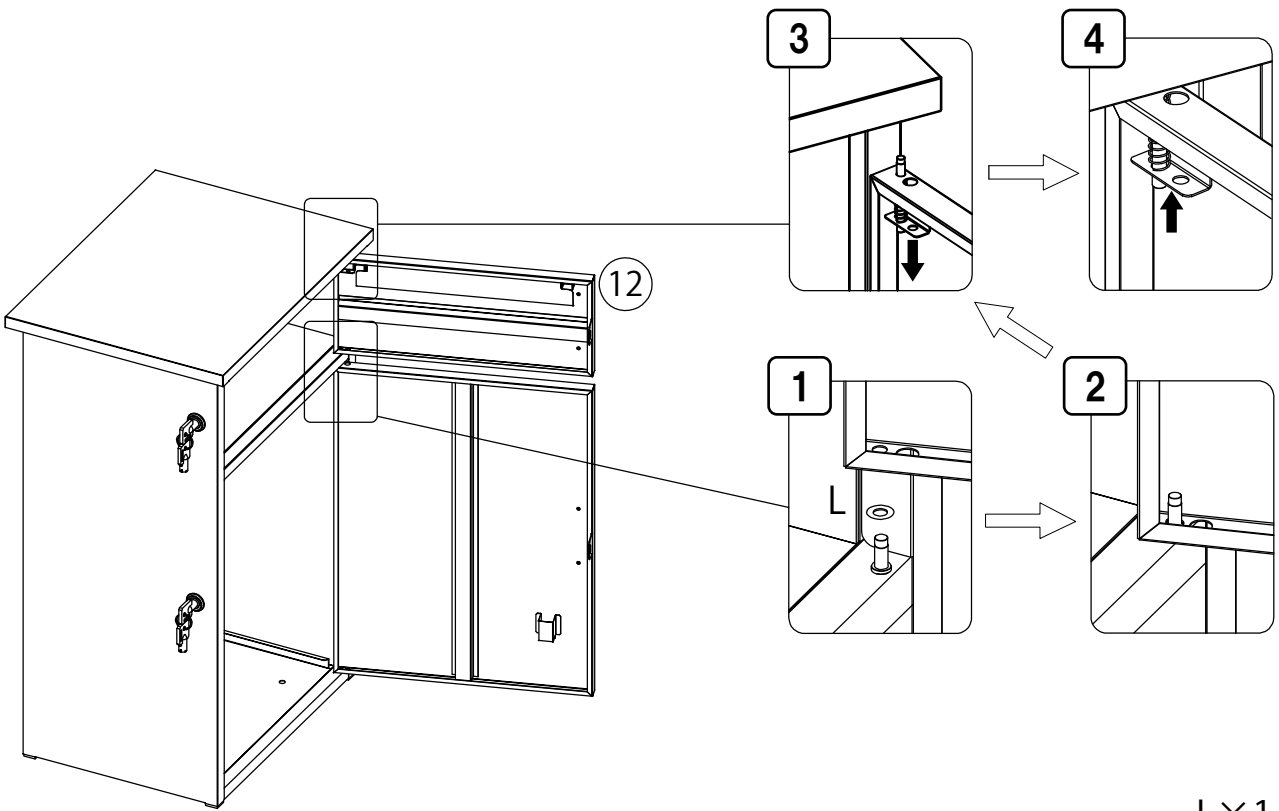
H×2



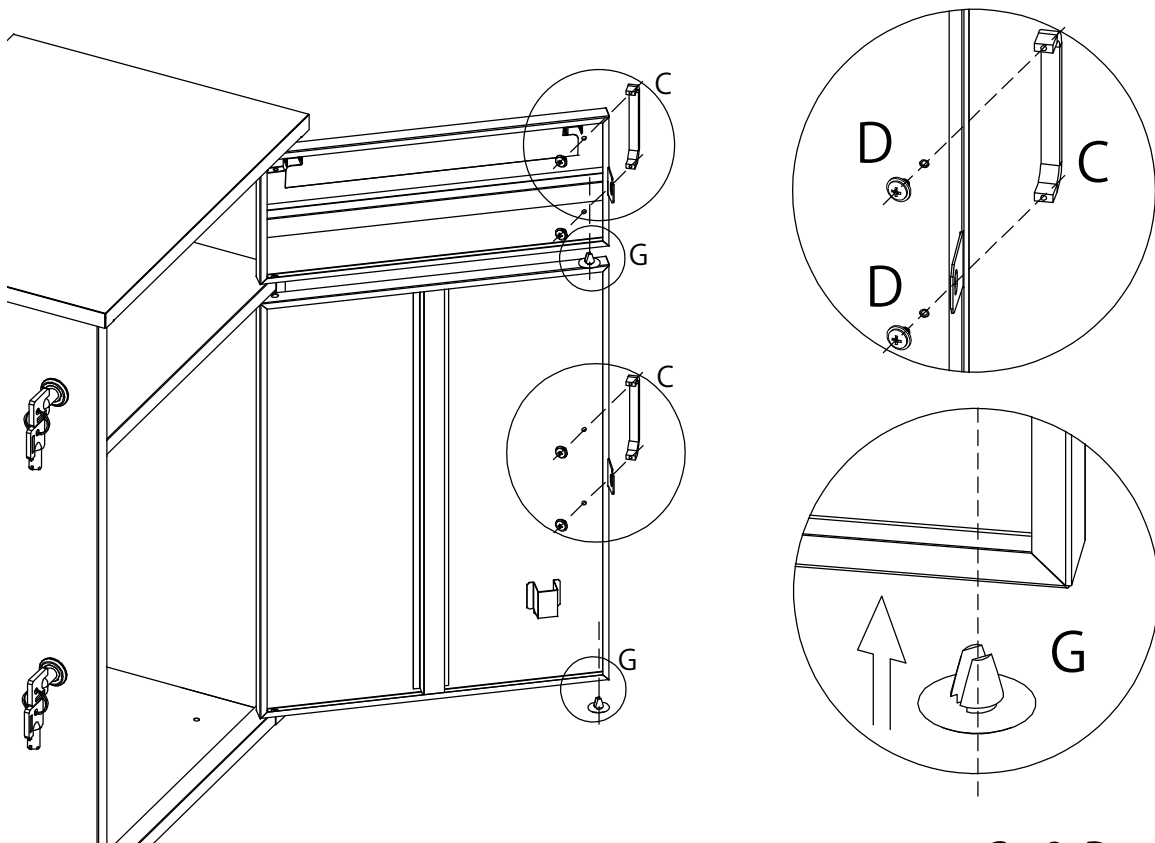
A×2



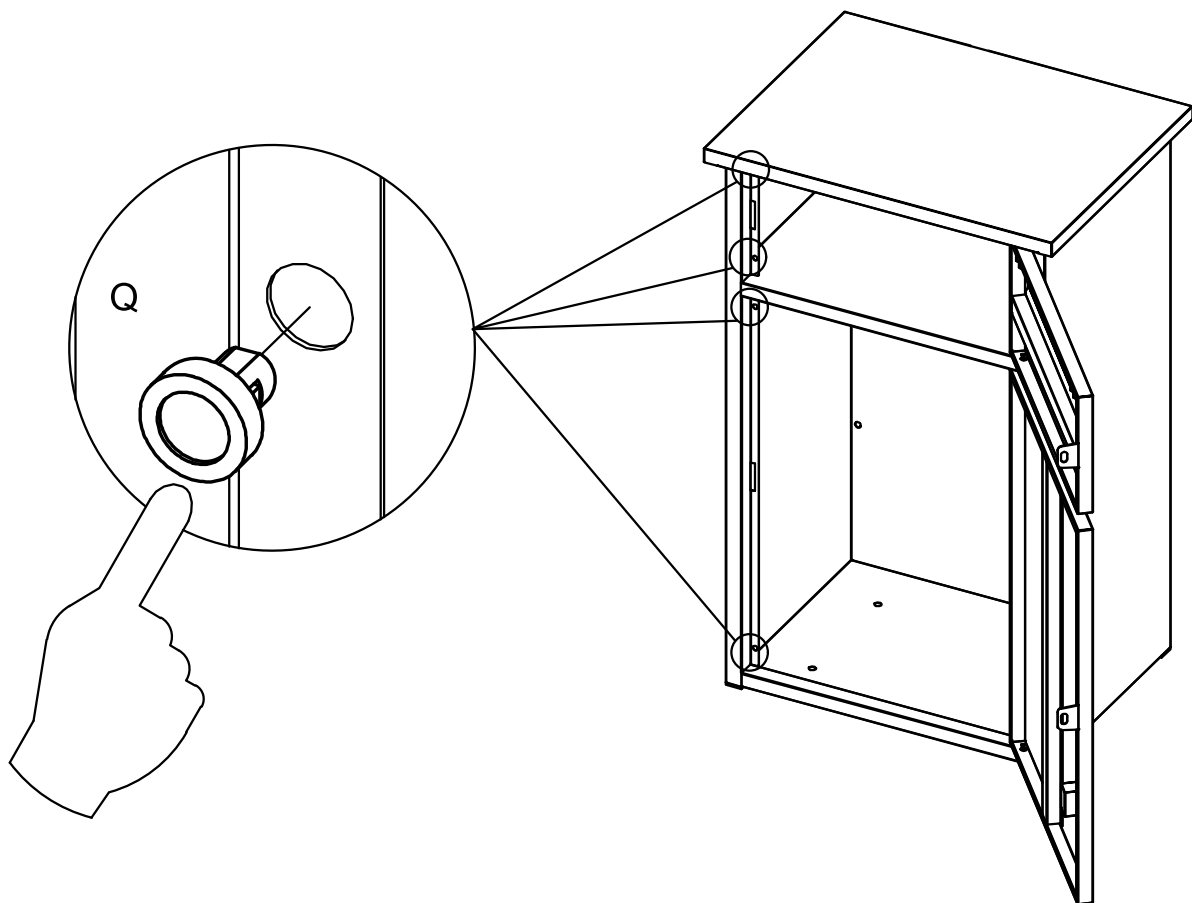




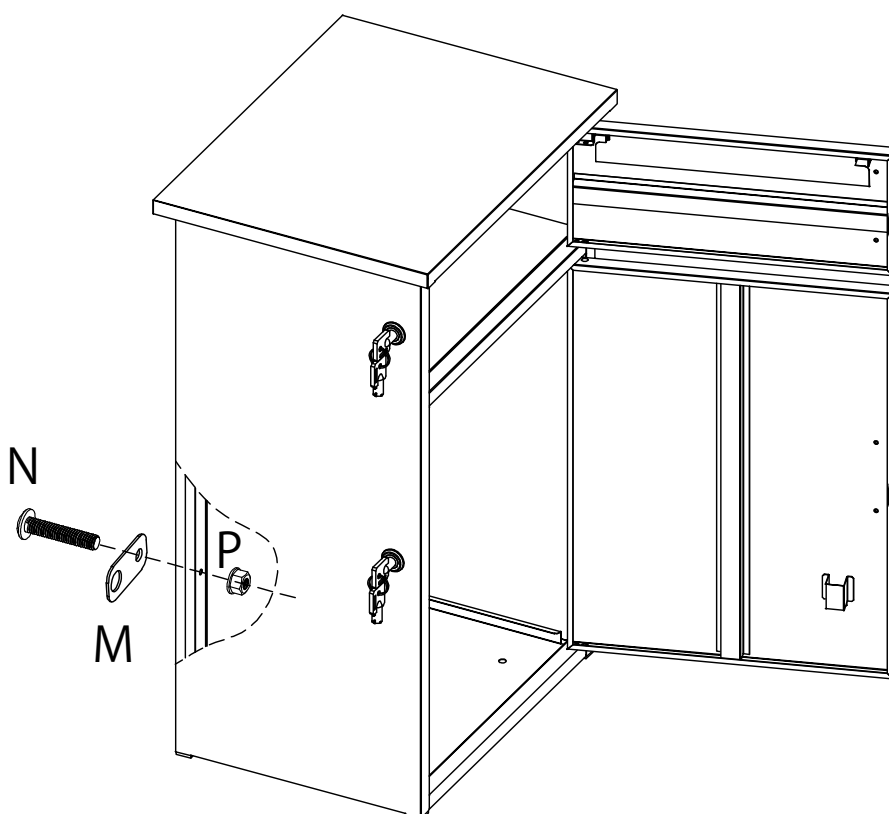
LX1



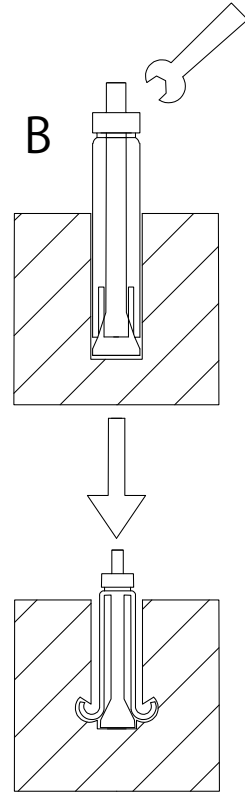
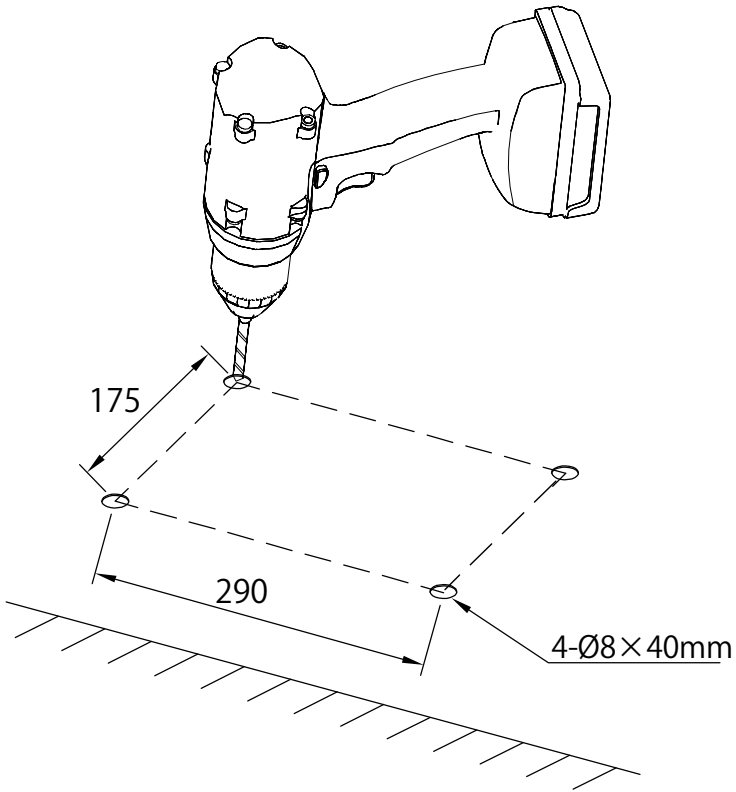
CX2, DX4, GX2



Q×4



M×1、N×1、P×1



B×4

