

Faucet Accessories Hand shower 3jet # UV06500150.. /  
UV06500150.. / UV0650015A.. / UV0650015A..

|< 56 mm >|



Hand shower 3jet	Dimension	Weight	Order number
Chrome/White High Gloss, Spray mode: SoftRain, Rain, IntenseRain, Spray mode selection: Rotating blasting disc, Silicone nubs			
<b>Colors</b>			
10 Chrome 46 Black Matt			
<b>Variant</b>			
Chrome, Ø 110 mm, Flow rate (3 bar): 14 l/min	245x110 mm	0.200 kg	UV06500150..
Black Matt, Ø 110 mm, Flow rate (3 bar): 14 l/min	245x110 mm	0.200 kg	UV06500150..
only for Asian markets, Chrome, Ø 110 mm, Flow rate (3 bar): 6 l/min	245x110 mm	0.200 kg	UV0650015A..
only for Asian markets, Black Matt, Ø 110 mm, Flow rate (3 bar): 6 l/min	245x110 mm	0.200 kg	UV0650015A..
<b>Suitable accessories for Chrome, Ø 110 mm, Flow rate (3 bar): 14 l/min</b>			
Single lever shower mixer for exposed installation Chrome, Water connection: 1/2", Ceramic cartridge, recommended operating pressure: 1 - 5 bar, Non-return valve in the hose connection, Noise class: II	209 x 133 mm	1.4 kg	B14230000
Thermostatic shower mixer for exposed installation Chrome, Water connection: 1/2", Thermostat cartridge, recommended operating pressure: 1 - 5 bar, Safety lock at 38 °C, Diverter valve, Non-return valve in the hose connection, Noise class: II	260 x 118 mm	1.8 kg	B14220000
Single lever shower mixer for concealed installation Number of outlets: 1, Chrome, Ceramic cartridge, Number of outlets: 1, recommended operating pressure: 1 - 5 bar, Escutcheon shape: Round, Diameter escutcheon: 170 mm, Including functional unit, Including trim parts	170 x 86 mm	1.8 kg	B14210010

**Faucet Accessories Hand shower 3jet # UV06500150.. / UV06500150.. / UV0650015A.. / UV0650015A..**

|< 56 mm >|

Single lever bathtub mixer for exposed installation Chrome, Ceramic cartridge, recommended operating pressure: 1 - 5 bar, Spray mode: Normal spray, Diverter valve, Non-return valve in the hose connection, Diverter automatically reverts from hand shower to bath spout when turned off, Noise class: II	209 x 171 mm	1.6 kg	B15230000
Single lever bathtub mixer for concealed installation Number of outlets: 2, Chrome, Ceramic cartridge, Consumer selection: Tub filler, Hand shower, Outlet/Diverter: Diverter valve, Number of outlets: 2, recommended operating pressure: 1 - 5 bar, Escutcheon shape: Round, Diameter escutcheon: 170 mm, Including functional unit, Including trim parts	170 x 86 mm	2.2 kg	B15210012
Single lever shower mixer for concealed installation Number of outlets: 1, Chrome, Ceramic cartridge, Number of outlets: 1, recommended operating pressure: 1 - 5 bar, Escutcheon shape: Round, Diameter escutcheon: 170 mm, Including functional unit, Including trim parts	170 x 87 mm	1.75 kg	B24210010
Single lever shower mixer for exposed installation Chrome, Ceramic cartridge, recommended operating pressure: 1 - 5 bar, Non-return valve in the hose connection, Noise class: II	179 x 137 mm	1.3 kg	B24230000
Thermostatic shower mixer for exposed installation Chrome, Thermostat cartridge, recommended operating pressure: 1 - 5 bar, Safety lock at 38 °C, Diverter valve, Non-return valve in the hose connection, Noise class: II	260 x 113.5 mm	1.8 kg	B24220000
Single lever bathtub mixer for exposed installation Chrome, Ceramic cartridge, recommended operating pressure: 1 - 5 bar, Spray mode: Normal spray, Diverter valve, Non-return valve in the hose connection, Diverter automatically reverts from hand shower to bath spout when turned off, Noise class: II	182 x 170 mm	1.68 kg	B25230000
Single lever bathtub mixer for concealed installation Number of outlets: 2, Chrome, Ceramic cartridge, Consumer selection: Tub filler, Hand shower, Outlet/Diverter: Diverter valve, Number of outlets: 2, recommended operating pressure: 1 - 5 bar, Escutcheon shape: Round, Diameter escutcheon: 170 mm, Including functional unit, Including trim parts	170 x 87 mm	2.15 kg	B25210012
Single lever shower mixer for concealed installation Number of outlets: 2, Chrome, Water connection: Basic Set, Ceramic cartridge, Consumer selection: Hand shower, Showerhead, Outlet/Diverter: Diverter valve, Number of outlets: 2, recommended operating pressure: 1 - 5 bar, Escutcheon shape: Round, Diameter escutcheon: 170 mm, Including functional unit, Including trim parts	170 x 86 mm	2.2 kg	B14210012
Single lever bathtub mixer for concealed installation Number of outlets: 2, Chrome, Water connection: Basic Set, Ceramic cartridge, Consumer selection: Tub filler, Hand shower, Outlet/Diverter: Diverter valve, Security combination, Number of outlets: 2, recommended operating pressure: 1 - 5 bar, Escutcheon shape: Round, Diameter escutcheon: 170 mm, Including functional unit, Including trim parts	170 x 86 mm	2.15 kg	B15210018
Single lever shower mixer for concealed installation Number of outlets: 2, Chrome, Water connection: Basic Set, Ceramic cartridge, Consumer selection: Hand shower, Showerhead, Outlet/Diverter: Diverter valve, Number of outlets: 2, recommended operating pressure: 1 - 5 bar, Escutcheon shape: Round, Diameter escutcheon: 170 mm, Including functional unit, Including trim parts	170 x 87 mm	2.15 kg	B24210012

**Faucet Accessories Hand shower 3jet # UV06500150.. / UV06500150.. / UV0650015A.. / UV0650015A..**

|< 56 mm >|

Single lever bathtub mixer for concealed installation Number of outlets: 2, Chrome, Water connection: Basic Set, Ceramic cartridge, Consumer selection: Tub filler, Hand shower, Outlet/Diverter: Diverter valve, Security combination, Number of outlets: 2, recommended operating pressure: 1 - 5 bar, Escutcheon shape: Round, Diameter escutcheon: 170 mm, Including functional unit, Including trim parts	170 x 87 mm	2.12 kg	B25210018
Single lever bathtub mixer for concealed installation Number of outlets: 2, Water connection: Basic Set, Ceramic cartridge, Consumer selection: Tub filler, Hand shower, Outlet/Diverter: Diverter valve, Security combination, Number of outlets: 2, recommended operating pressure: 1 - 5 bar, Flow rate (3 bar): 22,5 l/min, Escutcheon shape: Round, Diameter escutcheon: 170 mm, Including functional unit, Including trim parts	170 x 77 mm	2 kg	C15210018
Single lever bathtub mixer for concealed installation Number of outlets: 2, Water connection: Basic Set, Ceramic cartridge, Consumer selection: Tub filler, Hand shower, Outlet/Diverter: Diverter valve, Security combination, Number of outlets: 2, recommended operating pressure: 1 - 5 bar, Flow rate (3 bar): 22,5 l/min, Escutcheon shape: Square, Including functional unit, Including trim parts	150 x 77 mm	2 kg	C15210017
Single lever shower mixer for exposed installation Chrome, Water connection: 1/2", Ceramic cartridge, recommended operating pressure: 3 - 5 bar, Non-return valve in the hose connection, Flow rate (3 bar): 18,5 l/min	209 x 140 mm	1.17 kg	DE4230000
Single lever bathtub mixer for exposed installation Chrome, Water connection: 1/2", Ceramic cartridge, recommended operating pressure: 1 - 5 bar, Spray mode: Normal spray, Diverter valve, Non-return valve in the hose connection, Diverter automatically reverts from hand shower to bath spout when turned off, Flow rate (3 bar): 20,9 l/min	208 x 136 mm	1.41 kg	DE5230000
Single lever shower mixer for concealed installation Number of outlets: 1, Chrome, Ceramic cartridge, Number of outlets: 1, recommended operating pressure: 1 - 5 bar, Escutcheon shape: Round, Diameter escutcheon: 170 mm, Including functional unit, Including trim parts	170 x 80 mm	1.8 kg	DE4210010
Single lever shower mixer for concealed installation Number of outlets: 2, Chrome, Water connection: Basic Set, Ceramic cartridge, Consumer selection: Hand shower, Showerhead, Outlet/Diverter: Diverter valve, Number of outlets: 2, recommended operating pressure: 1 - 5 bar, Escutcheon shape: Round, Diameter escutcheon: 170 mm, Including functional unit, Including trim parts	170 x 80 mm	2.1 kg	DE4210012
Single lever bathtub mixer for concealed installation Number of outlets: 2, Chrome, Ceramic cartridge, Consumer selection: Hand shower, Tub filler, Outlet/Diverter: Diverter valve, Number of outlets: 2, recommended operating pressure: 1 - 5 bar, Escutcheon shape: Round, Diameter escutcheon: 170 mm, Including functional unit, Including trim parts	170 x 80 mm	2.1 kg	DE5210012
Single lever bathtub mixer for concealed installation Number of outlets: 2, Chrome, Water connection: Basic Set, Ceramic cartridge, Consumer selection: Hand shower, Tub filler, Outlet/Diverter: Diverter valve, Security combination, Number of outlets: 2, recommended operating pressure: 1 - 5 bar, Escutcheon shape: Round, Diameter escutcheon: 170 mm, Including functional unit, Including trim parts	170 x 80 mm	2.2 kg	DE5210018

**Faucet Accessories Hand shower 3jet # UV06500150.. / UV06500150.. / UV0650015A.. / UV0650015A..**

|< 56 mm >|

Single lever shower mixer for concealed installation Number of outlets: 1, Chrome, Water connection: Basic Set, Ceramic cartridge, Number of outlets: 1, recommended operating pressure: 1 - 5 bar, Escutcheon shape: Round, Diameter escutcheon: 170 mm, Including functional unit, Including trim parts	170 x 97 mm	1.8 kg	WT4210010
Single lever shower mixer for concealed installation Number of outlets: 2, Chrome, Water connection: Basic Set, Ceramic cartridge, Consumer selection: Hand shower, Showerhead, Outlet/Diverter: Diverter valve, Number of outlets: 2, recommended operating pressure: 1 - 5 bar, Escutcheon shape: Round, Diameter escutcheon: 170 mm, Including functional unit, Including trim parts	170 x 97 mm	2.2 kg	WT4210012
Single lever bathtub mixer for concealed installation Number of outlets: 2, Chrome, Water connection: Basic Set, Ceramic cartridge, Consumer selection: Tub filler, Hand shower, Outlet/Diverter: Diverter valve, Security combination, Number of outlets: 2, recommended operating pressure: 1 - 5 bar, Flow rate (3 bar): 22,5 l/min, Escutcheon shape: Round, Diameter escutcheon: 170 mm, Including functional unit, Including trim parts	170 x 97 mm	2.2 kg	WT5210012
Single lever bathtub mixer for concealed installation Number of outlets: 2, Chrome, Water connection: Basic Set, Ceramic cartridge, Consumer selection: Tub filler, Hand shower, Outlet/Diverter: Diverter valve, Security combination, Number of outlets: 2, recommended operating pressure: 1 - 5 bar, Flow rate (3 bar): 22,5 l/min, Escutcheon shape: Round, Diameter escutcheon: 170 mm, Including functional unit, Including trim parts	170 x 97 mm	2.2 kg	WT5210018
Single lever shower mixer for exposed installation Chrome, Water connection: S-connections, 1/2", Centre distance: 150 mm ± 10 mm, Ceramic cartridge, recommended operating pressure: 1 - 5 bar, Flow rate (3 bar): 12,5 l/min	215 x 128 mm	0.9 kg	N14230000
Single lever bathtub mixer for exposed installation Chrome, Water connection: S-connections, 1/2", Centre distance: 150 mm ± 10 mm, Ceramic cartridge, recommended operating pressure: 1 - 5 bar, Spray mode: Normal spray, Diverter valve, Diverter automatically reverts from hand shower to bath spout when turned off, Flow rate (3 bar): 20,2 l/min	216 x 178 mm	1.3 kg	N15230000
Single lever mixer concealed set Number of outlets: 1, Chrome, Water connection: Basic Set, Ceramic cartridge, Number of outlets: 1, recommended operating pressure: 1 - 5 bar, Escutcheon shape: Round, Including functional unit, Including trim parts	115 x 83 mm	0.7 kg	N14210007
Single lever mixer concealed set Number of outlets: 2, Chrome, Water connection: Basic Set, Ceramic cartridge, Outlet/Diverter: Diverter valve, Number of outlets: 2, recommended operating pressure: 1 - 5 bar, Escutcheon shape: Round, Including functional unit, Including trim parts	137 x 86 mm	1.4 kg	N15210008
Single lever bathtub mixer for concealed installation Number of outlets: 2, Water connection: Basic Set, Ceramic cartridge, Consumer selection: Hand shower, Tub filler, Outlet/Diverter: Diverter valve, Security combination, Number of outlets: 2, recommended operating pressure: 1 - 5 bar, Flow rate (3 bar): 22,5 l/min, Escutcheon shape: Round, Including functional unit, Including trim parts	170 x 86 mm	2.2 kg	TU5210018

**Faucet Accessories Hand shower 3jet # UV06500150.. / UV06500150.. / UV0650015A.. / UV0650015A..**

|< 56 mm >|

Single lever mixer concealed set Number of outlets: 2, Water connection: Basic Set, Ceramic cartridge, Consumer selection: Tub filler, Hand shower, Outlet/Diverter: Diverter automatically reverts from hand shower to bath spout when turned off, Number of outlets: 2, recommended operating pressure: 1 - 5 bar, Escutcheon shape: Round, Including functional unit, Including trim parts	125 x 73 mm	1.58 kg	CE4210008
Single lever shower mixer for exposed installation Water connection: 1/2", Ceramic cartridge, recommended operating pressure: 1 - 5 bar, Non-return valve in the hose connection	255 x 72 mm	1.68 kg	CE4230000
Single lever mixer concealed set Number of outlets: 1, Water connection: Basic Set, Ceramic cartridge, Number of outlets: 1, recommended operating pressure: 1 - 5 bar, Escutcheon shape: Round, Including functional unit, Including trim parts	125 x 72 mm	1.1 kg	CE4210007
Single lever bathtub mixer for exposed installation Water connection: 1/2", Ceramic cartridge, recommended operating pressure: 1 - 5 bar, Spray mode: Normal spray, Diverter valve, Non-return valve in the hose connection, Diverter valve	290 x 201 mm	2.23 kg	CE5230000
Single lever mixer concealed set Number of outlets: 1, Water connection: Basic Set, Ceramic cartridge, Number of outlets: 1, recommended operating pressure: 1 - 5 bar, Escutcheon shape: Round, Including functional unit, Including trim parts	125 x 88 mm	1.17 kg	WA4210007
Single lever mixer concealed set Number of outlets: 1, Water connection: Basic Set, Ceramic cartridge, Number of outlets: 1, recommended operating pressure: 1 - 5 bar, Escutcheon shape: Square, 130x130 mm, Including functional unit, Including trim parts	130 x 76 mm	1.08 kg	MH4210007
Single lever mixer concealed set Number of outlets: 2, Water connection: Basic Set, Ceramic cartridge, Outlet/Diverter: Diverter automatically reverts from hand shower to bath spout when turned off, Number of outlets: 2, recommended operating pressure: 1 - 5 bar, Escutcheon shape: Round, Including functional unit, Including trim parts	125 x 89 mm	1.63 kg	WA4210008
Single lever mixer concealed set Number of outlets: 2, Water connection: Basic Set, Ceramic cartridge, Outlet/Diverter: Diverter automatically reverts from hand shower to bath spout when turned off, Number of outlets: 2, recommended operating pressure: 1 - 5 bar, Escutcheon shape: Square, 125x171 mm, Including functional unit, Including trim parts	125 x 76 mm	1.61 kg	MH4210008
Single lever shower mixer for concealed installation Number of outlets: 2, Chrome, Water connection: Basic Set, Ceramic cartridge, Consumer selection: Hand shower, Showerhead, Outlet/Diverter: Diverter valve, Number of outlets: 2, recommended operating pressure: 1 - 5 bar, Escutcheon shape: Round, Diameter escutcheon: 170 mm, Including functional unit, Including trim parts	170 x 86 mm	1.75 kg	N14210012
Single lever shower mixer for concealed installation Number of outlets: 1, Chrome, Water connection: Basic Set, Ceramic cartridge, Number of outlets: 1, recommended operating pressure: 1 - 5 bar, Escutcheon shape: Round, Diameter escutcheon: 170 mm, Including functional unit, Including trim parts	170 x 86 mm	1.75 kg	N14210010

**Faucet Accessories Hand shower 3jet # UV06500150.. / UV06500150.. / UV0650015A.. / UV0650015A..**

|< 56 mm >|

Single lever bathtub mixer for concealed installation Number of outlets: 2, Chrome, Water connection: Basic Set, Ceramic cartridge, Consumer selection: Tub filler, Hand shower, Outlet/Diverter: Diverter valve, Number of outlets: 2, recommended operating pressure: 1 - 5 bar, Escutcheon shape: Round, Diameter escutcheon: 170 mm, Including functional unit, Including trim parts	170 x 86 mm	1.75 kg	N15210012
Single lever shower mixer for concealed installation Number of outlets: 1, Water connection: Basic Set, Ceramic cartridge, Number of outlets: 1, recommended operating pressure: 1 - 5 bar, Flow rate (3 bar): 24,5 l/min, Escutcheon shape: Round	170 x 82 mm	1.66 kg	CE4210010
Single lever shower mixer for concealed installation Number of outlets: 2, Water connection: Basic Set, Ceramic cartridge, Consumer selection: Hand shower, Showerhead, Outlet/Diverter: Diverter valve, Number of outlets: 2, recommended operating pressure: 1 - 5 bar, Flow rate (3 bar): 22,5 l/min, Escutcheon shape: Round	170 x 82 mm	1.9 kg	CE4210012
Single lever bathtub mixer for concealed installation Number of outlets: 2, Water connection: Basic Set, Ceramic cartridge, Consumer selection: Hand shower, Tub filler, Outlet/Diverter: Diverter valve, Number of outlets: 2, recommended operating pressure: 1 - 5 bar, Flow rate (3 bar): 22,5 l/min, Escutcheon shape: Round, Including functional unit, Including trim parts	170 x 82 mm	1.9 kg	CE5210012
<b>Suitable accessories for Chrome, Ø 110 mm, Flow rate (3 bar): 14 l/min, Black Matt, Ø 110 mm, Flow rate (3 bar): 14 l/min</b>			
Single lever shower mixer for exposed installation Ceramic cartridge, recommended operating pressure: 1 - 5 bar, Flow rate (3 bar): 12,6 l/min, Noise class: II	272 x 103 mm	1.69 kg	C14230000
Single lever bathtub mixer for exposed installation Ceramic cartridge, recommended operating pressure: 1 - 5 bar, Spray mode: Normal spray, Diverter valve, Non-return valve in the hose connection, Diverter valve, Noise class: II	314 x 190 mm	2.35 kg	C15230000
Single lever bathtub mixer for concealed installation Number of outlets: 2, Water connection: Basic Set, Ceramic cartridge, Consumer selection: Tub filler, Hand shower, Outlet/Diverter: Diverter valve, Number of outlets: 2, recommended operating pressure: 1 - 5 bar, Flow rate (3 bar): 22,5 l/min, Escutcheon shape: Round, Diameter escutcheon: 170 mm, Including functional unit, Including trim parts	170 x 77 mm	1.9 kg	C15210012
Single lever shower mixer for concealed installation Number of outlets: 1, Ceramic cartridge, Number of outlets: 1, recommended operating pressure: 1 - 5 bar, Escutcheon shape: Square, Including functional unit, Including trim parts	150 x 77 mm	1.63 kg	C14210009
Single lever shower mixer for concealed installation Number of outlets: 1, Water connection: Basic Set, Ceramic cartridge, Number of outlets: 1, recommended operating pressure: 1 - 5 bar, Escutcheon shape: Round, Diameter escutcheon: 170 mm, Including functional unit, Including trim parts	170 x 77 mm	1.66 kg	C14210010
Single lever shower mixer for concealed installation Number of outlets: 2, Water connection: Basic Set, Ceramic cartridge, Consumer selection: Hand shower, Showerhead, Outlet/Diverter: Diverter valve, Number of outlets: 2, recommended operating pressure: 1 - 5 bar, Escutcheon shape: Square, Including functional unit, Including trim parts	150 x 77 mm	1.88 kg	C14210011

**Faucet Accessories Hand shower 3jet # UV06500150.. / UV06500150.. / UV0650015A.. / UV0650015A..**

|&lt; 56 mm &gt;|

Single lever shower mixer for concealed installation Number of outlets: 2, Water connection: Basic Set, Ceramic cartridge, Consumer selection: Hand shower, Showerhead, Outlet/Diverter: Diverter valve, Number of outlets: 2, recommended operating pressure: 1 - 5 bar, Escutcheon shape: Round, Diameter escutcheon: 170 mm, Including functional unit, Including trim parts	170 x 77 mm	1.9 kg	C14210012
Single lever bathtub mixer for concealed installation Number of outlets: 2, Ceramic cartridge, Consumer selection: Tub filler, Hand shower, Outlet/Diverter: Diverter valve, Number of outlets: 2, recommended operating pressure: 1 - 5 bar, Flow rate (3 bar): 22,5 l/min, Escutcheon shape: Square, Including functional unit, Including trim parts	150 x 77 mm	2.03 kg	C15210011
Single lever shower mixer for exposed installation Ceramic cartridge, recommended operating pressure: 1 - 5 bar, Non-return valve in the hose connection	280 x 113 mm	3.4 kg	TU4230000
Single lever shower mixer for concealed installation Number of outlets: 1, Ceramic cartridge, Number of outlets: 1, recommended operating pressure: 1 - 5 bar, Escutcheon shape: Round, Including functional unit, Including trim parts	170 x 86 mm	1.8 kg	TU4210010
Single lever shower mixer for concealed installation Number of outlets: 2, Water connection: Basic Set, Ceramic cartridge, Consumer selection: Showerhead, Hand shower, Outlet/Diverter: Diverter valve, Number of outlets: 2, recommended operating pressure: 1 - 5 bar, Escutcheon shape: Round, Including functional unit, Including trim parts	170 x 86 mm	2.2 kg	TU4210012
Single lever bathtub mixer for concealed installation Number of outlets: 2, Ceramic cartridge, Consumer selection: Hand shower, Tub filler, Outlet/Diverter: Diverter valve, Number of outlets: 2, recommended operating pressure: 1 - 5 bar, Flow rate (3 bar): 22,5 l/min, Escutcheon shape: Round, Including functional unit, Including trim parts	170 x 86 mm	2.2 kg	TU5210012
Single lever bathtub mixer for exposed installation Ceramic cartridge, recommended operating pressure: 1 - 5 bar, Spray mode: Normal spray, Diverter valve, Non-return valve in the hose connection, Diverter valve	313 x 191 mm	3.9 kg	TU5230000
Shower rail 700 mm, Hand shower holder: height adjustable	700 x 100 mm	0.32 kg	UV0600003
Shower rail 900 100 mm, Hand shower holder: height adjustable	900 x 70 mm	0.36 kg	UV0600004
wall outlet Round, Non-return valve: Individually, in the hose connection, Escutcheon shape: Round, Hand shower holder: Fixed	55 x 80 mm	0.27 kg	UV0630008
wall outlet Round, Non-return valve: Individually, in the hose connection, Escutcheon shape: Round	55 x 102 mm	0.3 kg	UV0630009
wall outlet Square, Non-return valve: Individually, in the hose connection, Escutcheon shape: Square, Hand shower holder: Fixed	55 x 102 mm	0.3 kg	UV0630010
wall outlet Square, Non-return valve: Individually, in the hose connection, Escutcheon shape: Square	55 x 80 mm	0.27 kg	UV0630011
Hand shower holder Material: ABS, Hand shower holder: Fixed, Mounting bracket shape: Conical	38 x 58 mm	0.04 kg	UV0620001
Shower hose Rotation lock: Yes, Nut shape: Conical, 1250 mm	1250 x 23 mm	0.28 kg	UV0610006
Shower hose Rotation lock: Yes, Nut shape: Conical, 1600 mm	1600 x 23 mm	0.345 kg	UV0610007

**Faucet Accessories Hand shower 3jet # UV06500150.. / UV06500150.. / UV0650015A.. / UV0650015A..**

|< 56 mm >|

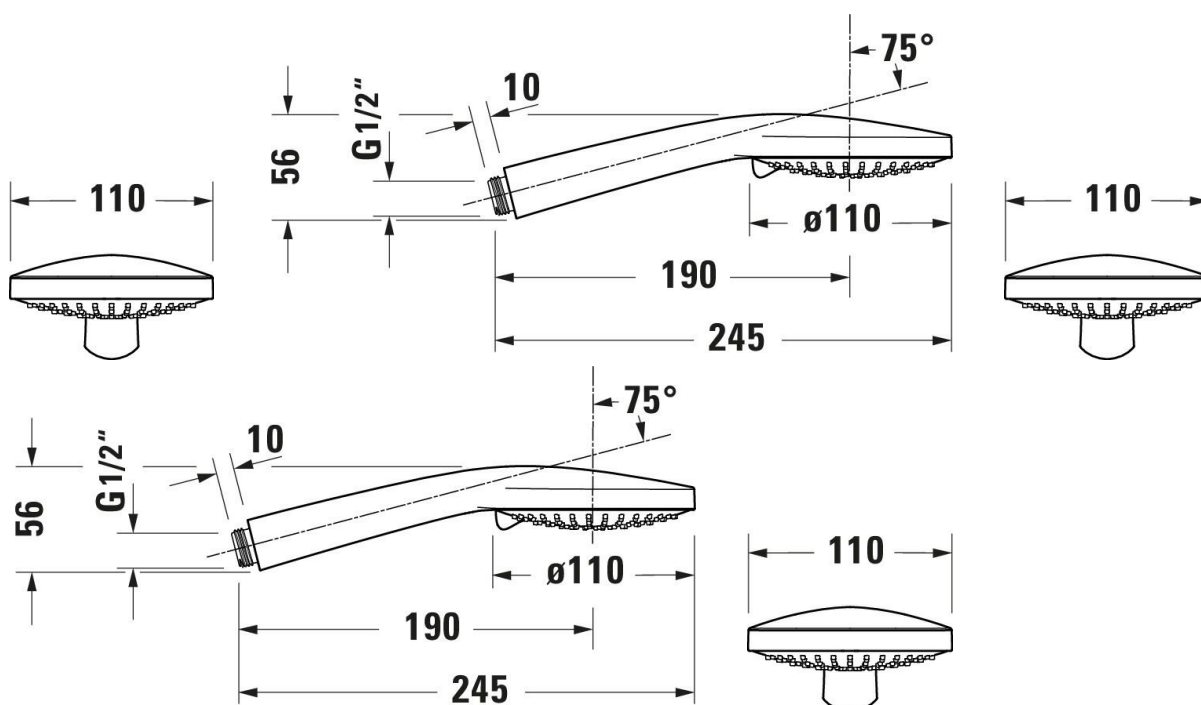
Shower hose Rotation lock: Yes, Nut shape: Conical, 1800 mm	1800 x 23 mm	0.375 kg	UV0610008
Single lever shower mixer for exposed installation Water connection: S-connections, 1/2", Ceramic cartridge, recommended operating pressure: 1 - 5 bar, Non-return valve in the hose connection	216 x 165 mm	1.66 kg	WA4230000
Single lever bathtub mixer for exposed installation Water connection: S-connections, 1/2", Ceramic cartridge, recommended operating pressure: 1 - 5 bar, Spray mode: Normal spray, Diverter valve, Non-return valve in the hose connection, Diverter automatically reverts from hand shower to bath spout when turned off	216 x 198 mm	1.93 kg	WA5230000
Single lever shower mixer for exposed installation Water connection: 1/2", Ceramic cartridge, recommended operating pressure: 1 - 5 bar	255 x 72 mm	1.74 kg	MH4230000
Single lever bathtub mixer for exposed installation Anschlussart: 1/2", Ceramic cartridge, recommended operating pressure: 1 - 5 bar, Spray mode: Normal spray, Diverter valve	286 x 213 mm	2.57 kg	MH5230000
Single lever shower mixer for concealed installation Number of outlets: 1, Water connection: Basic Set, Ceramic cartridge, Number of outlets: 1, recommended operating pressure: 1 - 5 bar, Escutcheon shape: Square, Including functional unit, Including trim parts	150 x 82 mm	1.75 kg	MH4210010
Single lever shower mixer for concealed installation Number of outlets: 2, Water connection: Basic Set, Ceramic cartridge, Consumer selection: Hand shower, Showerhead, Outlet/Diverter: Diverter valve, Number of outlets: 2, recommended operating pressure: 1 - 5 bar, Escutcheon shape: Square, Including functional unit, Including trim parts	150 x 82 mm	2.15 kg	MH4210012
Single lever bathtub mixer for concealed installation Number of outlets: 2, Water connection: Basic Set, Ceramic cartridge, Consumer selection: Tub filler, Hand shower, Outlet/Diverter: Diverter valve, Number of outlets: 2, recommended operating pressure: 1 - 5 bar, Escutcheon shape: Square, Including functional unit, Including trim parts	150 x 82 mm	2.2 kg	MH5210012
Single lever bathtub mixer for concealed installation Number of outlets: 2, Water connection: Basic Set, Ceramic cartridge, Consumer selection: Hand shower, Tub filler, Outlet/Diverter: Diverter valve, Number of outlets: 2, recommended operating pressure: 1 - 5 bar, Escutcheon shape: Round, Including trim parts	170 x 92 mm	2.2 kg	WA5210012
Single lever shower mixer for concealed installation Number of outlets: 1, Water connection: Basic Set, Ceramic cartridge, Number of outlets: 1, recommended operating pressure: 1 - 5 bar, Escutcheon shape: Round, Including functional unit, Including trim parts	170 x 92 mm	1.8 kg	WA4210010
Single lever shower mixer for concealed installation Number of outlets: 2, Water connection: Basic Set, Ceramic cartridge, Consumer selection: Showerhead, Hand shower, Outlet/Diverter: Diverter valve, Number of outlets: 2, recommended operating pressure: 1 - 5 bar, Escutcheon shape: Round, Including functional unit, Including trim parts	170 x 92 mm	2.2 kg	WA4210012
Thermostatic shower mixer for exposed installation 1000 Connection type: 1/2", Thermostat cartridge, recommended operating pressure: 1 - 5 bar, Safety lock at 38 °C, Non-return valve in the hose connection	303 x 113 mm	2.25 kg	TH4220000

**Faucet Accessories Hand shower 3jet # UV06500150.. / UV06500150.. / UV0650015A.. / UV0650015A..**

| < 56 mm > |

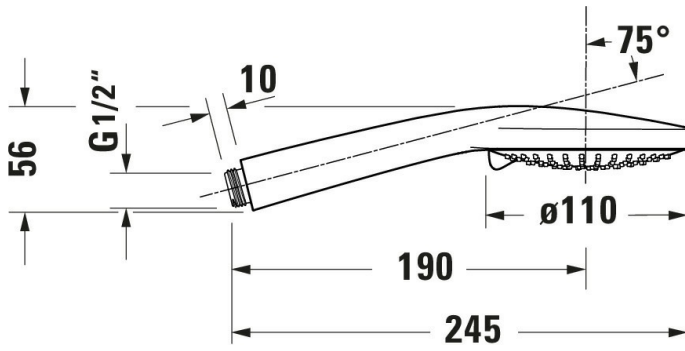
Hand shower 3jet Click! MinusFlow MinusFlow, Spray mode: Rain, Pulse, Mono, Spray mode selection: Push button, Flow rate (3 bar): 9 l/min, Silicone nubs	240 x 120 mm	0.24 kg	UV0652017
Hand shower 3jet Click! Spray mode: Rain, Pulse, Mono, Spray mode selection: Push button, Silicone nubs	240 x 120 mm	0.24 kg	UV0650017
Hand shower 3jet MinusFlow MinusFlow, Spray mode: SoftRain, Rain, IntenseRain, Spray mode selection: Rotating blasting disc, Flow rate (3 bar): 9 l/min, Silicone nubs	245 x 110 mm	0.2 kg	UV0652016
Hand shower 3jet Spray mode: SoftRain, Rain, IntenseRain, Spray mode selection: Rotating blasting disc, Silicone nubs	245 x 110 mm	0.2 kg	UV0650016
Hand shower 3jet MinusFlow MinusFlow, Spray mode: SoftRain, Rain, IntenseRain, Spray mode selection: Rotating blasting disc, Flow rate (3 bar): 9 l/min, Silicone nubs	245 x 110 mm	0.2 kg	UV0652015
Hand shower 3jet Chrome/White High Gloss, Spray mode: SoftRain, Rain, IntenseRain, Spray mode selection: Rotating blasting disc, Silicone nubs	245 x 110 mm	0.2 kg	UV0650015
Hand shower 1jet MinusFlow MinusFlow, Spray mode: Rain, Flow rate (3 bar): 9 l/min, Silicone nubs	245 x 110 mm	0.16 kg	UV0652014
Hand shower 1jet Spray mode: Rain, Silicone nubs	245 x 110 mm	0.16 kg	UV0650014
Hand shower 1jet MinusFlow MinusFlow, Spray mode: Rain, Flow rate (3 bar): 9 l/min, Silicone nubs	245 x 110 mm	0.16 kg	UV0652013
Hand shower 1jet Spray mode: Rain, Silicone nubs	245 x 110 mm	0.16 kg	UV0650013

*All drawings contain the necessary measurements which are subject to standard tolerances. They are stated in mm and are non-binding. Exact measurements, in particular for customised installation scenarios, can only be taken from the finished piece.*



Faucet Accessories Hand shower 3jet # UV06500150.. /  
UV06500150.. / UV0650015A.. / UV0650015A..

|< 56 mm >|



Faucet Accessories Shower hose # UV06100060.. /  
UV06100060..

|< 23 mm >|



Shower hose	Dimension	Weight	Order number
Rotation lock: Yes, Nut shape: Conical, 1250 mm			
<b>Colors</b>			
10 Chrome High Gloss 46 Black Matt			
<b>Variant</b>			
Chrome	1250x23 mm	0.280 kg	UV06100060..
Black Matt	1250x23 mm	0.280 kg	UV06100060..
<b>Suitable accessories</b>			
Single lever shower mixer for exposed installation Ceramic cartridge, recommended operating pressure: 1 - 5 bar, Flow rate (3 bar): 12,6 l/min, Noise class: II	272 x 103 mm	1.69 kg	C14230000
Single lever bathtub mixer for exposed installation Ceramic cartridge, recommended operating pressure: 1 - 5 bar, Spray mode: Normal spray, Diverter valve, Non-return valve in the hose connection, Diverter valve, Noise class: II	314 x 190 mm	2.3 kg	C15230000
Single lever bathtub mixer for concealed installation Number of outlets: 2, Water connection: Basic Set, Ceramic cartridge, Consumer selection: Tub filler, Hand shower, Outlet/Diverter: Diverter valve, Number of outlets: 2, recommended operating pressure: 1 - 5 bar, Flow rate (3 bar): 22,5 l/min, Escutcheon shape: Round, Diameter escutcheon: 170 mm, Including functional unit, Including trim parts	170 x 77 mm	1.9 kg	C15210012
Single lever shower mixer for concealed installation Number of outlets: 1, Ceramic cartridge, Number of outlets: 1, recommended operating pressure: 1 - 5 bar, Escutcheon shape: Square, Including functional unit, Including trim parts	150 x 77 mm	1.63 kg	C14210009

**Faucet Accessories Shower hose # UV06100060.. / UV06100060..**

|&lt; 23 mm &gt;|

Single lever shower mixer for concealed installation Number of outlets: 1, Water connection: Basic Set, Ceramic cartridge, Number of outlets: 1, recommended operating pressure: 1 - 5 bar, Escutcheon shape: Round, Diameter escutcheon: 170 mm, Including functional unit, Including trim parts	170 x 77 mm	1.66 kg	C14210010
Single lever shower mixer for concealed installation Number of outlets: 2, Water connection: Basic Set, Ceramic cartridge, Consumer selection: Hand shower, Showerhead, Outlet/Diverter: Diverter valve, Number of outlets: 2, recommended operating pressure: 1 - 5 bar, Escutcheon shape: Square, Including functional unit, Including trim parts	150 x 77 mm	1.88 kg	C14210011
Single lever shower mixer for concealed installation Number of outlets: 2, Water connection: Basic Set, Ceramic cartridge, Consumer selection: Hand shower, Showerhead, Outlet/Diverter: Diverter valve, Number of outlets: 2, recommended operating pressure: 1 - 5 bar, Escutcheon shape: Round, Diameter escutcheon: 170 mm, Including functional unit, Including trim parts	170 x 77 mm	1.9 kg	C14210012
Single lever bathtub mixer for concealed installation Number of outlets: 2, Ceramic cartridge, Consumer selection: Tub filler, Hand shower, Outlet/Diverter: Diverter valve, Number of outlets: 2, recommended operating pressure: 1 - 5 bar, Flow rate (3 bar): 22,5 l/min, Escutcheon shape: Square, Including functional unit, Including trim parts	150 x 77 mm	2.03 kg	C15210011
Single lever shower mixer for exposed installation Ceramic cartridge, recommended operating pressure: 1 - 5 bar, Non-return valve in the hose connection	280 x 113 mm	3.4 kg	TU4230000
Single lever shower mixer for concealed installation Number of outlets: 1, Ceramic cartridge, Number of outlets: 1, recommended operating pressure: 1 - 5 bar, Escutcheon shape: Round, Including functional unit, Including trim parts	170 x 86 mm	1.8 kg	TU4210010
Single lever shower mixer for concealed installation Number of outlets: 2, Water connection: Basic Set, Ceramic cartridge, Consumer selection: Showerhead, Hand shower, Outlet/Diverter: Diverter valve, Number of outlets: 2, recommended operating pressure: 1 - 5 bar, Escutcheon shape: Round, Including functional unit, Including trim parts	170 x 86 mm	2.2 kg	TU4210012
Single lever bathtub mixer for concealed installation Number of outlets: 2, Ceramic cartridge, Consumer selection: Hand shower, Tub filler, Outlet/Diverter: Diverter valve, Number of outlets: 2, recommended operating pressure: 1 - 5 bar, Flow rate (3 bar): 22,5 l/min, Escutcheon shape: Round, Including functional unit, Including trim parts	170 x 86 mm	2.2 kg	TU5210012
Single lever bathtub mixer for exposed installation Ceramic cartridge, recommended operating pressure: 1 - 5 bar, Spray mode: Normal spray, Diverter valve, Non-return valve in the hose connection, Diverter valve	313 x 191 mm	3.9 kg	TU5230000
Hand shower 1jet Spray mode: Rain, Silicone nubs	245 x 110 mm	0.16 kg	UV0650013
Hand shower 1jet MinusFlow MinusFlow, Spray mode: Rain, Flow rate (3 bar): 9 l/min, Silicone nubs	245 x 110 mm	0.16 kg	UV0652013
Hand shower 3jet Chrome/White High Gloss, Spray mode: SoftRain, Rain, IntenseRain, Spray mode selection: Rotating blasting disc, Silicone nubs	245 x 110 mm	0.2 kg	UV0650015

**Faucet Accessories Shower hose # UV06100060.. / UV06100060..**

|&lt; 23 mm &gt;|

Hand shower 3jet MinusFlow MinusFlow, Spray mode: SoftRain, Rain, IntenseRain, Spray mode selection: Rotating blasting disc, Flow rate (3 bar): 9 l/min, Silicone nubs	245 x 110 mm	0.2 kg	UV0652015
Hand shower 3jet Click! Spray mode: Rain, Pulse, Mono, Spray mode selection: Push button, Silicone nubs	240 x 120 mm	0.24 kg	UV0650017
Hand shower 3jet Click! MinusFlow MinusFlow, Spray mode: Rain, Pulse, Mono, Spray mode selection: Push button, Flow rate (3 bar): 9 l/min, Silicone nubs	240 x 120 mm	0.24 kg	UV0652017
Stick hand shower 1jet Silicone nubs	197 x 25 mm	0.15 kg	UV0640001
Stick hand shower 1jet MinusFlow MinusFlow, Rain, Flow rate (3 bar): 9 l/min, Silicone nubs	187 x 25 mm	0.14 kg	UV0642001
Stick hand shower 1jet Silicone nubs	212 x 22 mm	0.18 kg	UV0640002
Stick hand shower 1jet MinusFlow MinusFlow, Flow rate (3 bar): 9 l/min, Silicone nubs	212 x 22 mm	0.18 kg	UV0642002
Single lever shower mixer for exposed installation Water connection: S-connections, 1/2", Ceramic cartridge, recommended operating pressure: 1 - 5 bar, Non-return valve in the hose connection	216 x 165 mm	1.66 kg	WA4230000
Single lever bathtub mixer for exposed installation Water connection: S-connections, 1/2", Ceramic cartridge, recommended operating pressure: 1 - 5 bar, Spray mode: Normal spray, Diverter valve, Non-return valve in the hose connection, Diverter automatically reverts from hand shower to bath spout when turned off	216 x 198 mm	1.93 kg	WA5230000
Single lever shower mixer for exposed installation Water connection: 1/2", Ceramic cartridge, recommended operating pressure: 1 - 5 bar	255 x 105 mm	2.07 kg	MH4230000
Single lever bathtub mixer for exposed installation Anschlussart: 1/2", Ceramic cartridge, recommended operating pressure: 1 - 5 bar, Spray mode: Normal spray, Diverter valve	286 x 213 mm	2.57 kg	MH5230000
Single lever shower mixer for concealed installation Number of outlets: 1, Water connection: Basic Set, Ceramic cartridge, Number of outlets: 1, recommended operating pressure: 1 - 5 bar, Escutcheon shape: Square, Including functional unit, Including trim parts	150 x 82 mm	1.75 kg	MH4210010
Single lever shower mixer for concealed installation Number of outlets: 2, Water connection: Basic Set, Ceramic cartridge, Consumer selection: Hand shower, Showerhead, Outlet/Diverter: Diverter valve, Number of outlets: 2, recommended operating pressure: 1 - 5 bar, Escutcheon shape: Square, Including functional unit, Including trim parts	150 x 82 mm	2.15 kg	MH4210012
Single lever bathtub mixer for concealed installation Number of outlets: 2, Water connection: Basic Set, Ceramic cartridge, Consumer selection: Tub filler, Hand shower, Outlet/Diverter: Diverter valve, Number of outlets: 2, recommended operating pressure: 1 - 5 bar, Escutcheon shape: Square, Including functional unit, Including trim parts	150 x 82 mm	2.2 kg	MH5210012
Single lever bathtub mixer for concealed installation Number of outlets: 2, Water connection: Basic Set, Ceramic cartridge, Consumer selection: Hand shower, Tub filler, Outlet/Diverter: Diverter valve, Number of outlets: 2, recommended operating pressure: 1 - 5 bar, Escutcheon shape: Round, Including trim parts	170 x 92 mm	2.2 kg	WA5210012

**Faucet Accessories Shower hose # UV06100060.. / UV06100060..**

|&lt; 23 mm &gt;|

Single lever shower mixer for concealed installation Number of outlets: 1, Water connection: Basic Set, Ceramic cartridge, Number of outlets: 1, recommended operating pressure: 1 - 5 bar, Escutcheon shape: Round, Including functional unit, Including trim parts	170 x 92 mm	1.8 kg	WA4210010
Single lever shower mixer for concealed installation Number of outlets: 2, Water connection: Basic Set, Ceramic cartridge, Consumer selection: Showerhead, Hand shower, Outlet/Diverter: Diverter valve, Number of outlets: 2, recommended operating pressure: 1 - 5 bar, Escutcheon shape: Round, Including functional unit, Including trim parts	170 x 92 mm	2.2 kg	WA4210012
Thermostatic shower mixer for exposed installation 1000 Connection type: 1/2", Thermostat cartridge, recommended operating pressure: 1 - 5 bar, Safety lock at 38 °C, Non-return valve in the hose connection	303 x 113 mm	2.25 kg	TH4220000
<b>Suitable accessories for Chrome</b>			
Single lever shower mixer for exposed installation Chrome, Water connection: 1/2", Ceramic cartridge, recommended operating pressure: 1 - 5 bar, Non-return valve in the hose connection, Noise class: II	209 x 133 mm	1.4 kg	B14230000
Thermostatic shower mixer for exposed installation Chrome, Water connection: 1/2", Thermostat cartridge, recommended operating pressure: 1 - 5 bar, Safety lock at 38 °C, Diverter valve, Non-return valve in the hose connection, Noise class: II	260 x 118 mm	1.8 kg	B14220000
Single lever shower mixer for concealed installation Number of outlets: 1, Chrome, Ceramic cartridge, Number of outlets: 1, recommended operating pressure: 1 - 5 bar, Escutcheon shape: Round, Diameter escutcheon: 170 mm, Including functional unit, Including trim parts	170 x 86 mm	1.8 kg	B14210010
Single lever bathtub mixer for exposed installation Chrome, Ceramic cartridge, recommended operating pressure: 1 - 5 bar, Spray mode: Normal spray, Diverter valve, Non-return valve in the hose connection, Diverter automatically reverts from hand shower to bath spout when turned off, Noise class: II	209 x 171 mm	1.6 kg	B15230000
Single lever bathtub mixer for concealed installation Number of outlets: 2, Chrome, Ceramic cartridge, Consumer selection: Tub filler, Hand shower, Outlet/Diverter: Diverter valve, Number of outlets: 2, recommended operating pressure: 1 - 5 bar, Escutcheon shape: Round, Diameter escutcheon: 170 mm, Including functional unit, Including trim parts	170 x 86 mm	2.2 kg	B15210012
Single lever shower mixer for concealed installation Number of outlets: 1, Chrome, Ceramic cartridge, Number of outlets: 1, recommended operating pressure: 1 - 5 bar, Escutcheon shape: Round, Diameter escutcheon: 170 mm, Including functional unit, Including trim parts	170 x 87 mm	1.75 kg	B24210010
Single lever shower mixer for exposed installation Chrome, Ceramic cartridge, recommended operating pressure: 1 - 5 bar, Non-return valve in the hose connection, Noise class: II	179 x 137 mm	1.3 kg	B24230000
Thermostatic shower mixer for exposed installation Chrome, Thermostat cartridge, recommended operating pressure: 1 - 5 bar, Safety lock at 38 °C, Diverter valve, Non-return valve in the hose connection, Noise class: II	260 x 113.5 mm	1.8 kg	B24220000

**Faucet Accessories Shower hose # UV06100060.. / UV06100060..**

|&lt; 23 mm &gt;|

Single lever bathtub mixer for exposed installation Chrome, Ceramic cartridge, recommended operating pressure: 1 - 5 bar, Spray mode: Normal spray, Diverter valve, Non-return valve in the hose connection, Diverter automatically reverts from hand shower to bath spout when turned off, Noise class: II	182 x 170 mm	1.68 kg	B25230000
Single lever bathtub mixer for concealed installation Number of outlets: 2, Chrome, Ceramic cartridge, Consumer selection: Tub filler, Hand shower, Outlet/Diverter: Diverter valve, Number of outlets: 2, recommended operating pressure: 1 - 5 bar, Escutcheon shape: Round, Diameter escutcheon: 170 mm, Including functional unit, Including trim parts	170 x 87 mm	2.15 kg	B25210012
Single lever shower mixer for concealed installation Number of outlets: 2, Chrome, Water connection: Basic Set, Ceramic cartridge, Consumer selection: Hand shower, Showerhead, Outlet/Diverter: Diverter valve, Number of outlets: 2, recommended operating pressure: 1 - 5 bar, Escutcheon shape: Round, Diameter escutcheon: 170 mm, Including functional unit, Including trim parts	170 x 86 mm	2.2 kg	B14210012
Single lever bathtub mixer for concealed installation Number of outlets: 2, Chrome, Water connection: Basic Set, Ceramic cartridge, Consumer selection: Tub filler, Hand shower, Outlet/Diverter: Diverter valve, Security combination, Number of outlets: 2, recommended operating pressure: 1 - 5 bar, Escutcheon shape: Round, Diameter escutcheon: 170 mm, Including functional unit, Including trim parts	170 x 86 mm	2.15 kg	B15210018
Single lever shower mixer for concealed installation Number of outlets: 2, Chrome, Water connection: Basic Set, Ceramic cartridge, Consumer selection: Hand shower, Showerhead, Outlet/Diverter: Diverter valve, Number of outlets: 2, recommended operating pressure: 1 - 5 bar, Escutcheon shape: Round, Diameter escutcheon: 170 mm, Including functional unit, Including trim parts	170 x 87 mm	2.15 kg	B24210012
Single lever bathtub mixer for concealed installation Number of outlets: 2, Chrome, Water connection: Basic Set, Ceramic cartridge, Consumer selection: Tub filler, Hand shower, Outlet/Diverter: Diverter valve, Security combination, Number of outlets: 2, recommended operating pressure: 1 - 5 bar, Escutcheon shape: Round, Diameter escutcheon: 170 mm, Including functional unit, Including trim parts	170 x 87 mm	2.12 kg	B25210018
Single lever bathtub mixer for concealed installation Number of outlets: 2, Water connection: Basic Set, Ceramic cartridge, Consumer selection: Tub filler, Hand shower, Outlet/Diverter: Diverter valve, Security combination, Number of outlets: 2, recommended operating pressure: 1 - 5 bar, Flow rate (3 bar): 22,5 l/min, Escutcheon shape: Round, Diameter escutcheon: 170 mm, Including functional unit, Including trim parts	170 x 77 mm	2 kg	C15210018
Single lever bathtub mixer for concealed installation Number of outlets: 2, Water connection: Basic Set, Ceramic cartridge, Consumer selection: Tub filler, Hand shower, Outlet/Diverter: Diverter valve, Security combination, Number of outlets: 2, recommended operating pressure: 1 - 5 bar, Flow rate (3 bar): 22,5 l/min, Escutcheon shape: Square, Including functional unit, Including trim parts	150 x 77 mm	2 kg	C15210017
Single lever shower mixer for exposed installation Chrome, Water connection: 1/2", Ceramic cartridge, recommended operating pressure: 3 - 5 bar, Non-return valve in the hose connection, Flow rate (3 bar): 18,5 l/min	209 x 140 mm	1.17 kg	DE4230000

**Faucet Accessories Shower hose # UV06100060.. / UV06100060..**

|&lt; 23 mm &gt;|

Single lever bathtub mixer for exposed installation Chrome, Water connection: 1/2", Ceramic cartridge, recommended operating pressure: 1 - 5 bar, Spray mode: Normal spray, Diverter valve, Non-return valve in the hose connection, Diverter automatically reverts from hand shower to bath spout when turned off, Flow rate (3 bar): 20,9 l/min	208 x 136 mm	1.41 kg	DE5230000
Single lever shower mixer for concealed installation Number of outlets: 1, Chrome, Ceramic cartridge, Number of outlets: 1, recommended operating pressure: 1 - 5 bar, Escutcheon shape: Round, Diameter escutcheon: 170 mm, Including functional unit, Including trim parts	170 x 80 mm	1.8 kg	DE4210010
Single lever shower mixer for concealed installation Number of outlets: 2, Chrome, Water connection: Basic Set, Ceramic cartridge, Consumer selection: Hand shower, Showerhead, Outlet/Diverter: Diverter valve, Number of outlets: 2, recommended operating pressure: 1 - 5 bar, Escutcheon shape: Round, Diameter escutcheon: 170 mm, Including functional unit, Including trim parts	170 x 80 mm	2.1 kg	DE4210012
Single lever bathtub mixer for concealed installation Number of outlets: 2, Chrome, Ceramic cartridge, Consumer selection: Hand shower, Tub filler, Outlet/Diverter: Diverter valve, Number of outlets: 2, recommended operating pressure: 1 - 5 bar, Escutcheon shape: Round, Diameter escutcheon: 170 mm, Including functional unit, Including trim parts	170 x 80 mm	2.1 kg	DE5210012
Single lever bathtub mixer for concealed installation Number of outlets: 2, Chrome, Water connection: Basic Set, Ceramic cartridge, Consumer selection: Hand shower, Tub filler, Outlet/Diverter: Diverter valve, Security combination, Number of outlets: 2, recommended operating pressure: 1 - 5 bar, Escutcheon shape: Round, Diameter escutcheon: 170 mm, Including functional unit, Including trim parts	170 x 80 mm	2.2 kg	DE5210018
Single lever shower mixer for concealed installation Number of outlets: 1, Chrome, Water connection: Basic Set, Ceramic cartridge, Number of outlets: 1, recommended operating pressure: 1 - 5 bar, Escutcheon shape: Round, Diameter escutcheon: 170 mm, Including functional unit, Including trim parts	170 x 97 mm	1.8 kg	WT4210010
Single lever shower mixer for concealed installation Number of outlets: 2, Chrome, Water connection: Basic Set, Ceramic cartridge, Consumer selection: Hand shower, Showerhead, Outlet/Diverter: Diverter valve, Number of outlets: 2, recommended operating pressure: 1 - 5 bar, Escutcheon shape: Round, Diameter escutcheon: 170 mm, Including functional unit, Including trim parts	170 x 97 mm	2.2 kg	WT4210012
Single lever bathtub mixer for concealed installation Number of outlets: 2, Chrome, Water connection: Basic Set, Ceramic cartridge, Consumer selection: Tub filler, Hand shower, Outlet/Diverter: Diverter valve, Number of outlets: 2, recommended operating pressure: 1 - 5 bar, Flow rate (3 bar): 22,5 l/min, Escutcheon shape: Round, Diameter escutcheon: 170 mm, Including functional unit, Including trim parts	170 x 97 mm	2.2 kg	WT5210012
Single lever bathtub mixer for concealed installation Number of outlets: 2, Chrome, Water connection: Basic Set, Ceramic cartridge, Consumer selection: Tub filler, Hand shower, Outlet/Diverter: Diverter valve, Security combination, Number of outlets: 2, recommended operating pressure: 1 - 5 bar, Flow rate (3 bar): 22,5 l/min, Escutcheon shape: Round, Diameter escutcheon: 170 mm, Including functional unit, Including trim parts	170 x 97 mm	2.2 kg	WT5210018

**Faucet Accessories Shower hose # UV06100060.. / UV06100060..**

|&lt; 23 mm &gt;|

Single lever shower mixer for exposed installation Chrome, Water connection: S-connections, 1/2", Centre distance: 150 mm ± 10 mm, Ceramic cartridge, recommended operating pressure: 1 - 5 bar, Flow rate (3 bar): 12,5 l/min	215 x 128 mm	0.9 kg	N14230000
Single lever bathtub mixer for exposed installation Chrome, Water connection: S-connections, 1/2", Centre distance: 150 mm ± 10 mm, Ceramic cartridge, recommended operating pressure: 1 - 5 bar, Spray mode: Normal spray, Diverter valve, Diverter automatically reverts from hand shower to bath spout when turned off, Flow rate (3 bar): 20,2 l/min	216 x 178 mm	1.3 kg	N15230000
Single lever mixer concealed set Number of outlets: 1, Chrome, Water connection: Basic Set, Ceramic cartridge, Number of outlets: 1, recommended operating pressure: 1 - 5 bar, Escutcheon shape: Round, Including functional unit, Including trim parts	115 x 83 mm	0.7 kg	N14210007
Single lever mixer concealed set Number of outlets: 2, Chrome, Water connection: Basic Set, Ceramic cartridge, Outlet/Diverter: Diverter valve, Number of outlets: 2, recommended operating pressure: 1 - 5 bar, Escutcheon shape: Round, Including functional unit, Including trim parts	137 x 86 mm	1.4 kg	N15210008
Single lever bathtub mixer for concealed installation Number of outlets: 2, Water connection: Basic Set, Ceramic cartridge, Consumer selection: Hand shower, Tub filler, Outlet/Diverter: Diverter valve, Security combination, Number of outlets: 2, recommended operating pressure: 1 - 5 bar, Flow rate (3 bar): 22,5 l/min, Escutcheon shape: Round, Including functional unit, Including trim parts	170 x 86 mm	2.2 kg	TU5210018
Hand shower 1jet Spray mode: Rain, Silicone nubs	245 x 110 mm	0.16 kg	UV0650014
Hand shower 1jet MinusFlow MinusFlow, Spray mode: Rain, Flow rate (3 bar): 9 l/min, Silicone nubs	245 x 110 mm	0.16 kg	UV0652014
Hand shower 3jet Spray mode: SoftRain, Rain, IntenseRain, Spray mode selection: Rotating blasting disc, Silicone nubs	245 x 110 mm	0.2 kg	UV0650016
Hand shower 3jet MinusFlow MinusFlow, Spray mode: SoftRain, Rain, IntenseRain, Spray mode selection: Rotating blasting disc, Flow rate (3 bar): 9 l/min, Silicone nubs	245 x 110 mm	0.2 kg	UV0652016
Single lever mixer concealed set Number of outlets: 2, Water connection: Basic Set, Ceramic cartridge, Consumer selection: Tub filler, Hand shower, Outlet/Diverter: Diverter automatically reverts from hand shower to bath spout when turned off, Number of outlets: 2, recommended operating pressure: 1 - 5 bar, Escutcheon shape: Round, Including functional unit, Including trim parts	125 x 73 mm	1.58 kg	CE4210008
Single lever shower mixer for exposed installation Water connection: 1/2", Ceramic cartridge, recommended operating pressure: 1 - 5 bar, Non-return valve in the hose connection	255 x 106 mm	1.68 kg	CE4230000
Single lever mixer concealed set Number of outlets: 1, Water connection: Basic Set, Ceramic cartridge, Number of outlets: 1, recommended operating pressure: 1 - 5 bar, Escutcheon shape: Round, Including functional unit, Including trim parts	125 x 72 mm	1.1 kg	CE4210007
Single lever bathtub mixer for exposed installation Water connection: 1/2", Ceramic cartridge, recommended operating pressure: 1 - 5 bar, Spray mode: Normal spray, Diverter valve, Non-return valve in the hose connection, Diverter valve	290 x 201 mm	2.23 kg	CE5230000

**Faucet Accessories Shower hose # UV06100060.. / UV06100060..**

|&lt; 23 mm &gt;|

Single lever mixer concealed set Number of outlets: 1, Water connection: Basic Set, Ceramic cartridge, Number of outlets: 1, recommended operating pressure: 1 - 5 bar, Escutcheon shape: Round, Including functional unit, Including trim parts	125 x 88 mm	1.17 kg	WA4210007
Single lever mixer concealed set Number of outlets: 1, Water connection: Basic Set, Ceramic cartridge, Number of outlets: 1, recommended operating pressure: 1 - 5 bar, Escutcheon shape: Square, 130x130 mm, Including functional unit, Including trim parts	130 x 76 mm	1.08 kg	MH4210007
Single lever mixer concealed set Number of outlets: 2, Water connection: Basic Set, Ceramic cartridge, Outlet/Diverter: Diverter automatically reverts from hand shower to bath spout when turned off, Number of outlets: 2, recommended operating pressure: 1 - 5 bar, Escutcheon shape: Round, Including functional unit, Including trim parts	125 x 89 mm	1.63 kg	WA4210008
Single lever mixer concealed set Number of outlets: 2, Water connection: Basic Set, Ceramic cartridge, Outlet/Diverter: Diverter automatically reverts from hand shower to bath spout when turned off, Number of outlets: 2, recommended operating pressure: 1 - 5 bar, Escutcheon shape: Square, 125x171 mm, Including functional unit, Including trim parts	125 x 76 mm	1.61 kg	MH4210008
Single lever shower mixer for concealed installation Number of outlets: 2, Chrome, Water connection: Basic Set, Ceramic cartridge, Consumer selection: Hand shower, Showerhead, Outlet/Diverter: Diverter valve, Number of outlets: 2, recommended operating pressure: 1 - 5 bar, Escutcheon shape: Round, Diameter escutcheon: 170 mm, Including functional unit, Including trim parts	170 x 86 mm	1.75 kg	N14210012
Single lever shower mixer for concealed installation Number of outlets: 1, Chrome, Water connection: Basic Set, Ceramic cartridge, Number of outlets: 1, recommended operating pressure: 1 - 5 bar, Escutcheon shape: Round, Diameter escutcheon: 170 mm, Including functional unit, Including trim parts	170 x 86 mm	1.75 kg	N14210010
Single lever bathtub mixer for concealed installation Number of outlets: 2, Chrome, Water connection: Basic Set, Ceramic cartridge, Consumer selection: Tub filler, Hand shower, Outlet/Diverter: Diverter valve, Number of outlets: 2, recommended operating pressure: 1 - 5 bar, Escutcheon shape: Round, Diameter escutcheon: 170 mm, Including functional unit, Including trim parts	170 x 86 mm	1.75 kg	N15210012
Single lever shower mixer for concealed installation Number of outlets: 1, Water connection: Basic Set, Ceramic cartridge, Number of outlets: 1, recommended operating pressure: 1 - 5 bar, Flow rate (3 bar): 24,5 l/min, Escutcheon shape: Round	170 x 82 mm	1.66 kg	CE4210010
Single lever shower mixer for concealed installation Number of outlets: 2, Water connection: Basic Set, Ceramic cartridge, Consumer selection: Hand shower, Showerhead, Outlet/Diverter: Diverter valve, Number of outlets: 2, recommended operating pressure: 1 - 5 bar, Flow rate (3 bar): 22,5 l/min, Escutcheon shape: Round	170 x 82 mm	1.9 kg	CE4210012
Single lever bathtub mixer for concealed installation Number of outlets: 2, Water connection: Basic Set, Ceramic cartridge, Consumer selection: Hand shower, Tub filler, Outlet/Diverter: Diverter valve, Number of outlets: 2, recommended operating pressure: 1 - 5 bar, Flow rate (3 bar): 22,5 l/min, Escutcheon shape: Round, Including functional unit, Including trim parts	170 x 82 mm	1.9 kg	CE5210012

Faucet Accessories Shower hose # UV06100060.. /  
UV06100060..

|< 23 mm >|

Shower hose Rotation lock: Yes, Nut shape: Conical, 1800 mm	1800 x 23 mm	0.375 kg	UV0610008
Shower hose Rotation lock: Yes, Nut shape: Conical, 1600 mm	1600 x 23 mm	0.345 kg	UV0610007
Shower hose Rotation lock: Yes, Nut shape: Conical, 1250 mm	1250 x 23 mm	0.28 kg	UV0610006

*All drawings contain the necessary measurements which are subject to standard tolerances. They are stated in mm and are non-binding. Exact measurements, in particular for customised installation scenarios, can only be taken from the finished piece.*