

**TOOLBOX
USER MANUAL**

Toolbox

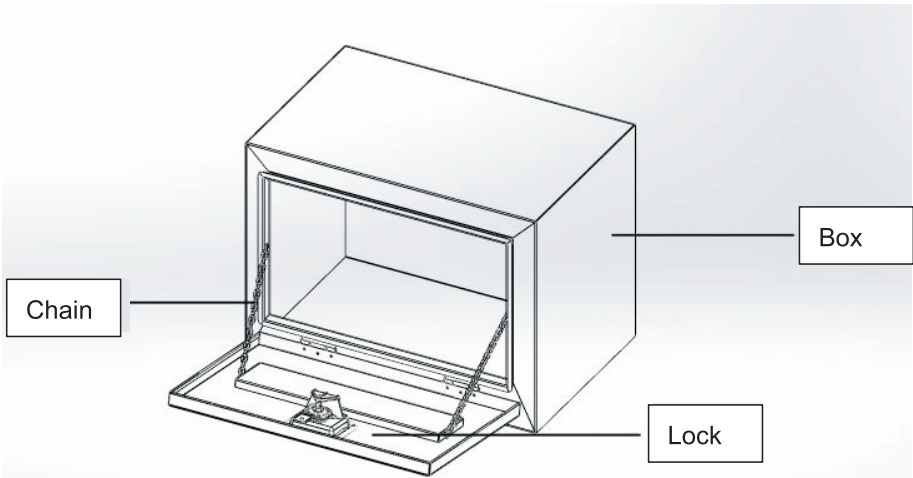
User Manual



Technical Parameter

Brand	Model	product size (inch)
	JL-TB17-1	24*17*18
	JL-TB17-2	30*17*18
	JL-TB17-3	36*17*18
	JL-TB17-4	48*17*18
	JL-TB17-5	60*17*18
	JL-TB17-6	24*14*16
	JL-TB17-7	30*14*16
	JL-TB17-8	36*14*16
	JL-TB17-9	36*24*24
	JL-TB17-10	48*24*24
	JL-TB17-11	60*24*24

Product Structure Diagram



Use safety instructions

WARNING:

Read this material before using this product. Failure to do so can result in serious injury. **SAVE THIS MANUAL**

Assembly precautions

1. Assemble only according to these instructions. Improper assembly can create hazards.
2. Wear ANSI-approved safety goggles and heavy-duty work gloves during assembly.
3. Keep assembly area clean and well lit.
4. Keep bystanders out of the area during assembly.
5. Do not assemble when tired or when under the influence of alcohol, drugs or medication.
6. Weight capacity and other product capabilities apply to properly and completely assembled product only.

7. Assemble on a flat, level, hard and smooth surface capable of safely supporting a fully loaded cooler cart.

Use precautions

TO PREVENT SERIOUS INJURY AND DEATH FROM TIPPING:

1. DO NOT SIT, STAND OR CLIMB ON THIS ITEM.
2. This product is not a toy nor a toy chest. Do not allow children to play with or near this item.
3. Do not exceed weight capacities, evenly distributed from bottom up. Be aware of dynamic loading! Sudden load movement may briefly create excess load causing product failure. Do not exceed capacity of bench or shelf supporting Top Chest.
4. Empty, close, and lock toolbox before moving.
5. Use only on a flat, level, hard and smooth surface capable of safely supporting a fully loaded Chest.
6. Do not lift while loaded.
7. To prevent tipping, push/pull using supplied handle only.
8. Use as intended only.
9. Inspect before every use; do not use if parts are loose or damaged.

Scope of Application

The main body is made of high-quality aluminum alloy. With a strong structure and beautiful appearance, the box is widely used to store warehouses and automotive tools.

Manufacturer: Shanghaimuxinmuyeyouxiangongsi

Address: Shuangchenglu

803nong11hao1602A-1609shi, baoshanqu, shanghai
200000 CN.

Imported to AUS: SIHAO PTY LTD. 1 ROKEVA

STREETEASTWOOD NSW 2122 Australia

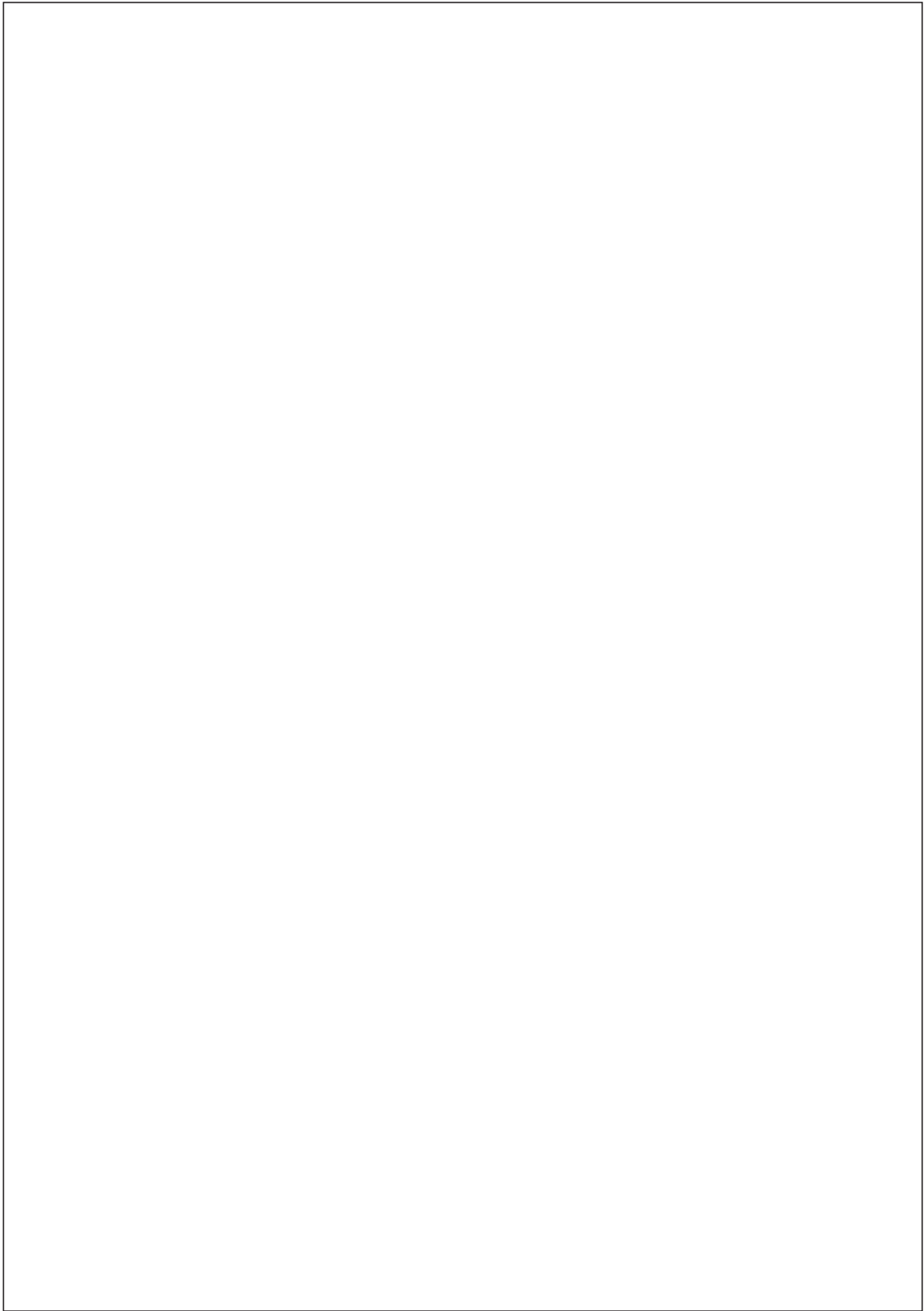
Imported to USA: Sanven Technology Ltd. Suite 250,
9166 Anaheim Place, Rancho Cucamonga, CA 91730

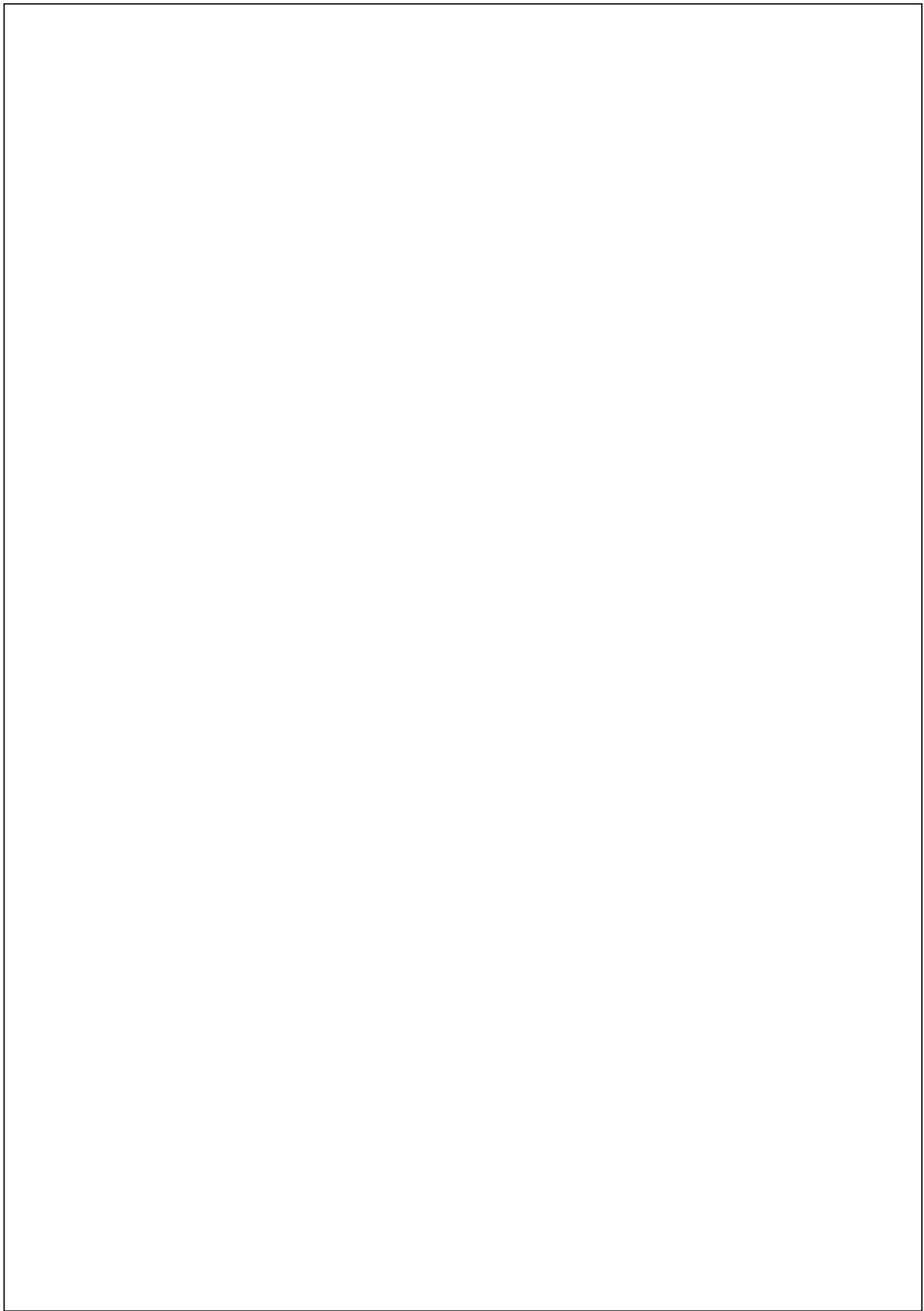


E-CrossStu GmbH
Mainzer Landstr.69, 60329 Frankfurt am Main.



YH CONSULTING LIMITED.
C/O YH Consulting Limited Office 147, Centurion House,
London Road, Staines-upon-Thames, Surrey, TW18 4AX





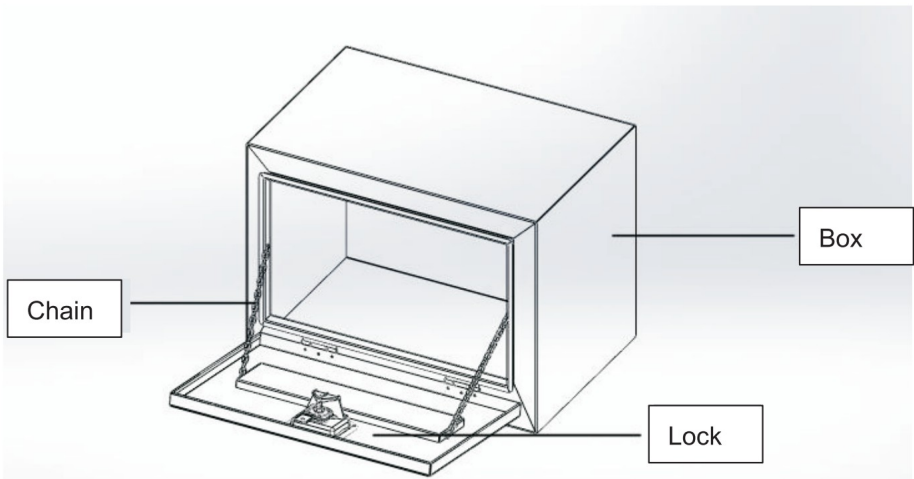
TOOLBOX USER MANUAL



Technical Parameter

Brand	Model	product size (inch)
	JL- TB17-1	24*17*18
	JL- TB17-2	30*17*18
	JL- TB17-3	36*17*18
	JL- TB17-4	48*17*18
	JL- TB17-5	60*17*18
	JL- TB17-6	24*14*16
	JL- TB17-7	30*14*16
	JL- TB17-8	36*14*16
	JL- TB17-9	36*24*24
	JL- TB17-10	48*24*24
	JL- TB17-11	60*24*24

Product Structure Diagram



Use safety instructions

WARNING:

Read this material before using this product. Failure to do so can result in serious injury. SAVE THIS MANUAL

Assembly precautions

1. Assemble only according to these instructions. Improper assembly can create hazards.
2. Wear ANSI-approved safety goggles and heavy-duty work gloves during assembly.
3. Keep assembly area clean and well lit.
4. Keep bystanders out of the area during assembly.
5. Do not assemble when tired or when under the influence of alcohol, drugs or medication.
6. Weight capacity and other product capabilities apply to properly and completely assembled product only.

7. Assemble on a flat, level, hard and smooth surface capable of safely supporting a fully loaded cooler cart.

Use precautions

TO PREVENT SERIOUS INJURY AND DEATH FROM TIPPING:

1. DO NOT SIT, STAND OR CLIMB ON THIS ITEM.
2. This product is not a toy nor a toy chest. Do not allow children to play with or near this item.
3. Do not exceed weight capacities, evenly distributed from bottom up. Be aware of dynamic loading! Sudden load movement may briefly create excess load causing product failure. Do not exceed capacity of bench or shelf supporting Top Chest.
4. Empty, close, and lock toolbox before moving.
5. Use only on a flat, level, hard and smooth surface capable of safely supporting a fully loaded Chest.
6. Do not lift while loaded.
7. To prevent tipping, push/pull using supplied handle only.
8. Use as intended only.
9. Inspect before every use; do not use if parts are loose or damaged.

Scope of Application

The main body is made of high-quality aluminum alloy. With a strong structure and beautiful appearance, the box is widely used to store warehouses and automotive tools.

Fabricant : Shanghaimuxinmuyeyouxiangongsi
Adresse : Shuangchenglu
803nong11hao1602A-1609shi, baoshanqu, shanghai 200000 CN.

Importé en Australie : SIHAO PTY LTD. 1 ROKEVA
STREETEASTWOOD NSW 2122 Australie

Importé aux États-Unis : Sanven Technology Ltd. Suite 250, 9166
Anaheim Place, Rancho Cucamonga, CA 91730



E-CrossStu GmbH
Mainzer Landstr.69, 60329 Francfort-sur-le-Main.



YH CONSULTING LIMITÉE.
A/S YH Consulting Limited Bureau 147, Centurion House, London
Road, Staines-upon-Thames, Surrey, TW18 4AX

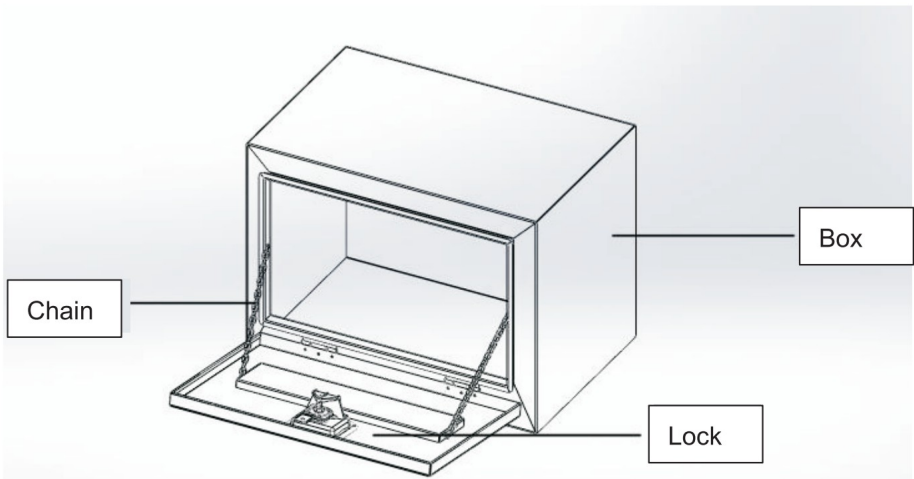
TOOLBOX USER MANUAL



Technical Parameter

Brand	Model	product size (inch)
	JL- TB17-1	24*17*18
	JL- TB17-2	30*17*18
	JL- TB17-3	36*17*18
	JL- TB17-4	48*17*18
	JL- TB17-5	60*17*18
	JL- TB17-6	24*14*16
	JL- TB17-7	30*14*16
	JL- TB17-8	36*14*16
	JL- TB17-9	36*24*24
	JL- TB17-10	48*24*24
	JL- TB17-11	60*24*24

Product Structure Diagram



Use safety instructions

WARNING:

Read this material before using this product. Failure to do so can result in serious injury. **SAVE THIS MANUAL**

Assembly precautions

1. Assemble only according to these instructions. Improper assembly can create hazards.
2. Wear ANSI-approved safety goggles and heavy-duty work gloves during assembly.
3. Keep assembly area clean and well lit.
4. Keep bystanders out of the area during assembly.
5. Do not assemble when tired or when under the influence of alcohol, drugs or medication.
6. Weight capacity and other product capabilities apply to properly and completely assembled product only.

7. Assemble on a flat, level, hard and smooth surface capable of safely supporting a fully loaded cooler cart.

Use precautions

TO PREVENT SERIOUS INJURY AND DEATH FROM TIPPING:

1. DO NOT SIT, STAND OR CLIMB ON THIS ITEM.
2. This product is not a toy nor a toy chest. Do not allow children to play with or near this item.
3. Do not exceed weight capacities, evenly distributed from bottom up. Be aware of dynamic loading! Sudden load movement may briefly create excess load causing product failure. Do not exceed capacity of bench or shelf supporting Top Chest.
4. Empty, close, and lock toolbox before moving.
5. Use only on a flat, level, hard and smooth surface capable of safely supporting a fully loaded Chest.
6. Do not lift while loaded.
7. To prevent tipping, push/pull using supplied handle only.
8. Use as intended only.
9. Inspect before every use; do not use if parts are loose or damaged.

Scope of Application

The main body is made of high-quality aluminum alloy. With a strong structure and beautiful appearance, the box is widely used to store warehouses and automotive tools.

Hersteller: Shanghaimuxinmuyeyouxiangongsi

Adresse: Shuangchenglu

803nong11hao1602A-1609shi, baoshanqu, Shanghai 200000 CN.

Nach AUS importiert: SIHAO PTY LTD. 1 ROKEVA

STREETEASTWOOD NSW 2122 Australien

Importiert in die USA: Sanven Technology Ltd. Suite 250, 9166

Anaheim Place, Rancho Cucamonga, CA 91730



E-CrossStu GmbH

Mainzer Landstr.69, 60329 Frankfurt am Main.



YH CONSULTING LIMITED.

C/O YH Consulting Limited Office 147, Centurion House,
London Road, Staines-upon-Thames, Surrey, TW18 4AX

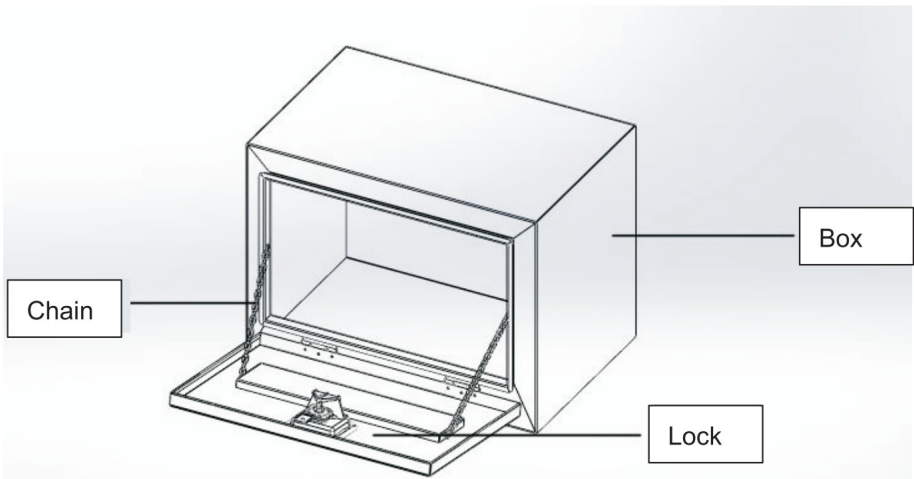
TOOLBOX USER MANUAL



Technical Parameter

Brand	Model	product size (inch)
	JL- TB17-1	24*17*18
	JL- TB17-2	30*17*18
	JL- TB17-3	36*17*18
	JL- TB17-4	48*17*18
	JL- TB17-5	60*17*18
	JL- TB17-6	24*14*16
	JL- TB17-7	30*14*16
	JL- TB17-8	36*14*16
	JL- TB17-9	36*24*24
	JL- TB17-10	48*24*24
	JL- TB17-11	60*24*24

Product Structure Diagram



Use safety instructions

WARNING:

Read this material before using this product. Failure to do so can result in serious injury. SAVE THIS MANUAL

Assembly precautions

1. Assemble only according to these instructions. Improper assembly can create hazards.
2. Wear ANSI-approved safety goggles and heavy-duty work gloves during assembly.
3. Keep assembly area clean and well lit.
4. Keep bystanders out of the area during assembly.
5. Do not assemble when tired or when under the influence of alcohol, drugs or medication.
6. Weight capacity and other product capabilities apply to properly and completely assembled product only.

7. Assemble on a flat, level, hard and smooth surface capable of safely supporting a fully loaded cooler cart.

Use precautions

TO PREVENT SERIOUS INJURY AND DEATH FROM TIPPING:

1. DO NOT SIT, STAND OR CLIMB ON THIS ITEM.
2. This product is not a toy nor a toy chest. Do not allow children to play with or near this item.
3. Do not exceed weight capacities, evenly distributed from bottom up. Be aware of dynamic loading! Sudden load movement may briefly create excess load causing product failure. Do not exceed capacity of bench or shelf supporting Top Chest.
4. Empty, close, and lock toolbox before moving.
5. Use only on a flat, level, hard and smooth surface capable of safely supporting a fully loaded Chest.
6. Do not lift while loaded.
7. To prevent tipping, push/pull using supplied handle only.
8. Use as intended only.
9. Inspect before every use; do not use if parts are loose or damaged.

Scope of Application

The main body is made of high-quality aluminum alloy. With a strong structure and beautiful appearance, the box is widely used to store warehouses and automotive tools.

Produttore: Shanghaimuxinmuyeyouxiangongsi
Indirizzo: Shuangchenglu
803nong11hao1602A-1609shi, baoshanqu, shanghai 200000 CN.

Importato in AUS: SIHAO PTY LTD. 1 ROKEVA
STREETEASTWOOD NSW 2122 Australia

Importato negli USA: Sanven Technology Ltd. Suite 250, 9166
Anaheim Place, Rancho Cucamonga, CA 91730



E-CrossStu GmbH
Mainzer Landstr.69, 60329 Francoforte sul Meno.



CONSULENZA YH LIMITATA.
C/O YH Consulting Limited Ufficio 147, Centurion House,
London Road, Staines-upon-Thames, Surrey, TW18 4AX

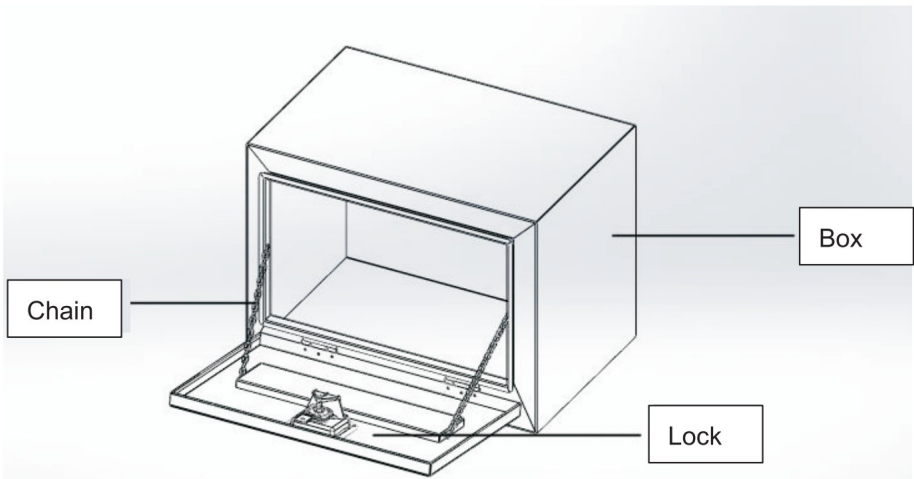
TOOLBOX USER MANUAL



Technical Parameter

Brand	Model	product size (inch)
	JL- TB17-1	24*17*18
	JL- TB17-2	30*17*18
	JL- TB17-3	36*17*18
	JL- TB17-4	48*17*18
	JL- TB17-5	60*17*18
	JL- TB17-6	24*14*16
	JL- TB17-7	30*14*16
	JL- TB17-8	36*14*16
	JL- TB17-9	36*24*24
	JL- TB17-10	48*24*24
	JL- TB17-11	60*24*24

Product Structure Diagram



Use safety instructions

WARNING:

Read this material before using this product. Failure to do so can result in serious injury. SAVE THIS MANUAL

Assembly precautions

1. Assemble only according to these instructions. Improper assembly can create hazards.
2. Wear ANSI-approved safety goggles and heavy-duty work gloves during assembly.
3. Keep assembly area clean and well lit.
4. Keep bystanders out of the area during assembly.
5. Do not assemble when tired or when under the influence of alcohol, drugs or medication.
6. Weight capacity and other product capabilities apply to properly and completely assembled product only.

7. Assemble on a flat, level, hard and smooth surface capable of safely supporting a fully loaded cooler cart.

Use precautions

TO PREVENT SERIOUS INJURY AND DEATH FROM TIPPING:

1. DO NOT SIT, STAND OR CLIMB ON THIS ITEM.
2. This product is not a toy nor a toy chest. Do not allow children to play with or near this item.
3. Do not exceed weight capacities, evenly distributed from bottom up. Be aware of dynamic loading! Sudden load movement may briefly create excess load causing product failure. Do not exceed capacity of bench or shelf supporting Top Chest.
4. Empty, close, and lock toolbox before moving.
5. Use only on a flat, level, hard and smooth surface capable of safely supporting a fully loaded Chest.
6. Do not lift while loaded.
7. To prevent tipping, push/pull using supplied handle only.
8. Use as intended only.
9. Inspect before every use; do not use if parts are loose or damaged.

Scope of Application

The main body is made of high-quality aluminum alloy. With a strong structure and beautiful appearance, the box is widely used to store warehouses and automotive tools.

Fabricante: Shanghaimuxinmuyeyouxiangongsi
Dirección: Shuangchenglu
803nong11hao1602A-1609shi, baoshanqu, shanghai 200000 CN.

Importado a AUS: SIHAO PTY LTD. 1 ROKEVA
STREETEASTWOOD NSW 2122 Australia

Importado a EE. UU.: Sanven Technology Ltd. Suite 250, 9166
Anaheim Place, Rancho Cucamonga, CA 91730



E-CrossStu GmbH
Mainzer Landstr.69, 60329 Fráncfort del Meno.



YH CONSULTING LIMITADA.
C/O YH Consulting Limited Oficina 147, Centurion House,
London Road, Staines-upon-Thames, Surrey, TW18 4AX

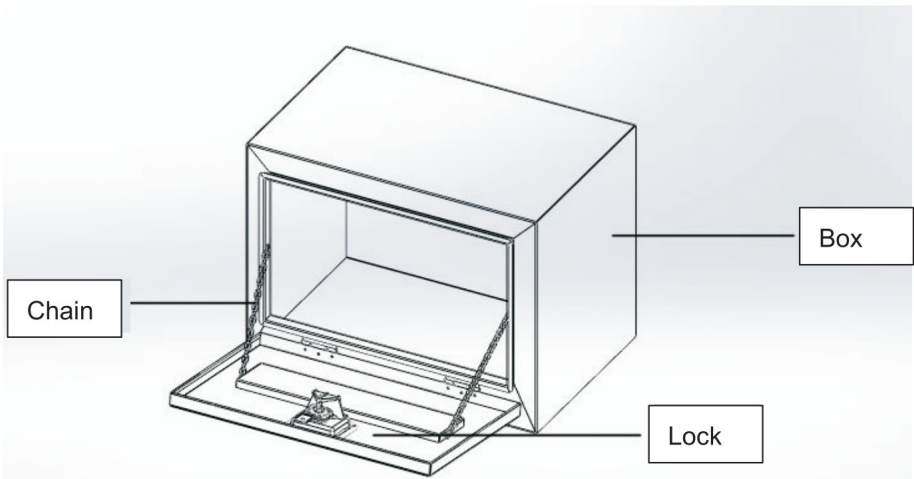
TOOLBOX USER MANUAL



Technical Parameter

Brand	Model	product size (inch)
	JL- TB17-1	24*17*18
	JL- TB17-2	30*17*18
	JL- TB17-3	36*17*18
	JL- TB17-4	48*17*18
	JL- TB17-5	60*17*18
	JL- TB17-6	24*14*16
	JL- TB17-7	30*14*16
	JL- TB17-8	36*14*16
	JL- TB17-9	36*24*24
	JL- TB17-10	48*24*24
	JL- TB17-11	60*24*24

Product Structure Diagram



Use safety instructions

WARNING:

Read this material before using this product. Failure to do so can result in serious injury. SAVE THIS MANUAL

Assembly precautions

1. Assemble only according to these instructions. Improper assembly can create hazards.
2. Wear ANSI-approved safety goggles and heavy-duty work gloves during assembly.
3. Keep assembly area clean and well lit.
4. Keep bystanders out of the area during assembly.
5. Do not assemble when tired or when under the influence of alcohol, drugs or medication.
6. Weight capacity and other product capabilities apply to properly and completely assembled product only.

7. Assemble on a flat, level, hard and smooth surface capable of safely supporting a fully loaded cooler cart.

Use precautions

TO PREVENT SERIOUS INJURY AND DEATH FROM TIPPING:

1. DO NOT SIT, STAND OR CLIMB ON THIS ITEM.
2. This product is not a toy nor a toy chest. Do not allow children to play with or near this item.
3. Do not exceed weight capacities, evenly distributed from bottom up. Be aware of dynamic loading! Sudden load movement may briefly create excess load causing product failure. Do not exceed capacity of bench or shelf supporting Top Chest.
4. Empty, close, and lock toolbox before moving.
5. Use only on a flat, level, hard and smooth surface capable of safely supporting a fully loaded Chest.
6. Do not lift while loaded.
7. To prevent tipping, push/pull using supplied handle only.
8. Use as intended only.
9. Inspect before every use; do not use if parts are loose or damaged.

Scope of Application

The main body is made of high-quality aluminum alloy. With a strong structure and beautiful appearance, the box is widely used to store warehouses and automotive tools.

Producent: Shanghaimuxinmuyeyouxiangongsi
Adres: Shuangchenglu
803nong11hao1602A-1609shi, baoshanqu, szanghaj 200000 CN.

Importowane do AUS: SIHAO PTY LTD. 1 ROKEVA
STREETEASTWOOD NSW 2122 Australia

Importowane do USA: Sanven Technology Ltd. Suite 250, 9166
Anaheim Place, Rancho Cucamonga, CA 91730



E-CrossStu GmbH
Mainzer Landstr.69, 60329 Frankfurt nad Menem.



YH CONSULTING LIMITED.
C/O YH Consulting Limited Biuro 147, Centurion House,
London Road, Staines-upon-Thames, Surrey, TW18 4AX

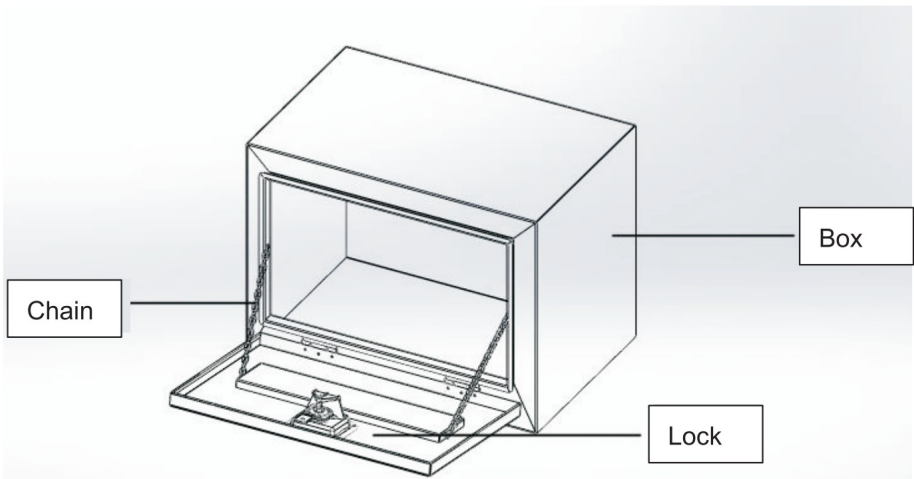
TOOLBOX USER MANUAL



Technical Parameter

Brand	Model	product size (inch)
	JL- TB17-1	24*17*18
	JL- TB17-2	30*17*18
	JL- TB17-3	36*17*18
	JL- TB17-4	48*17*18
	JL- TB17-5	60*17*18
	JL- TB17-6	24*14*16
	JL- TB17-7	30*14*16
	JL- TB17-8	36*14*16
	JL- TB17-9	36*24*24
	JL- TB17-10	48*24*24
	JL- TB17-11	60*24*24

Product Structure Diagram



Use safety instructions

WARNING:

Read this material before using this product. Failure to do so can result in serious injury. **SAVE THIS MANUAL**

Assembly precautions

1. Assemble only according to these instructions. Improper assembly can create hazards.
2. Wear ANSI-approved safety goggles and heavy-duty work gloves during assembly.
3. Keep assembly area clean and well lit.
4. Keep bystanders out of the area during assembly.
5. Do not assemble when tired or when under the influence of alcohol, drugs or medication.
6. Weight capacity and other product capabilities apply to properly and completely assembled product only.

7. Assemble on a flat, level, hard and smooth surface capable of safely supporting a fully loaded cooler cart.

Use precautions

TO PREVENT SERIOUS INJURY AND DEATH FROM TIPPING:

1. DO NOT SIT, STAND OR CLIMB ON THIS ITEM.
2. This product is not a toy nor a toy chest. Do not allow children to play with or near this item.
3. Do not exceed weight capacities, evenly distributed from bottom up. Be aware of dynamic loading! Sudden load movement may briefly create excess load causing product failure. Do not exceed capacity of bench or shelf supporting Top Chest.
4. Empty, close, and lock toolbox before moving.
5. Use only on a flat, level, hard and smooth surface capable of safely supporting a fully loaded Chest.
6. Do not lift while loaded.
7. To prevent tipping, push/pull using supplied handle only.
8. Use as intended only.
9. Inspect before every use; do not use if parts are loose or damaged.

Scope of Application

The main body is made of high-quality aluminum alloy. With a strong structure and beautiful appearance, the box is widely used to store warehouses and automotive tools.

Fabrikant: Shanghaimuxinmuyeyouxiangongsi

Adres: Shuangchenglu

803nong11hao1602A-1609shi, baoshanqu, shanghai 200000 CN.

Geïmporteerd naar AUS: SIHAO PTY LTD. 1 ROKEVA

STREETEASTWOOD NSW 2122 Australië

Geïmporteerd naar de VS: Sanven Technology Ltd. Suite 250, 9166

Anaheim Place, Rancho Cucamonga, CA 91730



E-CrossStu GmbH

Mainzer Landstr.69, 60329 Frankfurt am Main.



YH CONSULTING LIMITED.

C/O YH Consulting Limited Kantoor 147, Centurion House,
London Road, Staines-upon-Thames, Surrey, TW18 4AX

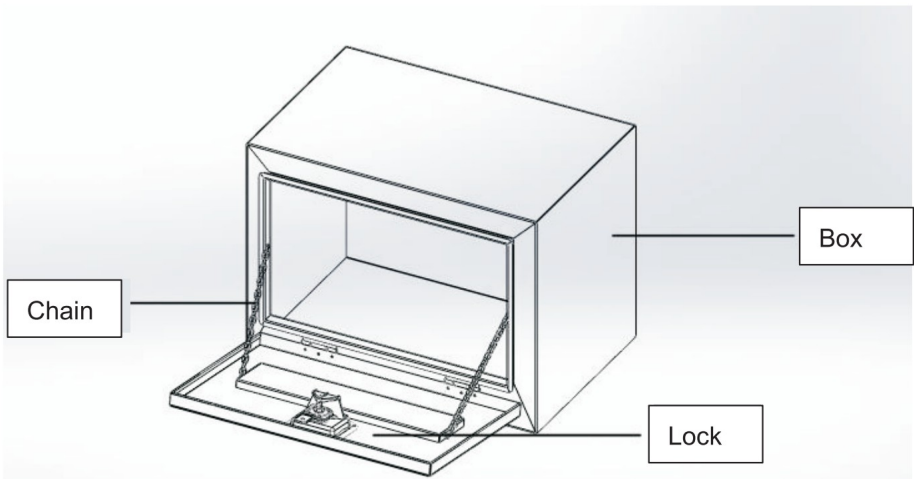
TOOLBOX USER MANUAL



Technical Parameter

Brand	Model	product size (inch)
	JL- TB17-1	24*17*18
	JL- TB17-2	30*17*18
	JL- TB17-3	36*17*18
	JL- TB17-4	48*17*18
	JL- TB17-5	60*17*18
	JL- TB17-6	24*14*16
	JL- TB17-7	30*14*16
	JL- TB17-8	36*14*16
	JL- TB17-9	36*24*24
	JL- TB17-10	48*24*24
	JL- TB17-11	60*24*24

Product Structure Diagram



Use safety instructions

WARNING:

Read this material before using this product. Failure to do so can result in serious injury. **SAVE THIS MANUAL**

Assembly precautions

1. Assemble only according to these instructions. Improper assembly can create hazards.
2. Wear ANSI-approved safety goggles and heavy-duty work gloves during assembly.
3. Keep assembly area clean and well lit.
4. Keep bystanders out of the area during assembly.
5. Do not assemble when tired or when under the influence of alcohol, drugs or medication.
6. Weight capacity and other product capabilities apply to properly and completely assembled product only.

7. Assemble on a flat, level, hard and smooth surface capable of safely supporting a fully loaded cooler cart.

Use precautions

TO PREVENT SERIOUS INJURY AND DEATH FROM TIPPING:

1. DO NOT SIT, STAND OR CLIMB ON THIS ITEM.
2. This product is not a toy nor a toy chest. Do not allow children to play with or near this item.
3. Do not exceed weight capacities, evenly distributed from bottom up. Be aware of dynamic loading! Sudden load movement may briefly create excess load causing product failure. Do not exceed capacity of bench or shelf supporting Top Chest.
4. Empty, close, and lock toolbox before moving.
5. Use only on a flat, level, hard and smooth surface capable of safely supporting a fully loaded Chest.
6. Do not lift while loaded.
7. To prevent tipping, push/pull using supplied handle only.
8. Use as intended only.
9. Inspect before every use; do not use if parts are loose or damaged.

Scope of Application

The main body is made of high-quality aluminum alloy. With a strong structure and beautiful appearance, the box is widely used to store warehouses and automotive tools.

Tillverkare: Shanghaimuxinmuyeyouxiangongsi
Adress: Shuangchenglu
803nong11hao1602A-1609shi, baoshanqu, shanghai 200000 CN.

Importerad till AUS: SIHAO PTY LTD. 1 ROKEVA
STREETEASTWOOD NSW 2122 Australien

Importerad till USA: Sanven Technology Ltd. Suite 250, 9166
Anaheim Place, Rancho Cucamonga, CA 91730



E-CrossStu GmbH
Mainzer Landstr.69, 60329 Frankfurt am Main.



YH CONSULTING LIMITED.
C/O YH Consulting Limited Office 147, Centurion House,
London Road, Staines-upon-Thames, Surrey, TW18 4AX

