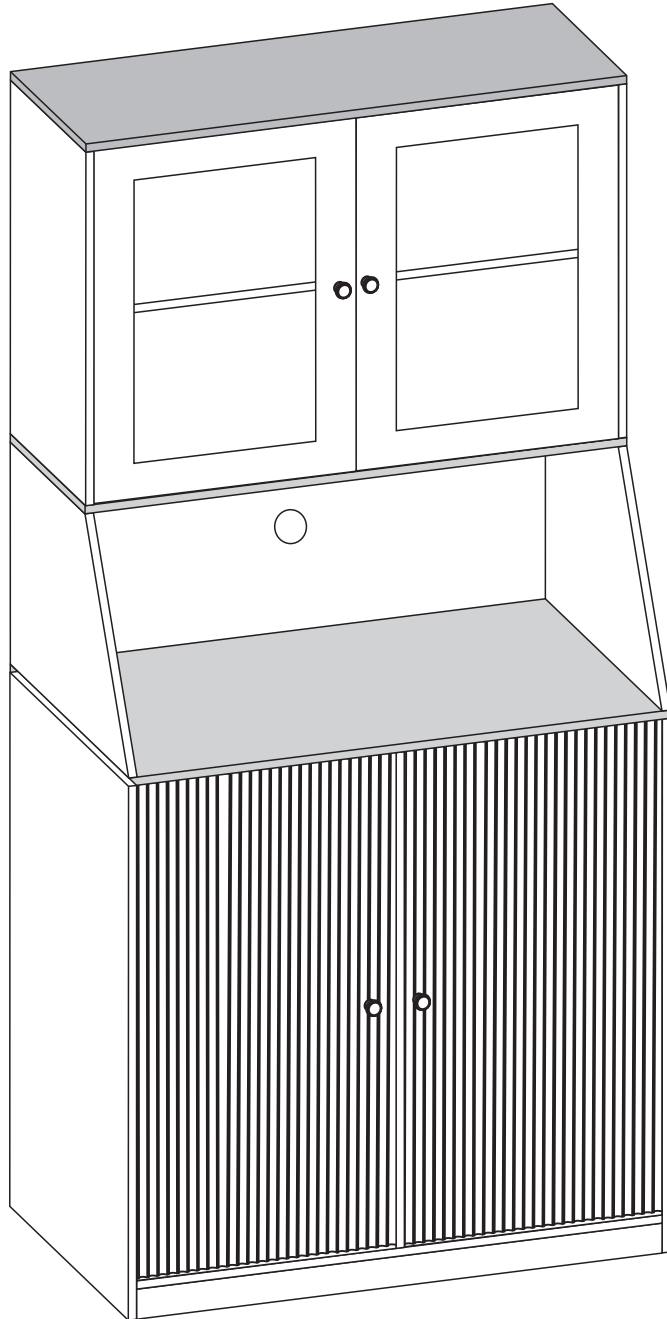
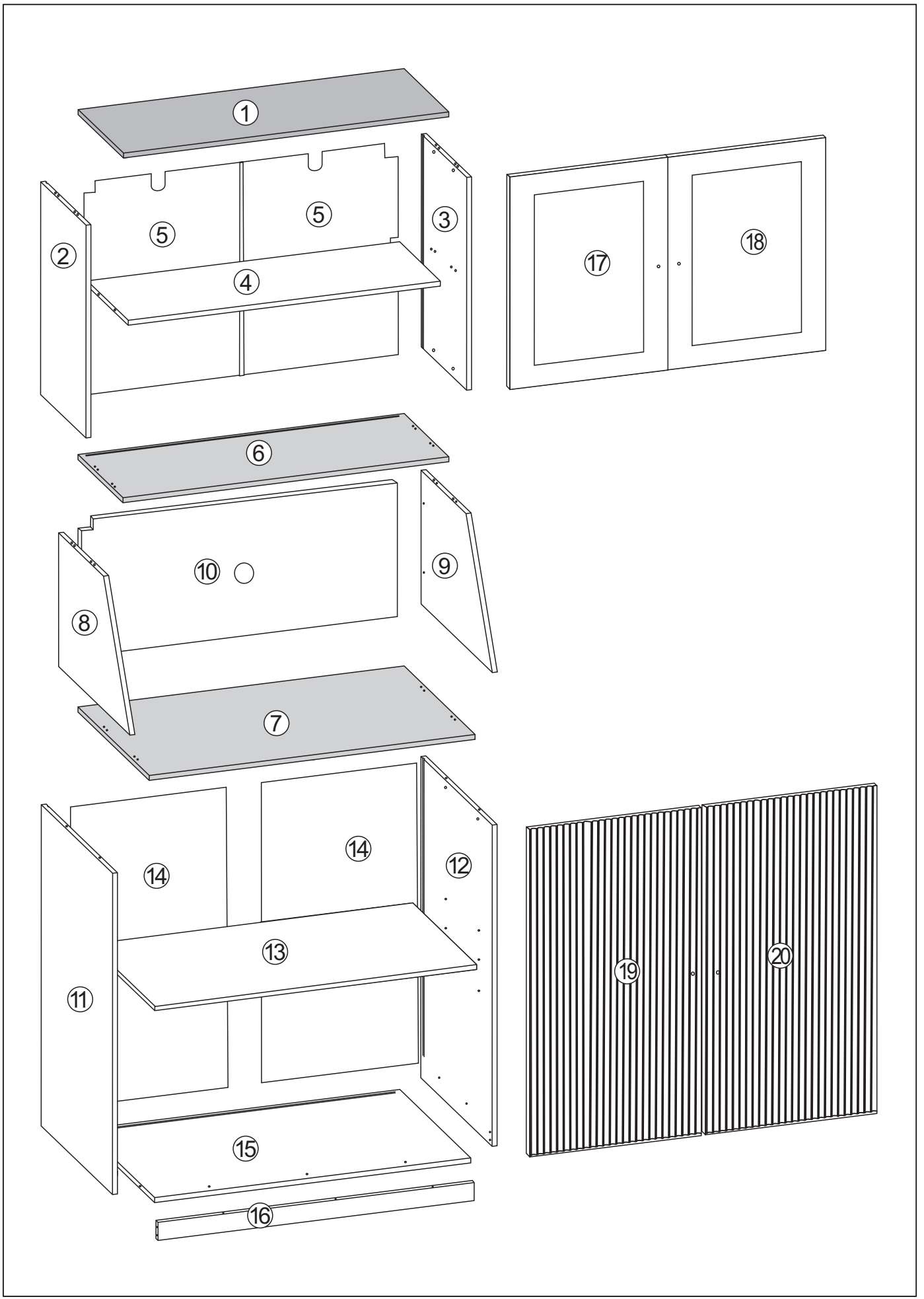


250426HXF0501/250426HXF0502





A x 33



B x 33



C x 78



M3\*14

D x 8



E x 4



F x 4



G x 24



H x 2



I x 2



J x 2



4x35mm

K x 4



L x 1



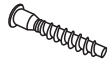
M x 20



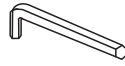
N x 1



O x 8



P x 1



Q x 1



R x 2



S x 4

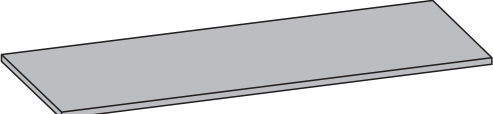
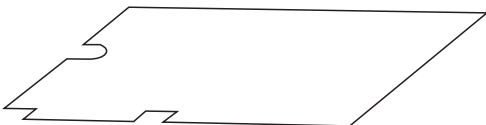
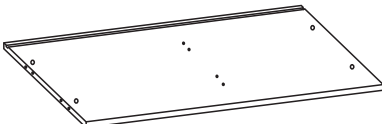
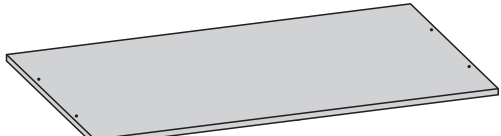
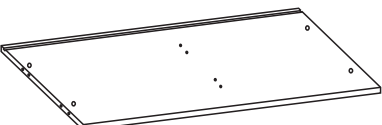
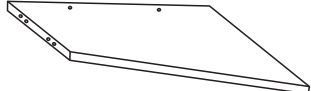
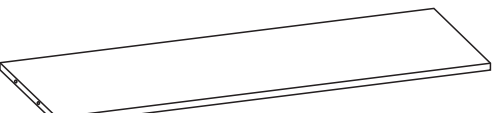
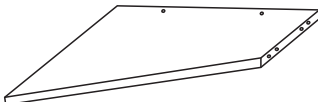
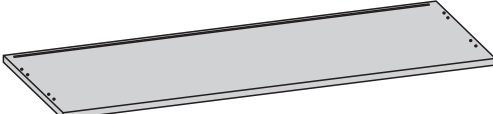
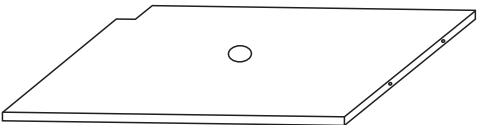
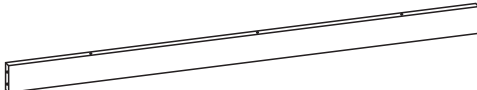
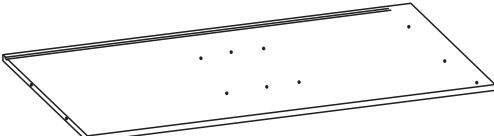
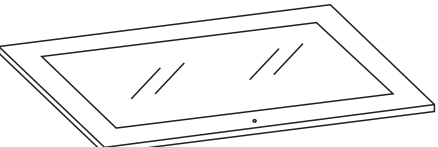
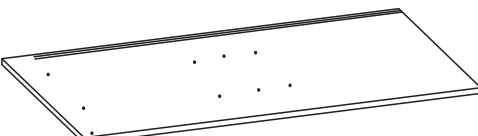
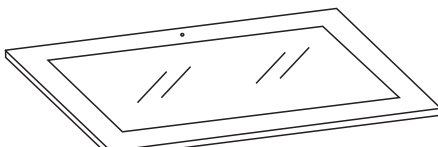
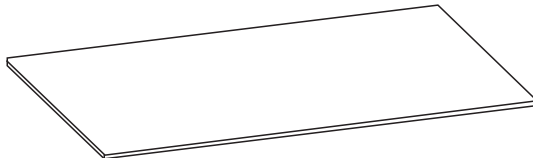
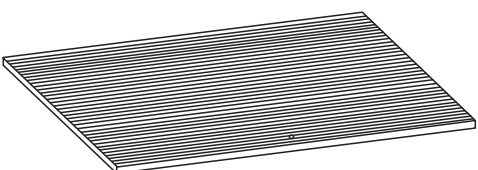

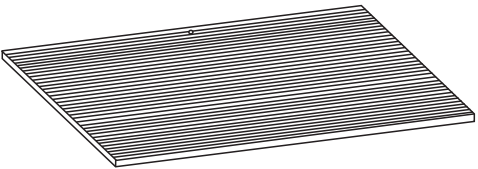
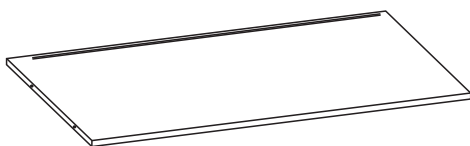


U x 1

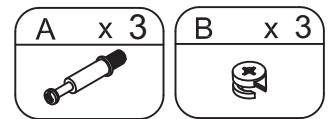
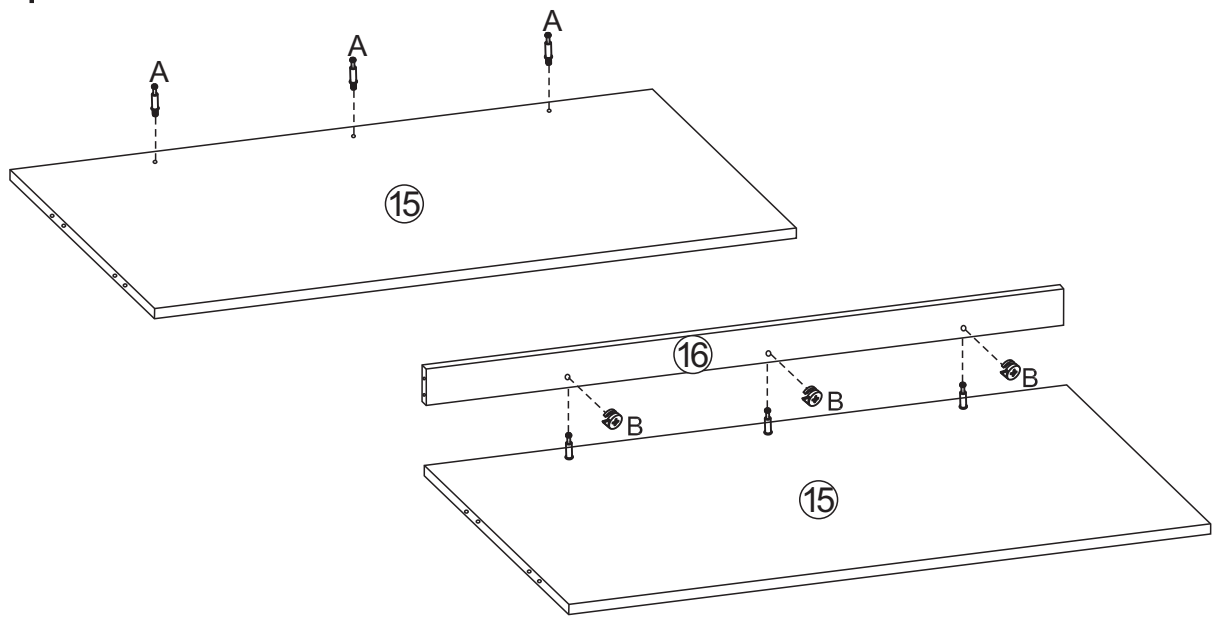


# BOX-1/2

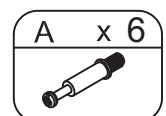
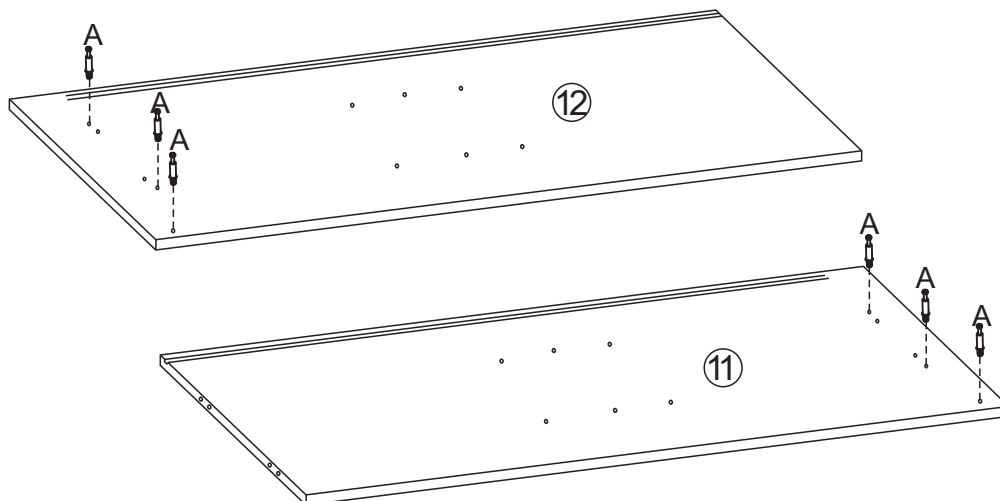
# BOX-2/2

①		x1	⑤		x2
②		x1	⑦		x1
③		x1	⑧		x1
④		x1	⑨		x1
⑥		x1	⑩		x1
⑯		x1	⑪		x1
⑰		x1	⑫		x1
⑱		x1	⑬		x1
⑲		x1	⑭		x2
⑳		x1	⑮		x1

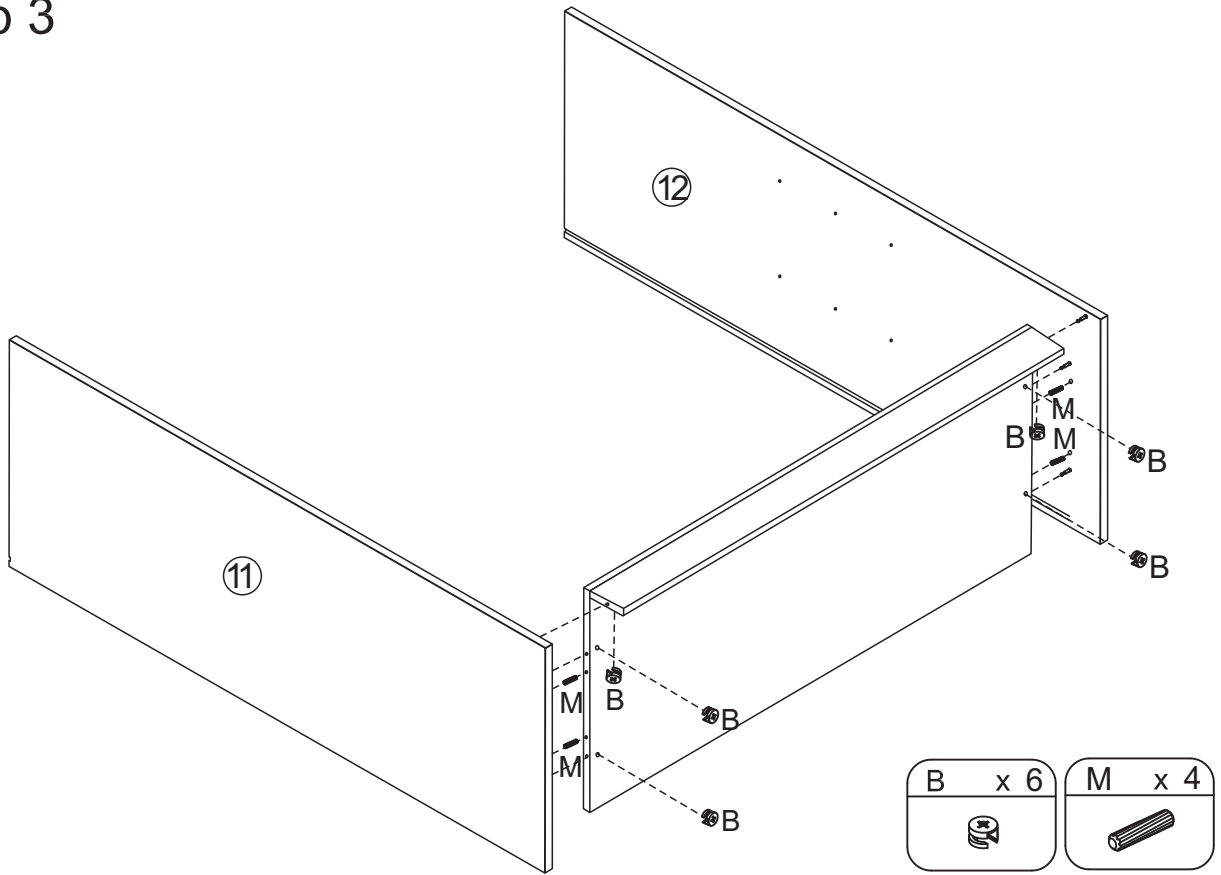
## Step 1



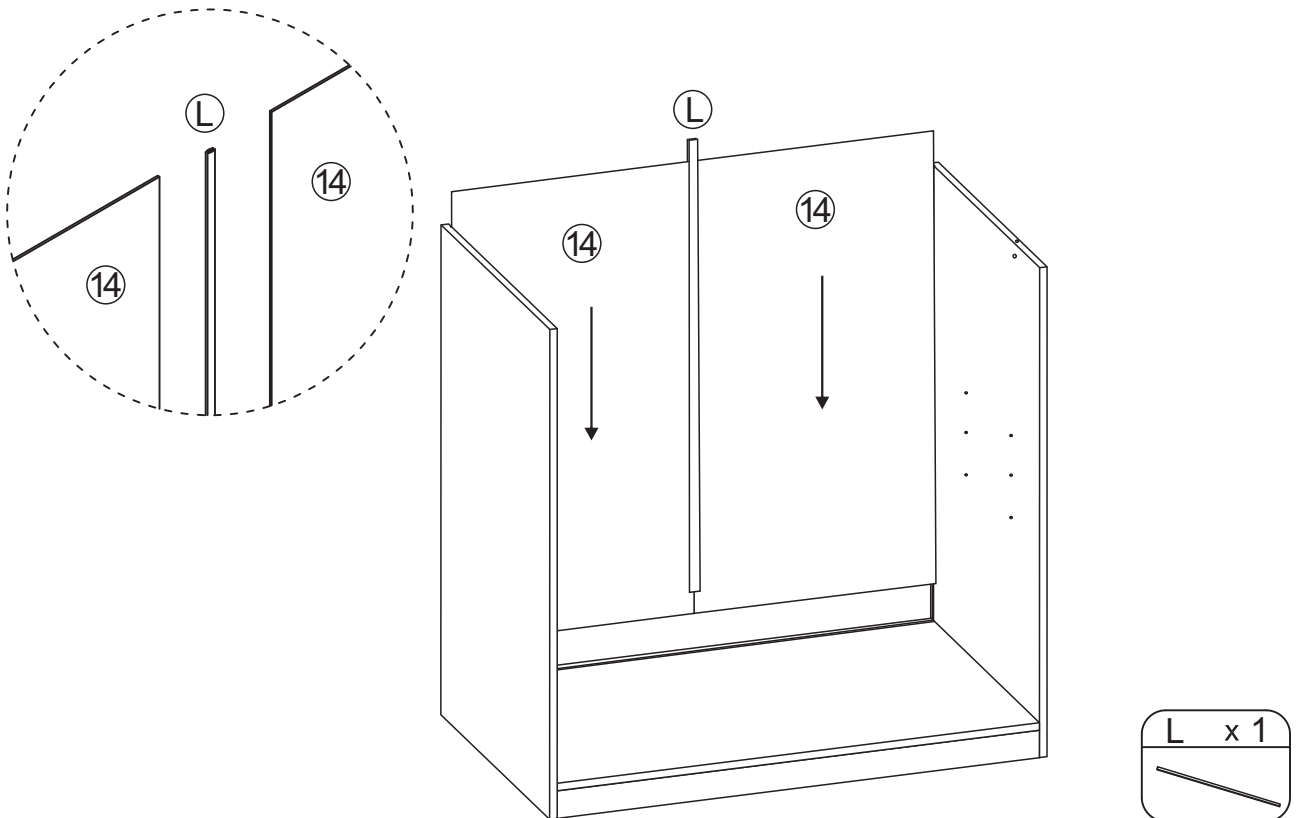
## Step 2



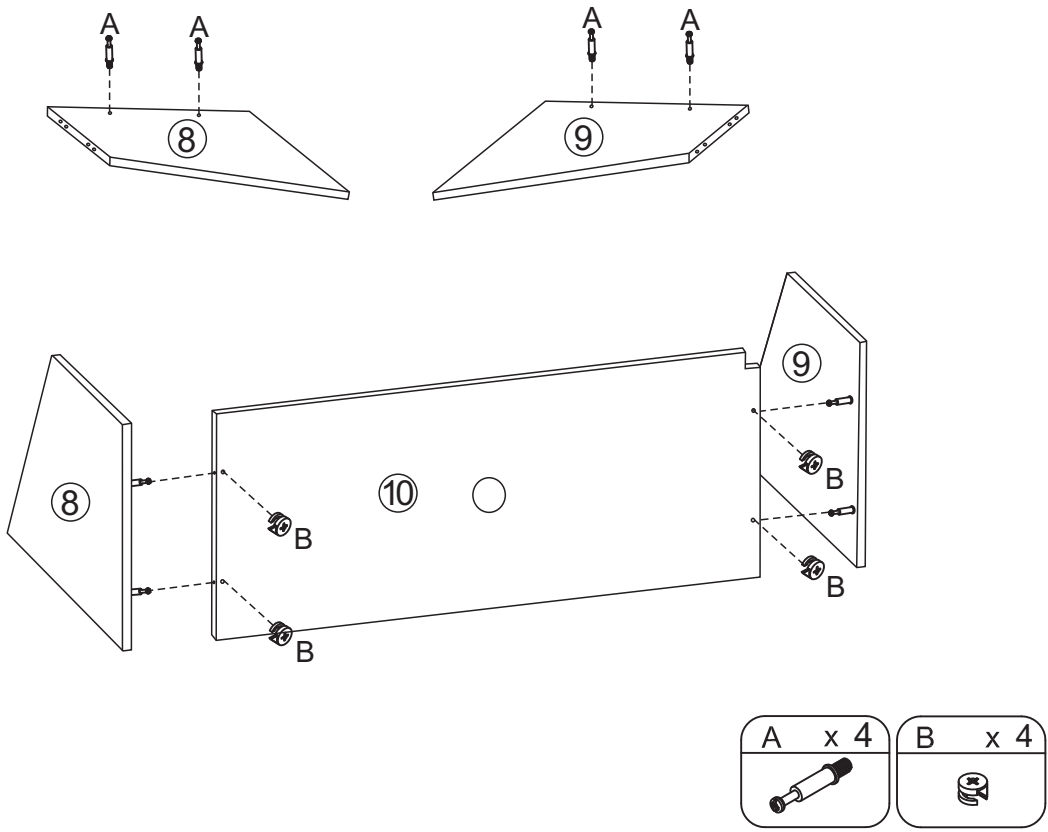
# Step 3



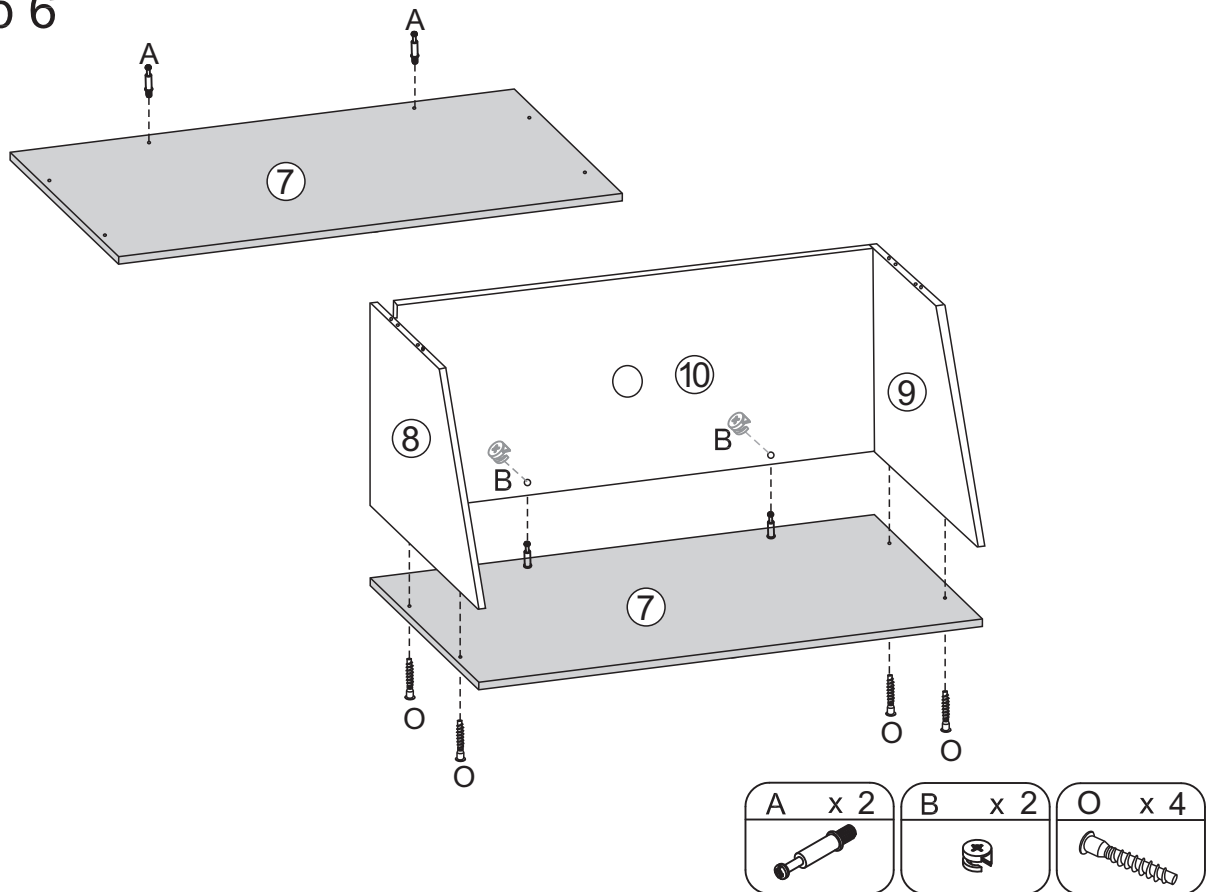
# Step 4



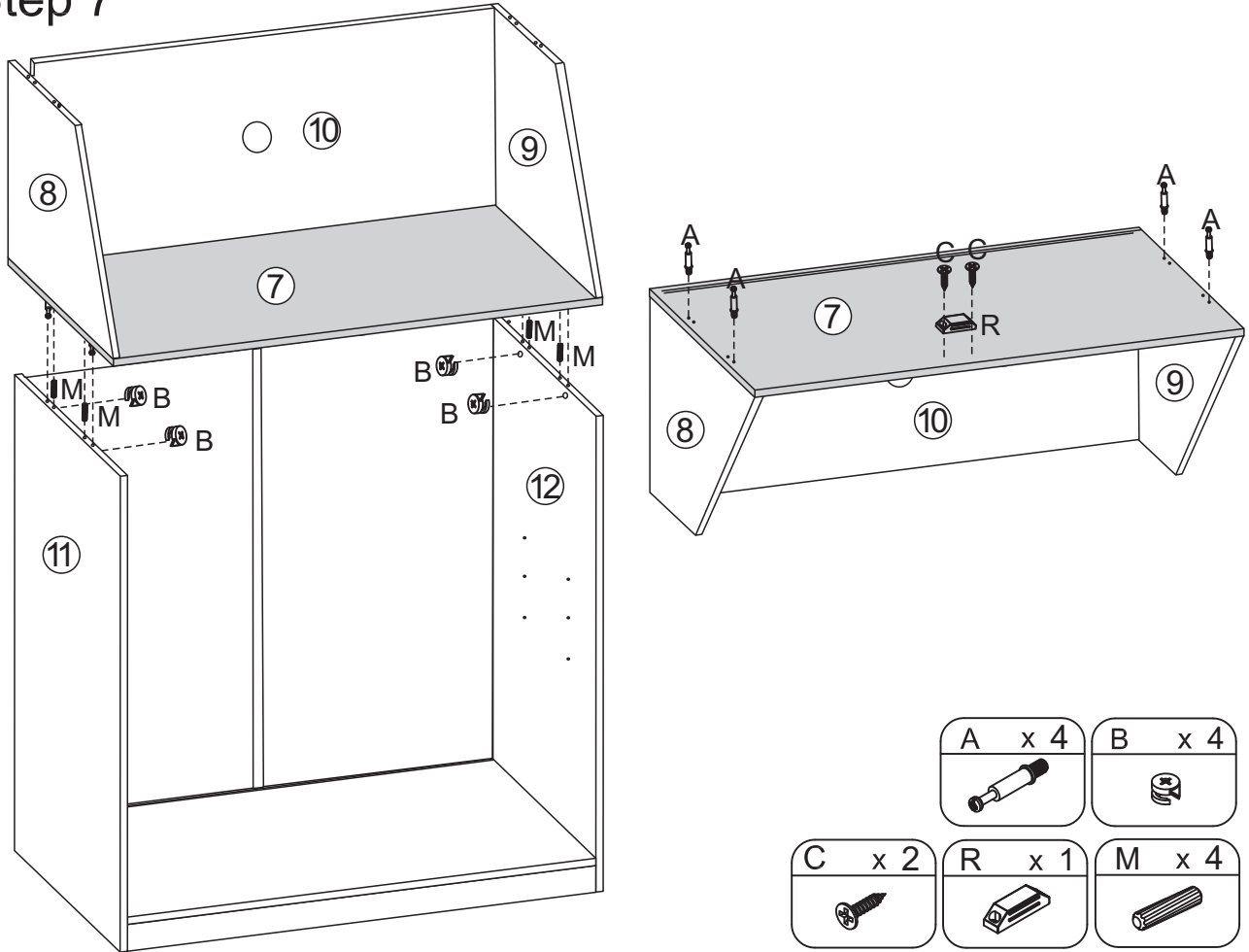
# Step 5



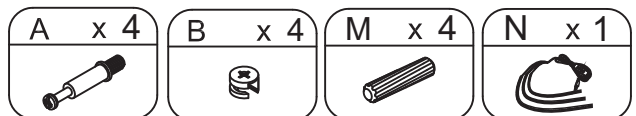
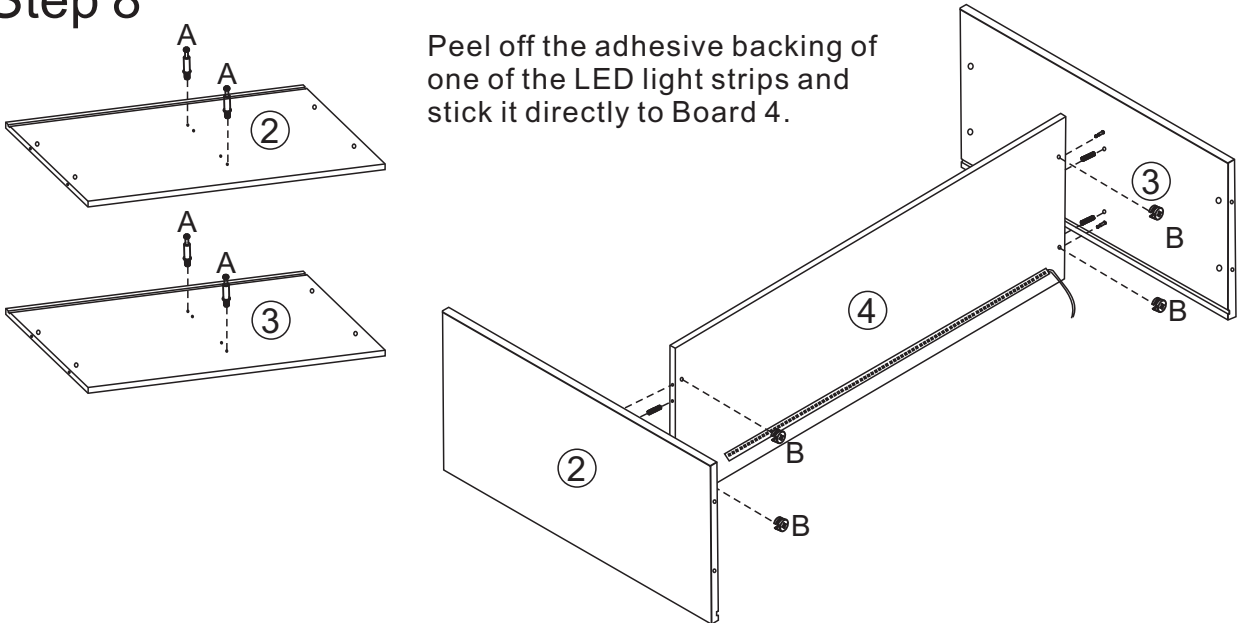
# Step 6



# Step 7

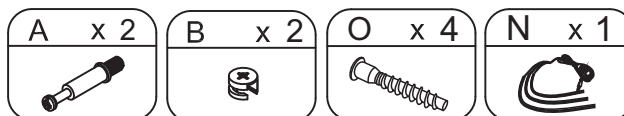
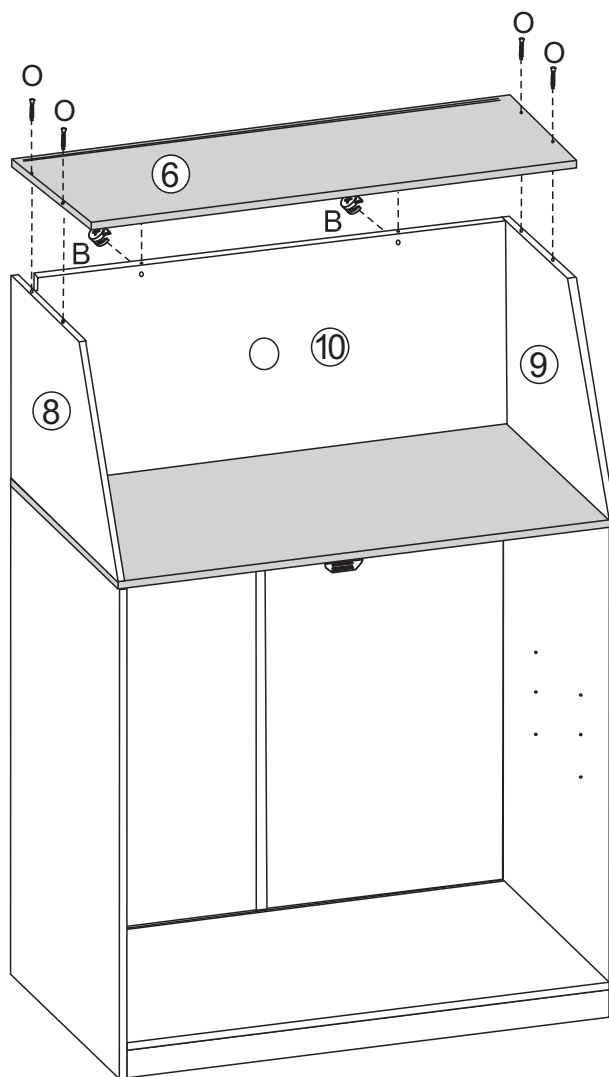
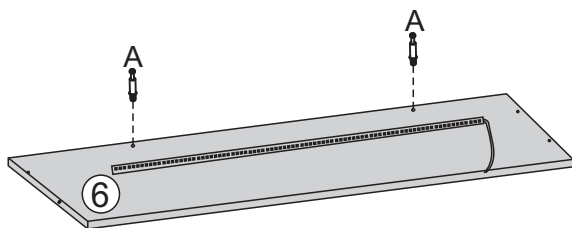


# Step 8

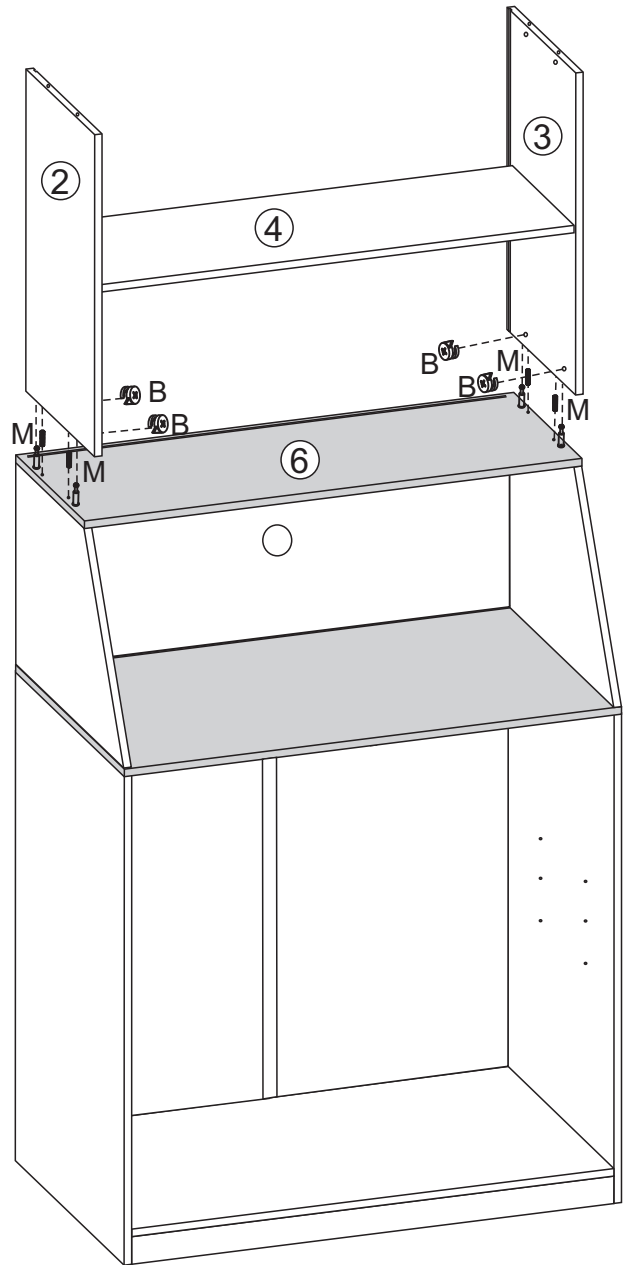
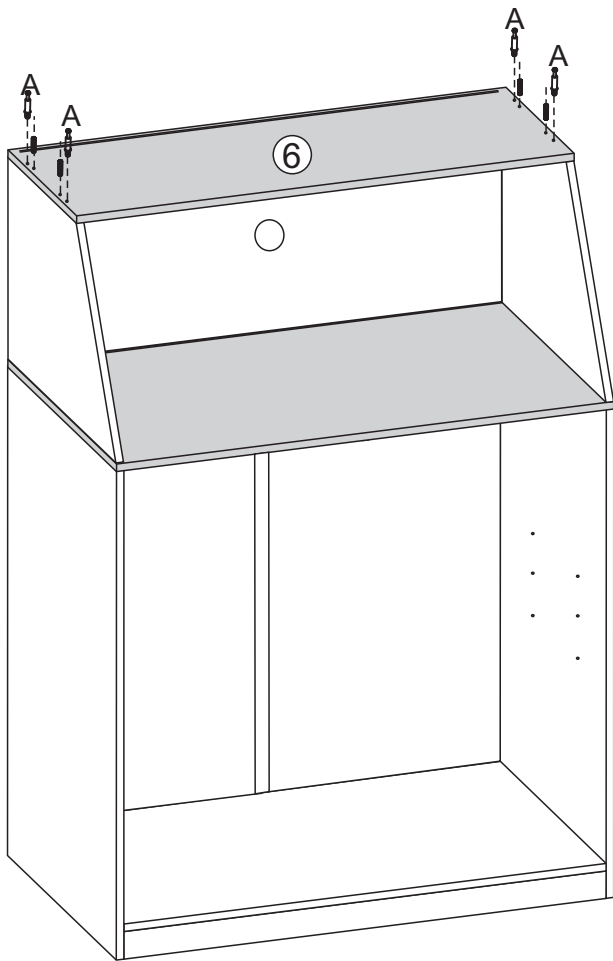





# Step 9

Peel off the adhesive backing of one of the LED light strips and stick it directly to Board 6.

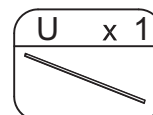
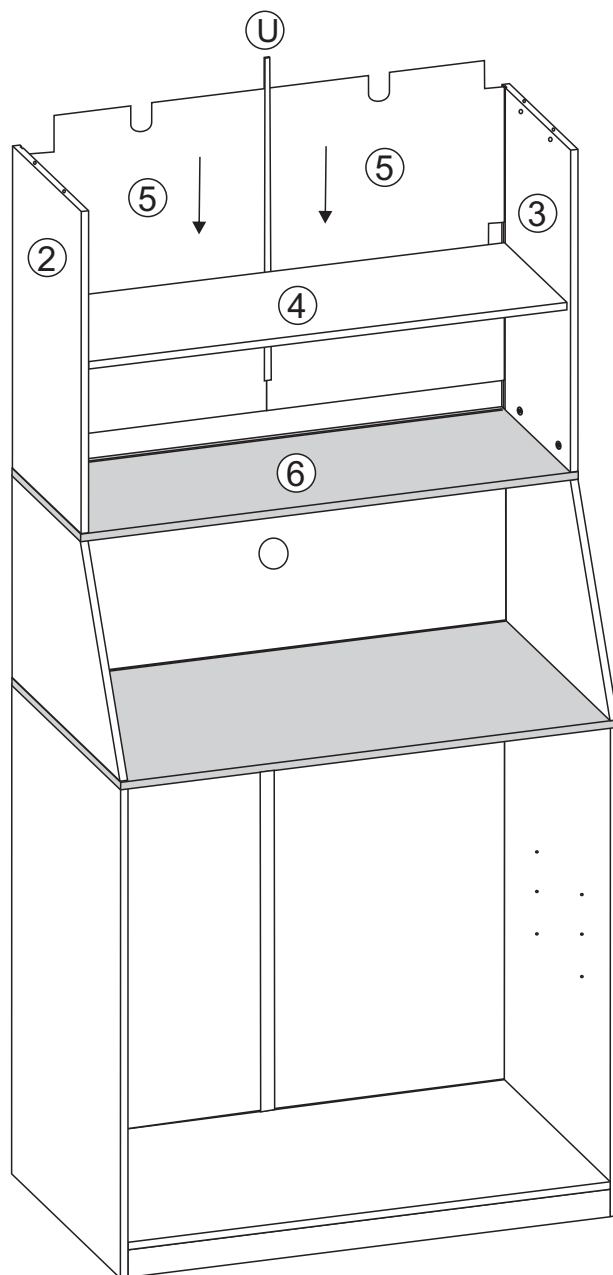
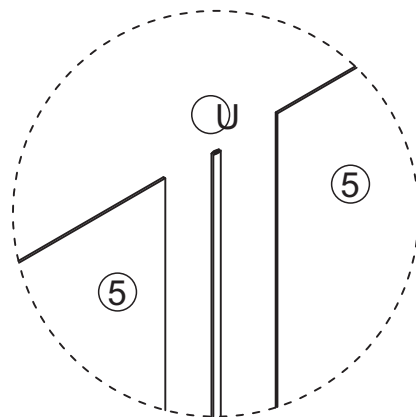


# Step 10

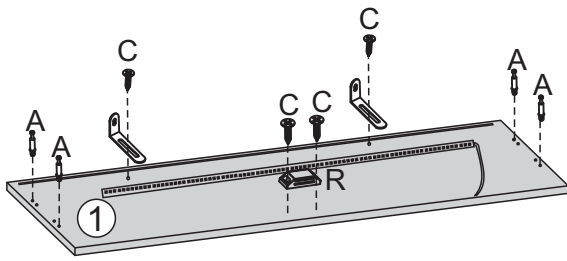


- |   |   |   |
|---|---|---|
| A x 4   | B x 4   | M x 4   |
|  |  |  |

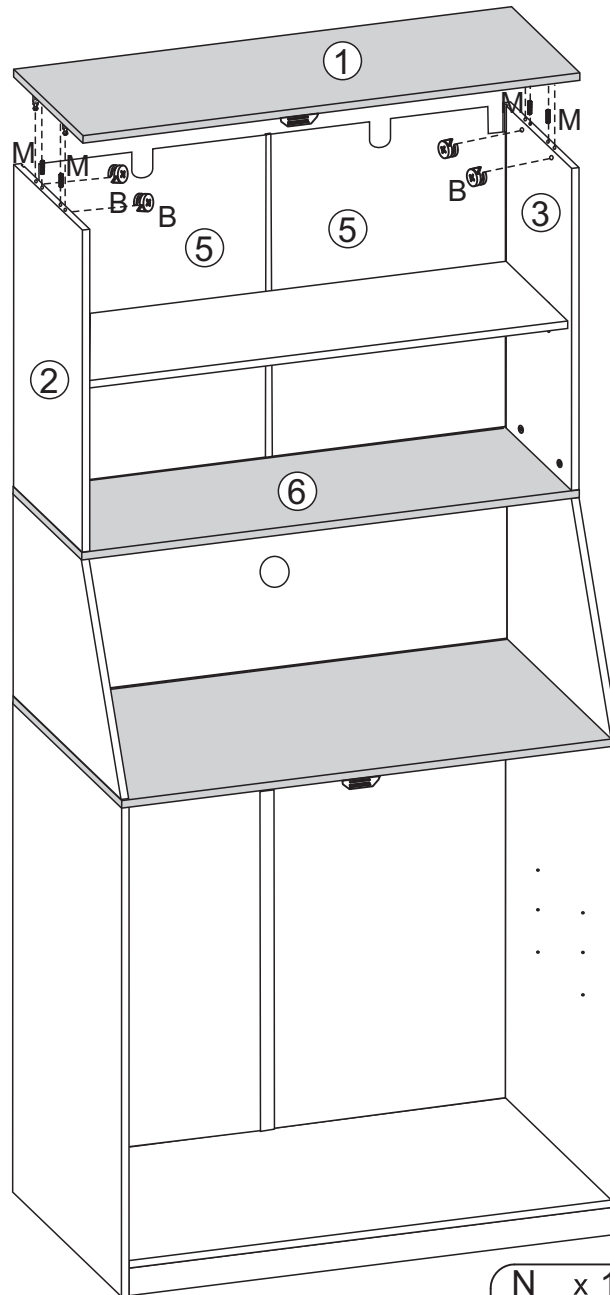
# Step 11



# Step 12



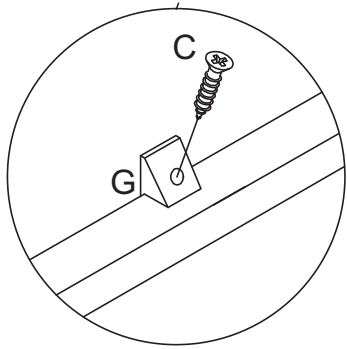
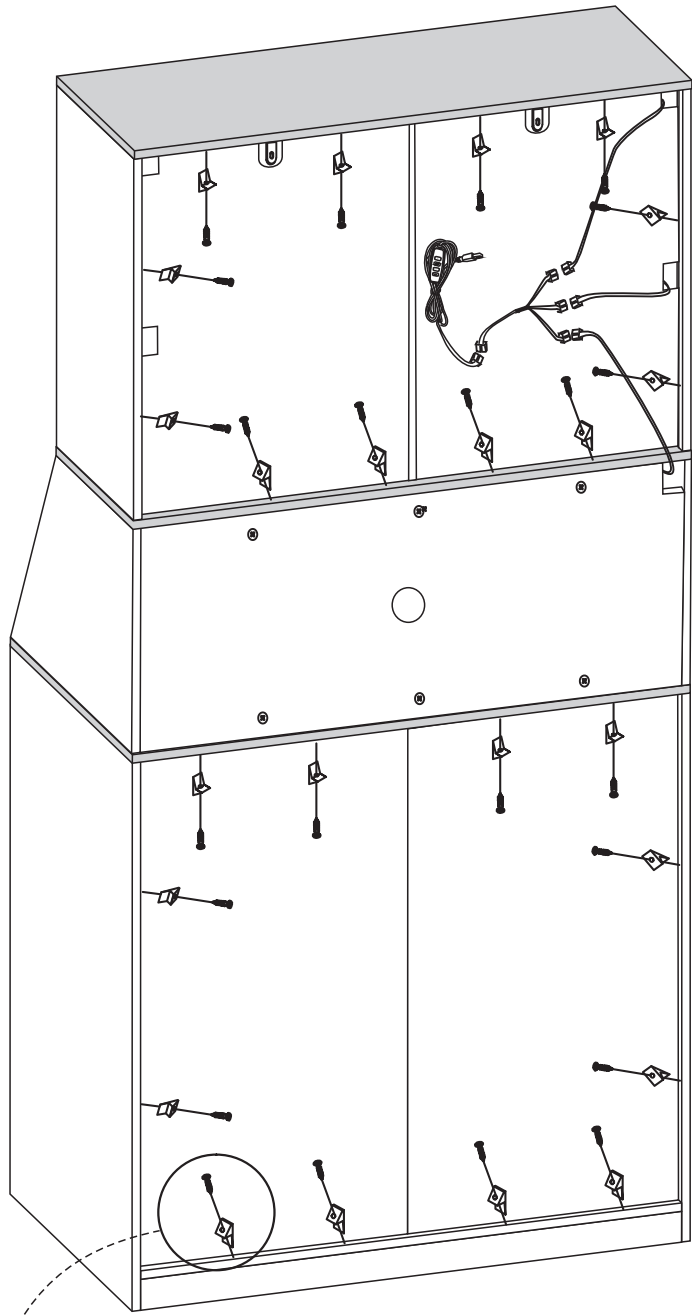
Peel off the adhesive backing of one of the LED light strips and stick it directly to Board 1.



N x 1	R x 1	M x 4
A x 4	B x 4	H x 2
		C x 4

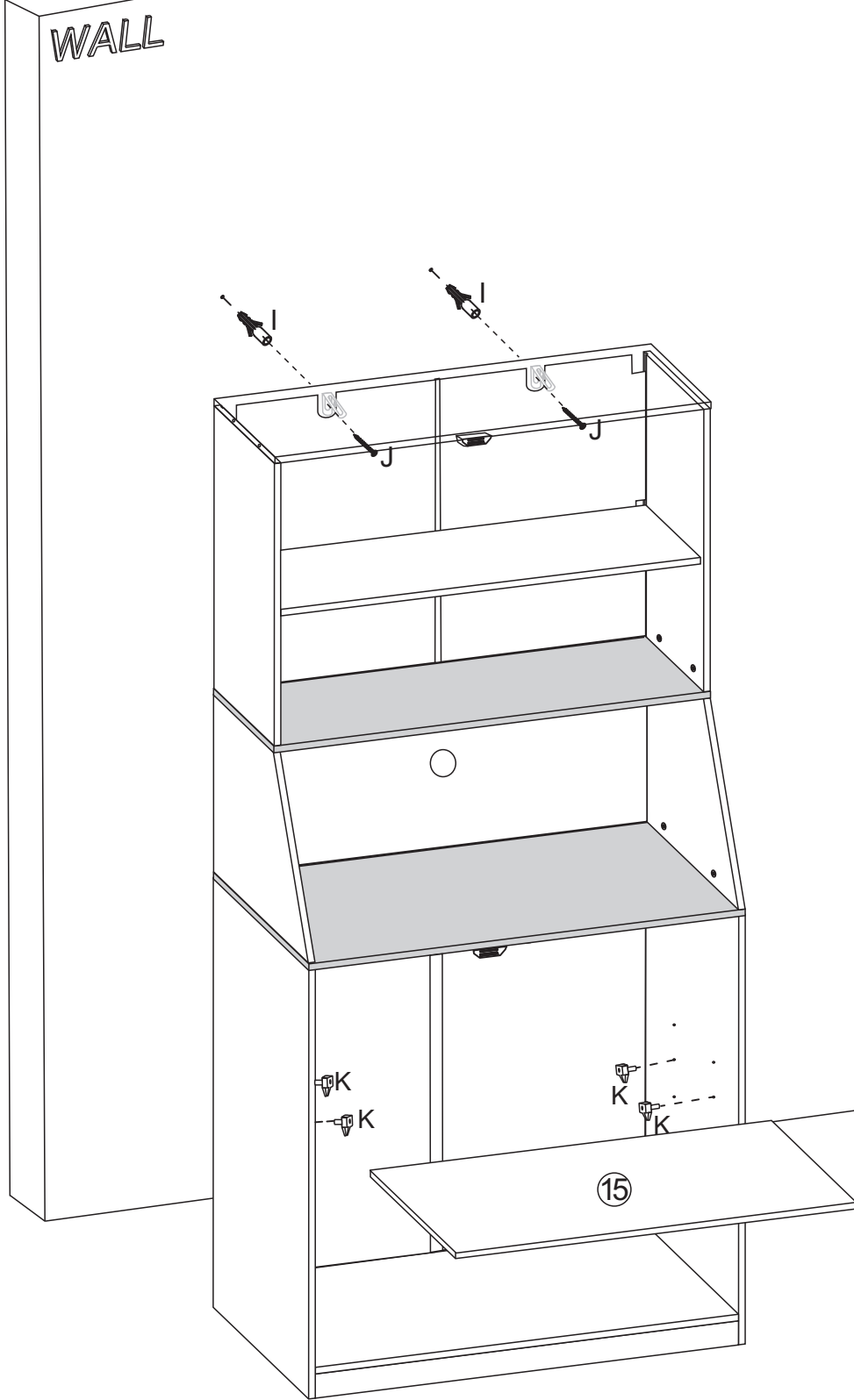
# Step 13

Connect the connector of the LED light strip to the connector of the power cord.



- |  |   |
|--|---|
| C x24  | G x24   |
| <br>M3*14 |  |

# Step 14



WALL x

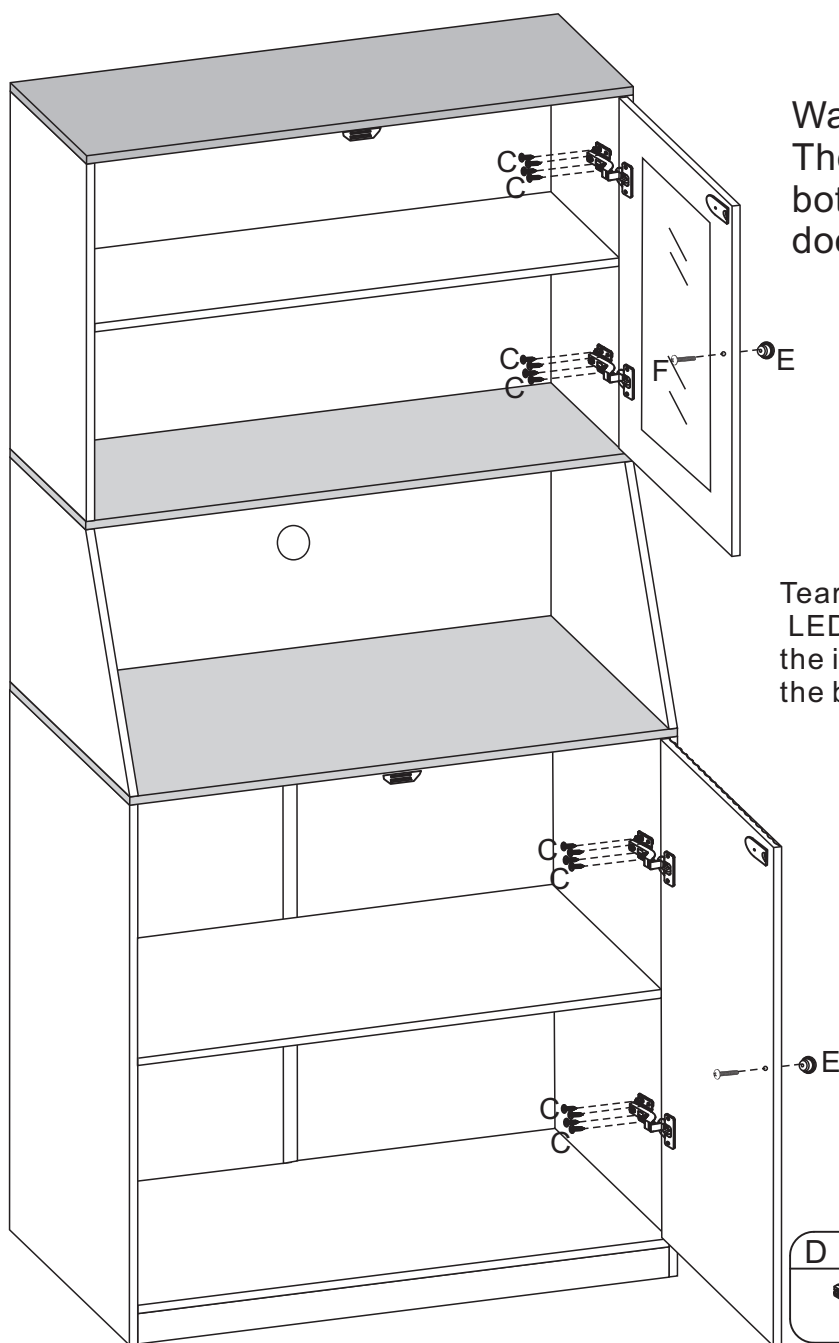
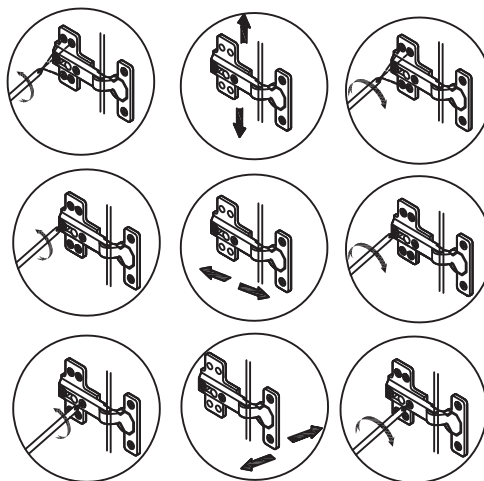
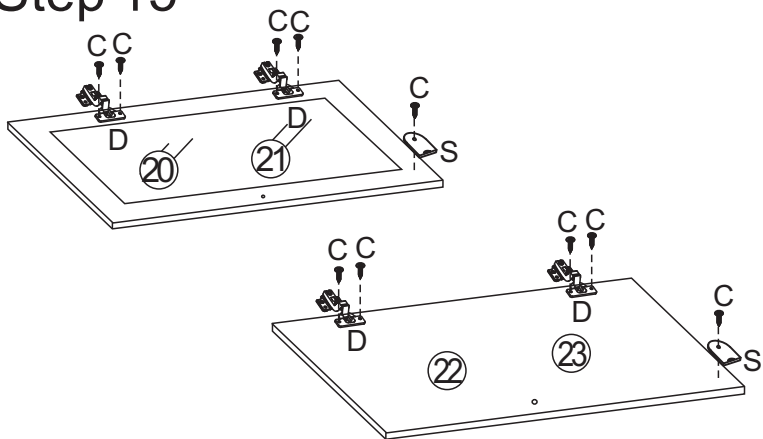
WALL

WALL

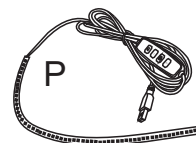
WALL

- |       |       |       |
|-------|-------|-------|
| K x 4 | I x 2 | J x 2 |
|       |       |       |






# Step 15



Warm reminder:  
The installation method for both sides of the cabinet doors is the same.







Tear off the paper behind the LED light strip and stick it on the inner wall of the drawer on the bedside table

F x 4	E x 4
	
D x 8	S x 4
	
C x 48	
	



## INSTRUCTIONS FOR USING THE BUTTONS ON LED STRIP REGULATOR

	LED strip color enhancement button
	LED strip color adjustment button
	LED strip color reduction button
	LED strip power-on button