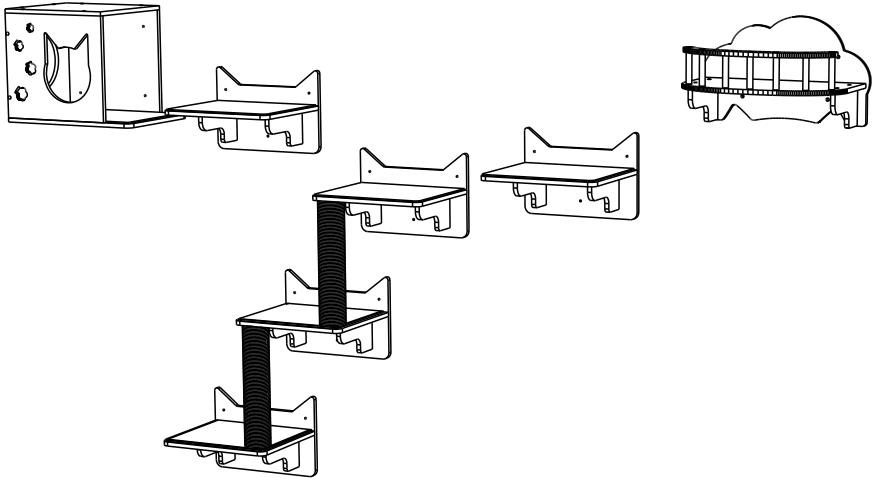


Mounted Cat Shelf Installation Instructions

Mounted Cat Shelf

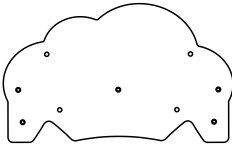
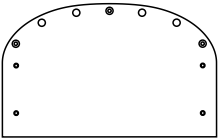
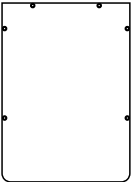
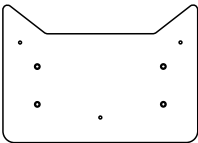
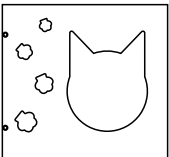
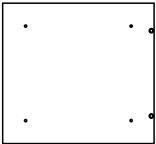
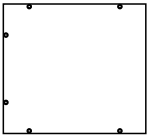
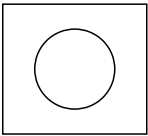
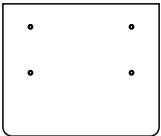
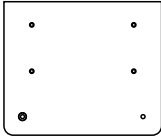
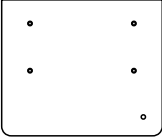
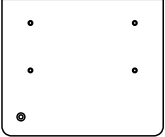
Model: SSGQK-02








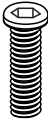


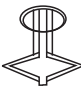

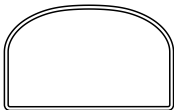
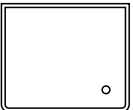
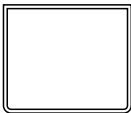
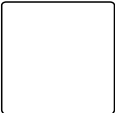

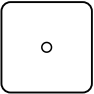
SPECIFICATIONS

Model	SSGQK-02
Color	Nature

COMPONENTS

 <p>Ax1</p>	 <p>Bx1</p>	 <p>Cx1</p>
 <p>Dx5</p>	 <p>Ex1</p>	 <p>Fx1</p>
 <p>Gx1</p>	 <p>Hx1</p>	 <p>Ix2</p>
 <p>Jx1</p>	 <p>Kx1</p>	 <p>Mx1</p>
<p>* each set of products is equipped with screwdrivers and wrenches</p>		

COMPONENTS

 <p>Nx2</p>	 <p>Ox12</p>	 <p>Px1</p>
<p>(M4*70) (M6*40)</p>   <p>N1x19 N2x71</p>	<p>(M8*35)</p>   <p>N3x4 N4x4</p>	 <p>Vx1</p>
  <p>T1x19 T2x19</p>	<p>(Loop-pile mat)</p>  <p>Qx1</p>	<p>(Loop-pile mat)</p>  <p>R1x2</p>
<p>(Loop-pile mat)</p>  <p>R2x3</p>	<p>(Plain velours)</p>  <p>Sx1</p>	  <p>Tx7 Ux4</p>
<p>* each set of products is equipped with screwdrivers and wrenches</p>		

Assembly Instructions

TIPS:

- 1.The number of screws marked above is the actual number used during installation. When the product is shipped, 1~3 more screws of each type will be given as spares.
2. During the use of the product, children are prohibited from approaching without the company of adults.
3. The edge of the product is a bit sharp, and you need to wear gloves for installation; at the same time, it comes with sandpaper, so you can polish the edge again by yourself; without gloves, be careful when touching the running wheel.
- 4.Do not tighten the installation screws at once. Tighten the installation screws twice after all screws are aligned
- 5.It is recommended that two or more people install the device



6.Please use the following tools to install



Tape measure



Scissors



Marker pen



screwdriver



Electric drill

Please mark the position on the wall against the plate, reserve about 30cm distance between the jump platforms, drill the hole and bury the expansion tube
(A 6mm drill bit is used for solid walls and a yellow expansion tube is embedded; a 9mm drill bit is used for hollow walls and a butterfly expansion tube is embedded)

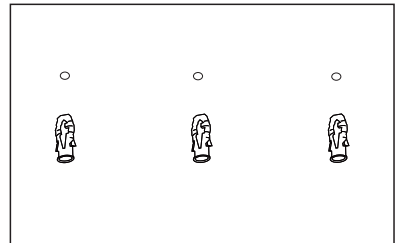
Expansion solenoid



Butterfly solenoid

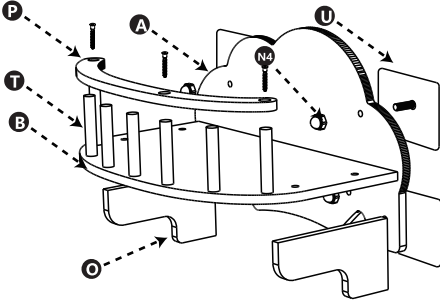


M4*70

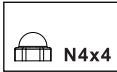
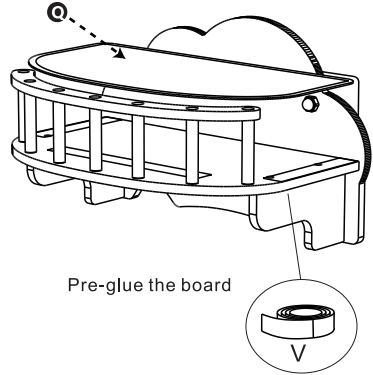


Assembly Instructions

STEP 1

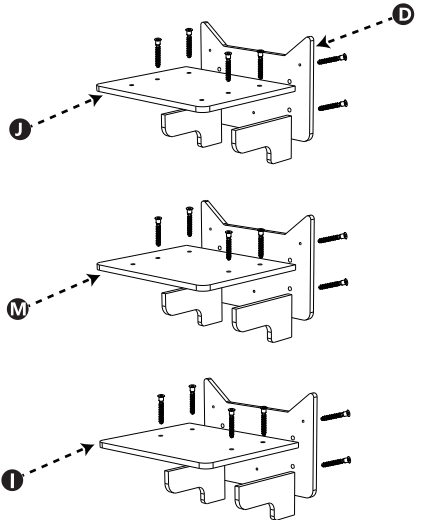
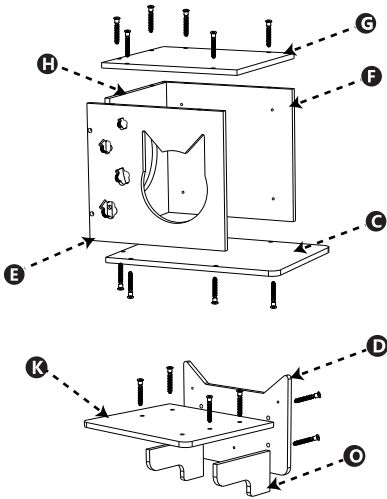


STEP 2



Install the fence table as shown
(note that this part is mounted on the glass wall)

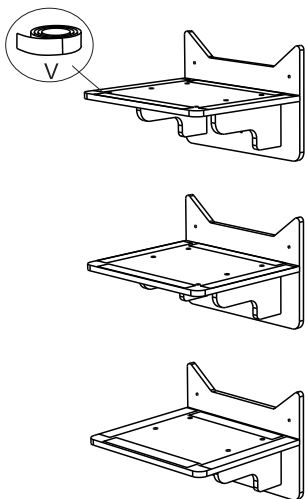
STEP 3



The picture shows a jumping platform and a cat's nest

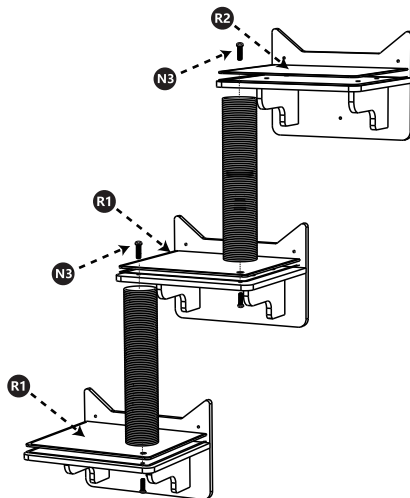
Assembly Instructions

STEP 4



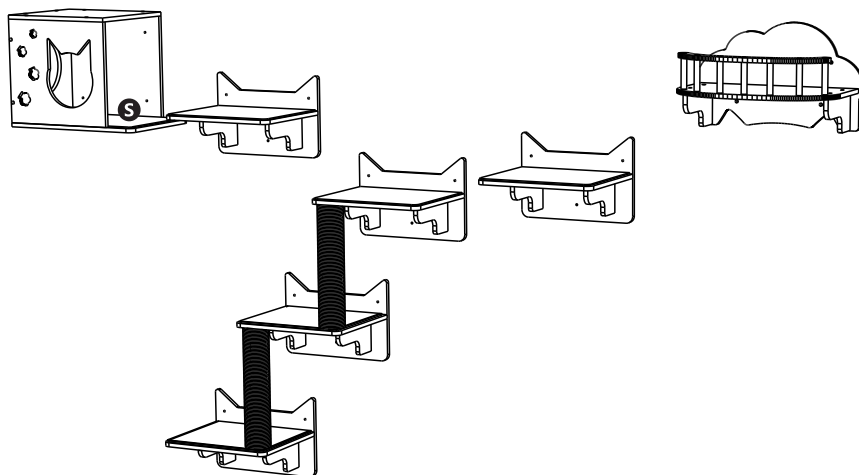
Put back glue on all four sides of the jumps

STEP 5



The jumping platform is fixed to the top ring and connected to the pole

STEP 6



All parts are nailed to the wall
(The installation distance of each component should be within 30cm)

Address: Shuangchenglu 803nong11hao1602A-1609shi, baoshanqu, shanghai 200000 CN.

Imported to AUS: SIHAO PTY LTD, 1 ROKEVA STREETEASTWOOD NSW 2122 Australia

Imported to USA: Sanven Technology Ltd.Suite 250, 9166 Anaheim Place, Rancho Cucamonga, CA 91730

EC	REP
-----------	------------

E-CrossStu GmbH.

Mainzer Landstr.69, 60329 Frankfurt am Main.

UK	REP
-----------	------------

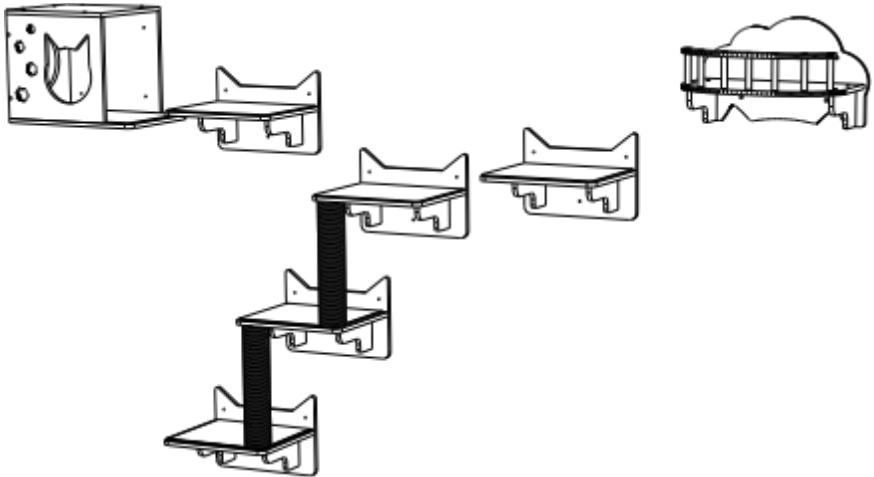
YH CONSULTING LIMITED.

C/O YH Consulting Limited Office 147, Centurion House,
London Road, Staines-upon-Thames, Surrey, TW18 4AX.

Mensola per gatti montata Installazione Istruzioni

Mounted Cat Shelf

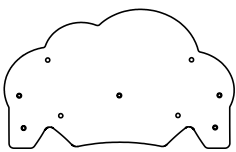
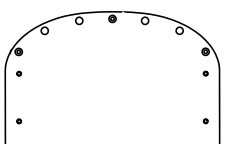
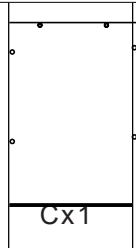
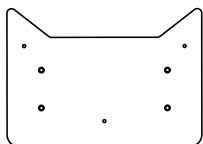
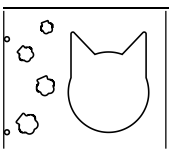
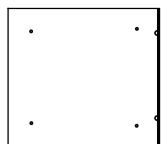
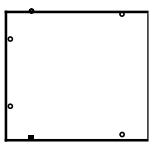
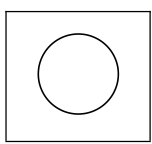
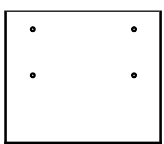
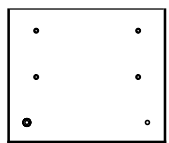
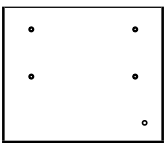
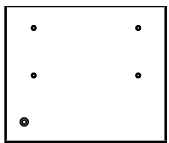
Modello: SSGQK-02



















SPECIFICHE

Modello	SSGQK-02
Colore	Natura

COMPONENTI

 <p>Ascia 1</p>	 <p>Bx1</p>	 <p>Cx1</p>
 <p>Dx5</p>	 <p>Es1</p>	 <p>Fx1</p>
 <p>Gx1</p>	 <p>Hx1</p>	 <p>lx2</p>
 <p>Jx1</p>	 <p>Kx1</p>	 <p>Mx1</p>
<p>*ogni insieme di prodotti s è dotato di cacciaviti e chiavi inglesi</p>		

COMPONENTS

 <p>Nx2</p>	 <p>Ox12</p>	 <p>Px1</p>
<p>(M4*70) (M6*40)</p>   <p>N1x19 N2x71</p>	<p>(M8*35)</p>   <p>N3x4 N4x4</p>	 <p>Vx1</p>
  <p>T1x19 T2x19</p>	<p>(Loop-pile mat)</p>  <p>Qx1</p>	<p>(Loop-pile mat)</p>  <p>R1x2</p>
<p>(Loop-pile mat)</p>  <p>R2x3</p>	<p>(Plain velours)</p>  <p>Sx1</p>	  <p>Tx7 Ux4</p>
<p>* each set of products is equipped with screwdrivers and wrenches</p>		

Assemblea Istruzioni

SUGGERIMENTI :

- 1 .IL numero di viti marchio d Sopra è il effettivo numero utilizzato durante installazione. Quando IL Prodotto viene spedito , 1 ~3 più viti di ciascun tipo volontà Essere dato COME pezzi di ricambio.
 2. Durante IL utilizzo del Prodotto, bambini Sono proibito da avvicinandosi senza IL azienda Di adulti .
 3. Il bordo del Prodotto È UN un po' tagliente , E tu Bisogno indossare i guanti per installazione; allo stesso tempo, viene fornito con carta vetrata, Quindi tu Potere polacco il bordo
- Ancora da solo; senza guanti , stai attento Quando toccante IL ruota in corsa .
- 4 . Non serrare le viti di installazione subito . Stringere il installazione viti due volte dopo tutte le viti sono allineati
 5. Si consiglia di farlo due o più persone installano il dispositivo



- 6 . Per favore utilizza il seguente strumenti da installare



Metro A nastro



forbici Pennarello cacciavite



si prega di segnare la posizione sul muro contro la piastra, riservando una distanza di circa 30 cm fra IL piattaforme di salto, perforazione a sinistra buco e seppellire il tubo ionico di espansione
(Trapano A6mm la punta viene utilizzata per pareti solide e un tubo di espansione giallo è incorporato ; un trapano Gmm la punta viene utilizzata per pareti cave e un tubo di espansione a farfalla È incorporato)

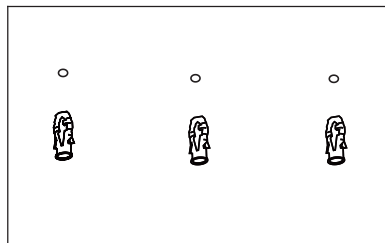
Solenoid
di
espansio
ne



Farfalla
solenoid
e

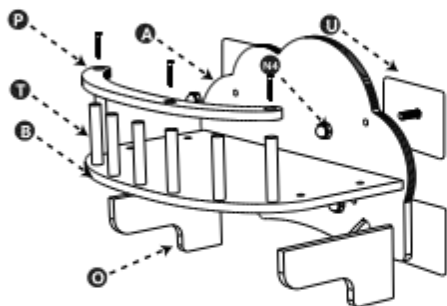


M4*70

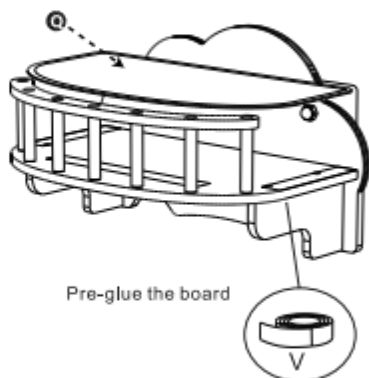


Assembly Instructions

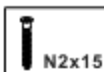
STEP 1



STEP 2

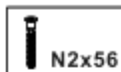
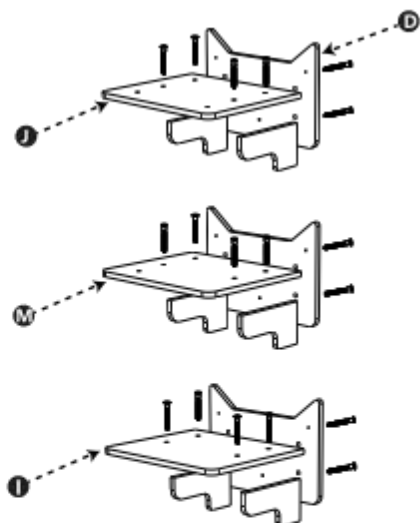
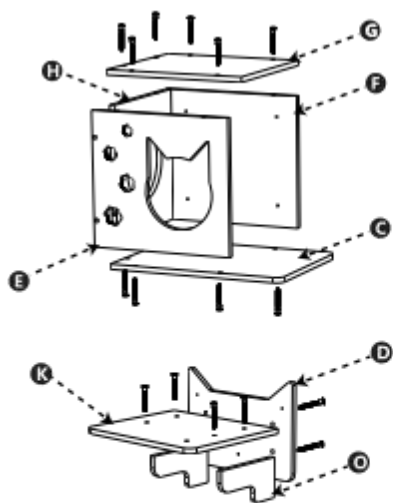


Pre-glue the board



Install the fence table as shown
(note that this part is mounted on the glass wall)

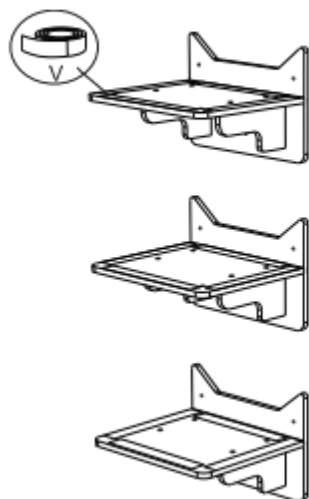
STEP 3



The picture shows a jumping platform and a cat's nest

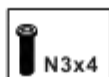
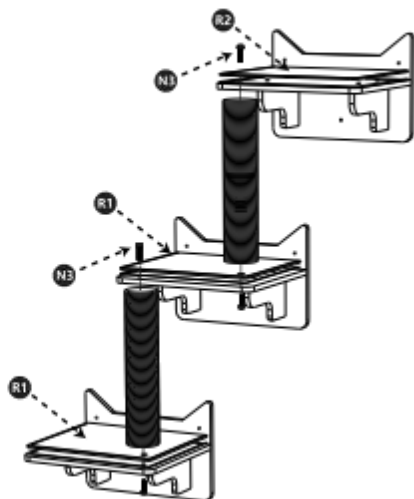
Assembly Instructions

STEP 4



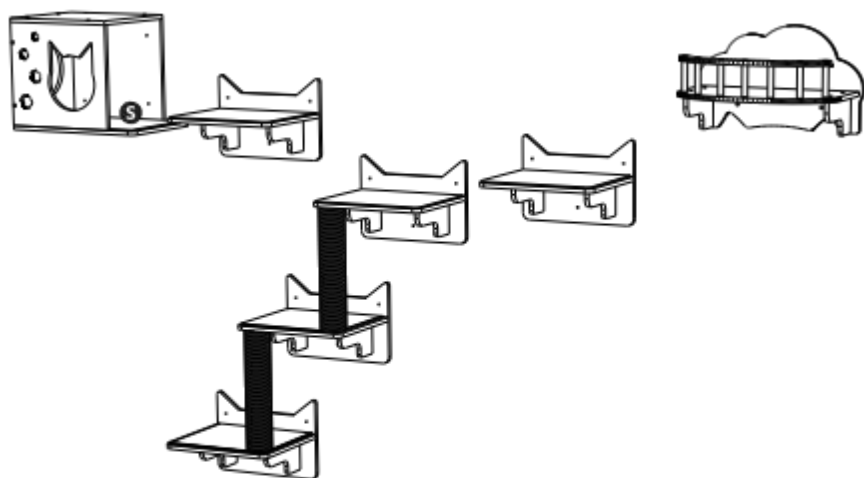
Put back glue on all four sides of the jumps

STEP 5



The jumping platform is fixed to the top ring and connected to the pole

STEP 6



All parts are nailed to the wall
(The installation distance of each component should be within 30cm)

Address: Shuangchenglu 803nong11hao1602A-1609shi, baoshanqu, shanghai 200000 CN.

Imported to AUS: SIHAO PTY LTD, 1 ROKEVA STREETEASTWOOD NSW 2122 Australia

Imported to USA: Sanven Technology Ltd.Suite 250, 9166 Anaheim Place, Rancho Cucamonga, CA 91730



E-CrossStu GmbH.

Mainzer Landstr.69, 60329 Frankfurt am Main.



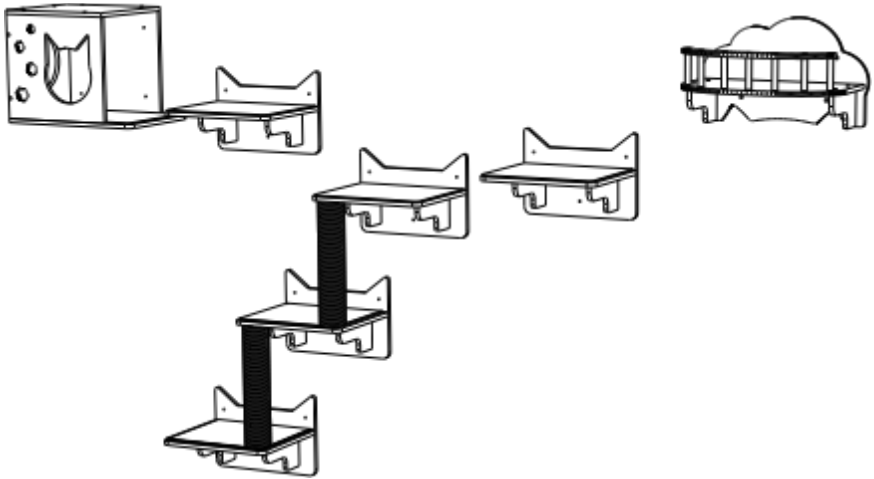
YH CONSULTING LIMITED.

C/O YH Consulting Limited Office 147, Centurion House,
London Road, Staines-upon-Thames, Surrey, TW18 4AX.

Zamontowana półka dla kota Instalacja Instrukcje

Mounted Cat Shelf

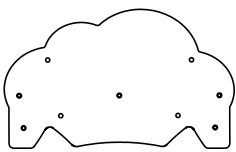
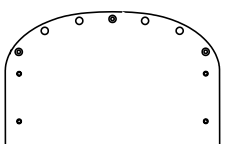
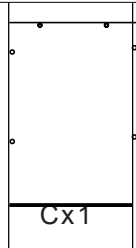
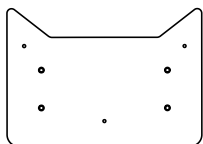
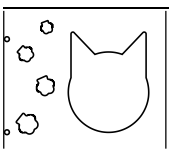
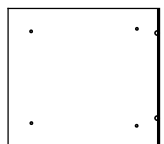
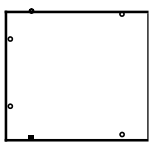
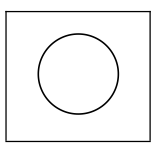
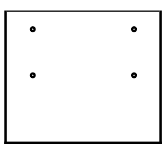
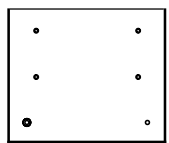
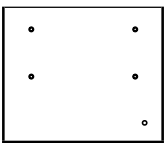
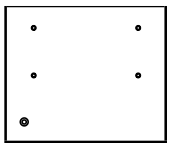
Model: SSGQK-02



















SPECYFIKACJE

Model	SSGQK-02
Kolor	Natura

SKŁADNIKI

 <p>Topór 1</p>	 <p>Bx1</p>	 <p>Cx1</p>
 <p>Dx 5</p>	 <p>Przykład 1</p>	 <p>Fx1</p>
 <p>Gx1</p>	 <p>Hx 1</p>	 <p>lux 2</p>
 <p>Jx 1</p>	 <p>Kx1</p>	 <p>Mx 1</p>
<p>*każdy zestaw produktów s jest wyposażony śrubokręty i klucze</p>		

COMPONENTS

 <p>Nx2</p>	 <p>Ox12</p>	 <p>Px1</p>
<p>(M4*70) (M6*40)</p>   <p>N1x19 N2x71</p>	<p>(M8*35)</p>   <p>N3x4 N4x4</p>	 <p>Vx1</p>
  <p>T1x19 T2x19</p>	<p>(Loop-pile mat)</p>  <p>Qx1</p>	<p>(Loop-pile mat)</p>  <p>R1x2</p>
<p>(Loop-pile mat)</p>  <p>R2x3</p>	<p>(Plain velours)</p>  <p>Sx1</p>	  <p>Tx7 Ux4</p>
<p>* each set of products is equipped with screwdrivers and wrenches</p>		

Montaż Instrukcje

PORADY :

1. The liczba śrub Marek D powyżej jest rzeczywisty użyty numer podczas instalacja. Kiedy the produkt jest wysyłany , 1 ~3 więcej śrub każdego wpis z wolę Być dany Jak części zamienne.
2. Podczas the używać z produkt, dzieci Czy zabroniony z zbliżający się bez the firma z dorośli ludzie .
3. Krawędź z produkt Jest A trochę ostry , A ty potrzebować nosić rękawiczki Do instalacja; w tym samym czasie , to przychodzi z papier ścierny, Więc ty Móc polski krawędź
Ponownie sam; bez rękawiczek , bądź ostrożny Kiedy wzruszające the biegnący węgorz . 4 . Nie dokręcaj śrub montażowych natychmiast .
Dokręcić instalacja
później dwukrotnie wkręcić wszystkie śruby są wyrównane
5. Zaleca się dwa lub więcej osób instaluje urządzenie



6. Proszę skorzystaj z poniższych narzędzia do zainstalowania



Taśma miernicza



nożyczki



Marker



śrubokręt



Wiertarka elektryczna

proszę zaznaczyć pozycję na ścianie względem płyty, zachowując odległość około 30 cm między the platformy do skoków, wiertarka lhte dziura i zakup rurkę jonową ekspansywną (Wiertło A6mm bit służy do ścian pełnych i jest osadzona w żółtej rurze rozprężnej ; wiertarka gmm Bit służy do pustych ścian i rurki rozprężnej motylkowej Jest osadzony)

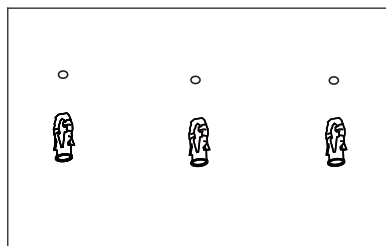
Elektroza
wór
rozprężn
y



Motyl
Elektroz
awór

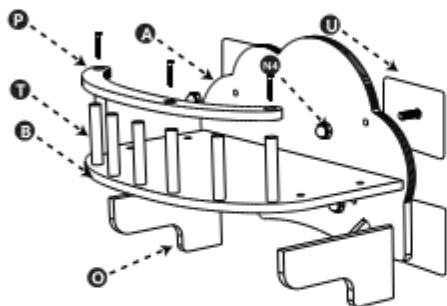


M4*70

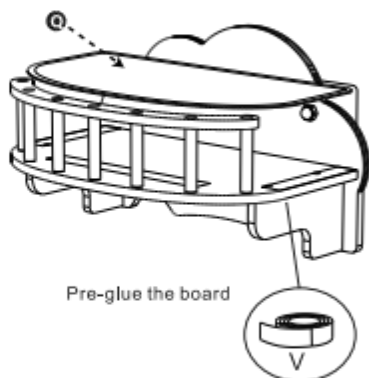


Assembly Instructions

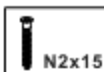
STEP 1



STEP 2

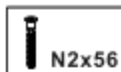
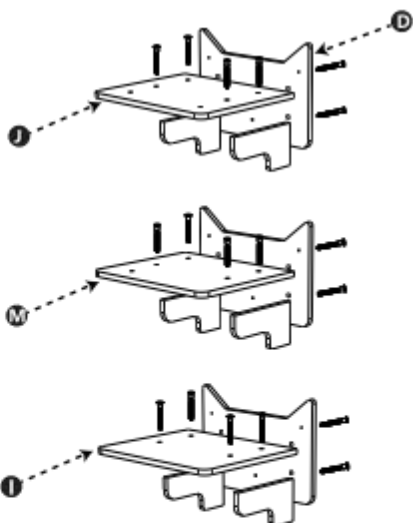
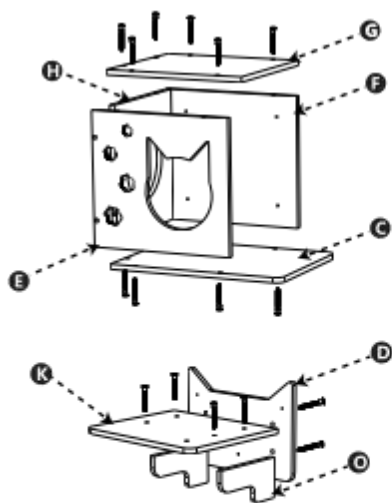


Pre-glue the board



Install the fence table as shown
(note that this part is mounted on the glass wall)

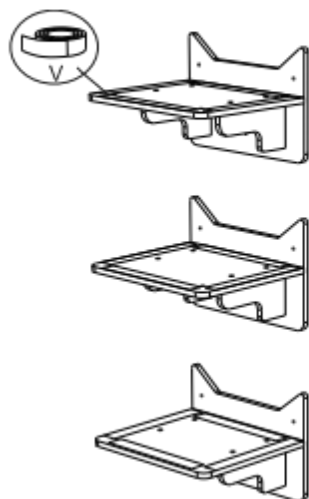
STEP 3



The picture shows a jumping platform and a cat's nest

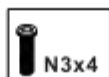
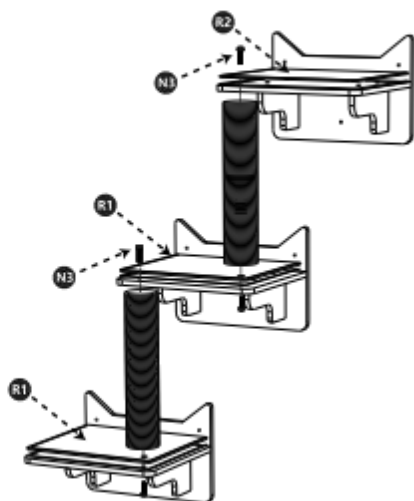
Assembly Instructions

STEP 4



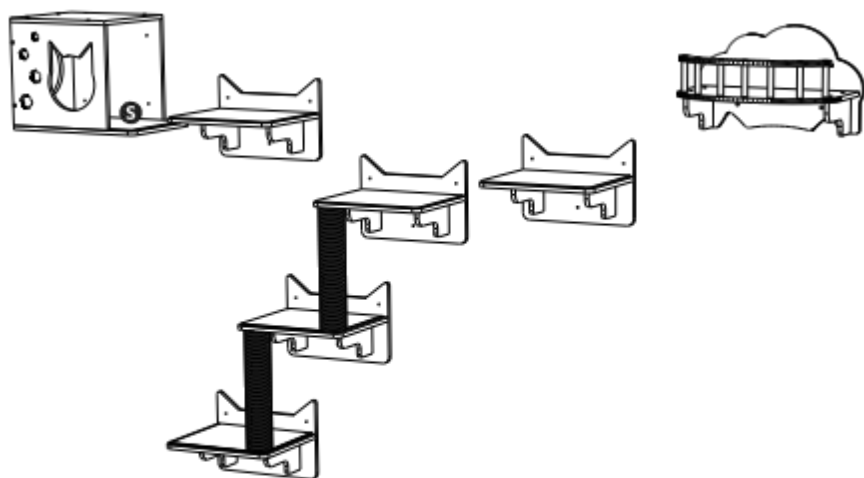
Put back glue on all four sides of the jumps

STEP 5



The jumping platform is fixed to the top ring and connected to the pole

STEP 6



All parts are nailed to the wall
(The installation distance of each component should be within 30cm)

Address: Shuangchenglu 803nong11hao1602A-1609shi, baoshanqu, shanghai 200000 CN.

Imported to AUS: SIHAO PTY LTD, 1 ROKEVA STREETEASTWOOD NSW 2122 Australia

Imported to USA: Sanven Technology Ltd.Suite 250, 9166 Anaheim Place, Rancho Cucamonga, CA 91730



E-CrossStu GmbH.

Mainzer Landstr.69, 60329 Frankfurt am Main.



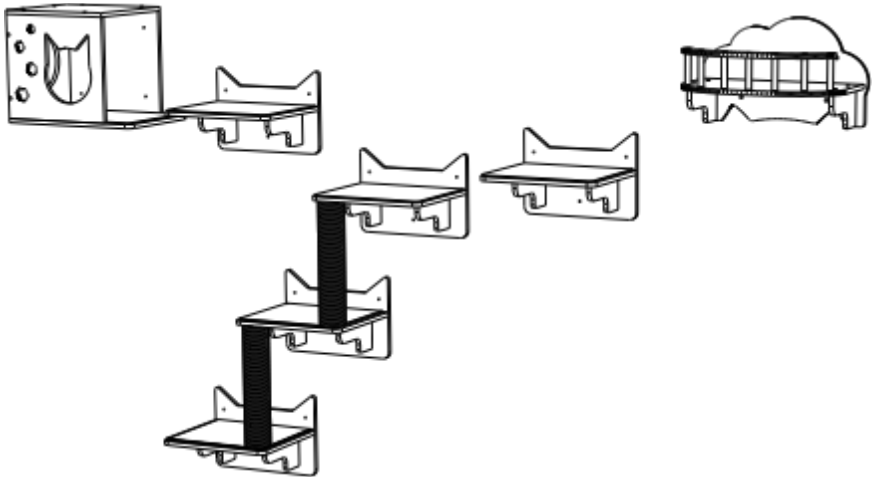
YH CONSULTING LIMITED.

C/O YH Consulting Limited Office 147, Centurion House,
London Road, Staines-upon-Thames, Surrey, TW18 4AX.

Montiertes Katzenregal Installation Anweisungen

Mounted Cat Shelf

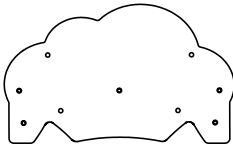
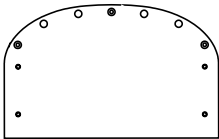
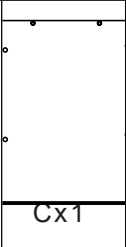
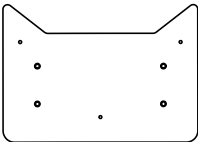
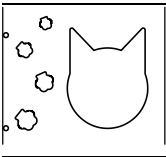
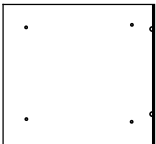
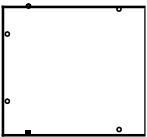
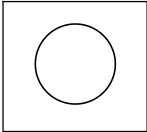
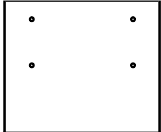
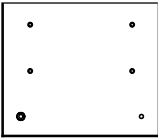
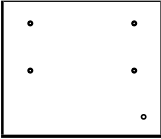
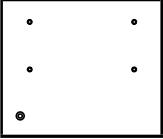
Modell: SSGQK-02



















SPEZIFIKATIONEN

Modell	SSGQK-02
Farbe	Natur

KOMPONENTEN

 <p>Axt 1</p>	 <p>Bx 1</p>	 <p>Cx1</p>
 <p>Dx 5</p>	 <p>Beispiel 1</p>	 <p>Fx1</p>
 <p>Gx 1</p>	 <p>Hx 1</p>	 <p>2. Klasse</p>
 <p>Jx 1</p>	 <p>Kx 1</p>	 <p>Mx 1</p>
<p>*jede Satz von Produkten ist ausgestattet mit Schraubendreher und Schraubenschlüssel</p>		

COMPONENTS

 <p>Nx2</p>	 <p>Ox12</p>	 <p>Px1</p>
<p>(M4*70) (M6*40)</p>   <p>N1x19 N2x71</p>	<p>(M8*35)</p>   <p>N3x4 N4x4</p>	 <p>Vx1</p>
  <p>T1x19 T2x19</p>	<p>(Loop-pile mat)</p>  <p>Qx1</p>	<p>(Loop-pile mat)</p>  <p>R1x2</p>
<p>(Loop-pile mat)</p>  <p>R2x3</p>	<p>(Plain velours)</p>  <p>Sx1</p>	  <p>Tx7 Ux4</p>
<p>* each set of products is equipped with screwdrivers and wrenches</p>		

Montage Anweisungen

TIPPS :

1. Der Anzahl Schrauben Marke D über ist der tatsächlich verwendete Nummer während

Installation. Wann Die Produkt Wird versandt , 1 ~3 mehr Schrauben von jedem Typ wird Sei gegeben als Ersatzteile.

2. Während Die verwenden des Produkt, Kinder Sind verboten aus nähert sich ohne Die Unternehmen von Erwachsene .

3. Die Kante des Produkt Ist A bisschen scharf , Und du brauchen Handschuhe tragen für

Installation; gleichzeitig , Es kommt mit Sandpapier, Also du dürfen Polieren die Kante wieder alleine; ohne Handschuhe , Seien Sie vorsichtig Wann berührend Die Laufrad . 4. Ziehen Sie die Montageschrauben nicht fest auf einmal .

Ziehen Sie die Installation

Schrauben zweimal nach Alle Schrauben Sind ausgerichtet

5. Es wird empfohlen, dass zwei oder mehr Leute installieren das Gerät



6. Bitte verwenden Sie die folgenden Werkzeuge zur Installation



Maßband



Schere



Markierstift



Schraubendreher



Bohrmaschine

Bitte markieren Sie die Position an der Wand gegenüber der Platte und lassen Sie ca. 30 cm Abstand. zwischen Die Sprungplattformen, Bohrer Ihre Loch und Vergraben Sie das Expansionsrohr

(Ein 6mm Bohrer Für Massivwände wird ein Bohrer verwendet, in den ein gelbes Expansionsrohr eingebettet ist ; ein GMM-Bohrer Der Bohrer wird für Hohlwände und Butterfly-Expansionsrohre verwendet. Ist eingebettet)

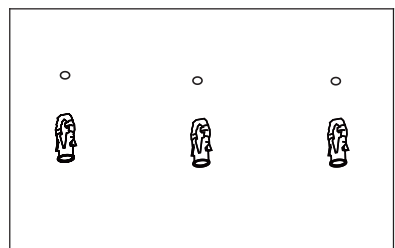
Expansion
smagnet



Schmett
erling
Magnet

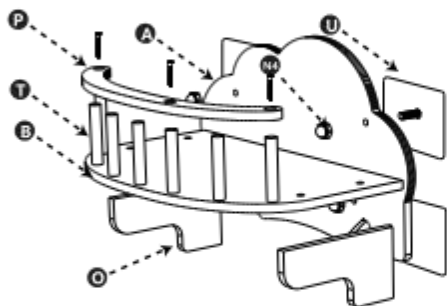


M4*70

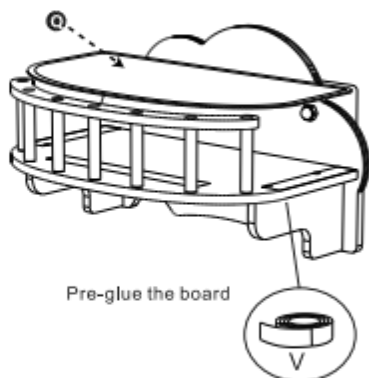


Assembly Instructions

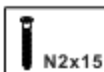
STEP 1



STEP 2

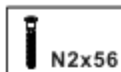
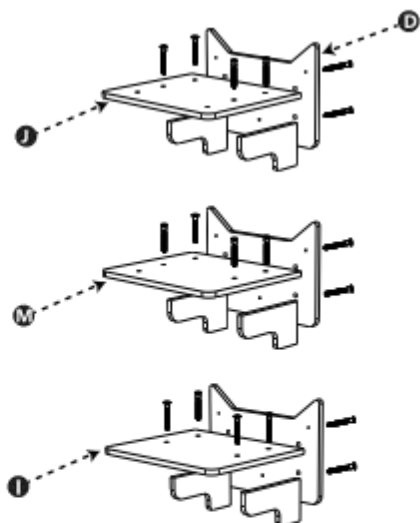
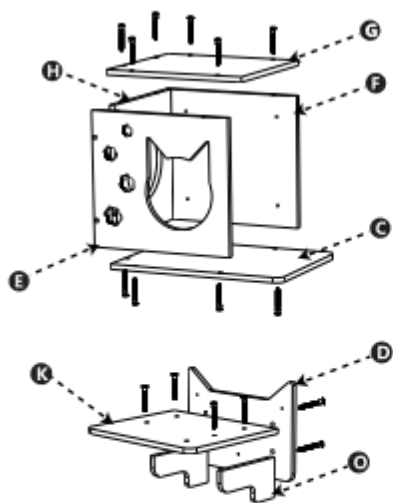


Pre-glue the board



Install the fence table as shown
(note that this part is mounted on the glass wall)

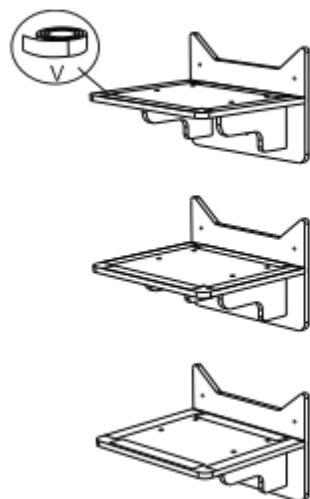
STEP 3



The picture shows a jumping platform and a cat's nest

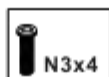
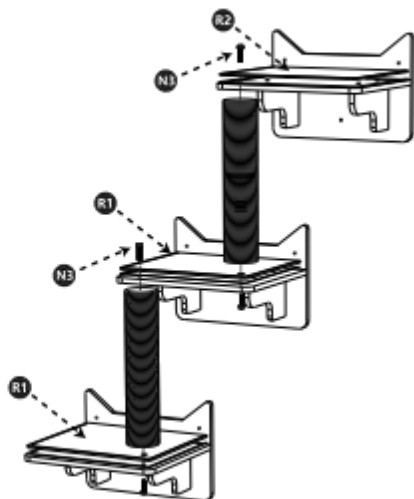
Assembly Instructions

STEP 4



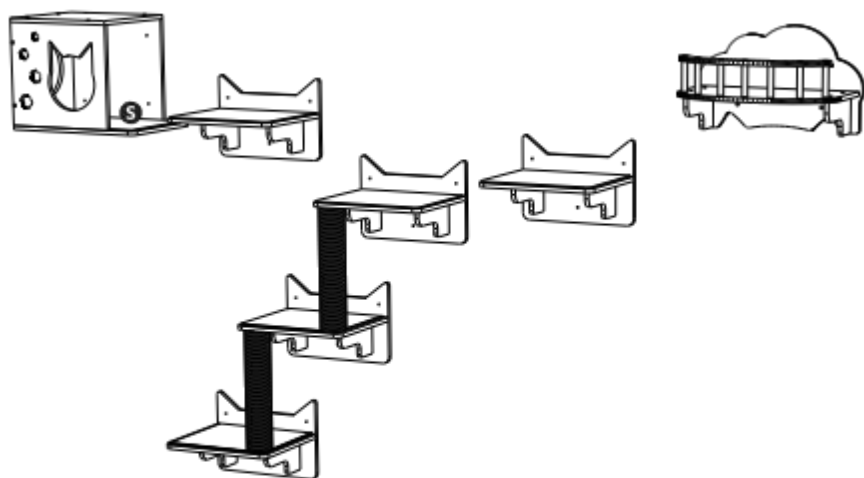
Put back glue on all four sides of the jumps

STEP 5



The jumping platform is fixed to the top ring and connected to the pole

STEP 6



All parts are nailed to the wall
(The installation distance of each component should be within 30cm)

Address: Shuangchenglu 803nong11hao1602A-1609shi, baoshanqu, shanghai 200000 CN.

Imported to AUS: SIHAO PTY LTD, 1 ROKEVA STREETEASTWOOD NSW 2122 Australia

Imported to USA: Sanven Technology Ltd.Suite 250, 9166 Anaheim Place, Rancho Cucamonga, CA 91730



E-CrossStu GmbH.

Mainzer Landstr.69, 60329 Frankfurt am Main.



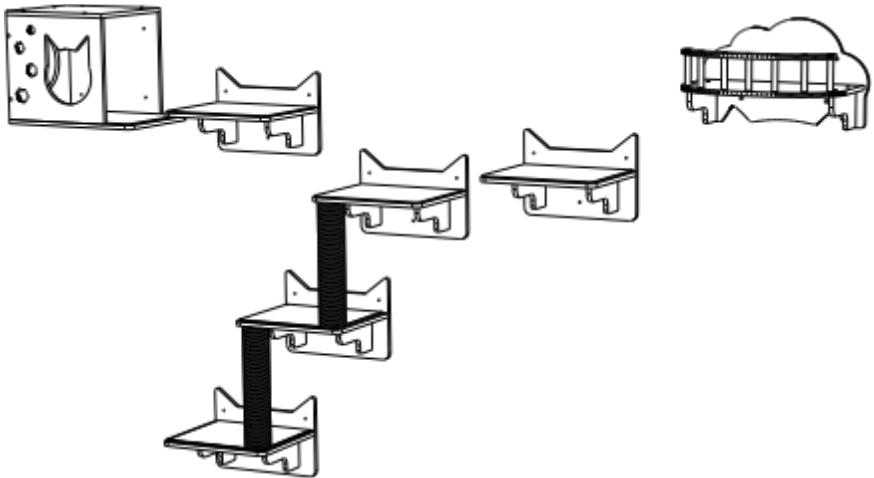
YH CONSULTING LIMITED.

C/O YH Consulting Limited Office 147, Centurion House,
London Road, Staines-upon-Thames, Surrey, TW18 4AX.

Étagère pour chat montée Installation Instructions

Mounted Cat Shelf

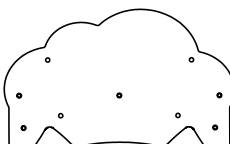
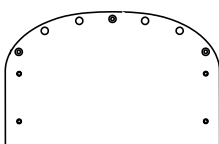
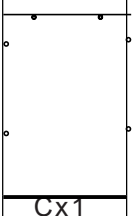
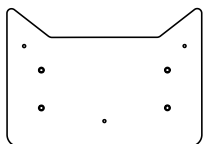
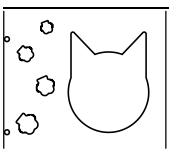
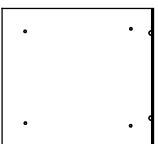
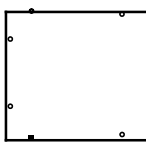
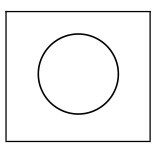
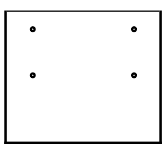
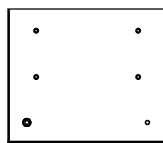
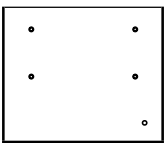
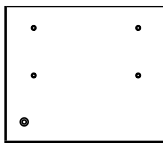
Modèle : SSGQK-02



















CARACTÉRISTIQUES

Modèle	SSGQK-02
Couleur	Nature

COMPOSANTS

 <p>Hache 1</p>	 <p>Boîte 1</p>	 <p>Cx1</p>
 <p>Dx5</p>	 <p>Ex1</p>	 <p>Effet1</p>
 <p>Gx1</p>	 <p>Hx1</p>	 <p>Ix2</p>
 <p>Jx1</p>	 <p>Kx1</p>	 <p>MX1</p>
<p>*chaque ensemble de produits est équipé de tournevis et clés</p>		

COMPONENTS

 <p>Nx2</p>	 <p>Ox12</p>	 <p>Px1</p>
<p>(M4*70) (M6*40)</p>   <p>N1x19 N2x71</p>	<p>(M8*35)</p>   <p>N3x4 N4x4</p>	 <p>Vx1</p>
  <p>T1x19 T2x19</p>	<p>(Loop-pile mat)</p>  <p>Qx1</p>	<p>(Loop-pile mat)</p>  <p>R1x2</p>
<p>(Loop-pile mat)</p>  <p>R2x3</p>	<p>(Plain velours)</p>  <p>Sx1</p>	  <p>Tx7 Ux4</p>
<p>* each set of products is equipped with screwdrivers and wrenches</p>		

Assemblée Instructions

CONSEILS :

- 1 . Le nombre de vis marqué au-dessus de est le réel numéro utilisé pendant installation. quand le produit est expédié , 1 ~3 plus de vis de chaque tapez va être donné comme pièces de rechange.
2. Pendant le utiliser de la produit, enfants sont interdit depuis approchant sans le entreprise de adultes .
3. Le bord de la produit est un un peu pointu , et toi besoin porter des gants pour installation; en même temps , Il est livré avec papier de verre, Alors toi peut polonais le bord encore par toi-même; sans gants , sois prudent quand émouvant le roue de course .
- 4 . NE serrez pas les vis d'installation immédiatement . Serrez les installation visser deux fois après toutes les vis sont alignés
5. Il est recommandé de deux ou plus de personnes installent l'appareil



- 6 . s'il te plaît utilisez le suivant outils pour installer



Mètre à ruban



ciseaux



Tournevis



Perceuse électrique



veuillez marquer la position sur le mur contre la plaque, réserver une distance d'environ 30 cm entre le plates-formes de saut, perceuse lhte trou et enterrer le tube ionique expansé (Foret A6mm le foret est utilisé pour les murs solides et un tube d'expansion jaune est intégré ; une perceuse gmm le foret est utilisé pour les parois creuses et un tube d'expansion papillon est intégré)

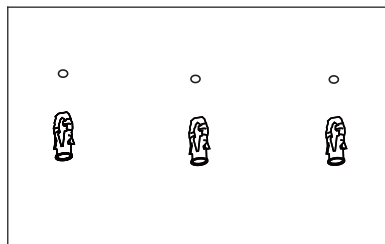
Solénoïde d'expansion



Papillon solénoïde

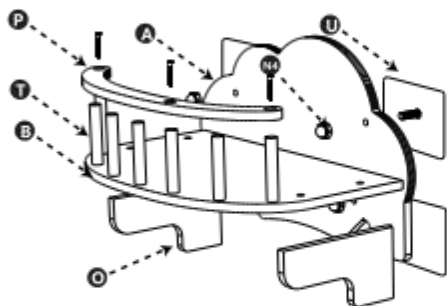


M4*70

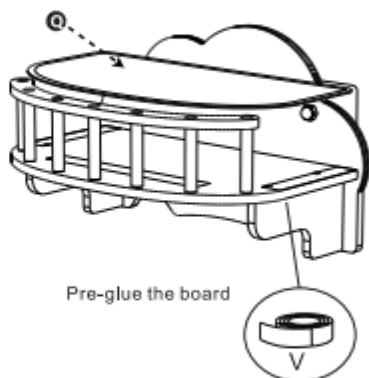


Assembly Instructions

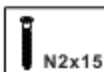
STEP 1



STEP 2

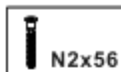
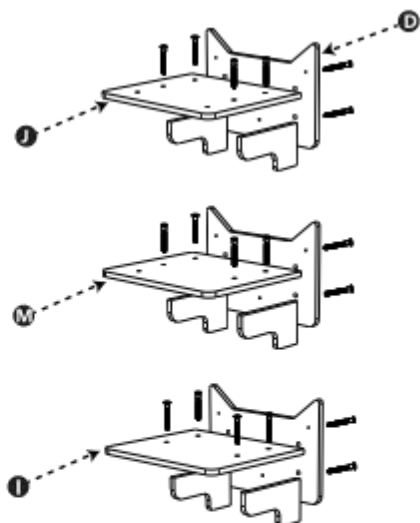
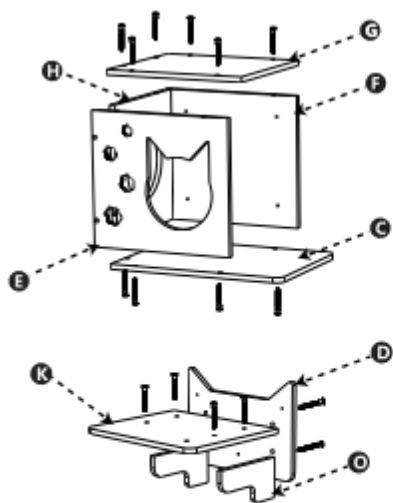


Pre-glue the board



Install the fence table as shown
(note that this part is mounted on the glass wall)

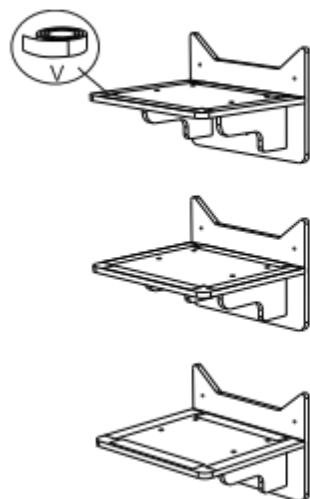
STEP 3



The picture shows a jumping platform and a cat's nest

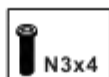
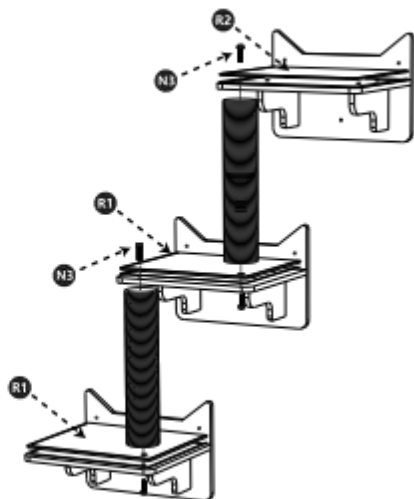
Assembly Instructions

STEP 4



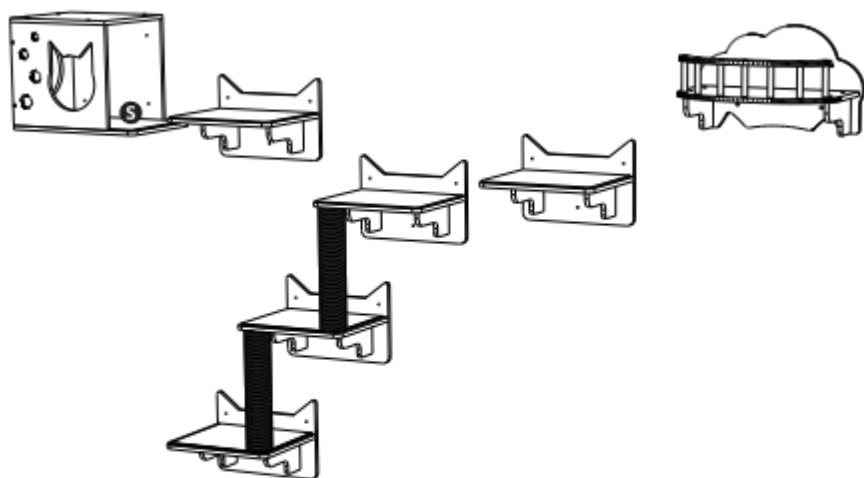
Put back glue on all four sides of the jumps

STEP 5



The jumping platform is fixed to the top ring and connected to the pole

STEP 6



All parts are nailed to the wall
(The installation distance of each component should be within 30cm)

Address: Shuangchenglu 803nong11hao1602A-1609shi, baoshanqu, shanghai 200000 CN.

Imported to AUS: SIHAO PTY LTD, 1 ROKEVA STREETEASTWOOD NSW 2122 Australia

Imported to USA: Sanven Technology Ltd.Suite 250, 9166 Anaheim Place, Rancho Cucamonga, CA 91730



E-CrossStu GmbH.

Mainzer Landstr.69, 60329 Frankfurt am Main.



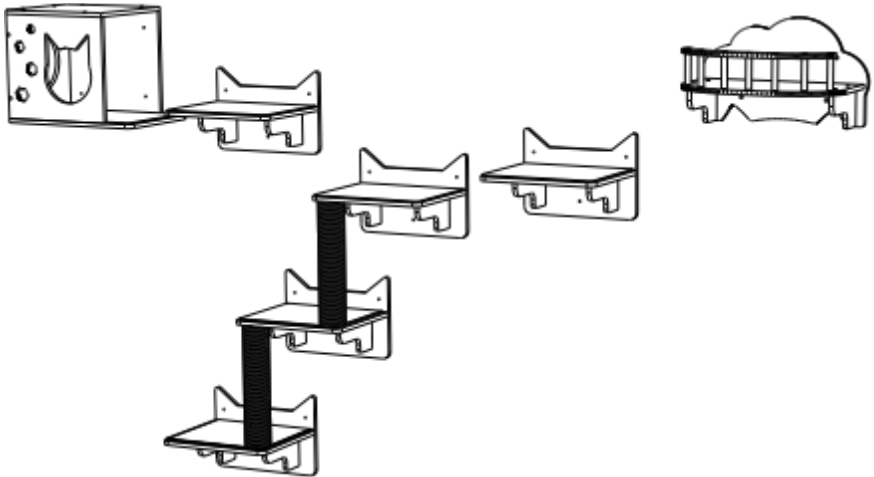
YH CONSULTING LIMITED.

C/O YH Consulting Limited Office 147, Centurion House,
London Road, Staines-upon-Thames, Surrey, TW18 4AX.

Gemonteerde kattenplank Ins tallatie Instructies

Mounted Cat Shelf

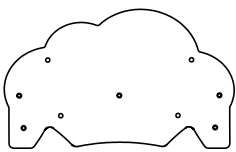
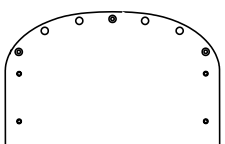
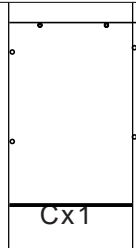
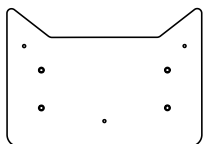
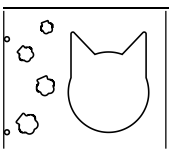
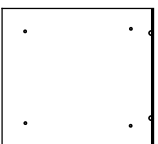
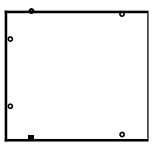
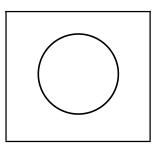
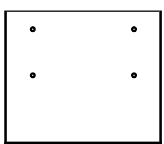
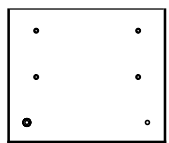
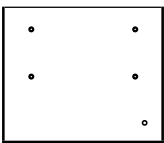
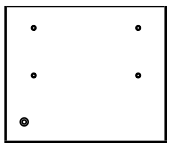
Model: SSGQK-02















SPECIFICATIES

Model	SSGQK-02
Kleur	Natuur

COMPONENTEN

 <p>Bijl 1</p>	 <p>Bx 1</p>	 <p>Cx1</p>
 <p>Dx 5</p>	 <p>Vb1</p>	 <p>Fx1</p>
 <p>Gx 1</p>	 <p>Hx 1</p>	 <p>lx 2</p>
 <p>Jx 1</p>	 <p>Kx 1</p>	 <p>Mx 1</p>
<p>*elk set producten is uitgerust met schroevendraaiers en sleutels</p>		

COMPONENTS

 <p>Nx2</p>	 <p>Ox12</p>	 <p>Px1</p>
<p>(M4*70) (M6*40)</p>  <p>N1x19 N2x71</p>	<p>(M8*35)</p>  <p>N3x4 N4x4</p>	 <p>Vx1</p>
 <p>T1x19 T2x19</p>	<p>(Loop-pile mat)</p>  <p>Qx1</p>	<p>(Loop-pile mat)</p>  <p>R1x2</p>
<p>(Loop-pile mat)</p>  <p>R2x3</p>	<p>(Plain velours)</p>  <p>Sx1</p>	 <p>Tx7 Ux4</p>
<p>* each set of products is equipped with screwdrivers and wrenches</p>		

Montage Instructies

TIPS :

1. De aantal schroeven mark d boven is de feitelijk nummer gebruikt tijdens installatie. wanneer de Product wordt verzonden , 1 ~3 meer schroeven van elke typ wil zijn gegeven als reserveonderdelen.
2. Tijdens de gebruik van de Product, kinderen Zijn verboden van nadert zonder de bedrijf van volwassenen .
3. De rand van de Product is A beetje scherp , jij ook behoefte handschoenen te dragen voor installatie; tegelijkertijd , het komt met schuurpapier, Dus jij kan Pools de rand opnieuw alleen; zonder handschoenen , wees voorzichtig wanneer ontroerend de loopwiel . 4. Draai de installatieschroeven niet vast onmiddelijk . Draai de installatie twee keer daarna schroeven alle schroeven zijn uitgelijnd
5. Het is aanbevolen dat twee of meer mensen installeren het apparaat



6. Alsjeblieft gebruik het volgende tools om te installeren



Rolmaat



schaar



Markeerstiftschroevendraaier



Elektrische boormachine



markeer de positie op de muur tegen de plaat, reserveer een afstand van ongeveer 30 cm tussen de springplatforms, boor lhte gat en begraaf de expansie -ionenbuis (A6 mm boor bit wordt gebruikt voor massieve muren en er is een gele expansiebuis ingebed ; een gmm-boor bit wordt gebruikt voor holle wanden en een vlinderexpansiebuis is ingebed)

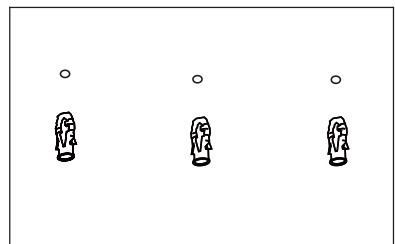
Uitbreidin
gssoleno
ide



Vlinder
solenoï
de

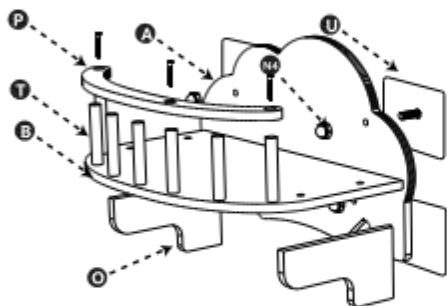


M4*70

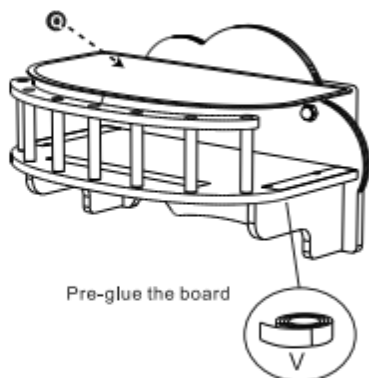


Assembly Instructions

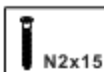
STEP 1



STEP 2

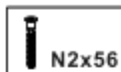
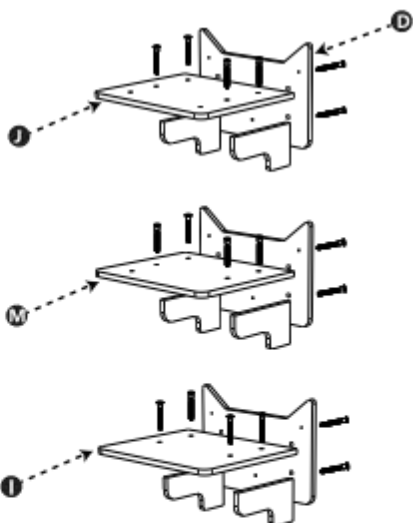
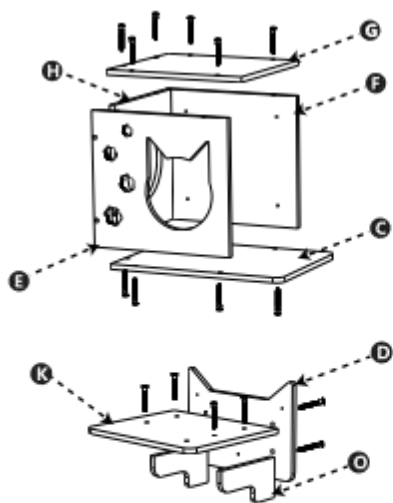


Pre-glue the board



Install the fence table as shown
(note that this part is mounted on the glass wall)

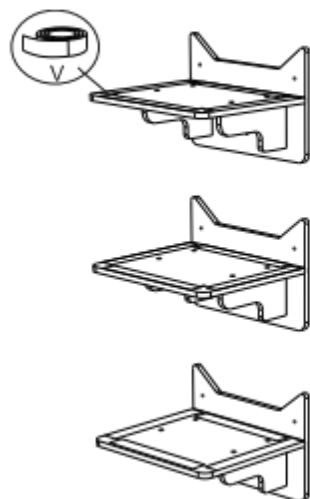
STEP 3



The picture shows a jumping platform and a cat's nest

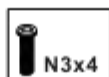
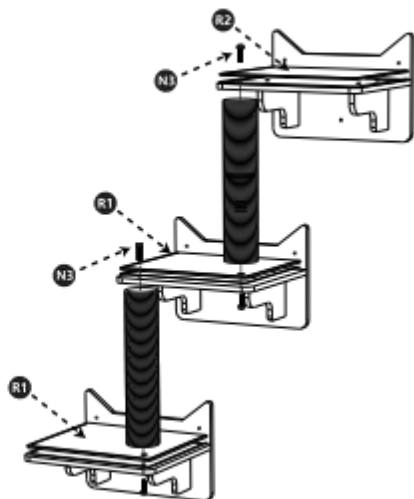
Assembly Instructions

STEP 4



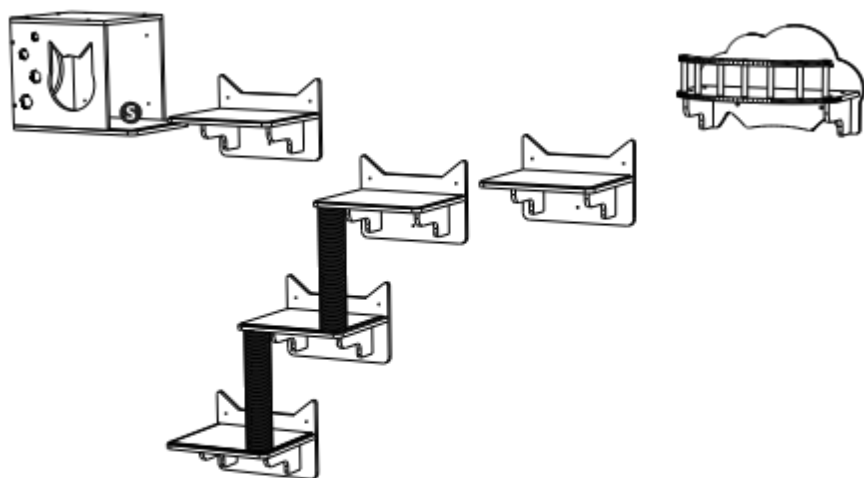
Put back glue on all four sides of the jumps

STEP 5



The jumping platform is fixed to the top ring and connected to the pole

STEP 6



All parts are nailed to the wall
(The installation distance of each component should be within 30cm)

Address: Shuangchenglu 803nong11hao1602A-1609shi, baoshanqu, shanghai 200000 CN.

Imported to AUS: SIHAO PTY LTD, 1 ROKEVA STREETEASTWOOD NSW 2122 Australia

Imported to USA: Sanven Technology Ltd.Suite 250, 9166 Anaheim Place, Rancho Cucamonga, CA 91730



E-CrossStu GmbH.

Mainzer Landstr.69, 60329 Frankfurt am Main.



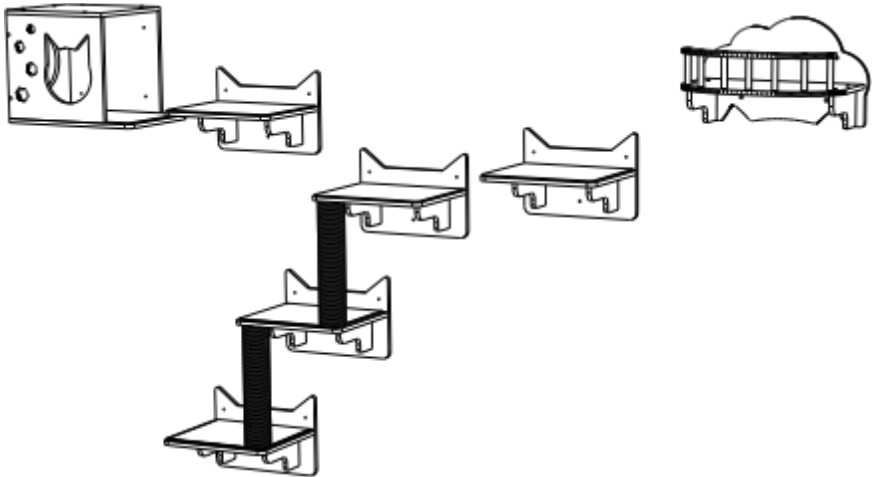
YH CONSULTING LIMITED.

C/O YH Consulting Limited Office 147, Centurion House,
London Road, Staines-upon-Thames, Surrey, TW18 4AX.

Monterad kathylla Installation Instruktioner

Mounted Cat Shelf

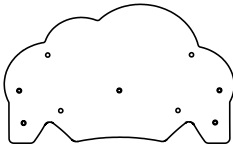
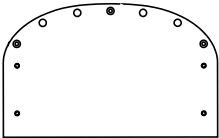

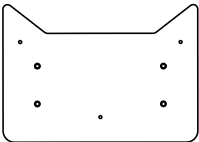
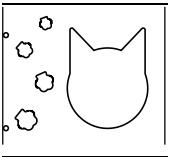
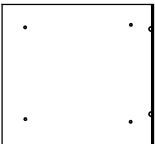
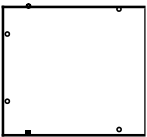
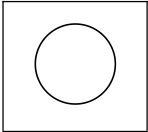
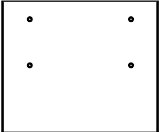
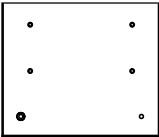
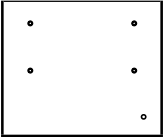
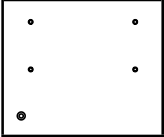
Modell: SSGQK-02















SPECIFIKATIONER

Modell	SSGQK-02
Färg	Natur

KOMPONENTER

 <p>Yxa 1</p>	 <p>Bx 1</p>	 <p>Cx1</p>
 <p>Dx 5</p>	 <p>Ex1</p>	 <p>Fx1</p>
 <p>Gx 1</p>	 <p>Hx 1</p>	 <p>lx 2</p>
 <p>Jx 1</p>	 <p>Kx 1</p>	 <p>Mx 1</p>
<p>*varje uppsättning produkt s är utrustad med skruvmejslar och skiftnycklar</p>		

COMPONENTS

 <p>Nx2</p>	 <p>Ox12</p>	 <p>Px1</p>
<p>(M4*70) (M6*40)</p>  <p>N1x19 N2x71</p>	<p>(M8*35)</p>  <p>N3x4 N4x4</p>	 <p>Vx1</p>
 <p>T1x19 T2x19</p>	<p>(Loop-pile mat)</p>  <p>Qx1</p>	<p>(Loop-pile mat)</p>  <p>R1x2</p>
<p>(Loop-pile mat)</p>  <p>R2x3</p>	<p>(Plain velours)</p>  <p>Sx1</p>	 <p>Tx7 Ux4</p>
<p>* each set of products is equipped with screwdrivers and wrenches</p>		

hopsättning Instruktioner

TIPS :

- 1 .De antal skruvar marke d ovan är faktisk nummer som används under installation. när de produkt skickas , 1 ~3 fler skruvar av varje typ kommer vara given som reservdelar.
2. Under de använda sig av av produkt, barn är förbjuden från närmar sig utan de företag av vuxna .
3. Kanten av produkt är a lite skarp, och du behöver att bära handskar för installation; på samma gång, det följer med sandpapper, Så du burk putsa kanten igen på egen hand; utan handskar, var försiktig när rörande de löphjul . 4 .
Dra inte åt installationsskruvarna genast . Dra åt installation skruvar två gånger efter alla skruvar är inriktade
5. Det rekommenderas att två eller fler människor installerar enheten



6 . snälla du Använd följande verktyg för att installera



Måttband



sax



Markör



Elektrisk bormaskin



markera positionen på väggen mot plattan, reservera ca 30 cm avstånd mellan de hoppa plattformar, borra lhte hål och gräv ner det expansiva jonröret (A6 mm borr bit används för solida väggar och ett gult expansionsrör är inbäddat ; en gmm borr bit används för hålväggar och fjärlsexpansionsrör är inbäddad)

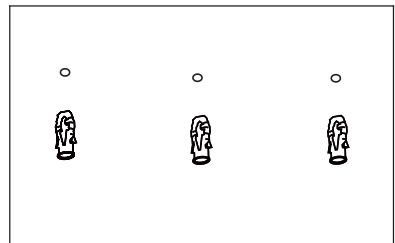
Expansion
ssolenoid



Fjärl
solenoid

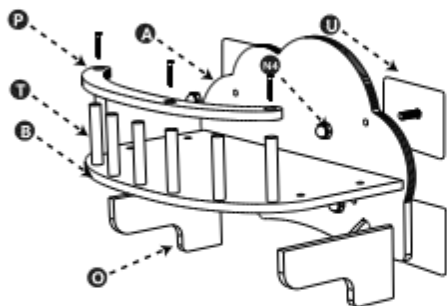


M4*70

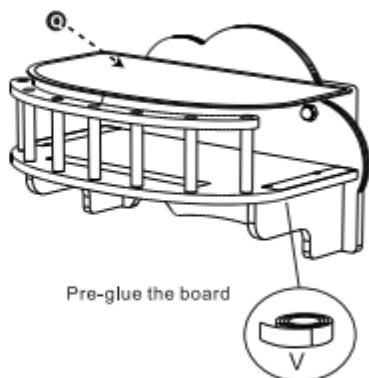


Assembly Instructions

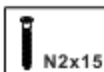
STEP 1



STEP 2

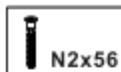
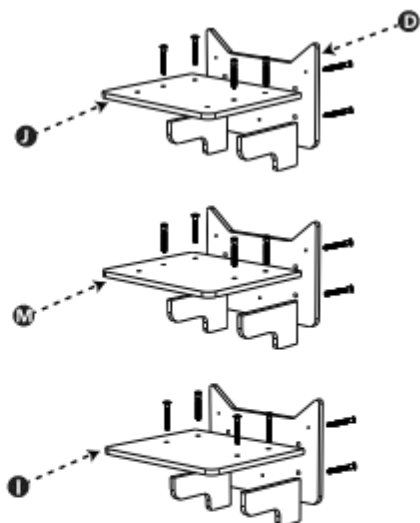
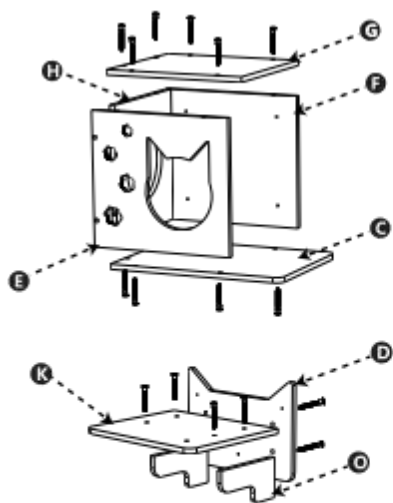


Pre-glue the board



Install the fence table as shown
(note that this part is mounted on the glass wall)

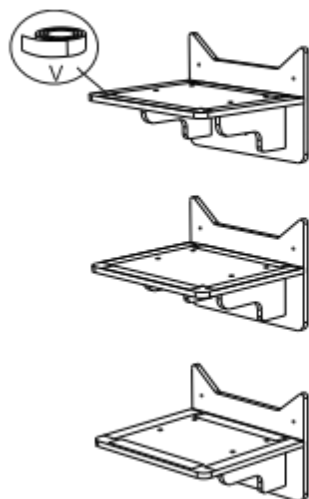
STEP 3



The picture shows a jumping platform and a cat's nest

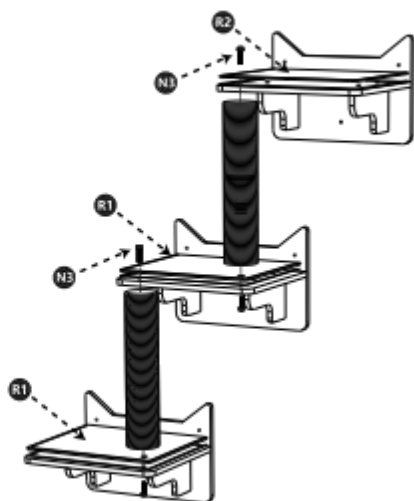
Assembly Instructions

STEP 4



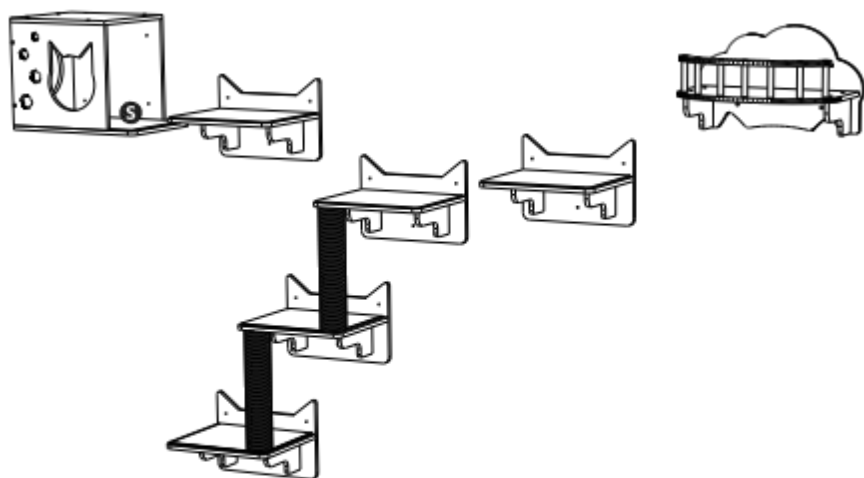
Put back glue on all four sides of the jumps

STEP 5



The jumping platform is fixed to the top ring and connected to the pole

STEP 6



All parts are nailed to the wall
(The installation distance of each component should be within 30cm)

Address: Shuangchenglu 803nong11hao1602A-1609shi, baoshanqu, shanghai 200000 CN.

Imported to AUS: SIHAO PTY LTD, 1 ROKEVA STREETEASTWOOD NSW 2122 Australia

Imported to USA: Sanven Technology Ltd.Suite 250, 9166 Anaheim Place, Rancho Cucamonga, CA 91730



E-CrossStu GmbH.

Mainzer Landstr.69, 60329 Frankfurt am Main.



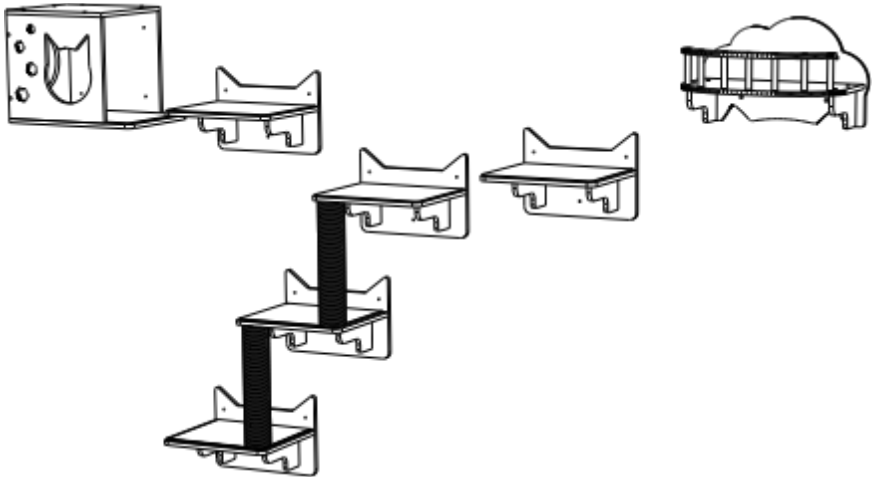
YH CONSULTING LIMITED.

C/O YH Consulting Limited Office 147, Centurion House,
London Road, Staines-upon-Thames, Surrey, TW18 4AX.

Estante para gatos montado Ins talación
Instrucciones

Mounted Cat Shelf

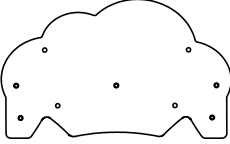
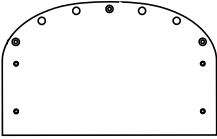
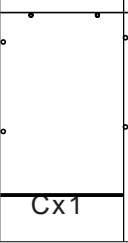
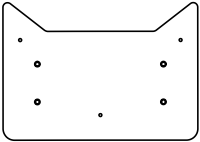
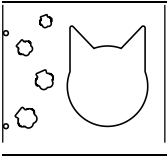


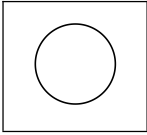
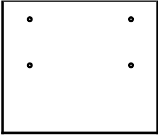
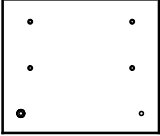
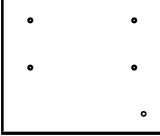
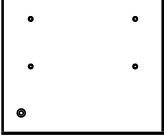
Modelo: SSGQK-02



















ESPECIFICACIONES

Modelo	SSGQK-02
Color	Naturaleza

COMPONENTES

 <p>Hacha 1</p>	 <p>caja 1</p>	 <p>Cx1</p>
 <p>dx 5</p>	 <p>Ej1</p>	 <p>Fx1</p>
 <p>Gx 1</p>	 <p>Hx 1</p>	 <p>lx 2</p>
 <p>Jx 1</p>	 <p>Kx 1</p>	 <p>mx 1</p>
<p>*cada conjunto de productos está equipado con destornilladores y llaves</p>		

COMPONENTS

 <p>Nx2</p>	 <p>Ox12</p>	 <p>Px1</p>
<p>(M4*70) (M6*40)</p>   <p>N1x19 N2x71</p>	<p>(M8*35)</p>   <p>N3x4 N4x4</p>	 <p>Vx1</p>
  <p>T1x19 T2x19</p>	<p>(Loop-pile mat)</p>  <p>Qx1</p>	<p>(Loop-pile mat)</p>  <p>R1x2</p>
<p>(Loop-pile mat)</p>  <p>R2x3</p>	<p>(Plain velours)</p>  <p>Sx1</p>	  <p>Tx7 Ux4</p>
<p>* each set of products is equipped with screwdrivers and wrenches</p>		

Asamblea Instrucciones

CONSEJOS :

- 1 .El número de tornillos marca d arriba es el actual numero usado durante instalación. cuando el producto se envía , 1 ~3 más tornillos de cada escriba voluntad ser dado como repuestos.
2. Durante el usar del producto, niños son prohibido de que se acerca sin el compañía de adultos .
3. El borde del producto es a poco afilado , y tú necesidad usar guantes para instalación; al mismo tiempo , viene con papel de lija, Vos tambien poder polaco el borde de nuevo por tí mismo; sin guantes , ten cuidado cuando conmovedor el rueda corriente .
- 4 . No apriete los tornillos de instalación. En seguida . Apriete el tornillos dos veces después todos los tornillos estan alineados
5. Se recomienda que dos o más personas instalan el dispositivo



- 6 . por favor usa lo siguiente herramientas para instalar



Cinta métrica



Tijeras



marque la posición en la pared contra la placa, reserve una distancia de aproximadamente 30 cm entre el plataformas de salto, taladro lhte agujero y enterrar el tubo de iones de expansión

(Taladro A6mm la broca se utiliza para paredes sólidas y se incrusta un tubo de expansión amarillo ; un taladro mmm La broca se utiliza para paredes huecas y un tubo de expansión de mariposa. es incorporado)

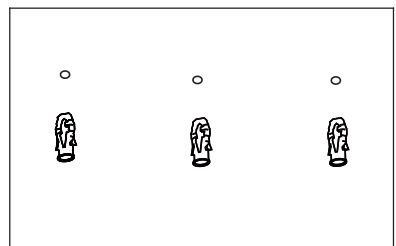
Solenoide de expansión



Maripos a solenoide

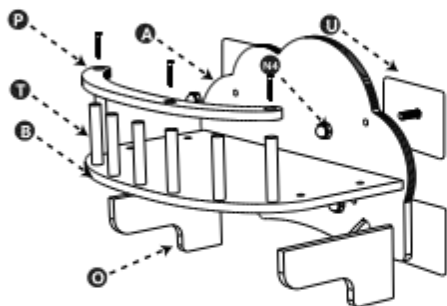


M4*70

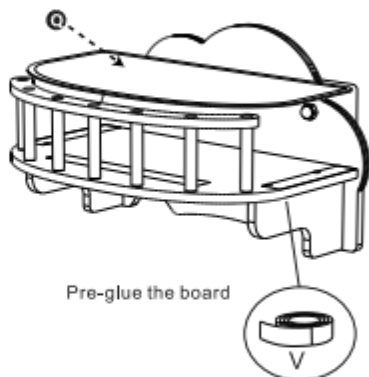


Assembly Instructions

STEP 1



STEP 2

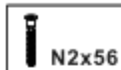
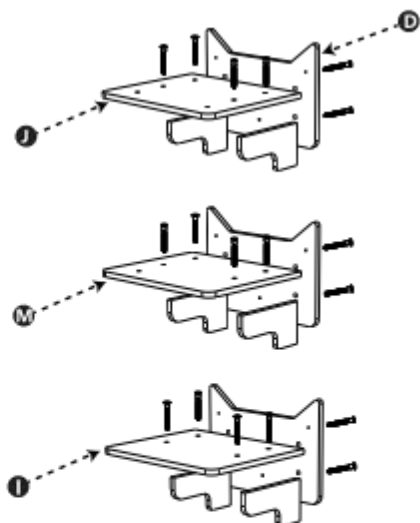
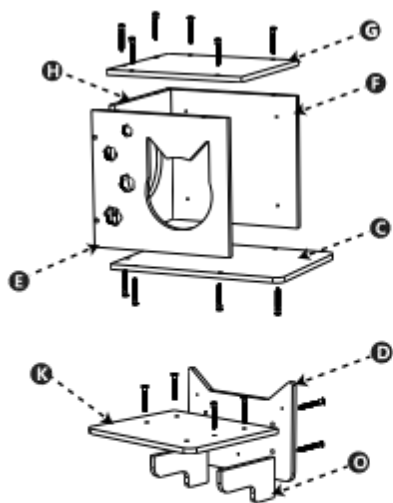


Pre-glue the board



Install the fence table as shown
(note that this part is mounted on the glass wall)

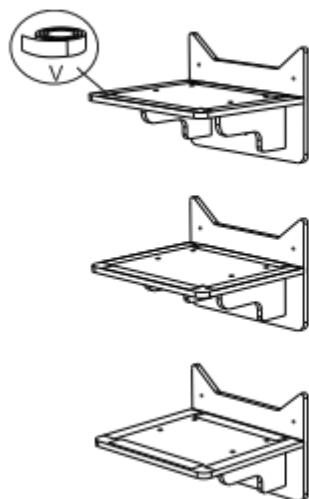
STEP 3



The picture shows a jumping platform and a cat's nest

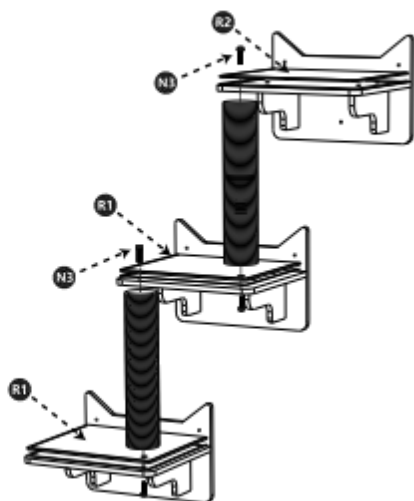
Assembly Instructions

STEP 4



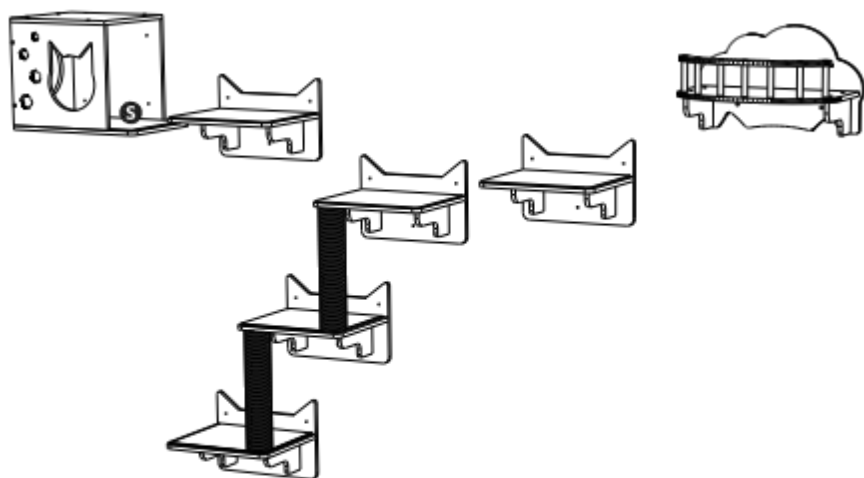
Put back glue on all four sides of the jumps

STEP 5



The jumping platform is fixed to the top ring and connected to the pole

STEP 6



All parts are nailed to the wall
(The installation distance of each component should be within 30cm)

Address: Shuangchenglu 803nong11hao1602A-1609shi, baoshanqu, shanghai 200000 CN.

Imported to AUS: SIHAO PTY LTD, 1 ROKEVA STREETEASTWOOD NSW 2122 Australia

Imported to USA: Sanven Technology Ltd.Suite 250, 9166 Anaheim Place, Rancho Cucamonga, CA 91730



E-CrossStu GmbH.

Mainzer Landstr.69, 60329 Frankfurt am Main.



YH CONSULTING LIMITED.

C/O YH Consulting Limited Office 147, Centurion House,
London Road, Staines-upon-Thames, Surrey, TW18 4AX.

