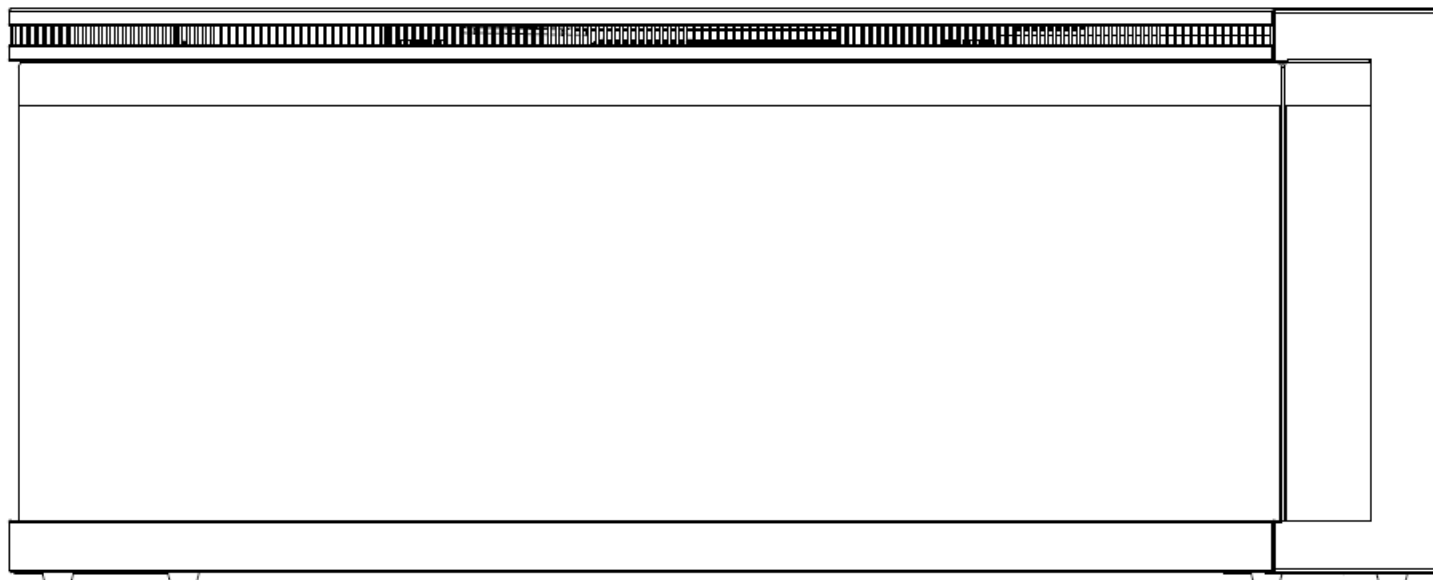


AFLAMO UNIQUE

OPERATION MANUAL



UNIQUE 107/127/153/166/183/254
Wall Mounted / Built-in Electric Fireplace

Polski s. 22
Deutsche S. 43
Italiano p. 64
Español p. 85
Français p. 106
Český s. 127
Slovenský s. 148
Nederlands blz. 169

AC 220V-240V 50Hz 1400-1600W

⚠ WARNING

Read and understand this entire owner's manual, including **all safety information**, before **plugging in** or **using** this product. Failure to do so could result in **fire, electric shock, or serious personal injury**.

⚠ CAUTION

Keep this owner's manual for future reference. If you sell or give this product away, **make sure this manual accompanies this product**.



IMPORTANT SAFETY INFORMATION!

WARNING

When using electrical appliances basic precautions should always be followed to reduce the risk of fire, electric shock and injury to persons, including the following:

- Read all instructions before using this heater.
- This heater is hot when in use. To avoid burning, do not touch hot surface. If provided, use handles when moving this heater. Keep combustible materials, such as furniture, pillows, bedding, papers, clothes, and curtains at least 1 m from the front of the heater and keep them away from the sides and rear. In order to avoid overheating, do not cover the heater.
- Extreme caution is necessary when any heater is used near children or the infirm and whenever the heater is left operating and unattended.
- Always unplug heater when not in use.
- Do not operate any heater with a damaged cord or plug or after the heater malfunctions, has been dropped damaged in any manner, return heater to authorized service facility for examination, electrical or mechanical adjustment, or repair.
- Indoor use only, do not use outdoors.
- This heater is not intended for use in bathrooms, laundry areas and similar indoor locations. Never locate heater where it may fall into a bathtub or other water container.
- Do not run cord under carpeting. Do not cover cord with throw rugs, runners, or similar coverings. Arrange cord away from traffic area and where it will not be tipped over.
- To disconnect heater, turn controls to off, then remove plug from outlet.
- Do not inset or allow foreign objects to enter any ventilation or exhaust opening as this may cause an electric shock or fire, or damage the heater.
- To prevent a possible fire, do not block air intakes or exhaust in any manner. Do not use on soft surfaces, like a bed, where openings may become blocked.
- A heater has hot and arcing or sparking parts inside. Do not use it in areas where gasoline, or flammable liquids are used or stored.
- Use this heater only as describes in this manual. Any other use not recommended by the manufacturer may cause fire, electric shock, or injury to persons.
- DANGER-HIGH Temperatures may be generated under certain abnormal conditions. Do not partially or fully cover or obstruct the front of this heater.
- Replacement of the lamps should be done only while the heater is disconnected from the supply circuit.
- This appliance is not intended for use by persons (including children) with reduced physical, sensory or capabilities, or lack of experience and knowledge, unless they have been given supervision or instruction concerning use of the appliance by a person responsible for their safety. Children should be supervised to ensure that they do not play with the appliance.
- CAUTION: In order to avoid a hazard due to inadvertent resetting of the thermal cut-out, this appliance must not be supplied through an external switching device, such as a timer, or connected to a circuit that is regularly switched on and off by the utility.

Preparation

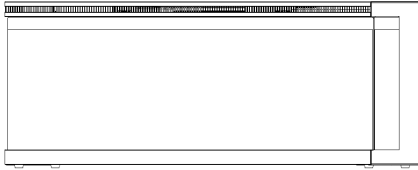



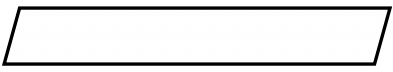

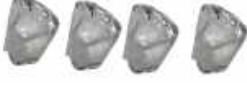


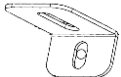


This product includes a **GLASS panel!** Always use **extreme caution** when handling **glass**. Failure to do so could result in **personal injury** or **property damage**.

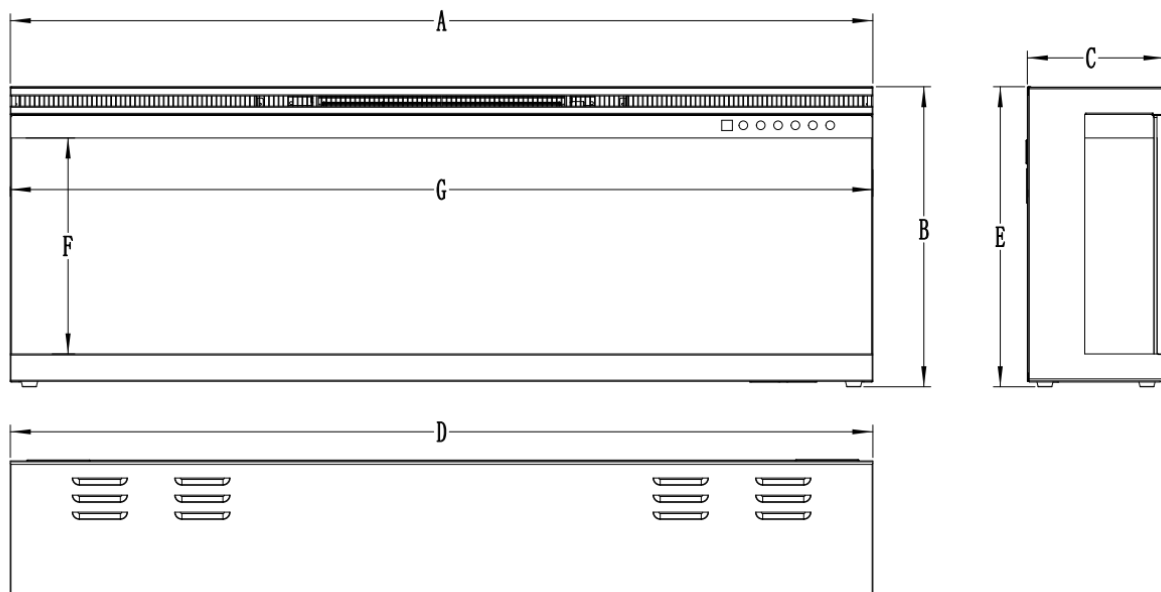
Remove all parts and hardware from the carton and place them on a clean, soft, dry surface. Parts and assembly steps are grouped for wall-hanging or recessing use. Check the parts list to make sure nothing is missing. Dispose of packaging materials properly. Please recycle whenever possible.

You will need the following tools (not included): Phillips screwdriver; stud finder; level; tape measure; electric drill; 1/4" wood drill bit, hammer.

Parts and Hardware

 <p>A – Fireplace</p>	  <p>B-Wood Screws C- Drywall anchors</p>			
	 <p>D-Remote Control</p>	 <p>E-Ember bed strip</p>		
 <p>F - Log-set</p>	 <p>G-Decorative Crystals - Large</p>	 <p>H-Decorative Crystals -Small</p>	 <p>I-Wall Bracket Fixed on back of firebox</p>	 <p>J- "L" bracket</p>

Specification and Dimension



PRODUCT DIMENSIONS (mm)

Model Number	A	B	C	D	E	F	G
UNIQUE 107	1067	440	200	1067	440	316	1065
UNIQUE 127	1262	440	200	1262	440	316	1260
UNIQUE 153	1524	440	200	1524	440	316	1522
UNIQUE 166	1650	440	200	1650	440	316	1648
UNIQUE 183	1828	440	200	1828	440	316	1826
UNIQUE 254	2540	440	200	2540	440	316	2538

Installation and Assembly

Your appliance is a wall-mounted, recessed appliance. Select a suitable location that is not susceptible to moisture and is away from drapes, furniture and high traffic areas.

NOTE: Follow all National and local electrical codes. The Electric fireplace comes with the power plug supplied, to switch to hard-wiring, please refer to hard-wiring installation section.

MINIMUM CLEARANCE TO COMBUSTIBLES

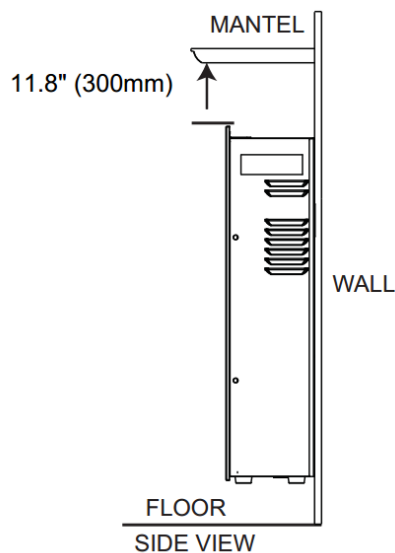
Measurements are taken from the glass front.

Bottom	0"	Top	11.8" (300mm) to mantel
Sides	0"	Top	11.8" (300mm) to ceiling
Back	0"		

MINIMUM MANTEL CLEARANCES

WARNING

WHEN USING PAINT OR LACQUER TO FINISH THE MANTEL, THE PAINT OR LACQUER MUST BE HEAT RESISTANT TO PREVENT DISCOLOURATION.



Hard wiring installation for wall recessed

WARNING

TURN OFF THE APPLIANCE COMPLETELY AND LET COOL BEFORE SERVICING. ONLY A QUALIFIED SERVICE PERSON SHOULD SERVICE AND REPAIR THIS ELECTRIC APPLIANCE.

HARD WIRING CONNECTION

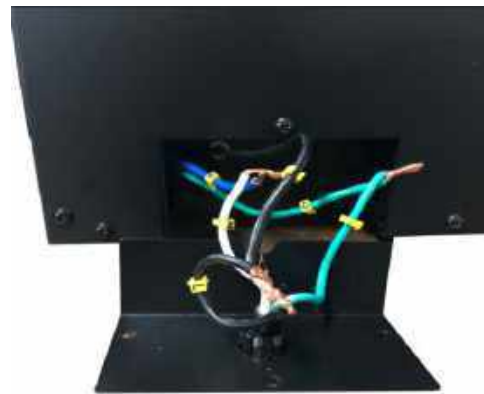
If it is necessary to hard wire this appliance, a qualified electrician must remove the cord connection and wire the appliance directly to the household wiring. **NOTE: A dedicated 15 Amp (or higher) breaker is required.**

This appliance must be electrically connected and grounded in accordance with local codes if hard wired. In the absence of local codes, use the current NATIONAL ELECTRICAL CODE in the Europe.

Fig.A



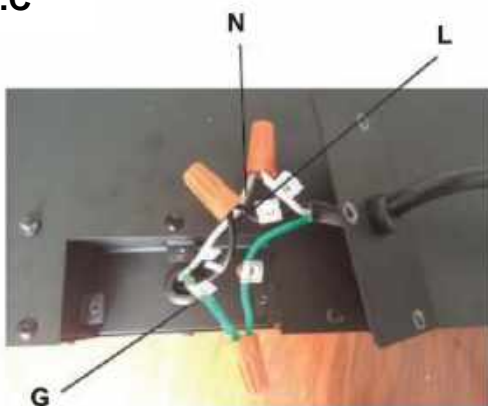
Fig.B



TURN OFF POWER FROM CIRCUIT BRACKER FIRST

- Remove the cover plate from the right side bottom of the appliance by removing the three screws, as shown above. (SEE FIG.A)
- Remove the wire connectors from the power cord. The power cord may be discarded. (SEE FIG.B)
- Take the new cover plate supplied in the hardware bag and punch out the 7/8" (22.2mm) hole. And install box connector through hole in cover plate. Feed wires through box connector.
- Using the wire connectors, connect the green ground wires (G), the common white wires (N) together, then the hot black wires (L), (SEE FIG.C)
- Re-install the cover plate using the three screws, as shown in FIG.4-1.

Fig.C



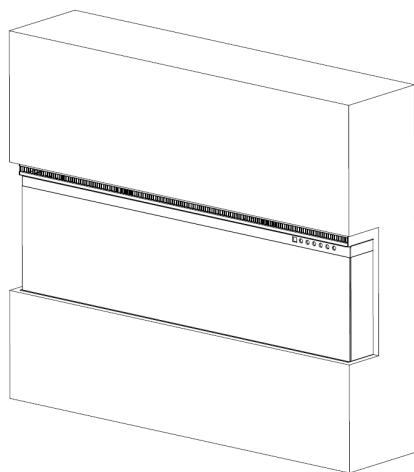
Box connector



Cover Plate

Installation Overview

Your appliance facilitates three different installation configurations: **three-sided**, **two-sided**, and **single-sided**.

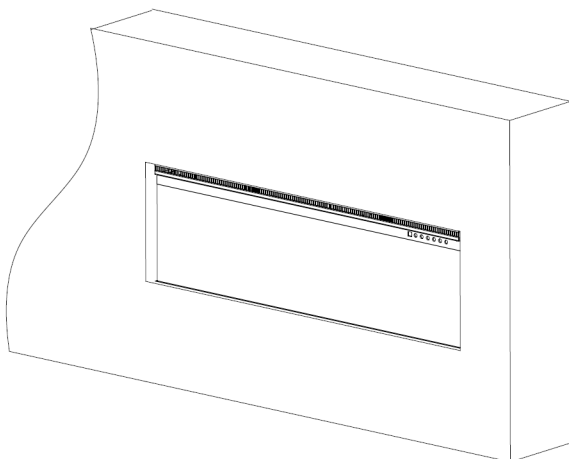
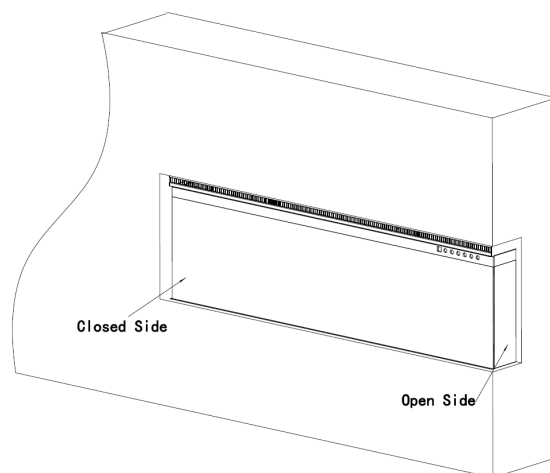


Three-sided installation

- Glass exposed on front, left, AND right sides.
- Appliance is fully recessed into the wall with both sides open.

Two-sided installation

- Glass exposed on front AND left OR right sides.
- Appliance is fully recessed into the wall with one side open.

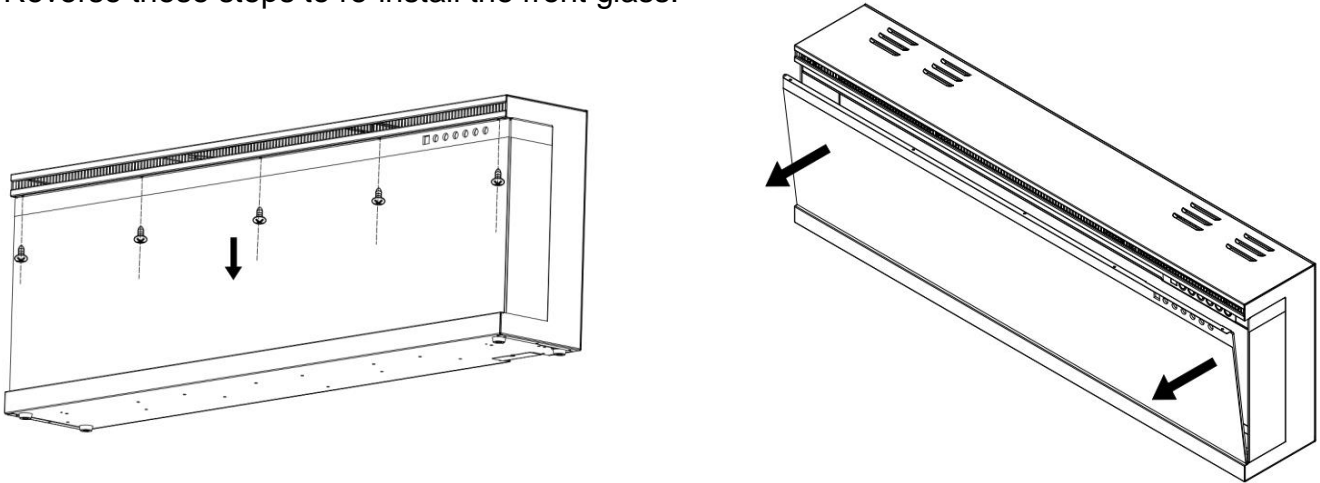


Single-sided installation

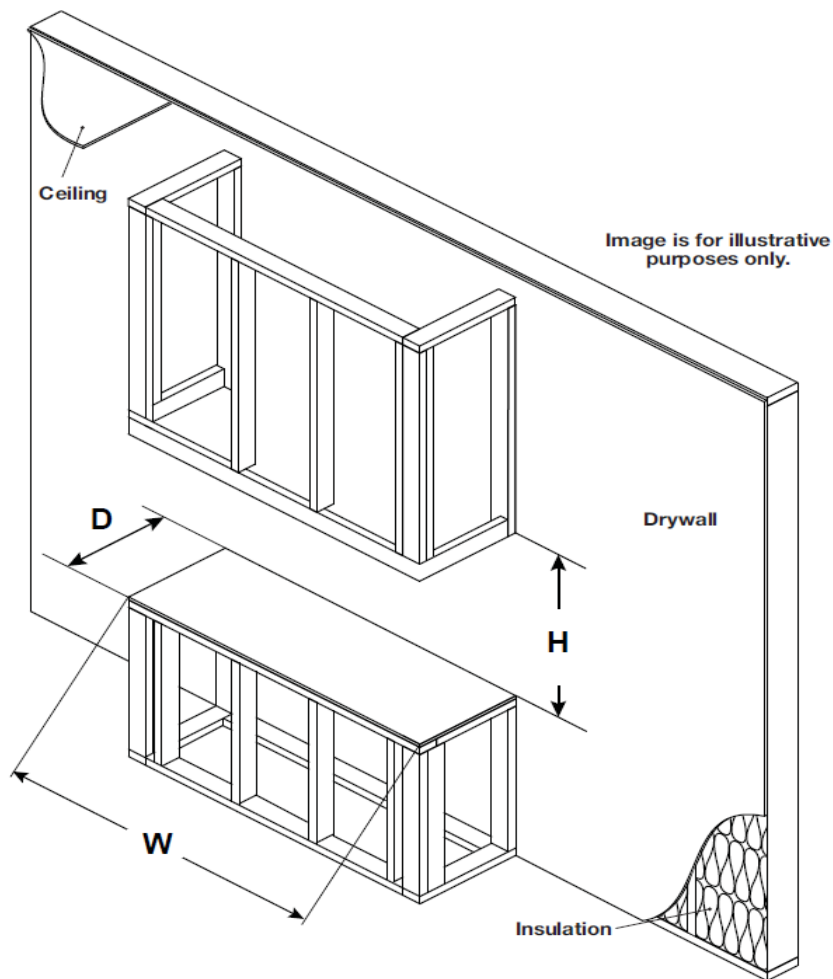
- Glass exposed on front ONLY.
- Appliance is fully recessed into the wall.

Front Glass Installation / Removal

- Take off all screws from the top the glass panel.
- Tilt the front glass forwards, and have two people to move out the glass panel.
- Reverse these steps to re-install the front glass.



Installation / Rough Framing



NOTE: Install the fireplace in such a way that, in the event of a failure, it can be removed from the wall for service purposes.

Model Number	W	D	H
UNIQUE 107	1067 (mm)	210 (mm)	443 (mm)
UNIQUE 127	1262 (mm)	210 (mm)	443 (mm)
UNIQUE 153	1524 (mm)	210 (mm)	443 (mm)
UNIQUE 166	1650 (mm)	210 (mm)	443 (mm)
UNIQUE 183	1828 (mm)	210 (mm)	443 (mm)
UNIQUE 254	2540 (mm)	210 (mm)	443 (mm)

Note:

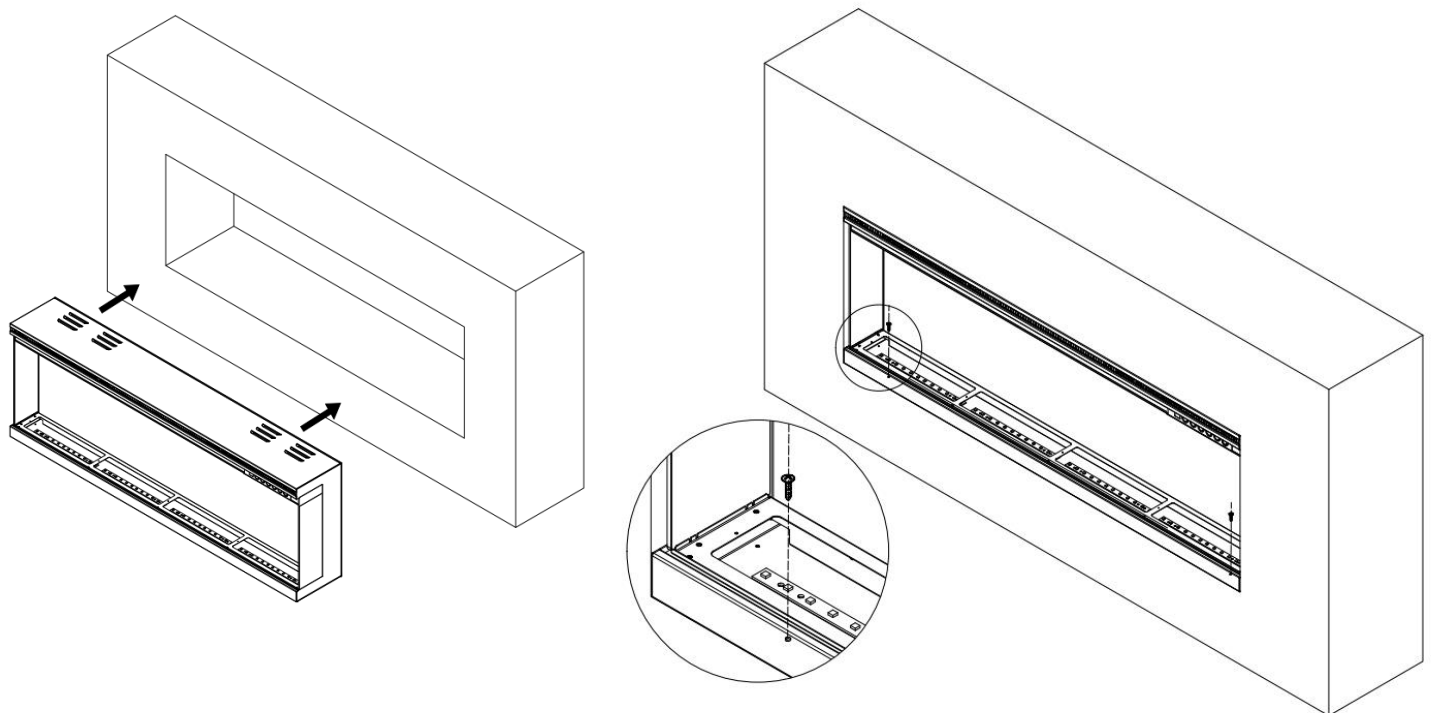
Appliance is NOT load-bearing. Carefully consider weight of finishing materials when constructing rough framing.

Ensure installation complies with all local building codes and requirements.

All viewing options (single-sided, two-sided [left or right], and three-sided) use the same framing dimensions.

Note:

When installed fully recessed into the wall, please fix the fireplace with supplied short wood screws (B) **under the ember bed**. see below illustration



Wall Mounted Installation

Due to the many different materials used on different walls, it is highly recommended that you consult your local builder before you install this appliance on the wall.

A. Select a location that is not prone to moisture and is located at least 36" (914mm) away from combustible materials such as curtain drapes, furniture, bedding, paper, etc.

B. Have two people hold the appliance against the wall to determine the final location.

C. Place unit face down on a soft, non abrasive surface. Remove the bracket from the back of the unit by removing the screws, refer to below figure

D. Mark out location, then mount the bracket(s) onto the wall using the supplied screws. This bracket

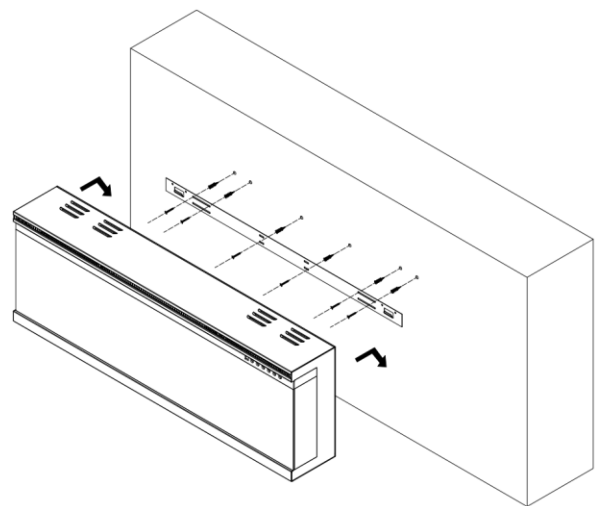
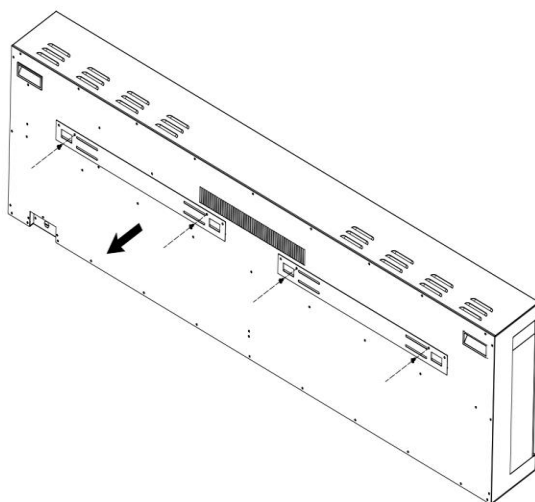
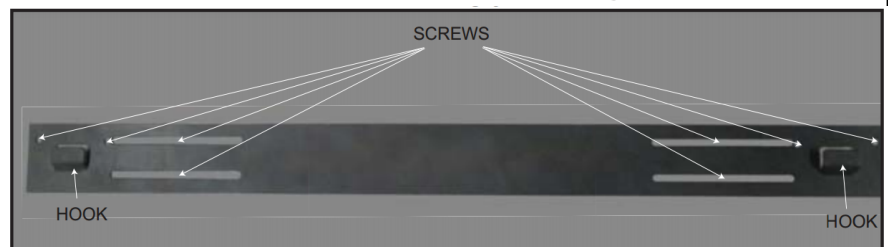
MUST have the hooks facing upward and be level. **NOTE: It is strongly**

recommended that the mounting bracket (I) be Screwed into the wall studs Where possible. If the wall Studs cannot be used, ensure

That the supplied plastic anchors are used to affix the bracket to the wall and the bracket is adequately secured.

E. With the wall mounting bracket installed have two people lift the appliance up and insert the two hooks on the bracket into the two slots on the back of the appliance.

F. Check the appliance for stability ensuring that the bracket will not pull free from the wall.



UNIQUE 183 Wall Bracket Illustrated

“L” Shape bracket installation

A. Remove the silver screw at the bottom of the appliance. **(Fig 1-1)**. Set the screw aside.

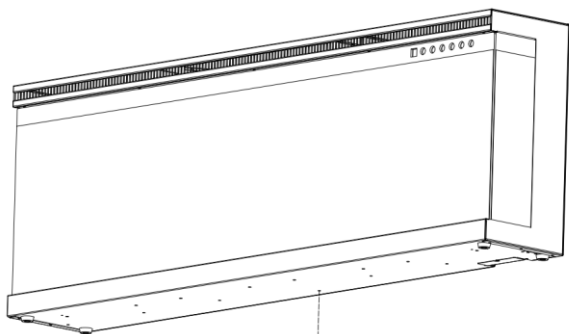


Fig 1-1

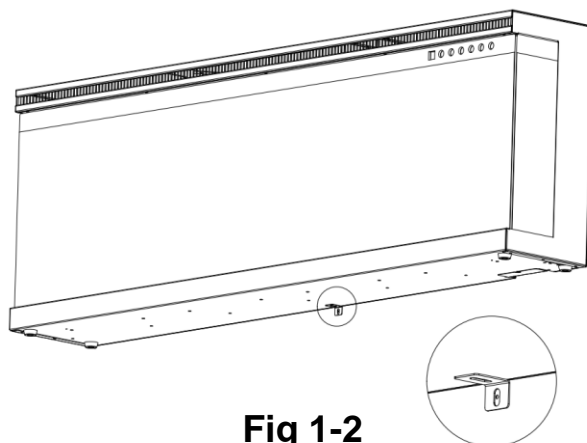


Fig 1-2

B. Using the screw previously removed, attached the L-bracket **(J)** to the bottom of the fireplace box. **(Fig 1-2)**

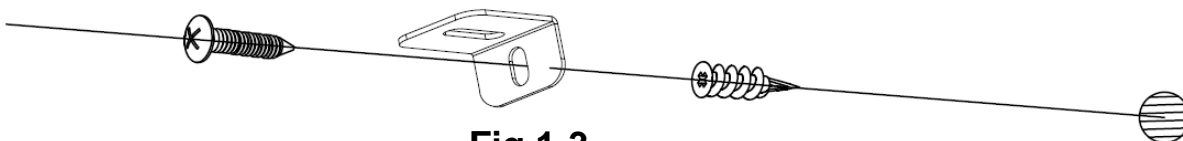


Fig 1-3

C. Install the plastic anchor **(C)** into the dry wall, then install the longer screw **(B)** (supplied) into the hole of the L-bracket into the wall anchor to secure the fireplace from coming off the wall. **(Fig 1-3)**

Log-set / Crystals Installation

(NOTE: Please make the installation according to the embers which you liking.)

- A. Glass front must be removed and the appliance must be mounted in its final location before the ember media are installed.
- B. Place the ember-bed strip (E) in position with the matte surface facing upwards. Carefully place the small crystal embers (H) into the bottom tray on the front of the appliance as illustrated. Apply an even layer from side to side. **Fig. 2-1, Fig. 2-2**
- C. Randomly place the large crystal embers (G) on top of the small crystals embers. **Fig. 2-3.**

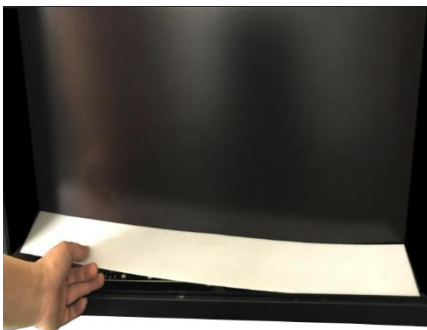


Figure 2-1.



Figure 2-2.



Figure 2-3.

Optional one piece Log-set installation

Carefully place the wood log-set (F) into the designed ember slot **Fig.3**



Log-set (Figure 3.)

Operation



Read and understand this entire owner's manual, including **all safety information**, before plugging in or using this product. Failure to do so could result in **electric shock, fire, serious injury, or death.**

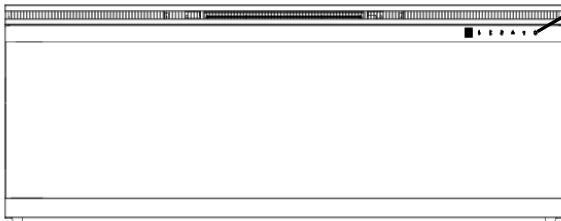
Power

Plug the power cord into a AC 220-240 Volt outlet (see **IMPORTANT SAFETY INFORMATION** on **Pages 2 and 3**). Make sure the outlet is in good condition and that the plug is not loose. **NEVER** exceed the maximum amperage for the circuit. **DO NOT** plug other appliances into the same circuit.

Methods of Operation

This electric fireplace can be operated by the TOUCHN ON CONTROL PANEL, or by the battery-powered REMOTE CONTROL.





Before operating, please review the **IMPORTANT SAFETY INFORMATION** on **Pages 2 and 3**, and heed all warnings.



Touch Panel


Touch Control Panel Operation







BUTTON	FUNCTION	ACTION & INDICATION																																																				
 POWER	ON: Enables control panel functions and remote control. Turns on flame effect. OFF: Disables control panel functions and remote control. Turns off flame effect.	<ol style="list-style-type: none"> Press once. Indicator light turns on. Power turns on. All functions enabled. Press again. Flame effect turns off. Unit goes to standby. All functions turn off. 																																																				
 TEMP	<ol style="list-style-type: none"> Press once: Touch panel indicator becomes active. Press again until desired setting is reached. Digital display shows setting circles as below. <table border="1" style="width: 100%; text-align: center;"> <thead> <tr> <th>NO</th> <th>0</th> <th>1</th> <th>2</th> <th>3</th> <th>4</th> <th>5</th> <th>6</th> <th>7</th> <th>8</th> <th>9</th> <th>10</th> <th>N</th> </tr> </thead> <tbody> <tr> <td>°C</td> <td>20</td> <td>21</td> <td>22</td> <td>23</td> <td>24</td> <td>25</td> <td>26</td> <td>27</td> <td>28</td> <td>29</td> <td>30</td> <td>C</td> </tr> <tr> <td>°F</td> <td>68</td> <td>70</td> <td>72</td> <td>74</td> <td>76</td> <td>78</td> <td>80</td> <td>82</td> <td>84</td> <td>86</td> <td>88</td> <td>F</td> </tr> <tr> <td></td> <td>69</td> <td>71</td> <td>73</td> <td>75</td> <td>77</td> <td>79</td> <td>81</td> <td>83</td> <td>85</td> <td>87</td> <td></td> <td></td> </tr> </tbody> </table>	NO	0	1	2	3	4	5	6	7	8	9	10	N	°C	20	21	22	23	24	25	26	27	28	29	30	C	°F	68	70	72	74	76	78	80	82	84	86	88	F		69	71	73	75	77	79	81	83	85	87			<p>NOTE: Press the button for 5 seconds to switch between ° C and ° F</p>
NO	0	1	2	3	4	5	6	7	8	9	10	N																																										
°C	20	21	22	23	24	25	26	27	28	29	30	C																																										
°F	68	70	72	74	76	78	80	82	84	86	88	F																																										
	69	71	73	75	77	79	81	83	85	87																																												


 TIMER	<p>TIMER button: Controls timer settings to turn off fireplace at selected time.</p> <p>Settings range from 0.5 hours to 8 hours.</p>	<ol style="list-style-type: none"> Press once. Indicator light turns on. Timer is set to 0.5 hours. Press again until desired setting is reached. Indicator lights show setting.
 HEATER	<p>HEATER button: Turns heater on and off.</p> <p>NOTE: To prevent overheating, the heater fan will blow cool air for 8-10 seconds before the heater turns on, and after the heater turns off.</p>	<ol style="list-style-type: none"> Press once. Indicator lights up. Fan blows cool air for 10 seconds. 750W heater turns on and blows warm air. Press again. Indicator lights up. 1500W heater turns on and blows hot air. Press again. Heaters turn off. The fan blows cool air for 10 seconds to allow heater to cool down, then turns off.
 FLAME COLOR	<p>Flame color button: Makes the color flame effect changing.</p> <p>NOTE: color effect stays on until power button is turned off. Color flame effect must be on for heater to turn on.</p> <p>NOTE: this fireplace is with memory function for flame.</p>	<ol style="list-style-type: none"> Press once. Flame color effect gets changing. Press again until desired setting is reached. In total 6 colors for flame.
 FLAME BRIGHTNESS	<p>FLAME button: Makes flame effect dimmer and brighter.</p> <p>NOTE: Flame effect stays on until power button is turned off. Flame effect must be on for heater to turn on.</p>	<ol style="list-style-type: none"> Press once. Indicator light turns on. Flame brightness effect gets changing. Press again. until desired setting is reached.



Remote Control Operation

BUTTON	FUNCTION	ACTION & INDICATION
 POWER	<p>ON: Enables control panel functions and remote control. Turns on flame effect.</p> <p>OFF: Disables control panel functions and remote control. Turns off flame effect.</p>	<ol style="list-style-type: none"> Press once. Indicator light turns on. Power turns on. All functions enabled. Press again. Flame effect turns off. Unit goes to standby. All functions turn off.

 TEMP	<p>1. Press once: Touch panel indicator becomes active.</p> <p>2. Press again until desired setting is reached. Digital display shows setting circles as belows.</p> <table border="1" data-bbox="272 275 1507 443"> <tr> <td>NO</td><td>0</td><td>1</td><td>2</td><td>3</td><td>4</td><td>5</td><td>6</td><td>7</td><td>8</td><td>9</td><td>10</td><td>N</td> </tr> <tr> <td>°C</td><td>20</td><td>21</td><td>22</td><td>23</td><td>24</td><td>25</td><td>26</td><td>27</td><td>28</td><td>29</td><td>30</td><td>C</td> </tr> <tr> <td>°F</td><td>68</td><td>70</td><td>72</td><td>74</td><td>76</td><td>78</td><td>80</td><td>82</td><td>84</td><td>86</td><td>88</td><td>F</td> </tr> <tr> <td></td><td>69</td><td>71</td><td>73</td><td>75</td><td>77</td><td>79</td><td>81</td><td>83</td><td>85</td><td>87</td><td></td><td></td> </tr> </table> <p>NOTE: Press the button for 5 seconds to switch between ° C and ° F</p>		NO	0	1	2	3	4	5	6	7	8	9	10	N	°C	20	21	22	23	24	25	26	27	28	29	30	C	°F	68	70	72	74	76	78	80	82	84	86	88	F		69	71	73	75	77	79	81	83	85	87		
NO	0	1	2	3	4	5	6	7	8	9	10	N																																										
°C	20	21	22	23	24	25	26	27	28	29	30	C																																										
°F	68	70	72	74	76	78	80	82	84	86	88	F																																										
	69	71	73	75	77	79	81	83	85	87																																												
 TIMER	<p>TIMER button: Controls timer settings to turn off fireplace at selected time.</p> <p>Settings range from 0.5 hours to 8 hours.</p>	<p>1. Press once. Indicator light turns on. Timer is set to 0.5 hours.</p> <p>2. Press again until desired setting is reached. Indicator lights show setting.</p>																																																				
 SPEED	<p>Flame speed button: Controls the speed of the flame. There are 3 flame speed settings: 01 (slowest), 02 (Medium), 03 (fastest).</p>	<p>1. Press once. Flame speed gets changing.</p> <p>2. Press again until desired setting is reached. Display shows the setting.</p> <p>The Default setting is 03 (fastest speed)</p>																																																				
 FLAME COLOR	<p>Flame color button: Makes the color flame effect changing.</p> <p>NOTE: color effect stays on until power button is turned off. Color flame effect must be on for heater to turn on.</p> <p>NOTE: this fireplace is with memory function for flame.</p>	<p>3. Press once. Flame color effect gets changing.</p> <p>4. Press again until desired setting is reached. In total 6 colors for flame.</p>																																																				
 FLAME BRIGHTNESS	<p>FLAME button: Makes flame effect dimmer and brighter.</p> <p>NOTE: Flame effect stays on until power button is turned off. Flame effect must be on for heater to turn on.</p>	<p>3. Press once. Indicator light turns on. Flame brightness effect gets changing.</p> <p>4. Press again. until desired setting is reached.</p>																																																				
 EMBER LIGHTS	<p>LED Ember light button: Makes the color on bottom effect gets changing.</p> <p>NOTE: Ember color effect stays on until power button is turned off.</p> <p>NOTE: this fireplace is with memory function for LED ember lights.</p>	<p>1. Press once. LED ember light color effect gets changing.</p> <p>2. Press again until desired setting is reached. In total 10 colors for EMBER.</p> <p>3. Auto-cycle function: When pressing with the 11th time, the LED ember light will do auto-cycling (NOTE: It will take 15 seconds to switch between colors.)</p>																																																				

 <p>EMBER BRIGHTNESS</p>	<p>LED Ember light brightness button: Makes the LED ember lights on bottom effect gets changing.</p> <p>NOTE: LED Ember light brightness effect stays on until power button is turned off.</p>	<ol style="list-style-type: none"> Press once. LED ember light color effect gets changing. Press again until desired setting is reached. In total 5 levels. <p>From L1 - L2 - L3 - L4 - L5-L0 (OFF)</p>
--	--	--

NOTICE When the heater is first turned on, a slight odor may be present. This is normal and should not occur again unless the heater is not used for a long period of time.

NOTICE To improve operation, **aim** the remote control at the front of the fireplace. **DO NOT press the buttons too quickly.** Give the unit time to respond to each command.


Temperature Limiting Control

This heater is equipped with a Temperature Limiting Control. Should the heater reach an unsafe temperature, the heater will automatically turn OFF. To reset:

1. Unplug the power cord from the outlet.
2. Turn the ON/OFF switch on the CONTROL PANEL to OFF. **Wait 5 minutes.**
3. Inspect the fireplace to make sure no vents are blocked, or clogged with dust or lint. If they are, use a vacuum to clean the vent areas.
4. With the POWER switch in the OFF position, plug the power cord back into the outlet.
5. If the problem continues, have your outlet and wiring inspected by a professional.


Remote Control Battery Information


- Remote control uses one **CR2025** battery (**Included**)

 **NEVER** dispose of batteries in **fire**. Failure to observe this precaution **may result in an explosion**. Dispose of batteries at your local hazardous material processing center.

Care and Maintenance

Cleaning

 **ALWAYS** turn the heater **OFF** and **unplug the power cord from the outlet** before cleaning, performing maintenance, or moving this fireplace. Failure to do so could result in **electric shock, fire, or personal injury**.

 **NEVER** immerse in **water** or **spray with water**. Doing so could result in **electric shock, fire, or personal injury**.

Metal:

- Buff using a soft cloth, slightly dampened with a citrus oil-based product.
- **DO NOT** use brass polish or household cleaners as these products will damage the metal trim.

Glass:

- Use a good quality glass cleaner sprayed onto the cloth or towel. Dry thoroughly with a paper towel or lint-free cloth.
- **NEVER** use abrasive cleansers, liquid sprays, or any cleaner that could scratch the surface.

Vents:

- Use a vacuum or duster to remove dust and dirt from the heater and vent areas.

Plastic:

- Wipe gently with a slightly damp cloth and a mild solution of dish soap and warm water.
- **NEVER** use abrasive cleansers, liquid sprays, or any cleaner that could scratch the surface.

Maintenance



Risk of electric shock! DO NOT OPEN any panels ! No user-serviceable parts inside!



ALWAYS turn the heater **OFF** and **unplug the power cord from the outlet** before cleaning, performing maintenance, or moving this fireplace. Failure to do so could result in **electric shock, fire, or personal injury.**

Electrical and Moving Parts:

- The fan motors are lubricated at the factory and will not require lubrication.
- Electrical components are integrated in the fireplace and are not serviceable by the consumer.

Storage:

- Store heater in a clean dry place when not in use.



WARNING! NO SERVICING of the internal or electrical parts should be performed by the consumer. Do not service the unit yourself.



WEEE:

Meaning of crossed –out wheeled dustbin:

Do not dispose of electrical appliances as unsorted municipal waste, use separate collection facilities. Contact you local government for information regarding the collection systems available. If electrical appliances are disposed of in landfills or dumps, hazardous substances can leak into the groundwater and get into the food chain, damaging your health and well-being.

When replacing old appliances with new ones, the retailer is legally obligated to take back your old appliance for disposals at least free of charge.

APP Connecting Instruction

1. App download

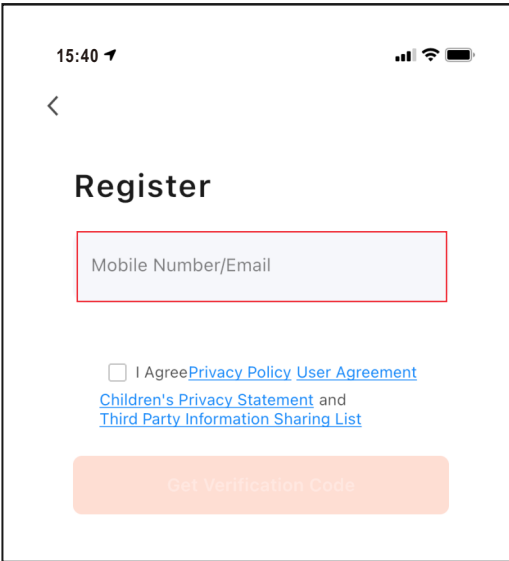
- Download "Tuya Smart" from the app store.
- Scan the QR code.
- Turn on the "GPS" from your mobile device.



Note: make sure your mobile phone is well connected to the nearest WIFI signal.

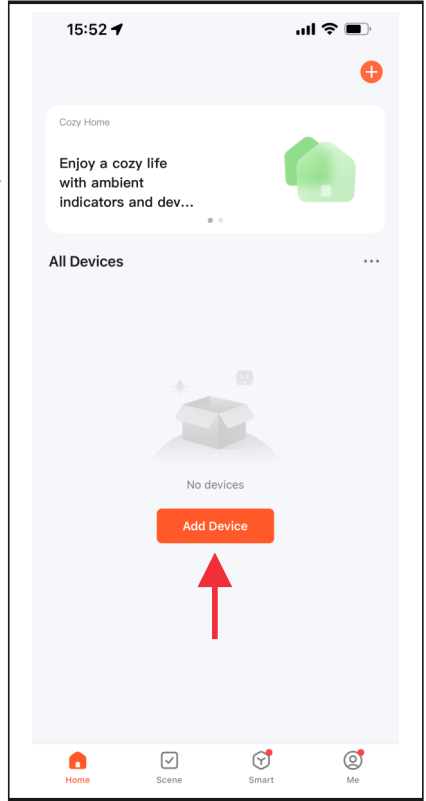
2. Login

- Register with your email ID or Mobile phone number as the user name.
- Setup your account password.



3. Add device

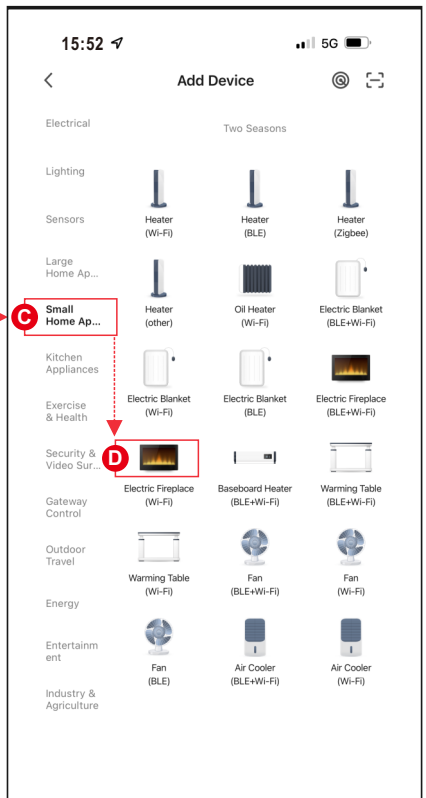
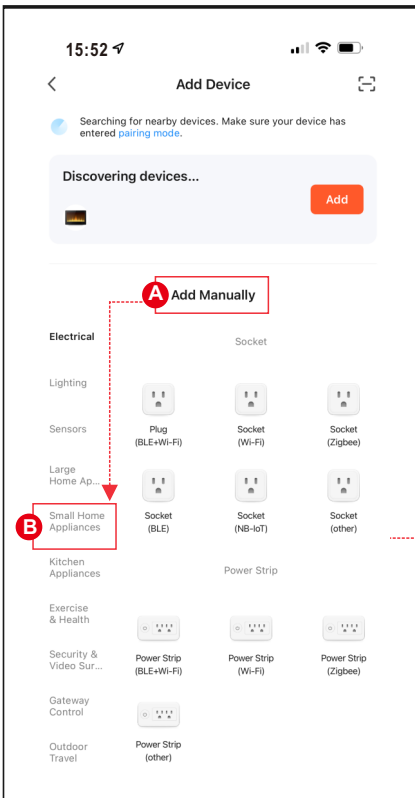
After account is created, log into account and select the "Add Device" button.




3. Add device - Continued

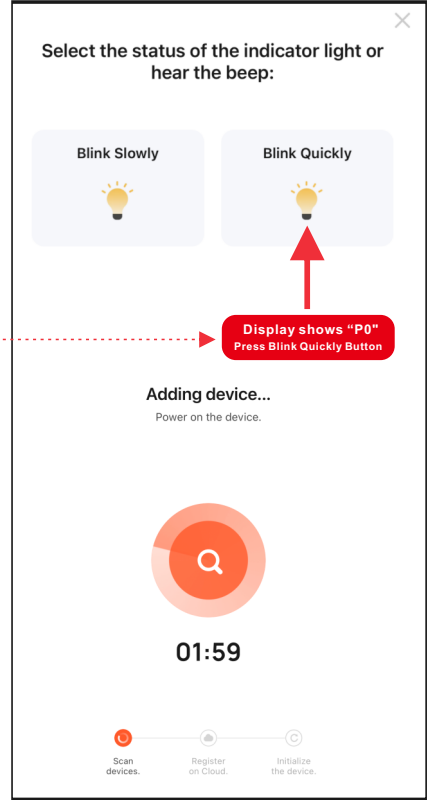
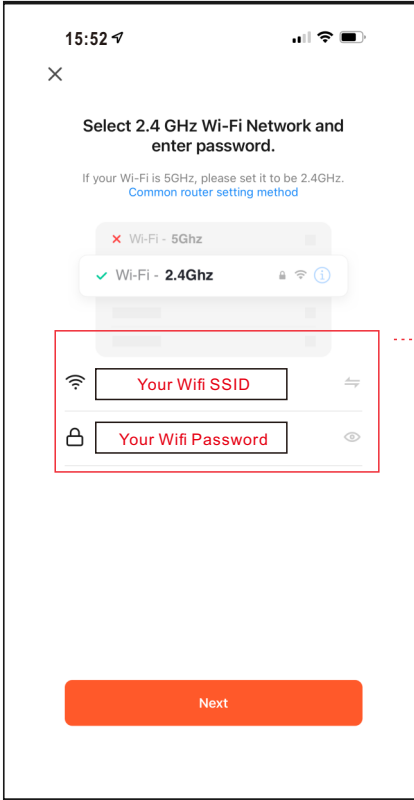
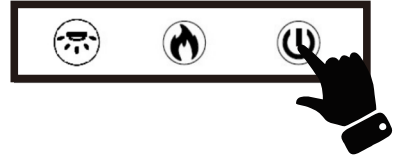
There are three methods to add your Electric Fireplace.

- Method 1: Add Manually on "P0" mode. Please follow below steps A,B,C,D.
- Method 2: Add Manually on "P1" mode. Please follow below steps A,B,C,D.
- Method 3: Add by Bluetooth. Open Bluetooth on your mobile phone before adding. (Best Way)




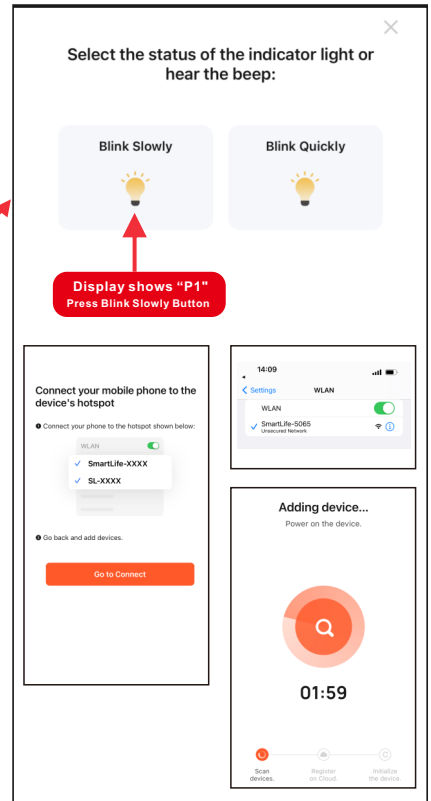
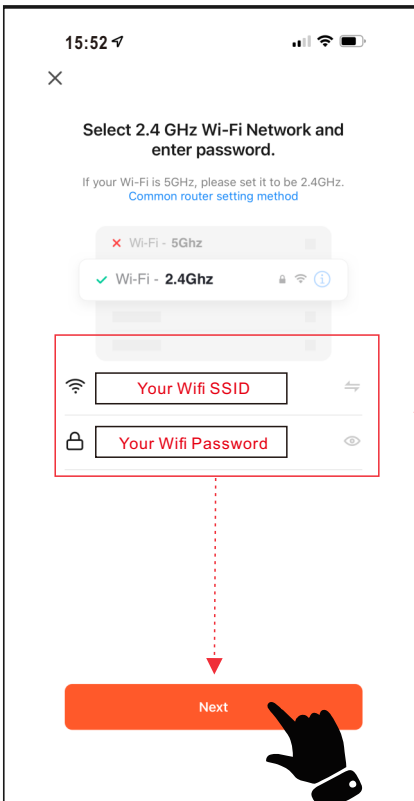
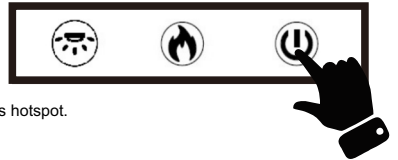
4. Connecting method 1 - (P0)

- Press & hold  from remote control and you will hear the “beep” sound from the fireplace.
- Enter the WIFI name and password, then press “Next” button for pairing.
- Press the **Blink Quickly** button, device being added.




4. Connecting method 2 - (P1)

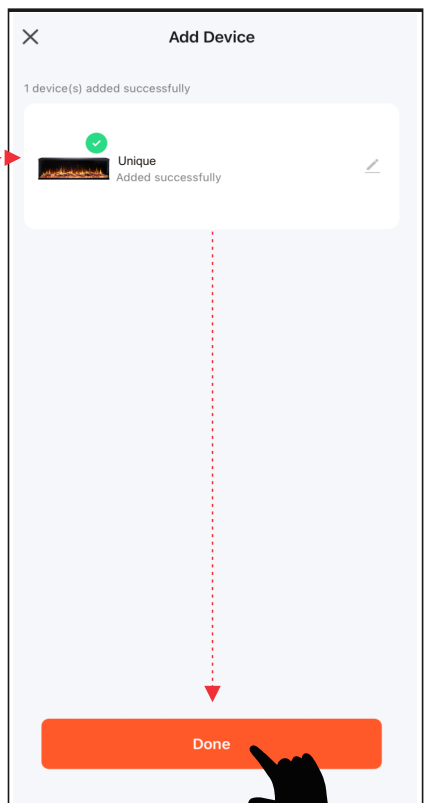
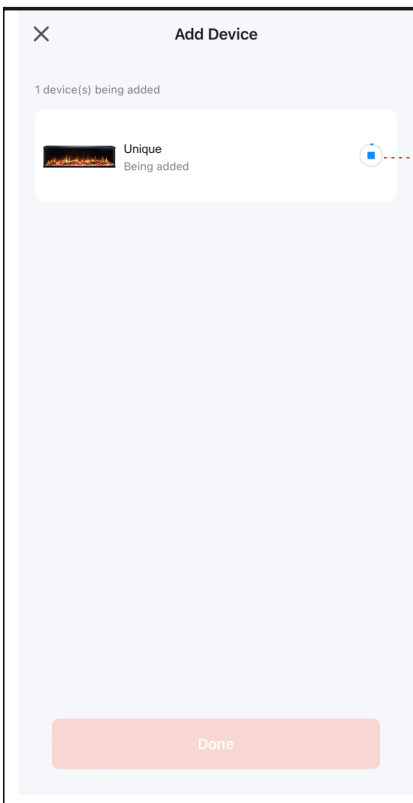
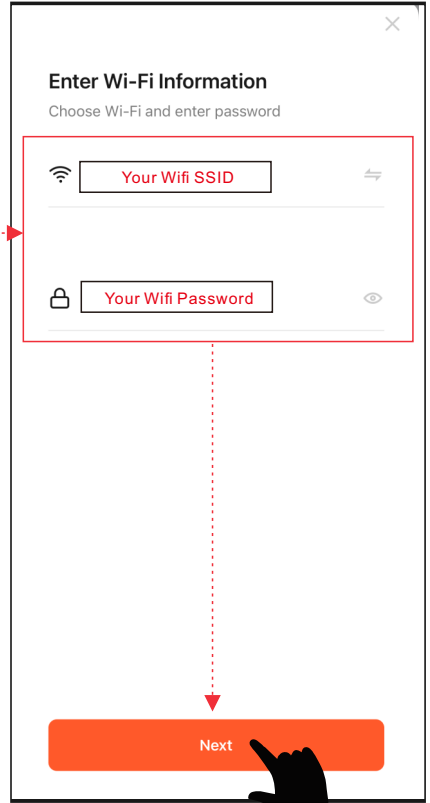
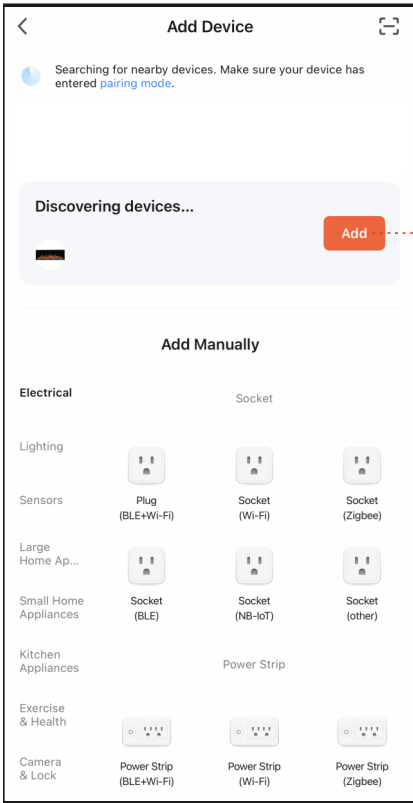
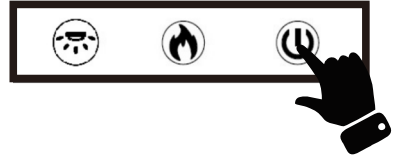
- Press & hold  from remote control and you will hear the “beep” sound from the fireplace.
- Enter the WIFI name and password, then press “Next” button for pairing.
- Press the **Blink Slowly** button. Then go to connect your mobile phone to the device's hotspot.
- Select device's hotspot (**SmartLife-xxxx**), then back to device. Device being added.



4. Connecting method 3 - (Bluetooth)

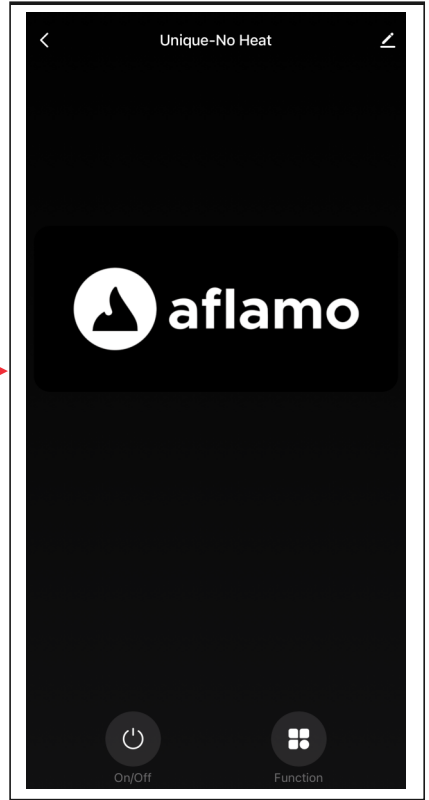
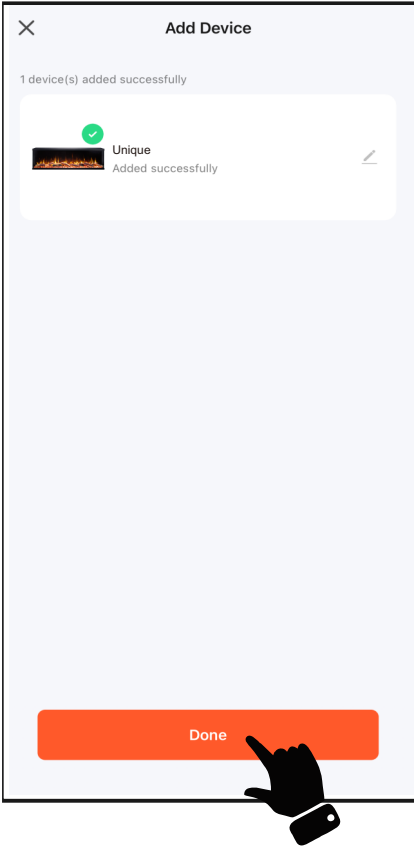


- Press & hold  from remote control and you will hear the “beep” sound from the fireplace.
- Press the **Add** button when you see the device named “Unique”.
- Enter the WIFI name and password, then press “Next” button for pairing.

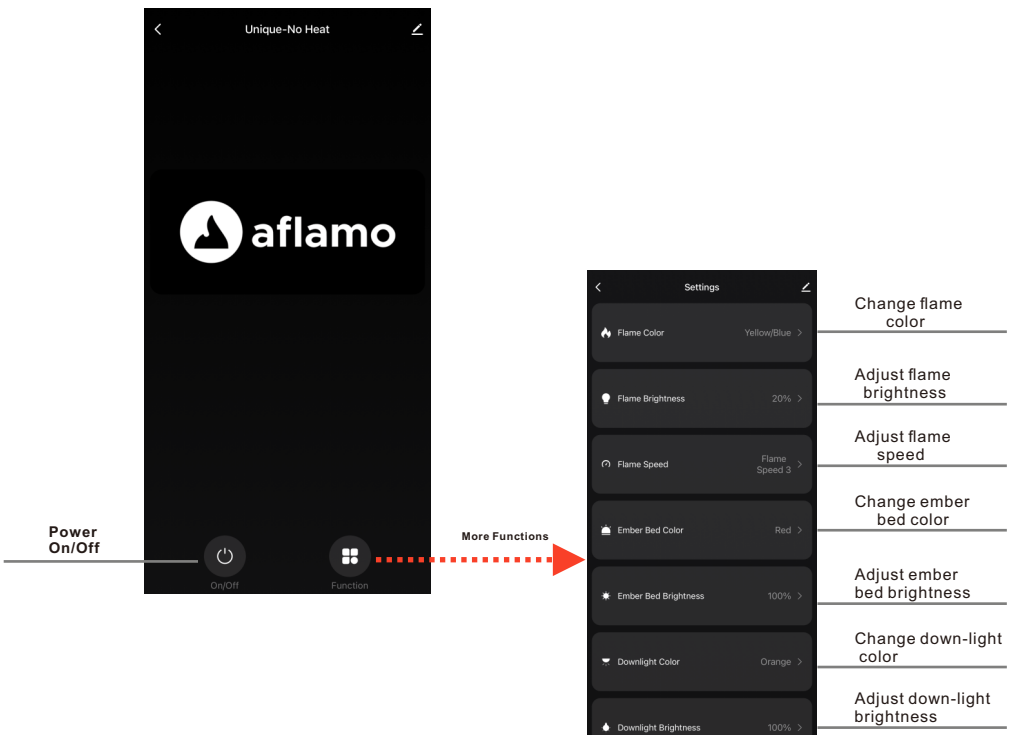


5.Complete

- Press **Done** to complete.

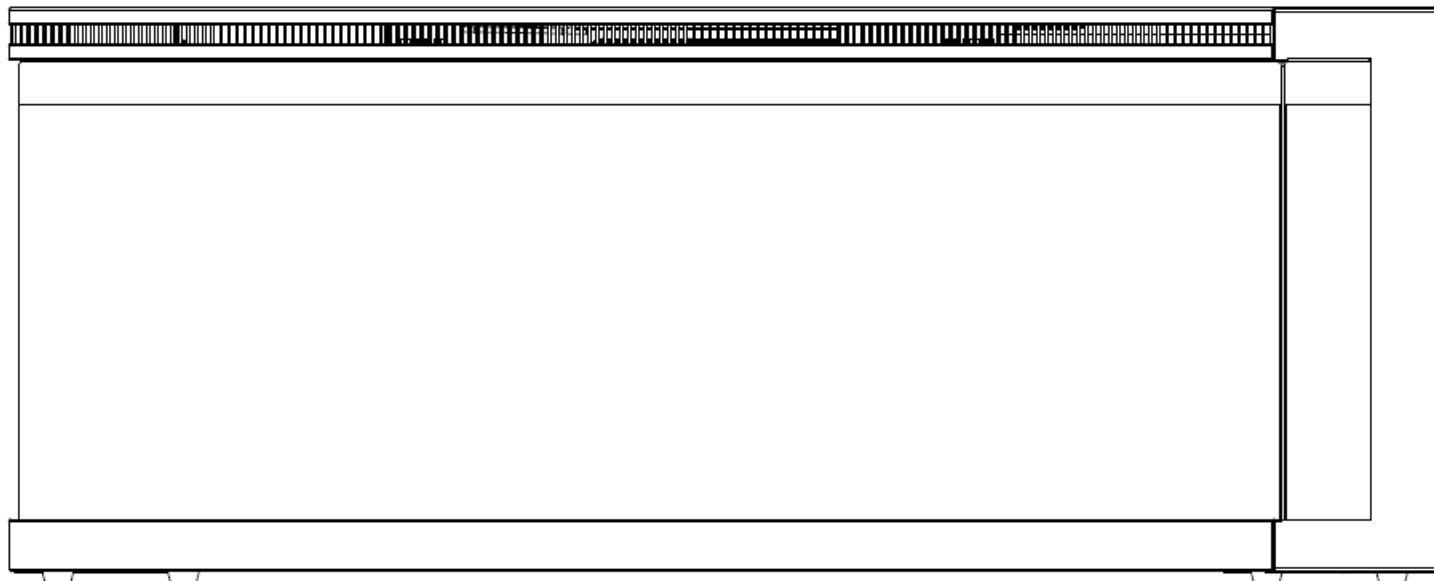


APP Operating Instruction



AFLAMO UNIQUE

INSTRUKCJA UŻYTKOWNIKA



UNIQUE 107/127/153/166/183/254
Ścienny / do zabudowy kominek elektryczny

AC 220V-240V 50Hz 1400-1600W

**⚠ OSTRZE-
ŻENIE**

Przed podłączeniem lub skorzystaniem z urządzenia, **przeczytaj ze zrozumieniem** całą instrukcję użytkownika, z uwzględnieniem **wszystkich informacji dotyczących bezpieczeństwa**. Niezastosowanie się do tego wymogu może skutkować **wzniesieniem ognia, porażeniem prądem lub poważnymi obrażeniami ciała**.

⚠ UWAGA

Zachowaj niniejszą instrukcję użytkownika w celu skorzystania z niej w przyszłości. W przypadku sprzedaży lub przekazania urządzenia, **należy koniecznie dołączyć do niego instrukcję**.



WAŻNE INSTRUKCJE BEZPIECZEŃSTWA:



OSTRZEŻENIE:

Podczas korzystania z urządzeń elektrycznych, należy zawsze przestrzegać podstawowych środków ostrożności, aby zmniejszyć ryzyko pożaru, porażenia prądem i obrażeń osób, z uwzględnieniem poniższych wskazówek:

- Przeczytaj wszystkie instrukcje przed użyciem tego urządzenia.
- Urządzenie nagrzewa się podczas pracy. Aby uniknąć oparzeń, nie dotykaj gorących powierzchni. Jeżeli są dostępne – używaj uchwytów w celu przenoszenia urządzenia. Trzymaj materiały palne takie jak meble, poduszki, pościel, dokumenty, ubrania i zasłony w odległości co najmniej 1 m od przodu urządzenia. Trzymaj wszystkie te przedmioty z dala od boków i tyłu urządzenia. Aby uniknąć przegrzania, nie okrywaj niczym urządzenia.
- Szczególną ostrożność należy zachować, gdy urządzenie grzewcze używane jest w pobliżu dzieci lub osób niepełnosprawnych oraz gdy pozostaje załączone bez nadzoru.
- Nieużywane urządzenie należy odłączyć od zasilania.
- Nie uruchamiaj urządzenia z uszkodzonym przewodem zasilającym lub wtyczką, bądź w przypadku usterki urządzenia, upadku z wysokości. Należy oddać urządzenie do autoryzowanego serwisu w celu zbadania, regulacji elektrycznej lub mechanicznej, lub naprawy.
- Urządzenie przeznaczone jest wyłącznie do użytku wewnątrz budynku.
- Nie używaj urządzenia w łazienkach, pralniach i podobnych pomieszczeniach. Nigdy nie umieszczaj urządzenia w miejscach gdzie może wpaść do wanny lub innego zbiornika z wodą.
- Nie prowadź przewodu zasilającego pod wykładziną. Nie zakrywaj przewodu dywanami, chodnikami oraz innymi wykładzinami. Prowadź przewód z dala od często uczęszczanych miejsc i tak, żeby nikt się o niego nie potknął.
- Aby odłączyć urządzenie, wygaś wszystkie kontrolki na „OFF”, a następnie wyjmij wtyczkę z gniazdka.
- Nie wkładaj i nie pozwól aby jakiegokolwiek przedmioty dostały się do otworów wentylacyjnych i nawiewu, gdyż może to spowodować porażenie prądem, pożar lub uszkodzenie urządzenia.
- Aby uniknąć ryzyka pożaru, nie blokuj wlotów i wylotów powietrza w jakikolwiek sposób. Nie używaj urządzenia na miękkich powierzchniach takich jak łóżko, gdzie otwory mogą zostać zablokowane.
- Kominek posiada wewnątrz elementy nagrzewające się oraz mogące wytwarzać iskry i łuki elektryczne. Nie używaj w miejscach przechowywania benzyny, farb lub innych łatwopalnych cieczy.
- Używaj kominka tylko w sposób przedstawiony w niniejszej instrukcji. Wszelkie inne zastosowania nie zalecane przez producenta, mogą spowodować pożar, porażenie prądem lub obrażenia osób.
- NIEBEZPIECZEŃSTWO – WYSOKIE temperatury mogą być generowane w nieprawidłowych warunkach pracy. Nie zakrywaj w całości lub częściowo przodu urządzenia grzewczego.
- Lampy można wymieniać wyłącznie po odłączeniu kominka od zasilania.
- Niniejsze urządzenie nie jest przeznaczone do użytku przez osoby (w tym dzieci) o obniżonej sprawności fizycznej, umysłowej lub czuciowej bądź nieposiadające odpowiedniej wiedzy albo doświadczenia, chyba że znajdują się one pod nadzorem osoby odpowiedzialnej za ich bezpieczeństwo lub zostały przez nią poinstruowane w zakresie użytkowania urządzenia. Należy zadbać o to, aby dzieci nie bawiły się urządzeniem.
- UWAGA: Aby uniknąć ryzyka spowodowanego niezamierzonym zresetowaniem termicznych wyłączników przeciążeniowych, kominka nie wolno podłączać do zewnętrznego urządzenia przełączającego, jak programator lub obwodu z układem cyklicznego załączania i wyłączania.

Przygotowanie

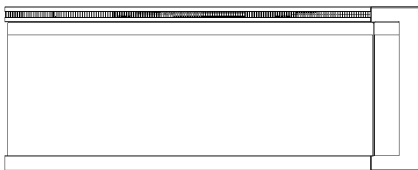
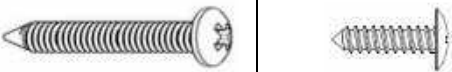









Produkt ten wyposażony jest w **szklany panel!** Zawsze podczas przenoszenia **szkła** należy zachować **szczególną ostrożność**. Niezastosowanie się do tego zalecenia może skutkować obrażeniami ciała lub uszkodzeniem mienia.

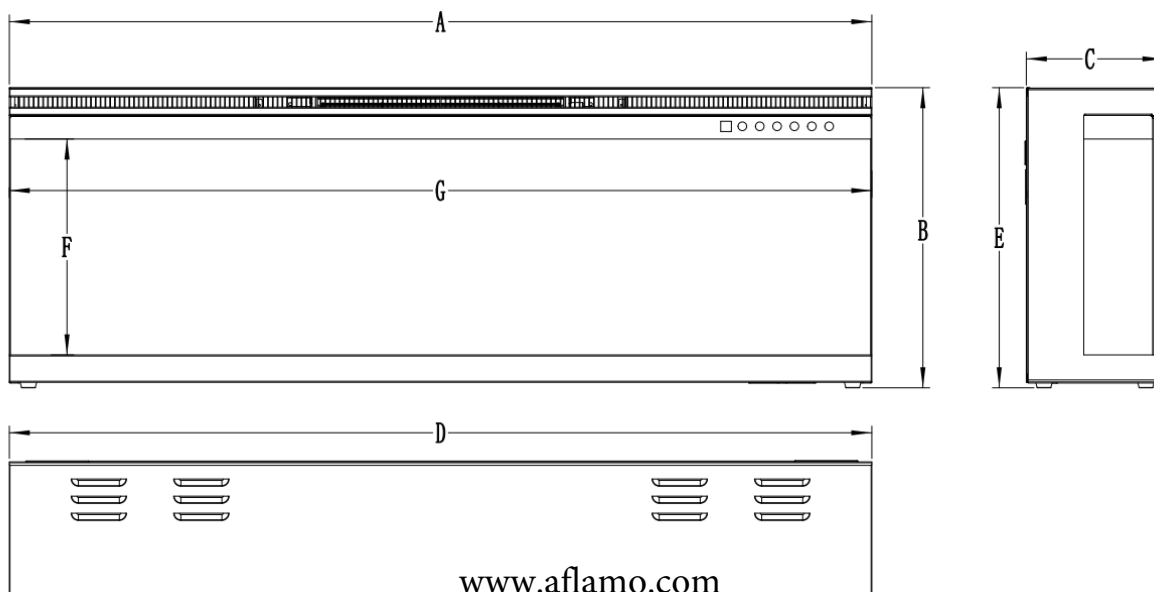
Wyjmij wszystkie podzespoły i elementy montażowe z kartonu i ułóż je na czystym, miękkim i suchym podłożu. Sprawdź listę części aby upewnić się, że niczego nie brakuje. Materiały opakowaniowe należy zutylizować we właściwy sposób. Zawsze gdy jest to możliwe, należy przekazywać odpady do ponownego przetwarzania.

Niezbędne będą następujące narzędzia (nie stanowią wyposażenia): śrubokręt krzyżakowy; poziomica; miarka; wiertarka; młotek.

Podzespoły i elementy montażowe

 <p>A – Fireplace</p>	 <p>B- Śruby do drewna</p>		 <p>C- Kotwy</p>	
	 <p>D - Pilot Zdalnego Sterowania</p>		 <p>E- Złoże</p>	
	 <p>F - Zestaw polan</p>	 <p>G - Kryształki - duże</p>	 <p>H - Kryształki - małe</p>	 <p>I- Uchwyt ścienny Montowany z tyłu obudowy</p>

Specyfikacja i wymiary



WYMIARY (mm)

Model	A	B	C	D	E	F	G
UNIQUE 107	1067	440	200	1067	440	316	1065
UNIQUE 127	1262	440	200	1262	440	316	1260
UNIQUE 153	1524	440	200	1524	440	316	1522
UNIQUE 166	1650	440	200	1650	440	316	1648
UNIQUE 183	1828	440	200	1828	440	316	1826
UNIQUE 254	2540	440	200	2540	440	316	2538

Instalacja i montaż

Urządzenie przeznaczone jest do montażu na ścianie, w zabudowie i/lub w obudowie. Wybierz odpowiednie miejsce, nienarażone na wilgoć i oddalone od zasłon, mebli i natężonego ruchu.

UWAGA: Postępuj zgodnie z wszystkimi krajowymi i lokalnymi przepisami elektrycznymi. Do paleniska elektrycznego dodano przewód zasilający. Instrukcję podłączenia połączenia stałego znaleźć można w rozdziale dotyczącym montażu połączenia stałego.

MINIMALNA ODLEGŁOŚĆ OD MATERIAŁÓW ŁATWOPALNYCH

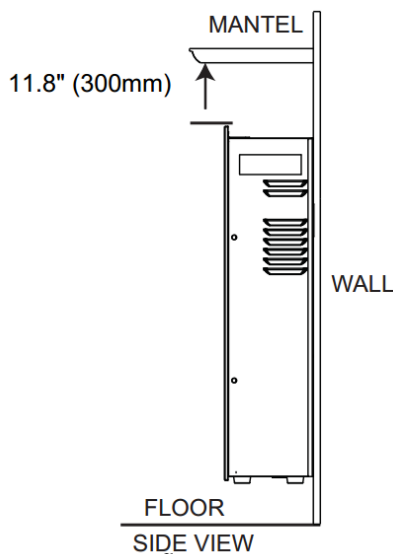
Pomiar wykonany od przodu szyby.

Spód	0"	Góra	11.8" (300mm) od obudowy
Boki	0"	Góra	11.8" (300mm) od sufitu
Tył	0"		

MINIMALNA ODLEGŁOŚĆ OD OBUDOWY

OSTRZEŻENIE

JEŻELI DO WYKOŃCZENIA OBUDOWY ZASTOSOWANO FARBĘ LUB LAKIER, MUSZĄ TO BYĆ SUBSTANCJE ODPORNE NA WYSOKIE TEMPERATURY ABY UNIKNĄĆ ODBARWIENIA.



Montaż połączenia stałego we wnęce

UWAGA

PRZED ROZPOCZĘCIEM PRAC NALEŻY CAŁKOWICIE WYŁĄCZYĆ URZĄDZENIE I POCZekać AŻ OSTYGNIE. PRACE SERWISOWE I NAPRAWCZE WYKONYWAĆ MOŻE WYŁĄCZNIE OSOBA WYKWALIFIKOWANA.

POŁĄCZENIE STAŁE

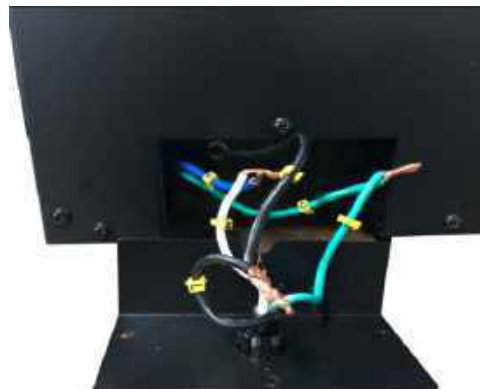
W przypadku podłączenia stałego, wykwalifikowany elektryk powinien odłączyć połączenie przewodowe i podłączyć urządzenie bezpośrednio do okablowania domu. **UWAGA: Wymagany wyłącznik 15 amp (lub wyżej).**

Przy połączeniu stałym, urządzenie musi być podłączone i uziemione zgodnie z lokalnymi przepisami. W przypadku braku przepisów lokalnych, należy zastosować kodeks NATIONAL ELECTRICAL CODE.

Fig.A



Fig.B



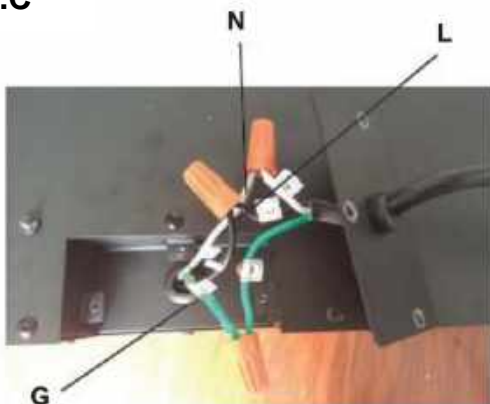
W PIERWSZEJ KOLEJNOŚCI NALEŻY ODŁĄCZYĆ ZASILANIE OD WYŁĄCZNIKA

- Wykręć trzy śruby, aby usunąć pokrywę po prawej stronie u dołu urządzenia, tak jak to pokazano powyżej (POR FIG. A).
- Usuń złącze z przewodu zasilającego. Przewód zasilający nie będzie już potrzebny (POR FIG. B).
- Wykonaj otwór 7/8" (22,2 mm) w nowej pokrywie dołączonej do zestawu. Podłącz złącze przez otwór w pokrywie. Przeprowadź przewody przez złącze.
- Przy pomocy złączy połącz zielone przewody uziemiające (G), standardowe białe przewody (N), a następnie czarne przewody termoelektryczne (L) (POR FIG. C).
- Przykręć pokrywę na miejsce przy pomocy trzech śrub, tak jak to pokazano na FIG. 4-1.



Złącze

Fig.C



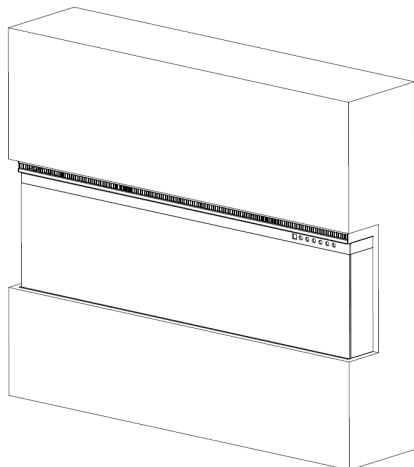
7/8" (22.2mm)
Diameter



Pokrywa

Montaż

Urządzenie umożliwia montaż w jednej z trzech konfiguracji: **jednostronnej, dwustronnej i trójstronnej**.

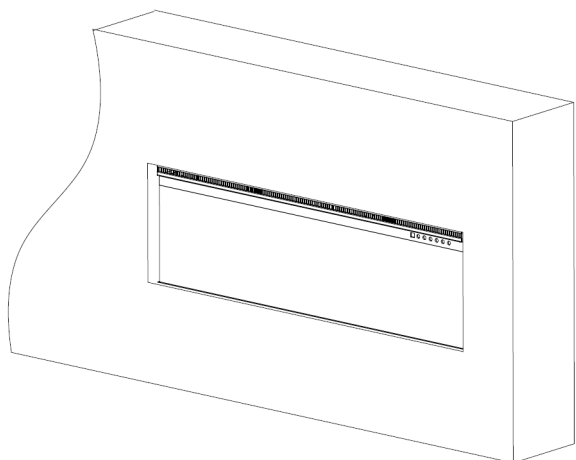
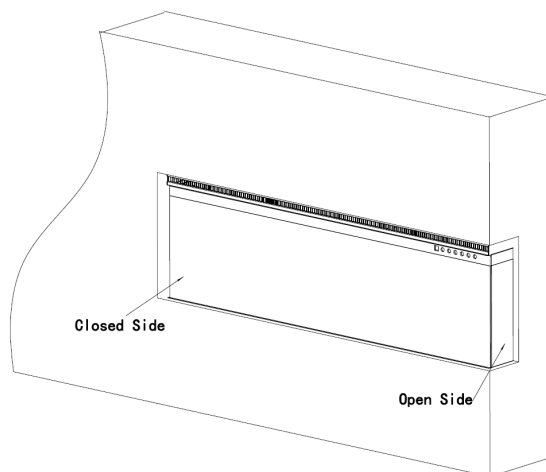


Montaż trójstronny

- Szkło widoczne z przodu, po lewej i po prawej stronie.
- Urządzenie jest w pełni wbudowane we wnękę w ścianie, aby obie strony były widoczne.

Montaż dwustronny

- Szkło widoczne z przodu i po lewej lub po prawej stronie.
- Urządzenie jest w pełni wbudowane we wnękę w ścianie, aby jedna ze stron była widoczna.

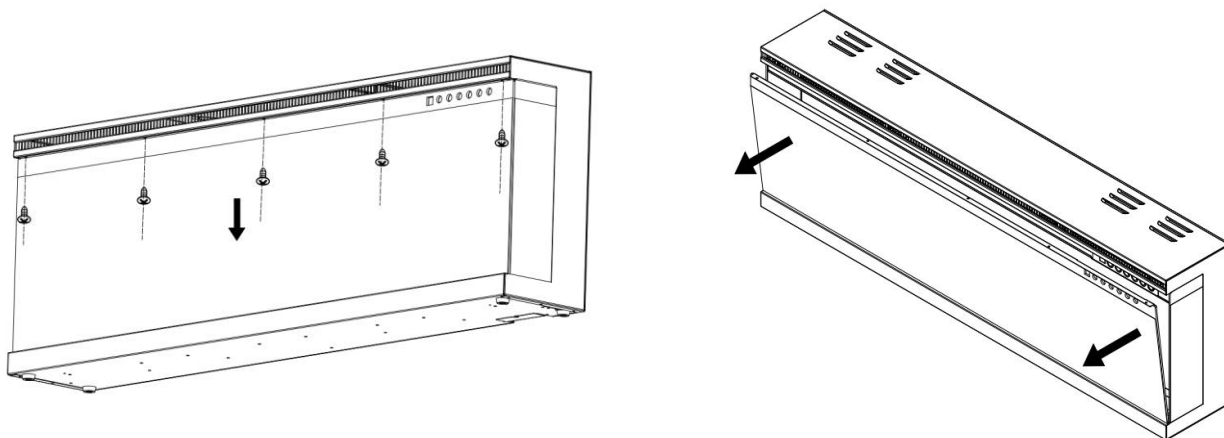


Montaż jednostronny

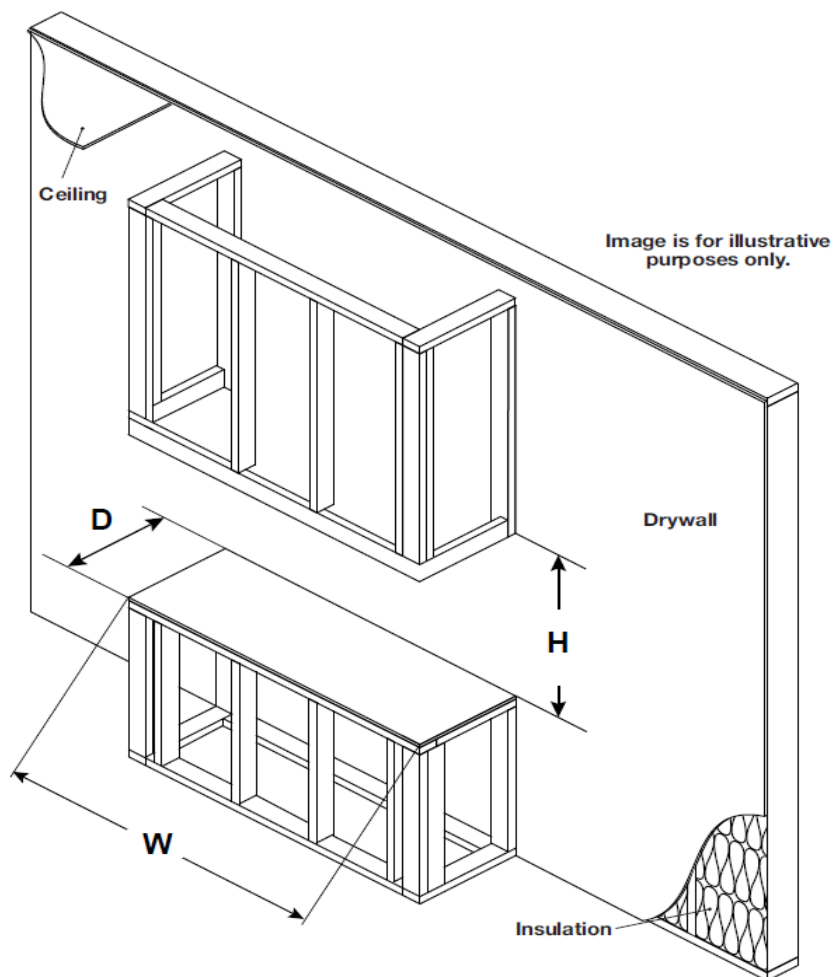
- Szkło widoczne WYŁĄCZNIE z przodu.
- Urządzenie całkowicie wbudowane w ścianę.

Montaż/usunięcie przedniej szyby

- Zdejmij wszystkie śruby z góry szklanego panelu.
- Przechyl panel przedni do przodu. Do usunięcia szklanego panelu potrzebne będą dwie osoby.
- Aby zamontować panel przedni, wykonaj powyższe czynności w odwrotnej kolejności.



Montaż/szkielet



UWAGA: Zamontuj kominek w taki sposób, aby w przypadku awarii można było go wyjąć ze ściany w celach serwisowych.

Model	W	D	H
UNIQUE 107	1067 (mm)	210 (mm)	443 (mm)
UNIQUE 127	1262 (mm)	210 (mm)	443 (mm)
UNIQUE 153	1524 (mm)	210 (mm)	443 (mm)
UNIQUE 166	1650 (mm)	210 (mm)	443 (mm)
UNIQUE 183	1828 (mm)	210 (mm)	443 (mm)
UNIQUE 254	2540 (mm)	210 (mm)	443 (mm)

Uwaga:

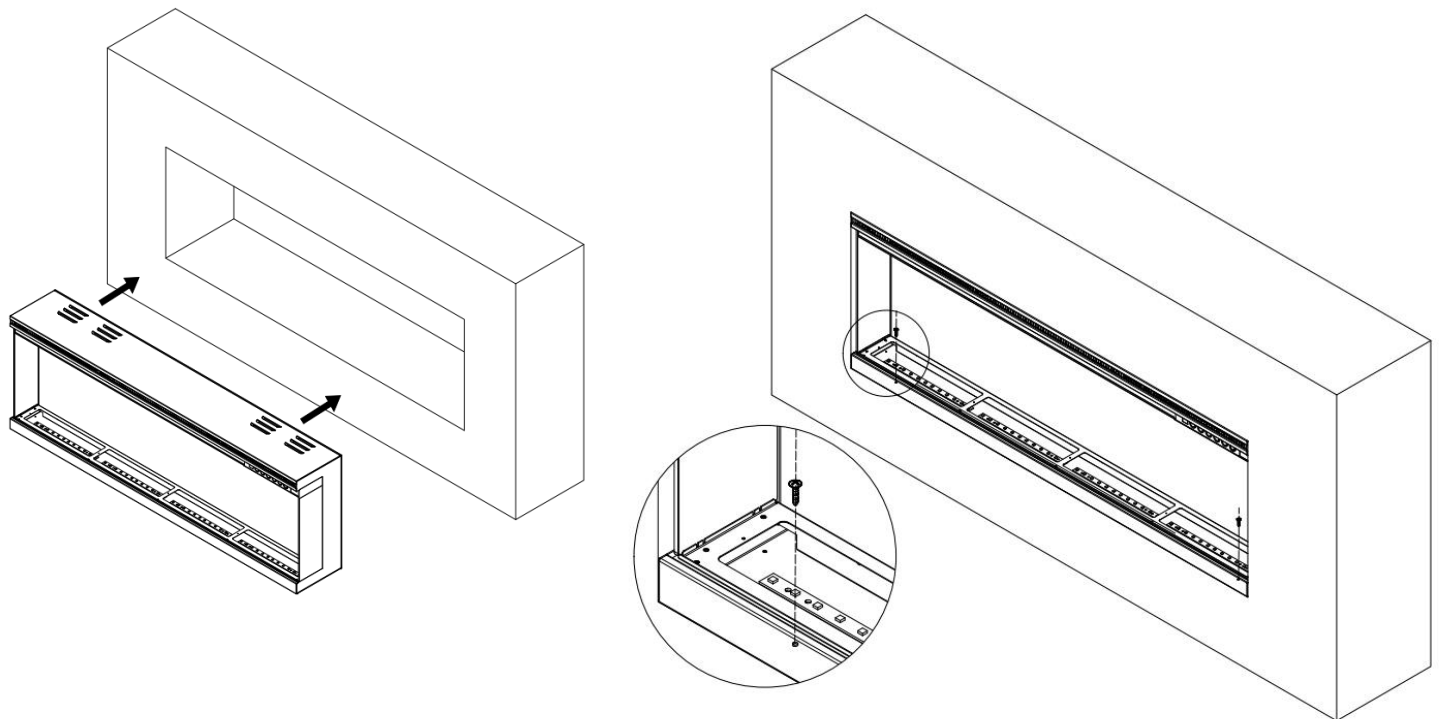
Urządzenie NIE ZOSTAŁO zaprojektowane pod kątem utrzymywania dużych obciążeń. Przy montażu szkieletu należy uważnie rozważyć dobór materiałów wykończeniowych.

Należy upewnić się, że montaż jest zgodny z regulacjami i wymogami budowlanymi.

Wszystkie opcje montażu mają te same wymogi dotyczące szkieletu.

Uwaga:

W przypadku całkowitego wbudowania urządzenia w ścianę, należy zamocować palenisko przy pomocy krótkich śrub (B) **pod złożem**. Por. ilustracja poniżej



Montaż na ścianie

Z powodu różnych materiałów wykorzystywanych do budowy ścian, zdecydowanie zaleca się skonsultowanie z konstruktorem budynku, przed zamontowaniem urządzenia na ścianie.

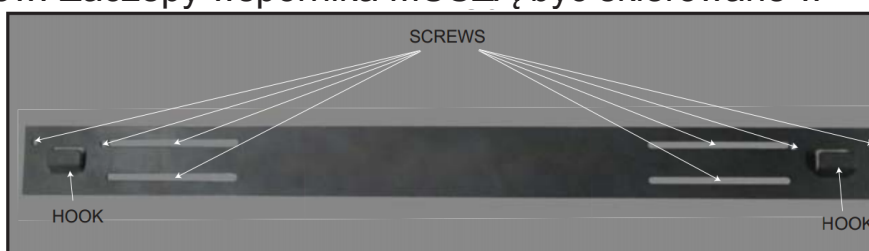
A. Wybierz miejsce, które nie jest podatne na działanie wilgoci i znajduje się w odległości co najmniej 36" (914 mm) od materiałów łatwopalnych, jak zasłony, meble, pościel, dokumenty, itp.

B. Przy pomocy drugiej osoby, przystaw urządzenie do ściany w celu określenia docelowego miejsca montażu.

C. Ułóż urządzenie przodem w dół na miękkiej, nieściernej powierzchni. Zdemontuj wspornik z tylnej ścianki odkręcając niezbędne śruby, patrz Rysunek 1.

D. Zaznacz docelowe miejsce montażu, następnie zamontuj wspornik(i) na ścianie za pomocą dostarczonych wkrętów. Zaczepy wspornika **MUSZĄ** być skierowane w

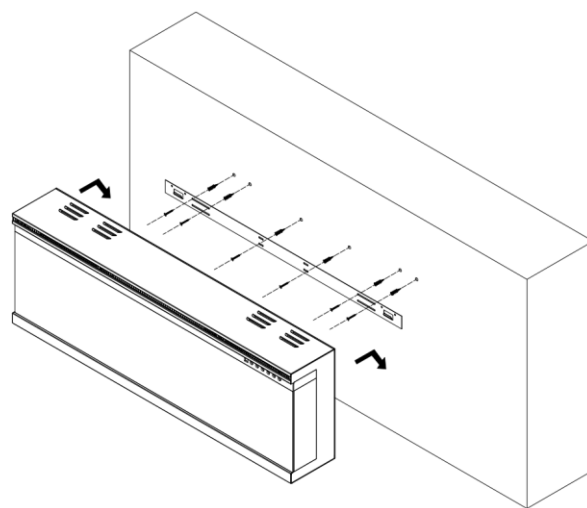
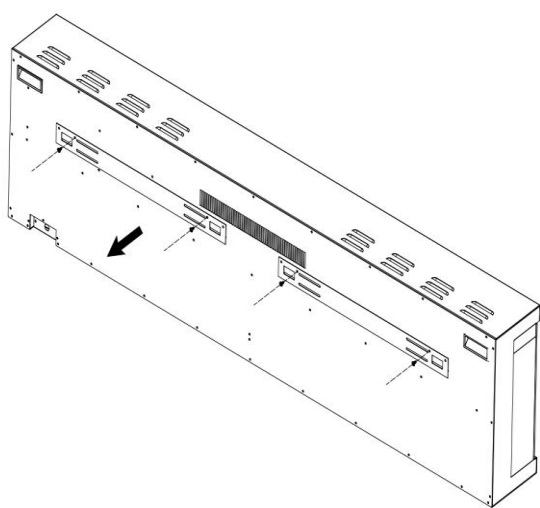
górę, a sam wspornik należy wypoziomować. **UWAGA:** Zdecydowanie zaleca się, w miarę możliwości, przykręcenie



wspornika (E) do profili ściennych. Jeżeli nie ma możliwości wykorzystania profili w ścianie, należy zastosować dostarczone kołki rozporowe w celu zamontowania wspornika na ścianie i jego odpowiedniego zabezpieczenia.

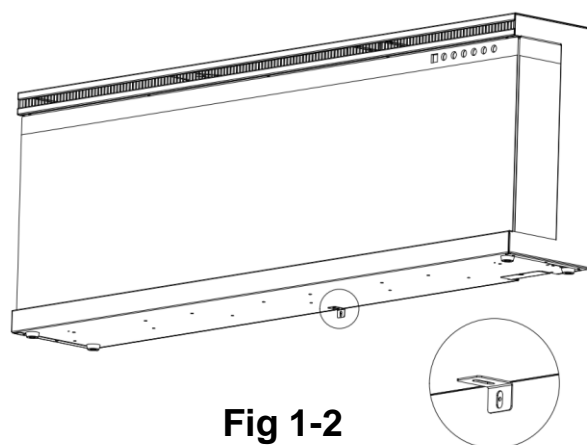
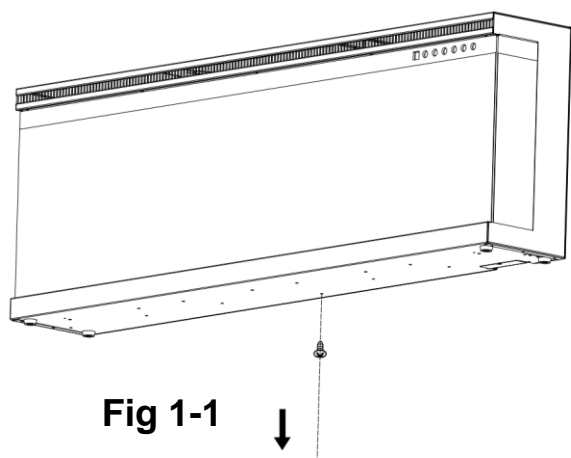
E. Po zainstalowaniu ściennego wspornika montażowego, podnieś urządzenie z pomocą drugiej osoby i osadź dwa zaczepy wspornika w otworach na tylnej ściance urządzenia.

F. Sprawdź stabilność urządzenia, upewniając się że wspornik nie poluzuje się i nie odpadnie od ściany.

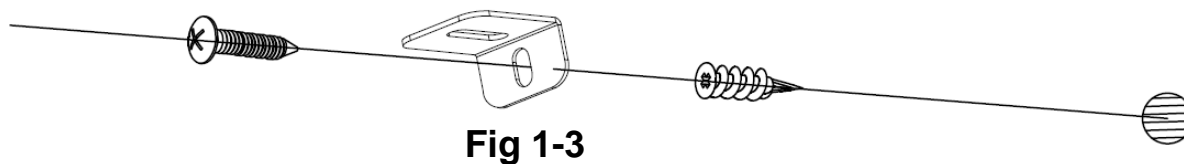


Montaż wspornika w kształcie litery „L”

A. Zdejmij srebrną śrubę u dołu urządzenia (**Fig 1-1**). Odłóż śrubę na bok.



B. Przy pomocy tej śruby zamontuj wspornik w kształcie litery „L” (**J**) u dołu paleniska. (**Fig 1-2**)



C. Zamontuj plastikową kotew (**C**) w suchej ścianie, następnie zamontuj dłuższą śrubę (**B**) (w zestawie) przez otwór we wsporniku w kształcie litery „L” w kotwi, aby przymocować palenisko do ściany. (**Fig 1-3**)

Montaż kłód/kryształów

(UWAGA: Zamontuj złoże według swojego upodobania.)

- A. Przed montażem elementów złoża należy usunąć szklany panel i kotwi, zamontować urządzenie na jego ostatecznym miejscu.
- B. Połóż złoże (E) na miejscu, matową powierzchnią ku górze. Ostrożnie umieść kryształy (H) u dołu w przedniej części urządzenia, tak jak to pokazano na obrazku. Kryształy należy rozkładać równomiernie. **Fig. 2-1, Fig. 2-2**
- C. Umieść duże kryształy (G) na mniejszych kryształach w dowolny sposób. **Fig. 2-3**



Fig 2-1.



Fig 2-2.

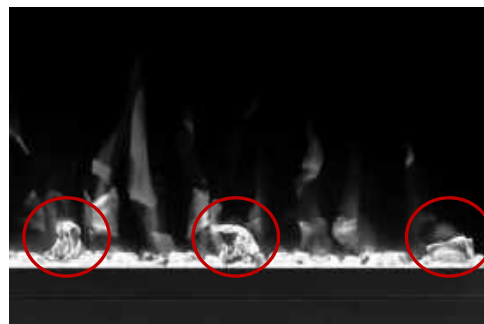


Fig 2-3.

Montaż opcjonalnego elementu-kłody

Ostrożnie umieść zestaw kłody (F) w przeznaczonym do tego miejscu w palenisku. **Fig.3**



Kłody (Fig 3.)

Obsługa



Przed podłączeniem lub rozpoczęciem korzystania z urządzenia, przeczytaj ze zrozumieniem całą instrukcję użytkownika, z uwzględnieniem **wszystkich informacji dotyczących bezpieczeństwa**. Niezastosowanie się do tego wymogu może skutkować porażeniem prądem, wzniesieniem ognia, poważnymi obrażeniami ciała lub śmiercią.

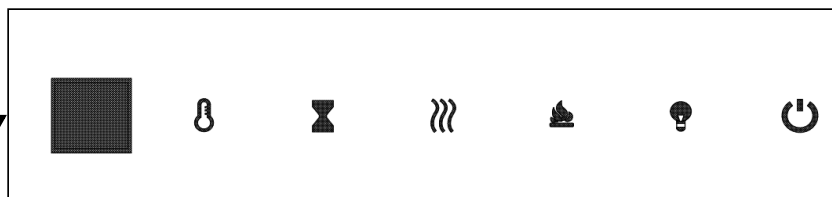
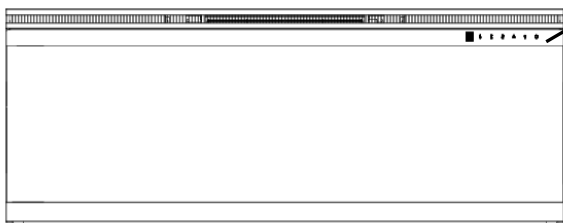
Podłączenie do zasilania

Podłącz przewód zasilający do gniazdka AC 220-240 V (patrz **WAŻNE INSTRUKCJE BEZPIECZEŃSTWA** na **stronach 2 i 3**). Upewnij się, że gniazdko jest w dobrym stanie technicznym i wtyczka nie jest luźna. **NIGDY** nie przekraczaj dopuszczalnego natężenia prądu dla obwodu. **NIE** podłączaj innych urządzeń do tego samego obwodu.

Sposoby obsługi

Kominek ten można obsługiwać za pomocą PANELU STEROWANIA/PANELU DOTYKOWEGO lub korzystając z PILOTA ZDALNEGO STEROWANIA, zasilanego bateriami.






Przed przystąpieniem do obsługi, zapoznaj się z **WAŻNYMI INSTRUKCJAMI BEZPIECZEŃSTWA** na **stronach 2 i 3** i zastosuj się do nich.



Panel Sterowania/Dotykowy





Obsługa panelu sterowania



PRZYCISK	FUNKCJA	DZIAŁANIE i SYGNALIZACJA
 POWER	WŁ.: Aktywuje funkcje panelu sterowania i pilota. Załącza efekt płomienia. WYŁ.: Blokuje funkcje panelu sterowania i pilota. Wyłącza efekt płomienia.	<ol style="list-style-type: none">Naciśnij raz: Kontrolka zaświeci się. Załączenie zasilania. Wszystkie funkcje aktywne.Naciśnij ponownie: Efekt płomienia wyłączony. Urządzenie w trybie oczekiwania. Wszystkie funkcje nieaktywne.

 TEMP	<p>1. Naciśnij raz: Zapali się kontrolka. Temperatura zmieni się na 18 °C</p> <p>2. Naciśnij ponownie: aż do uzyskaniażądanego ustawienia. Wyświetlacz wskazuje nastawę z tabeli:</p> <table border="1" data-bbox="272 296 1507 464"> <tr> <td>NO</td><td>0</td><td>1</td><td>2</td><td>3</td><td>4</td><td>5</td><td>6</td><td>7</td><td>8</td><td>9</td><td>10</td><td>N</td> </tr> <tr> <td>°C</td><td>20</td><td>21</td><td>22</td><td>23</td><td>24</td><td>25</td><td>26</td><td>27</td><td>28</td><td>29</td><td>30</td><td>C</td> </tr> <tr> <td>°F</td><td>68</td><td>70</td><td>72</td><td>74</td><td>76</td><td>78</td><td>80</td><td>82</td><td>84</td><td>86</td><td>88</td><td>F</td> </tr> <tr> <td></td><td>69</td><td>71</td><td>73</td><td>75</td><td>77</td><td>79</td><td>81</td><td>83</td><td>85</td><td>87</td><td></td><td></td> </tr> </table> <p>UWAGA: Naciśnij i Przytrzymaj przycisk przez 5 sekund, skala zmieni się z °C na °F. Tak samo z °F na °C.</p>	NO	0	1	2	3	4	5	6	7	8	9	10	N	°C	20	21	22	23	24	25	26	27	28	29	30	C	°F	68	70	72	74	76	78	80	82	84	86	88	F		69	71	73	75	77	79	81	83	85	87			
NO	0	1	2	3	4	5	6	7	8	9	10	N																																										
°C	20	21	22	23	24	25	26	27	28	29	30	C																																										
°F	68	70	72	74	76	78	80	82	84	86	88	F																																										
	69	71	73	75	77	79	81	83	85	87																																												
 TIMER	<p>Przycisk programatora: Regulacja ustawień programatora w celu wyłączenia kominka o określonej godzinie.</p> <p>Zakres nastawy od 0,5 do 8 godziny.</p>	<ol style="list-style-type: none"> 1. Naciśnij raz: Kontrolka zaświeci się. Programator ustawiony na 0,5 godziny. 2. Naciskaj ponownie aż do uzyskaniażądanego ustawienia. Kontrolka wskazuje ustawienie. 																																																				
 HEATER	<p>Przycisk NAGRZEWNICY: Włącza i wyłącza nagrzewnicę.</p> <p>UWAGA: Aby uniknąć przegrzania, wentylator nagrzewnicy będzie nawiewał chłodne powietrze przez 8-10 sekund przed załączeniem nagrzewnicy oraz po jej wyłączeniu.</p>	<ol style="list-style-type: none"> 1. Naciśnij raz. Zapali się kontrolka. Wentylator nawiewa chłodne powietrze przez 10 sekund. Niski poziom nagrzewnicy włączy się i nawiewa ciepłe powietrze. 2. Naciśnij ponownie. Kontrolka świeci się. Wysoki poziom nagrzewnicy włączy się i nawiewa ciepła powietrze. 3. Naciśnij ponownie. Nagrzewnica wyłączy się. Wentylator nawiewa chłodne powietrze przez 10 sekund umożliwiając schłodzenie nagrzewnicy, następnie wyłącza się. 																																																				
 FLAME COLOR	<p>Przycisk KOLORU: Zmiana koloru dla efektu płomienia.</p> <p>UWAGA: Efekt koloru pozostaje aktywny do momentu naciśnięcia przycisku zasilania. Efekt koloru płomienia musi być załączony w celu uruchomienia nagrzewnicy.</p> <p>UWAGA: Niniejszy kominek posiada funkcję zapamiętywania ustawień płomienia.</p>	<ol style="list-style-type: none"> 1. Naciśnij raz: Zmiana koloru płomienia. 2. Naciskaj ponownie aż do uzyskaniażądanego ustawienia. Dostępnych 6 kolorów. 																																																				
 FLAME BRIGHTNESS	<p>Przycisk PŁOMIENIA: regulacja jasności płomienia.</p> <p>UWAGA: Efekt płomienia pozostaje załączony do momentu naciśnięcia przycisku zasilania. Efekt płomienia musi być załączony w celu uruchomienia nagrzewnicy.</p>	<ol style="list-style-type: none"> 1. Naciśnij raz: Zmiana jasności efektu płomienia. 2. Naciskaj ponownie aż do uzyskaniażądanego ustawienia. 																																																				



Obsługa pilota

PRZYCISK	FUNKCJA	DZIAŁANIE i SYGNALIZACJA																																																				
 POWER	<p>WŁ.: Aktywuje funkcje panelu sterowania i pilota. Załącza efekt płomienia.</p> <p>WYŁ.: Blokuje funkcje panelu sterowania i pilota. Wyłącza efekt płomienia.</p>	<p>1. Naciśnij raz: Kontrolka zaświeci się. Załączenie zasilania. Wszystkie funkcje aktywne.</p> <p>2. Naciśnij ponownie: Efekt płomienia wyłączony. Urządzenie w trybie oczekiwania. Wszystkie funkcje nieaktywne.</p>																																																				
 TEMP	<p>1. Naciśnij raz: Zapali się kontrolka.</p> <p>2. Naciśnij ponownie: aż do uzyskania żądanego ustawienia. Wyświetlacz wskazuje nastawę z tabeli:</p> <table border="1" data-bbox="276 1003 1510 1171"> <thead> <tr> <th>NO</th> <th>0</th> <th>1</th> <th>2</th> <th>3</th> <th>4</th> <th>5</th> <th>6</th> <th>7</th> <th>8</th> <th>9</th> <th>10</th> <th>N</th> </tr> </thead> <tbody> <tr> <td>°C</td> <td>20</td> <td>21</td> <td>22</td> <td>23</td> <td>24</td> <td>25</td> <td>26</td> <td>27</td> <td>28</td> <td>29</td> <td>30</td> <td>C</td> </tr> <tr> <td>°F</td> <td>68</td> <td>70</td> <td>72</td> <td>74</td> <td>76</td> <td>78</td> <td>80</td> <td>82</td> <td>84</td> <td>86</td> <td>88</td> <td>F</td> </tr> <tr> <td></td> <td>69</td> <td>71</td> <td>73</td> <td>75</td> <td>77</td> <td>79</td> <td>81</td> <td>83</td> <td>85</td> <td>87</td> <td></td> <td></td> </tr> </tbody> </table> <p>UWAGA:Naciśnij i Przytrzymaj przycisk przez 5 sekund, skala zmieni się z °C na °F. Tak samo z °F na °C</p>	NO	0	1	2	3	4	5	6	7	8	9	10	N	°C	20	21	22	23	24	25	26	27	28	29	30	C	°F	68	70	72	74	76	78	80	82	84	86	88	F		69	71	73	75	77	79	81	83	85	87			
NO	0	1	2	3	4	5	6	7	8	9	10	N																																										
°C	20	21	22	23	24	25	26	27	28	29	30	C																																										
°F	68	70	72	74	76	78	80	82	84	86	88	F																																										
	69	71	73	75	77	79	81	83	85	87																																												
 TIMER	<p>Przycisk programatora: Regulacja ustawień programatora w celu wyłączenia kominka o określonej godzinie.</p> <p>Zakres nastawy od 0,5 do 8 godziny.</p>	<p>1. Naciśnij raz: Kontrolka zaświeci się. Programator ustawiony na 0,5 godziny.</p> <p>2. Naciskaj ponownie aż do uzyskania żądanego ustawienia. Kontrolka wskazuje ustawienie.</p>																																																				
 SPEED	<p>Szybkość efektu: Zmiana szybkości efektu płomienia. Są 3 poziomy szybkości: 01 (wolny), 02 (średni), 03 (szybki).</p>	<p>1. Naciśnij raz. Kontrolka zaświeci się. Następuje zmiana szybkości</p> <p>2. Naciśnij ponownie aż do uzyskania żądanego ustawienia. Domyślnie 03.</p>																																																				

 <p>FLAME COLOR</p>	<p>Przycisk KOLORU: Zmiana koloru dla efektu płomienia.</p> <p>UWAGA: Efekt koloru pozostaje aktywny do momentu naciśnięcia przycisku zasilania. Efekt koloru płomienia musi być załączony w celu uruchomienia nagrzewnicy.</p> <p>UWAGA: Niniejszy kominek posiada funkcję zapamiętywania ustawień płomienia.</p>	<ol style="list-style-type: none"> 1. Naciśnij raz: Zmiana koloru płomienia. 2. Naciskaj ponownie aż do uzyskaniażądanego ustawienia. Dostępnych 6 kolorów.
 <p>FLAME BRIGHTNESS</p>	<p>Przycisk PŁOMIENIA: regulacja jasności płomienia.</p> <p>UWAGA: Efekt płomienia pozostaje załączony do momentu naciśnięcia przycisku zasilania. Efekt płomienia musi być załączony w celu uruchomienia nagrzewnicy.</p>	<ol style="list-style-type: none"> 1. Naciśnij raz: Zmiana jasności efektu płomienia. 2. Naciskaj ponownie aż do uzyskaniażądanego ustawienia.
 <p>EMBER LIGHTS</p>	<p>Przycisk podświetlenia polan: Sprawia, że kolor na dole efektu się zmienia.</p> <p>UWAGA: Efekt koloru pozostaje aktywny do momentu naciśnięcia przycisku zasilania.</p> <p>UWAGA: Niniejszy kominek posiada funkcję zapamiętywania ustawień podświetlenia.</p>	<ol style="list-style-type: none"> 1. Naciśnij raz. Zmiana koloru podświetlenia. 2. Naciskaj ponownie aż do uzyskaniażądanego ustawienia. Dostępnych 10 kolorów. 3. Cykl automatyczny: Po naciśnięciu 11 razy, kolory podświetlenia będą zmieniać się automatycznie (UWAGA: zmiana kolorów trwa 15 sekund.)
 <p>EMBER BRIGHTNESS</p>	<p>Jasność podświetlenia: Zmiana jasności podświetlenia.</p> <p>UWAGA: Jasność podświetlenia pozostaje aktywna do momentu naciśnięcia przycisku zasilania.</p>	<ol style="list-style-type: none"> 1. Naciśnij raz. Zmiana jasności podświetlenia. 2. Naciskaj ponownie aż do uzyskaniażądanego ustawienia. Dostępnych 5 poziomów. <p>Od L1 - L2 - L3 - L4 - L5-L0 (OFF)</p>

UWAGA Podczas pierwszego uruchomienia nagrzewnicy może pojawić się delikatny zapach. Jest to normalne zjawisko i nie powinno się powtórzyć, chyba że nagrzewnica nie będzie używana przez dłuższy czas.

UWAGA Aby usprawnić działanie, **skieruj** pilota na przód kominka. **NIE naciskaj przycisków za szybko.** Oczekaj chwilę aż urządzenie zareaguje na poszczególne komendy.

Sterowanie ograniczeniem temperatury

Nagrzewnica wyposażona jest w sterowanie ograniczeniem temperatury. W przypadku osiągnięcia niebezpiecznie wysokiej temperatury, nagrzewnica wyłączy się. W celu przywrócenia pracy:

1. Odłącz przewód zasilający od gniazdka.
2. Przełącz przełącznik ON/OFF na PANELU STEROWANIA na OFF. **Odczekaj 5 minut.**
3. Sprawdź czy kratki wentylacyjne kominka nie są zakryte lub zatkane kurzem. W przypadku zatkania, użyj odkurzacza w celu ich oczyszczenia.
4. Z przełącznikiem ustawionym w pozycji OFF, ponownie podłącz przewód zasilający do gniazdka.
5. Jeżeli problem nie ustępuje, zleć sprawdzenie gniazdka i okablowania przez specjalistę.

Informacja o bateriach pilota

- Pilot zasilany jest jedną baterią **CR2025 (dołączona)**



NIGDY nie należy wrzucać baterii do **ognia**. Postępowanie niezgodne z tym wymogiem **może grozić wybuchem**. Zużyte baterie należy wrzucać do specjalnie oznakowanych pojemników lub przekazać do Punktu Selektywnej Zbiórki Odpadów Komunalnych.

Czyszczenie i konserwacja

Czyszczenie



Przed przystąpieniem do czyszczenia, konserwacji lub przenoszenia kominka, należy **ZAWSZE wyłączyć** nagrzewnicę i **odłączyć przewód zasilający z gniazdka**. Niezastosowanie się do tego wymogu może skutkować **porażeniem prądem, wzniesieniem ognia lub obrażeniami ciała**.



NIGDY nie zanurzaj urządzenia w wodzie ani nie spryskuj wodą. Takie postępowanie może skutkować **porażeniem prądem, wzniesieniem ognia lub obrażeniami ciała**.

Elementy metalowe:

- Polerować suchą ściereczką, delikatnie zwilżoną w preparacie czyszczącym na bazie olejków cytrusowych.
- **NIE** używać środków do polerowania miedzi lub domowych środków czyszczących, ponieważ produkty te uszkodzą metalowe wykończenie.

Elementy szklane:

- Stosować wysokiej jakości środek do mycia powierzchni szklanych, rozpylany na ściereczkę lub ręcznik. Osuszyć dokładnie ręcznikiem papierowym lub niestrzępiącą się ściereczką.
- **NIGDY** nie używać ściernych środków czyszczących, aerozoli lub innych produktów mogących zarysować powierzchnię.

Kratki wentylacyjne:

- Usunąć kurz i brud z nagrzewnicy i powierzchni kratki za pomocą odkurzacza lub ściereczki do kurzu.

Elementy z tworzywa:

- Przetrzeć delikatnie za pomocą ściereczki, lekko nawilżonej łagodnym roztworem płynu do naczyń i ciepłej wody.
- **NIGDY** nie używać ściernych środków czyszczących, aerozoli lub innych produktów mogących zarysować powierzchnię.

Konserwacja



Ryzyko porażenia prądem! NIE OTWIERAJ żadnych paneli! Urządzenie nie zawiera części przeznaczonych do samodzielnej naprawy!



Przed przystąpieniem do czyszczenia, konserwacji lub przenoszenia kominka, należy **ZAWSZE wyłączać** nagrzewnicę i **odłączać przewód zasilający z gniazdka**. Niezastosowanie się do tego wymogu może skutkować **porażeniem prądem, wzniesieniem ognia lub obrażeniami ciała**.

Elementy elektryczne i ruchome:

- Silniki wentylatorów zostały fabrycznie nasmarowane i nie wymagają późniejszego smarowania.
- Elementy elektryczne są zintegrowane w urządzeniu i nie są mogą być samodzielnie naprawiane.

Przechowywanie:

- Nieużywane urządzenie należy przechowywać w czystym, suchym miejscu.



OSTRZEŻENIE! Serwisowanie części wewnętrznych lub elektrycznych **NIE POWINNO** być wykonywane przez konsumenta. Nie naprawiaj urządzenia samodzielnie.



Dyrektywa WEEE

Znaczenie przekreślonego kosza na kółkach:

Nie wyrzucaj urządzeń elektrycznych jako nieposortowanych odpadów komunalnych, używaj oddzielnych punktów zbiórki. Skontaktuj się z lokalnymi władzami, aby uzyskać informacje na temat dostępnych systemów zbiórki. Jeśli urządzenia elektryczne zostaną zutylizowane na wysypiskach lub wysypiskach, niebezpieczne substancje mogą przedostać się do wód gruntowych i dostać się do łańcucha pokarmowego, powodując szkody dla zdrowia i dobrego samopoczucia.

Podczas wymiany starych urządzeń na nowe, sprzedawca jest prawnie zobowiązany do nieodpłatnego odebrania starego urządzenia do likwidacji.

Instrukcja łączenia aplikacji

1. Ściągnij aplikację

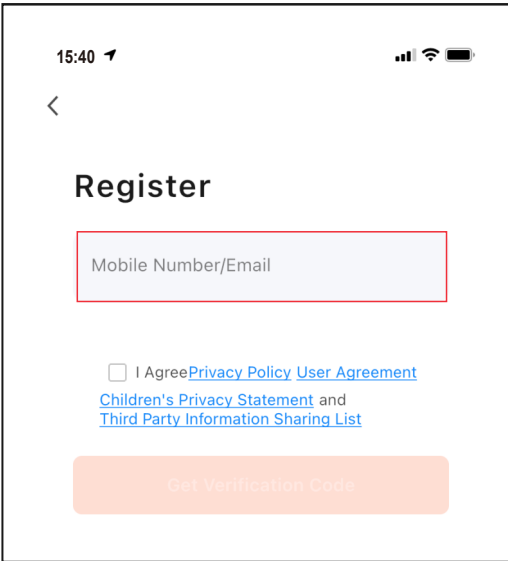
- Ściągnij "Tuya Smart" ze sklepu z aplikacjami.
- Zeskanuj kod QR.
- Włącz „GPS” na swoim urządzeniu mobilnym.



Uwaga: upewnij się, że Twój telefon komórkowy jest podłączony do najbliższego sygnału WIFI.

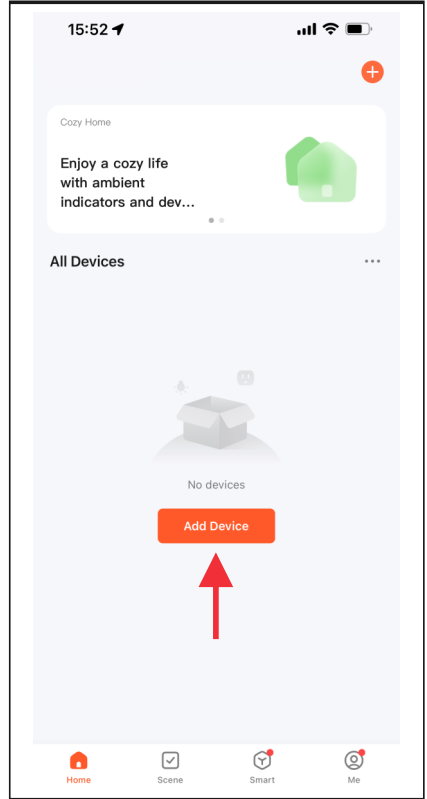
2. Logowanie

- Zarejestruj się, podając swój e-mail lub numer telefonu komórkowego jako nazwę użytkownika.
- Ustaw hasło do konta.



3. Dodaj urządzenie

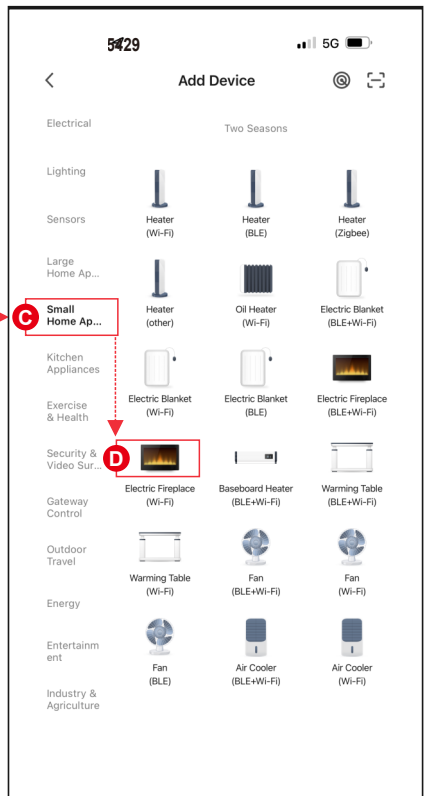
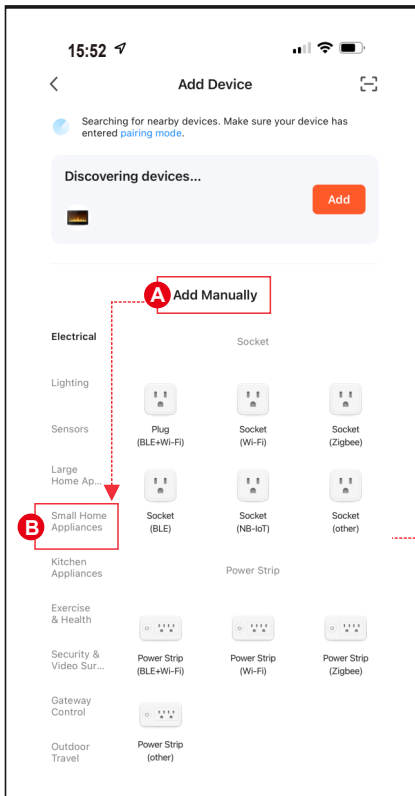
Po utworzeniu konta zaloguj się na nie i wybierz przycisk „Dodaj urządzenie”.




3. Dodaj urządzenie - ciąg dalszy

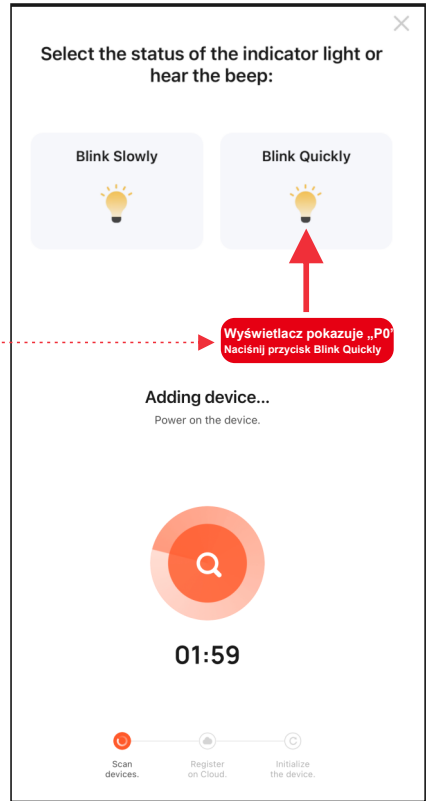
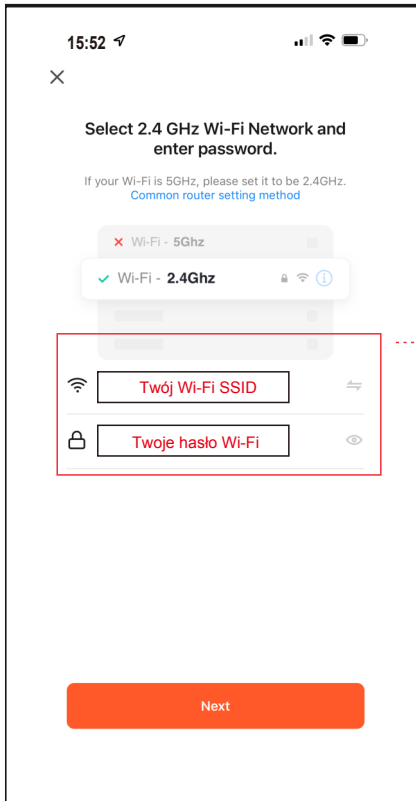
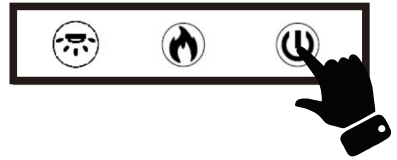
Istnieją trzy metody dodawania kominka elektrycznego.

- Metoda 1: Dodaj ręcznie w trybie „P0”. Wykonaj poniższe kroki A, B, C, D.
- Metoda 2: Dodaj ręcznie w trybie „P1”. Wykonaj poniższe kroki A, B, C, D.
- **Metoda 3: Dodaj przez Bluetooth. Przed dodaniem włącz Bluetooth w telefonie komórkowym. (Najlepszy sposób)**




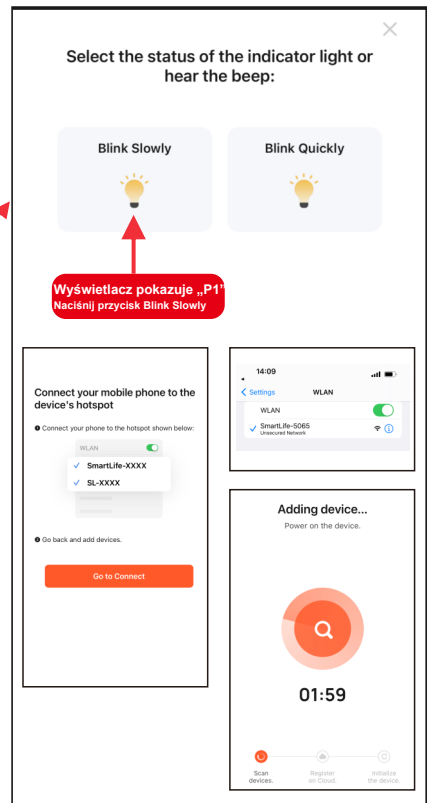
4. Metoda łączenia 1 - (P0)

- Naciśnij i przytrzymaj  na pilocie, a usłyszysz dźwięk „beep” z kominka.
- Wprowadź nazwę i hasło WIFI, a następnie naciśnij przycisk „Next”, aby sparować.
- Naciśnij przycisk **Blink Quickly**, urządzenie jest dodawane.

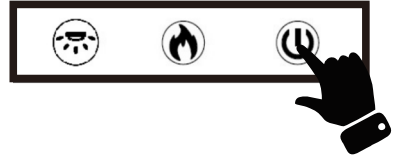



4. Metoda łączenia 2 - (P1)

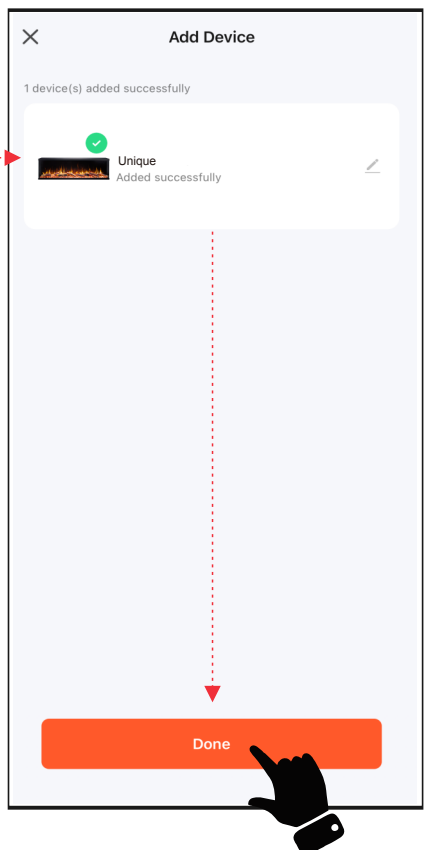
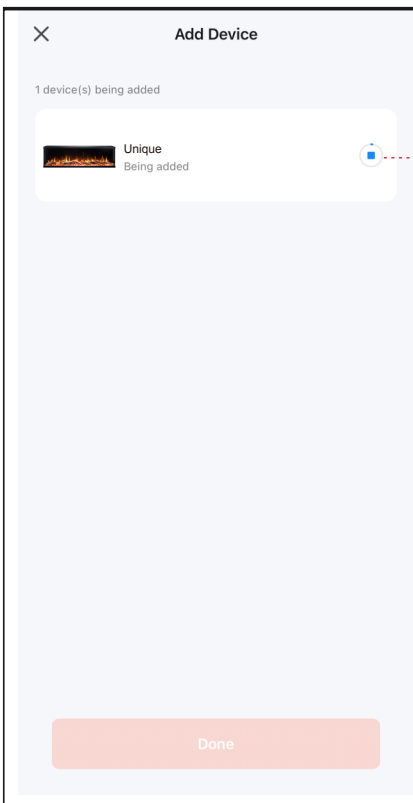
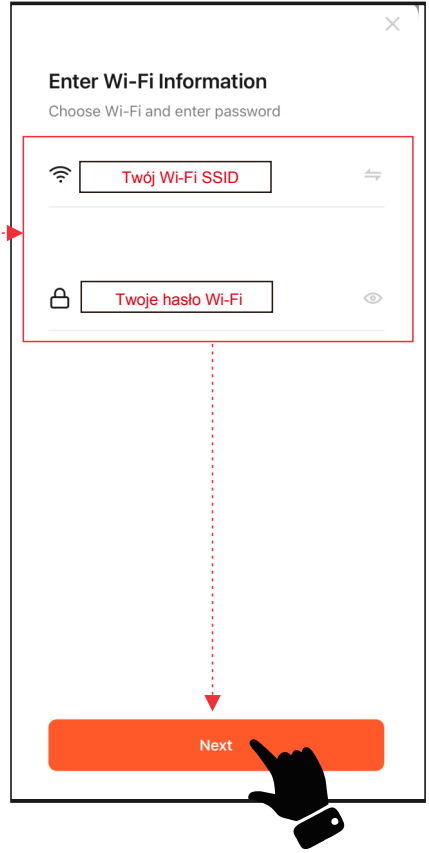
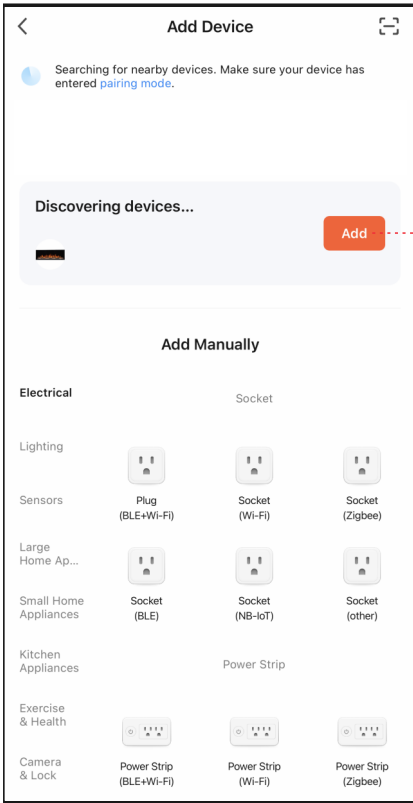
- Naciśnij i przytrzymaj  na pilocie, a usłyszysz dźwięk „beep” z kominka.
- Wprowadź nazwę i hasło WIFI i hasło, a następnie naciśnij przycisk „Next”, aby sparować.
- Naciśnij przycisk **Blink Slowly**. Następnie przejdź do połączenia telefonu komórkowego z hotspotem urządzenia.
- Wybierz hotspot urządzenia (**SmartLife-xxxx**), a następnie wróć do urządzenia. Trwa dodawanie urządzenia.



4. Metoda łączenia 3 - (Bluetooth)

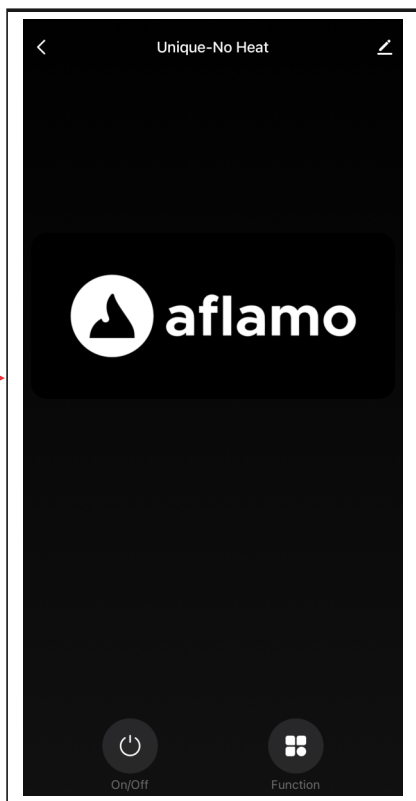
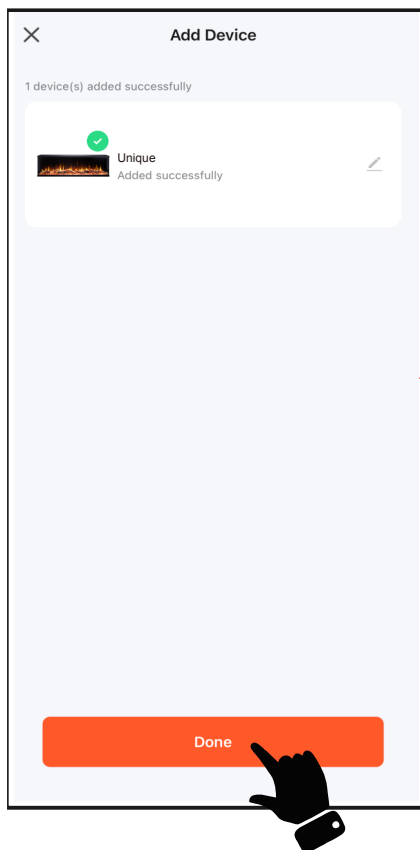


- Naciśnij i przytrzymaj  na pilocie, a usłyszysz dźwięk „beep” z kominka.
- Naciśnij **Add** gdy zobaczysz urządzenie o nazwie „Unique”.
- Wprowadź nazwę WIFI i hasło, a następnie naciśnij przycisk „Next”, aby sparować.

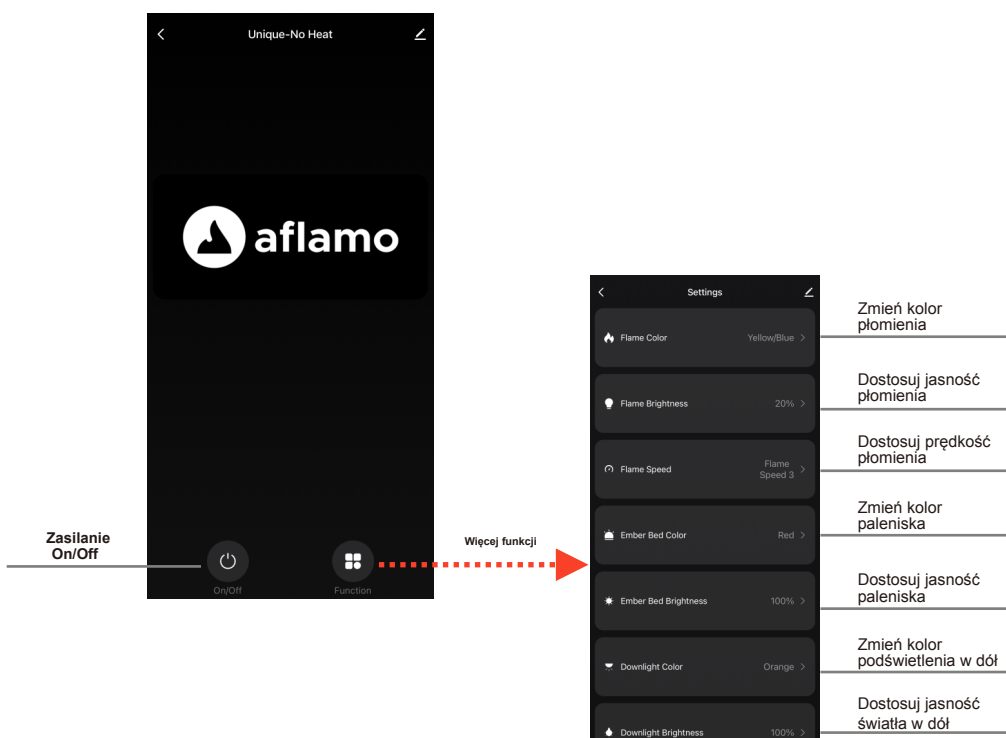


5. Zakończone

- Naciśnij **Done** aby zakończyć.

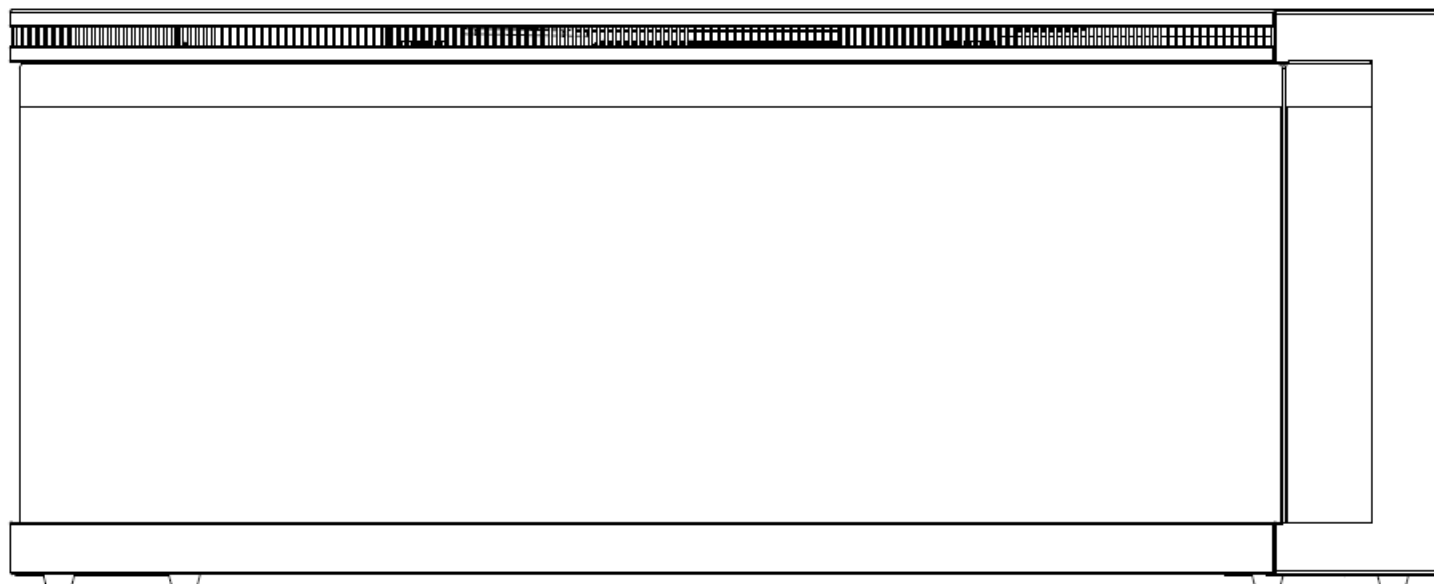


Instrukcja obsługi aplikacji



AFLAMO UNIQUE

Benutzerhandbuch



UNIQUE 107/127/153/166/183/254
Wandmontage / elektrischer Einbaukamin
AC 220V-240V 50Hz 1400-1600W

⚠️ WARNUNG

Bevor Sie das Gerät **anschließen** oder **benutzen**, **lesen** Sie genau das gesamte Benutzerhandbuch, einschließlich aller Sicherheitshinweise. Andernfalls kann es zu **Bränden, Stromschlägen oder schweren Verletzungen kommen.**

⚠️ ACHTUNG

Bewahren Sie dieses Handbuch auf, um es in der Zukunft zu verwenden. Wenn Sie das Gerät verkaufen oder übergeben, ist es wichtig, dass Sie dem **Gerät dieses Handbuch beilegen.**



WICHTIGE SICHERHEITSHINWEISE:

WARNUNG

Bei der Verwendung von elektrischen Geräten sind die grundlegenden Vorsichtsmaßnahmen zu beachten, um das Risiko von Bränden, elektrischen Schlägen und Verletzungen zu verringern, und folgende Punkte zu beachten:

- Lesen Sie alle Anweisungen, bevor Sie dieses Gerät verwenden.
- Das Gerät erwärmt sich während des Betriebs. Um Verbrennungen zu vermeiden, berühren Sie keine heißen Oberflächen. Verwenden Sie, falls vorhanden, Griffe, um das Gerät zu tragen. Halten Sie brennbare Materialien wie Möbel, Kissen, Bettwäsche, Dokumente, Kleidung und Vorhänge mindestens 1 Meter von der Vorderseite des Gerätes entfernt. Halten Sie alle diese Gegenstände von den Seiten und der Rückseite des Gerätes fern. Um Überhitzung zu vermeiden, bedecken Sie das Gerät nicht.
- Besondere Vorsicht ist geboten, wenn Sie das Heizgerät in der Nähe von Kindern oder Menschen mit Behinderungen benutzen und wenn es unbeaufsichtigt eingeschaltet bleibt.
- Trennen Sie das Gerät bei Nichtgebrauch vom Stromnetz.
- Schalten Sie das Gerät nicht ein, wenn das Netzkabel oder der Stecker beschädigt ist oder wenn das Gerät gestört ist, aus der Höhe fällt. Senden Sie das Gerät zur Inspektion, Einstellung oder Reparatur zum autorisierten Service.
- Das Gerät ist nur zum Gebrauch im Innenbereich bestimmt.
- Verwenden Sie das Gerät nicht in Badezimmern, Wäschereien oder ähnlichen Räumen. Stellen Sie das Gerät niemals an einen Ort, wo es in eine Badewanne oder einen anderen Wasserbehälter fallen kann.
- Verlegen Sie das Netzkabel nicht unter einem Teppichboden. Decken Sie das Netzkabel nicht mit Teppichen, Laufteppichen oder anderen Abdeckungen ab. Verlegen Sie das Kabel weg von häufig verwendeten Bereichen und vermeiden Sie Stolperfallen.
- Um das Gerät vom Stromnetz zu trennen, schalten Sie alle Leuchten auf "OFF" und ziehen Sie dann den Netzstecker aus der Steckdose.
- Stecken oder lassen Sie keine Gegenstände in die Lüftungsöffnungen oder Zuluftöffnungen, da dies zu Stromschlag, Feuer oder Beschädigung des Geräts führen kann.
- Um die Brandgefahr zu vermeiden, dürfen die Luftein- und -auslässe nicht blockiert werden. Verwenden Sie das Gerät nicht auf weichen Oberflächen wie z.B. Betten, wo Öffnungen blockiert werden können.
- Der Kamin hat Heizelemente drin, die Funken und Bögen erzeugen können. Verwenden Sie das Gerät nicht in Lagerräumen mit Benzin, Farbe oder anderen brennbaren Flüssigkeiten.
- Verwenden Sie den Kamin nur gemäß dieser Anleitung. Jede andere Verwendung, die vom Hersteller nicht empfohlen wird, kann zu Feuer, Stromschlag oder Verletzungen führen.
- **GEFAHR** - Bei unsachgemäßen Betriebsbedingungen können HOHE Temperaturen erzeugt werden. Decken Sie die Vorderseite des Heizgerätes ganz oder teilweise nicht ab.
- Die Lampen dürfen erst nach dem Trennen des Kamins von der Stromversorgung gewechselt werden.
- Dieses Gerät ist nicht für die Verwendung durch Personen (einschließlich Kinder) mit eingeschränkten körperlichen, geistigen oder sensorischen Fähigkeiten oder mangelnden angemessenen Kenntnissen oder Erfahrungen bestimmt, es sei denn, sie werden von einer für ihre Sicherheit verantwortlichen Person beaufsichtigt oder unterwiesen. Achten Sie darauf, dass Kinder nicht mit dem Gerät spielen.
- **ACHTUNG:** Um das Risiko eines versehentlichen Zurücksetzens der thermischen Überlastschalter zu vermeiden, darf der Wandkamin nicht an ein externes Schaltgerät, wie beispielsweise ein Programmiergerät, oder einen Schaltkreis mit zyklischem Ein- und Ausschalten angeschlossen werden.

Vorbereitung



Dieses Produkt ist mit einer **Glasplatte** ausgestattet! Seien Sie beim Umgang mit **Glas** immer besonders vorsichtig. Andernfalls kann es zu Personen- oder Sachschäden kommen.

Entfernen Sie alle Komponenten und Befestigungselemente aus dem Karton und legen Sie sie auf einen sauberen, weichen und trockenen Untergrund. Überprüfen Sie die Stückliste, um sicherzugehen, dass nichts fehlt. Entsorgen Sie das Verpackungsmaterial ordnungsgemäß. Wenn möglich, geben Sie Abfälle immer zur Wiederverwertung ab.

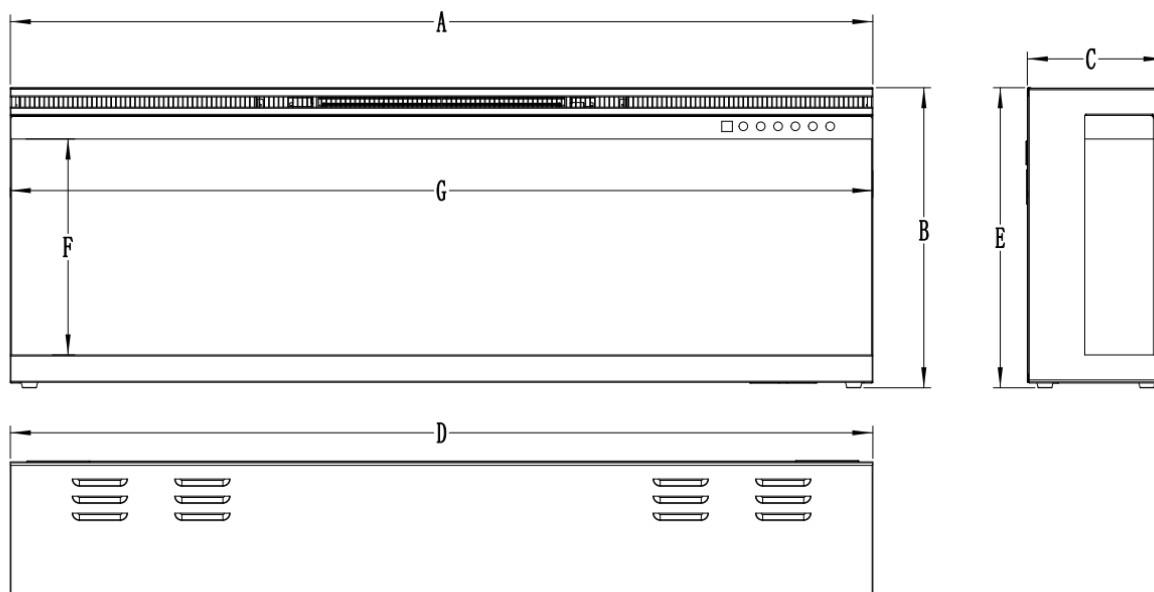
Folgende Werkzeuge werden benötigt (nicht im Lieferumfang enthalten):

Kreuzschlitzschraubendreher; Wasserwaage; Maß; Bohrer; Hammer.

Komponenten und Befestigungselemente

<p>A – Kamin</p>	<p>B-Holzschrauben</p>		<p>C- Anker</p>	
	<p>D-Fernbedienung</p>		<p>E-Feuerstellenbett</p>	
<p>F - Holzscheite</p>	<p>G-Kristalle - groß</p>	<p>H-Kristalle - klein</p>	<p>I-Wandhalterung Montiert auf der Rückseite des Gehäuses</p>	<p>J- „L“-Stütze</p>

Spezifikation und Dimension



PRODUKTABMESSUNGEN (mm)

Modellnummer	A	B	C	D	E	F	G
UNIQUE 107	1067	440	200	1067	440	316	1065
UNIQUE 127	1262	440	200	1262	440	316	1260
UNIQUE 153	1524	440	200	1524	440	316	1522
UNIQUE 166	1650	440	200	1650	440	316	1648
UNIQUE 183	1828	440	200	1828	440	316	1826
UNIQUE 254	2540	440	200	2540	440	316	2538

Montage und Installation

Das Gerät ist für die Montage an der Wand, im Einbausystem und/oder im Gehäuse bestimmt. Wählen Sie einen Ort, der für Feuchtigkeit nicht anfällig ist und sich nicht in der Nähe von Vorhängen, Möbeln und starkem Verkehr befindet.

ACHTUNG: Beachten Sie alle nationalen und lokalen Elektrovorschriften. In dem Lieferumfang mit der elektrischen Feuerstelle ist eine Speiseleitung enthalten. Die Anweisung für den festen Anschluss finden Sie in dem Abschnitt über die Montage des festen Anschlusses.

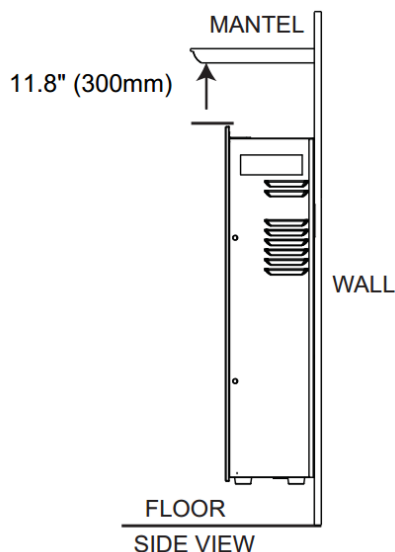
MINIMUM CLEARANCE TO COMBUSTIBLES

Measurements are taken from the glass front.			
Bottom	0"	Top	11.8" (300mm) to mantel
Sides	0"	Top	11.8" (300mm) to ceiling
Back	0"		

MINDESTABSTAND ZUM GEHÄUSE

ACHTUNG

BEI DER VERWENDUNG VON FARBEN ODER LACKEN ZUR FERTIGSTELLUNG DES GEHÄUSES MUSS DIE FARBE ODER DER LACK HITZEBESTÄNDIG SEIN, UM VERFÄRBUNGEN ZU VERMEIDEN.



Montage des festen Anschlusses in der Nische

ACHTUNG

VOR DEN ARBEITEN SCHALTEN SIE KOMPLETT DAS GERÄT AB UND WARTEN SIE, BIS ES ABGEKÜHLT IST. DIE WARTUNGS- UND REPARATURARBEITEN DÜRFEN NUR QUALIFIZIERTE PERSONEN DURCHFÜHREN.

Fester Anschluss

Bei einem festen Anschluss hat ein qualifizierter Elektriker zuerst die Speiseleitung abzutrennen und das Gerät direkt mit den Leitungen im Haus zu verbinden. **ACHTUNG: es ist ein Ausschalter von 15 amp (oder mehr) erforderlich.**

Bei einem festen Anschluss muss das Gerät gemäß den geltenden lokalen Vorschriften angeschlossen und geerdet sein. Fehlen dazu die lokalen Vorschriften, sind die Bestimmungen von NATIONAL ELECTRICAL CODE zu verwenden

Fig.A

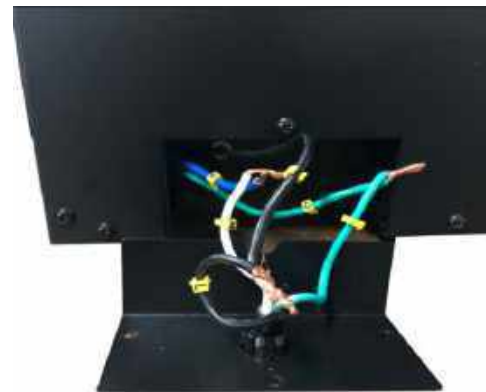
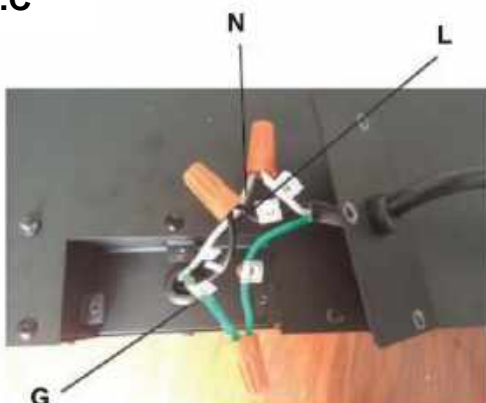


Fig.B

ZUERST IST DIE SPEISUNG VON DEM AUSSCHALTER ZU TRENNEN

- Drei Schrauben abschrauben, um die Abdeckung rechts am Boden des Gerätes abzumontieren, siehe oben (vgl. FIG. A).
- Den Übergang aus der Speiseleitung entfernen. Die Speiseleitung wird nicht mehr gebraucht (vgl. FIG. B).
- Eine Öffnung 7/8" (22,2 mm) in der neuen Abdeckung, die im Lieferumfang enthalten ist, ausführen. Den Übergang durch die Öffnung in der Abdeckung anschließen. Die Leitungen durch den Übergang führen.
- Mithilfe der Übergänge sind zu verbinden: grüne Erdungsleistungen (G), weiße Standardleitungen (N) und danach die schwarzen thermoelektrischen Leitungen (L) (vgl. FIG. C).
- Die Abdeckung mithilfe der drei Schrauben fixieren, siehe FIG. 4-1.

Fig.C



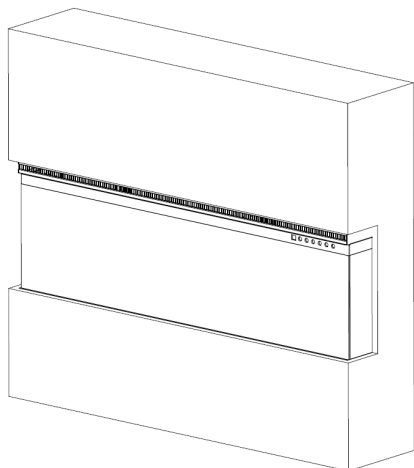
Abdeckung



Übergang

Montage

Es sind drei Varianten der Montage des Gerätes vorgesehen: **einseitig, zweiseitig und dreiseitig.**

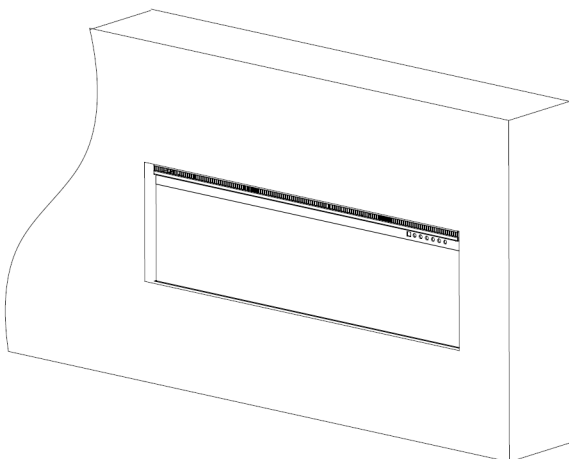
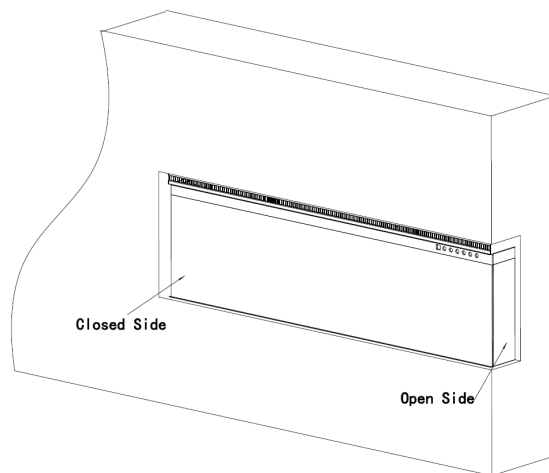


Dreiseitige Montage

- Die Glasscheibe ist von vorne, links und rechts sichtbar.
- Das Gerät ist vollständig in der Nische eingebaut, so dass beide Seite sichtbar sind.

Zweiseitige Montage

- Die Glasscheibe ist von vorne und links oder rechts sichtbar.
- Das Gerät ist vollständig in der Nische eingebaut, so dass eine Seite sichtbar ist.

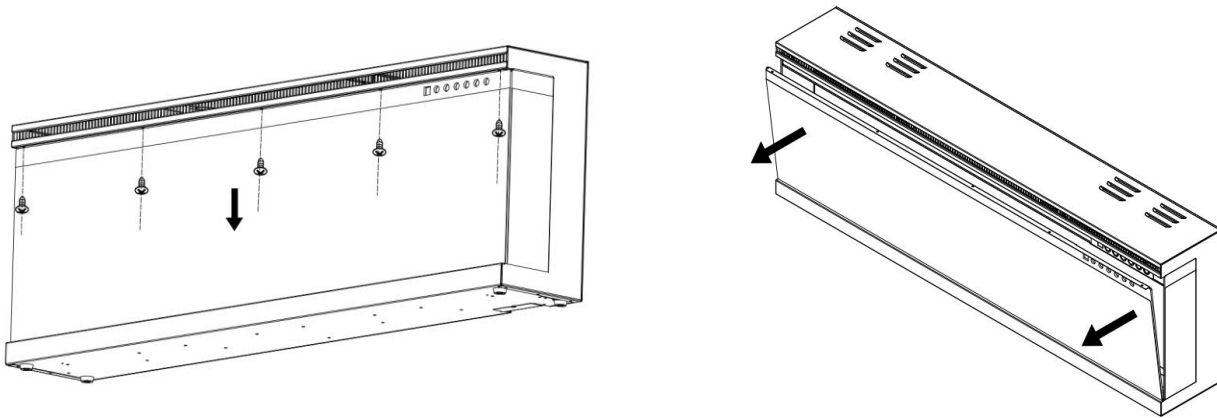


Einseitige Montage

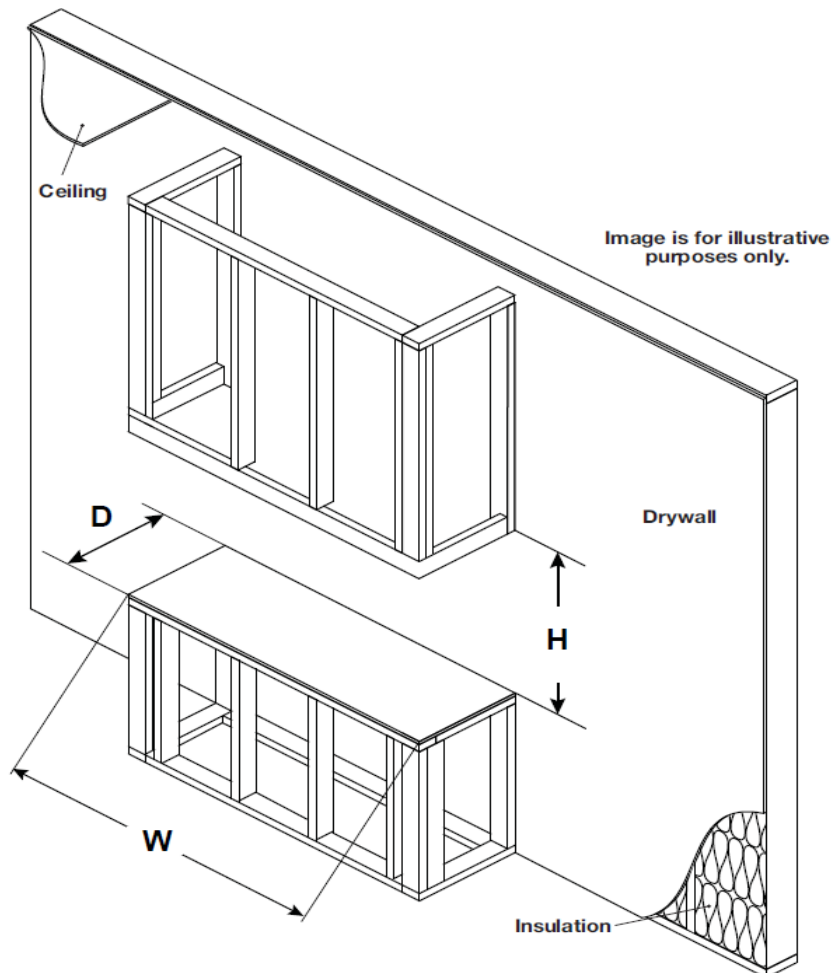
- Die Glasscheibe ist NUR von vorne sichtbar.
- Das Gerät ist vollständig in der Nische eingebaut.

Montage / Entfernung der Frontscheibe

- Alle Schrauben aus dem Glaspaneel entfernen.
- Das Frontpaneel nach vorne kippen. Für die Entfernung des Glaspaneels werden zwei Personen benötigt.
- Um das Frontpaneel zu montieren, sind obige Handlungen umgekehrt auszuführen.



Montage / Skelett



Achtung: Installieren Sie den Kamin so, dass er im Fehlerfall zu Servicezwecken von der Wand entfernt werden kann.

Modellnummer	W	D	H
UNIQUE 107	1067 (mm)	210 (mm)	443 (mm)
UNIQUE 127	1262 (mm)	210 (mm)	443 (mm)
UNIQUE 153	1524 (mm)	210 (mm)	443 (mm)
UNIQUE 166	1650 (mm)	210 (mm)	443 (mm)
UNIQUE 183	1828 (mm)	210 (mm)	443 (mm)
UNIQUE 254	2540 (mm)	210 (mm)	443 (mm)

Achtung:

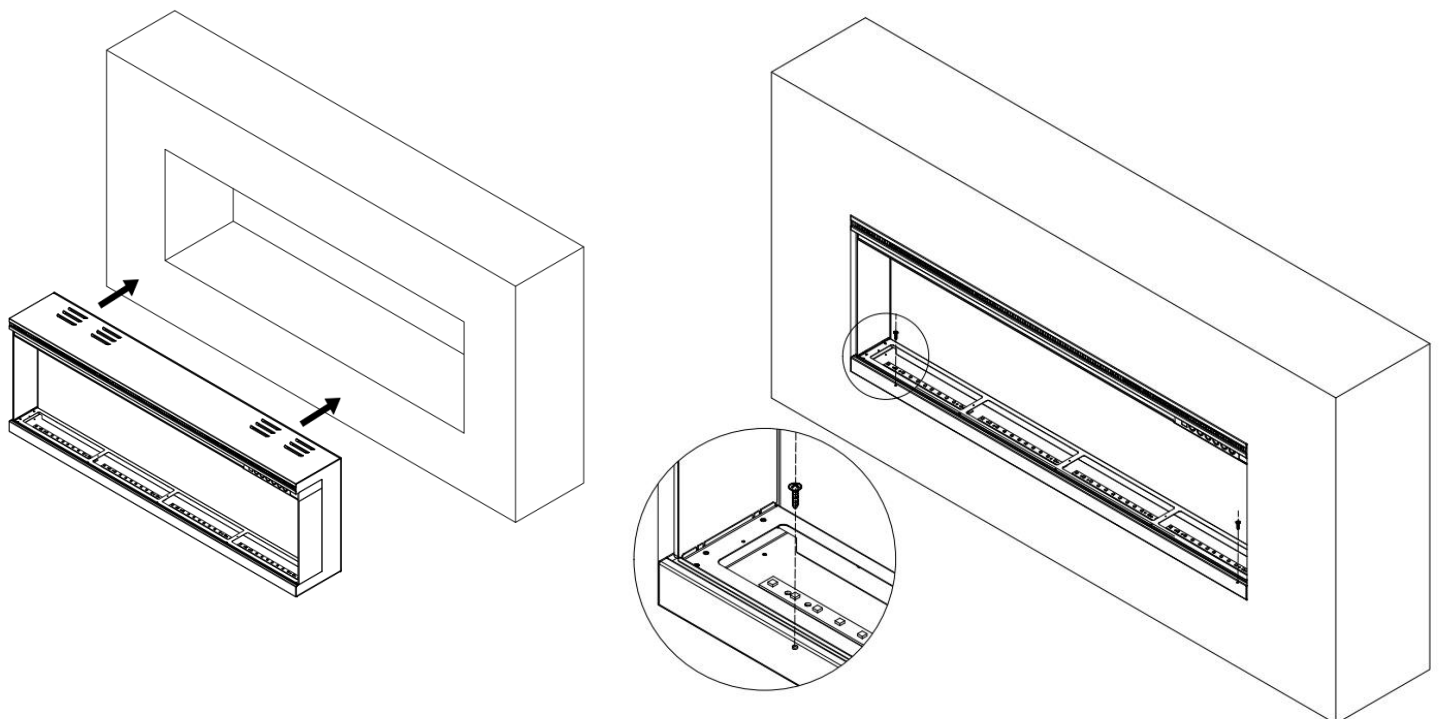
Das Gerät ist NICHT für die Haltung von großen Belastungen ausgelegt. Bei der Montage des Skeletts sind sorgfältig die Verkleidungsmaterialien zu wählen.

Gehen Sie sicher, dass die Montage gemäß der Bauvorschriften und –Normen erfolgt.

Für alle Montageoptionen gelten dieselben Anforderungen an das Skelett.

Achtung:

Bei dem vollständigen Einbau des Gerätes in die Wand ist die Feuerstelle unter Anwendung von kurzen Schrauben (B) **unter dem Feuerbett** zu montieren. Vgl. das Bild unten



WANDMONTAGE

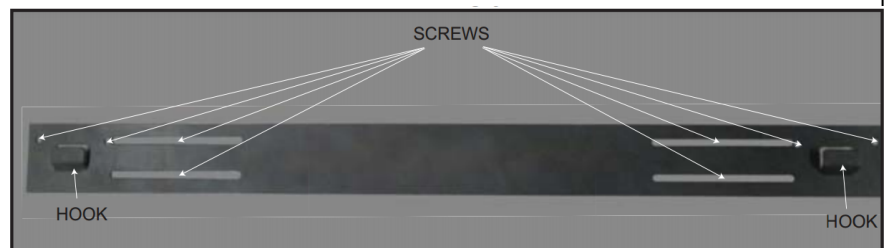
Aufgrund der vielen diversen Materialien, die an verschiedenen Wänden verwendet werden, ist es ratsam, vor der Installation dieses Gerätes an der Wand einen Fachmann zu konsultieren.

A. Wählen Sie einen Ort, der für Feuchtigkeit nicht anfällig ist und mindestens 100 cm von brennbaren Materialien wie Vorhängen, Möbeln, Bettwäsche, Papier usw. entfernt ist.

B. Um den endgültigen Standort zu bestimmen, benötigen Sie zwei Personen, die das Gerät halten.

C. Legen Sie das Gehäuse mit der Front auf eine weiche, nicht scheuernde Oberfläche. Entfernen Sie die Halterung an der Rückseite des Gerätes, indem Sie die Schrauben lösen, siehe Abbildung 1.

D. Markieren Sie die Position und befestigen Sie die Halterungen mit den mitgelieferten Schrauben an der Wand. Die Haken der Halterung MÜSSEN nach

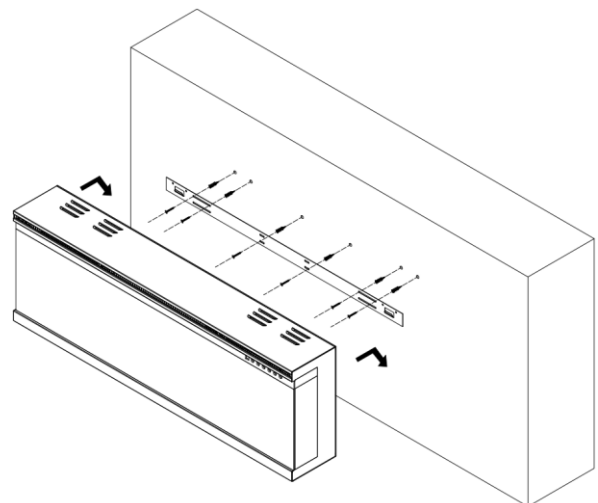
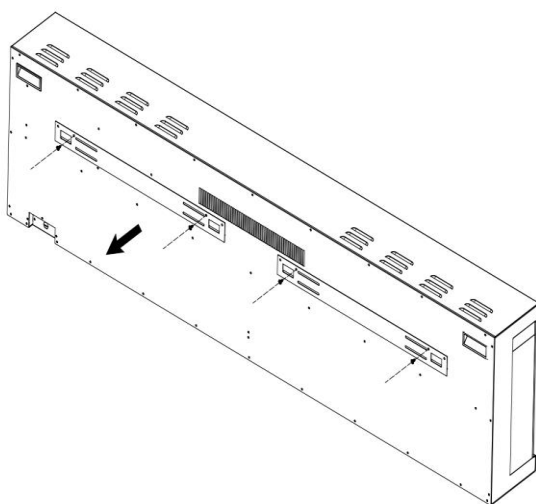


oben zeigen und die Halterung selbst muss eben sein.

ACHTUNG: Es wird dringend empfohlen, die Montagehalterung (E) nach Möglichkeit mit Dübeln zu verschrauben. Wenn Sie keine Wandschrauben verwenden können, stellen Sie sicher, dass die mitgelieferten Kunststoffanker zur Befestigung der Halterung an der Wand verwendet werden und die Halterung ordnungsgemäß befestigt ist.

E. Nach der Montage der Wandhalterung das Gerät mit Hilfe einer anderen Person anheben und die beiden Halterungshaken in die Öffnungen auf der Rückseite des Gerätes setzen.

F. Überprüfen Sie die Stabilität des Gerätes, indem Sie sich vergewissern, dass die Halterung nicht aus der Wand rutscht.



Montage der „L“-Stütze

A. Die silberne Schraube am Boden des Gerätes entfernen (**Fig. 1-1**). Die Schraube zur Seite legen.

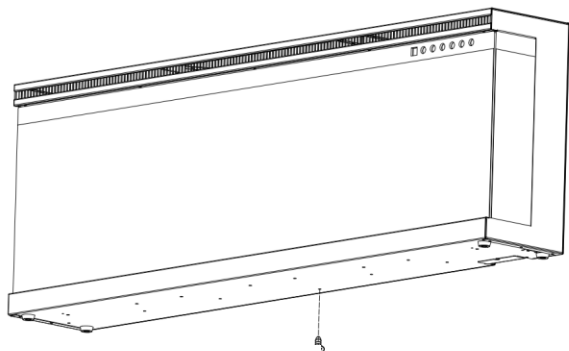


Fig 1-1

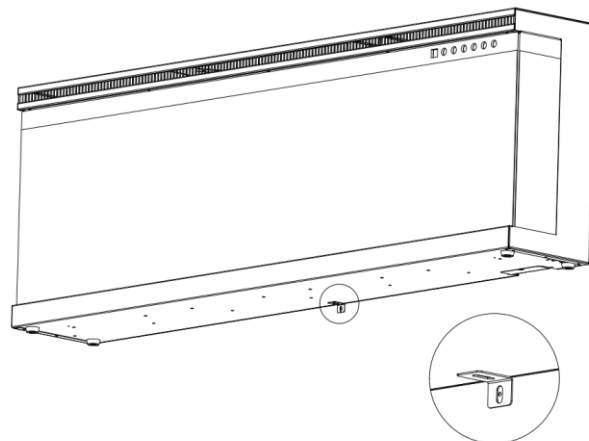


Fig 1-2

B. Mithilfe dieser Schraube ist die „L“-Stütze (**J**) am Boden der Feuerstelle zu montieren (**Fig 1-2**).

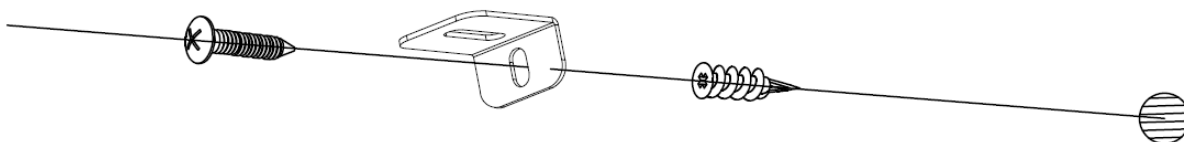


Fig 1-3

C. Den Kunststoffanker (**C**) in der trockenen Wand montieren, danach die längere Schraube (**B**) (im Lieferumfang enthalten) durch die Öffnung in der „L“-Stütze im Anker montieren, um die Feuerstelle an der Wand zu befestigen (**Fig 1-3**)

Montage der Klötze / Kristalle

ACHTUNG: Das Bett Ihren Wünschen entsprechend montieren.

A. Vor der Montage der Bettelemente sind die Glasscheibe und der Anker zu entfernen und das Gerät an der Zielstelle zu befestigen.

B. Das Bett (**E**) an der Stelle mit der matten Seite nach oben legen. Vorsichtig die Kristalle (**H**) unten am vorderen Teil des Gerätes verteilen, siehe Bild. Die Kristalle sind gleichmäßig zu verteilen.

Fig. 2-1, Fig. 2-2

C. Die großen Kristalle (**G**) auf beliebige Art und Weise auf den kleinen Kristallen verteilen. **Fig. 2-3**



Figure 2-1.



Figure 2-2.

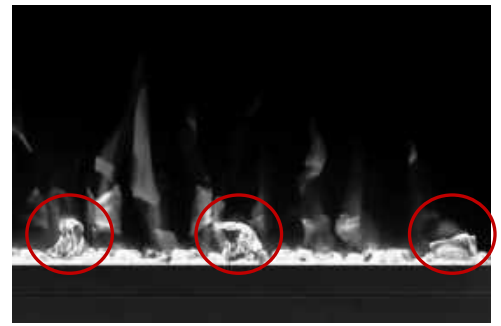


Figure 2-3.

Montage des optionalen Elementes - Klotz

Vorsichtig den Klötze-Set (**F**) an der in der Feuerstelle vorgesehenen Stelle legen. **Fig.3**



Klotz (Figure 3.)

Bedienung



Bevor Sie das Gerät anschließen oder in Betrieb nehmen, lesen Sie das gesamte Benutzerhandbuch genau durch, einschließlich aller Sicherheitshinweise. Andernfalls kann es zu Stromschlag, Feuer, schweren Verletzungen oder zum Tod kommen.

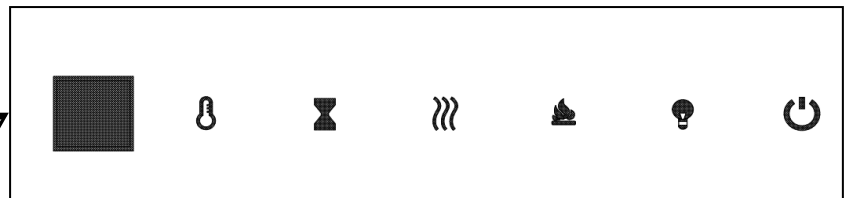
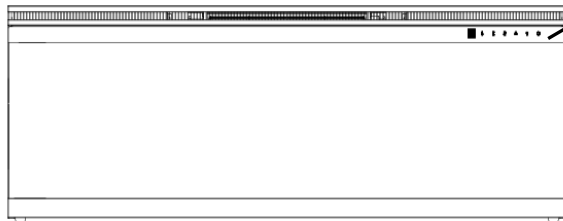
Stromanschluss

Schließen Sie das Netzkabel an eine 220-240-V-Steckdose an (siehe **WICHTIGE SICHERHEITSHINWEISE** auf Seiten 2 und 3). Vergewissern Sie sich, dass die Steckdose einwandfrei funktioniert und der Stecker nicht locker ist. Überschreiten Sie **NIEMALS** den zulässigen Strom für den Schaltkreis. Schließen Sie **KEINE** anderen Geräte an den gleichen Stromkreis an.

Bedienung



Der Kamin kann über ein TOUCHPANEL, das sich vorne am Kamin befindet, oder über eine batteriebetriebene Fernbedienung bedient werden.

Vor der Inbetriebnahme lesen Sie die **WICHTIGEN SICHERHEITSHINWEISE** auf Seiten 2 und 3 und folgen Sie ihnen.



Bedienblende


Bedienung der Bedienblende







TASTE	FUNKTION	BETRIEB UND SIGNALISIERUNG																																																				
 POWER	EIN: Aktiviert die Funktionen des Bedienfeldes und der Fernbedienung. Aktiviert den Flammeneffekt. AUS: Sperrt die Funktionen des Bedienfeldes und der Fernbedienung. Deaktiviert den Flammeneffekt.	<ol style="list-style-type: none"> Einmal drücken: Die Leuchte leuchtet auf. Die Spannung schaltet ein. Alle Funktionen aktiv. Noch einmal drücken: Flammeneffekt ausgeschaltet. Gerät im Stand-by-Modus. Alle Funktionen inaktiv. 																																																				
 TEMP	<ol style="list-style-type: none"> Einmal drücken: Die Kontrollleuchte leuchtet auf. Die Temperatur ändert auf 18 °C Nochmals drücken: bis die gewünschte Einstellung erreicht ist. Auf dem Display wird die Einstellung von der Tabelle angezeigt: <table border="1" data-bbox="269 1701 1503 1869"> <tbody> <tr> <td>NO</td> <td>0</td> <td>1</td> <td>2</td> <td>3</td> <td>4</td> <td>5</td> <td>6</td> <td>7</td> <td>8</td> <td>9</td> <td>10</td> <td>N</td> </tr> <tr> <td>°C</td> <td>20</td> <td>21</td> <td>22</td> <td>23</td> <td>24</td> <td>25</td> <td>26</td> <td>27</td> <td>28</td> <td>29</td> <td>30</td> <td>C</td> </tr> <tr> <td>°F</td> <td>68</td> <td>70</td> <td>72</td> <td>74</td> <td>76</td> <td>78</td> <td>80</td> <td>82</td> <td>84</td> <td>86</td> <td>88</td> <td>F</td> </tr> <tr> <td></td> <td>69</td> <td>71</td> <td>73</td> <td>75</td> <td>77</td> <td>79</td> <td>81</td> <td>83</td> <td>85</td> <td>87</td> <td></td> <td></td> </tr> </tbody> </table>	NO	0	1	2	3	4	5	6	7	8	9	10	N	°C	20	21	22	23	24	25	26	27	28	29	30	C	°F	68	70	72	74	76	78	80	82	84	86	88	F		69	71	73	75	77	79	81	83	85	87			<p>ACHTUNG: Die Taste drücken und 5 Sekunden lang gedrückt halten, die Skala wechselt von °C °F. Gleiches gilt bei der Änderung von °F auf °C.</p>
NO	0	1	2	3	4	5	6	7	8	9	10	N																																										
°C	20	21	22	23	24	25	26	27	28	29	30	C																																										
°F	68	70	72	74	76	78	80	82	84	86	88	F																																										
	69	71	73	75	77	79	81	83	85	87																																												


 TIMER	<p>Programmiergerät-Taste: Einstellung des Programmiergerätes zwecks Ausschalten des Kamins um eine bestimmte Uhrzeit. Einstellbereich von 0,5 bis 8 Stunden.</p>	<ol style="list-style-type: none"> Einmal drücken: Die Leuchte leuchtet auf. Programmiergerät auf 0,5 Stunde eingestellt. Weiterhin drücken, bis die gewünschte Einstellung erreicht ist. Die Kontrollleuchte zeigt die Einstellung an.
 HEATER	<p>HEIZELEMENT-TASTE Schaltet das Heizelement ein und aus. ACHTUNG: Um Überhitzung zu vermeiden, bläst der Lüfter des Heizelementes 10 Sekunden lang kühle Luft, bevor das Heizelement eingeschaltet und nachdem es ausgeschaltet wird.</p>	<ol style="list-style-type: none"> Einmal drücken. Die Kontrollleuchte leuchtet auf. Der Lüfter bläst 10 Sekunden lang kühle Luft. Das niedrige Niveau des Heizelementes schaltet ein und führt warme Luft zu. Noch einmal drücken. Die Kontrollleuchte leuchtet. Das hohe Niveau des Heizelementes schaltet ein und führt warme Luft zu. Noch einmal drücken. Das Heizelement schaltet aus. Der Lüfter bläst 10 Sekunden lang kühle Luft und ermöglicht die Abkühlung des Heizelementes, das anschließend ausschaltet.
 FLAME COLOR	<p>FARB-Taste: Änderung der Farbe des Flammeneffekts. ACHTUNG: Der Farbeffekt bleibt aktiv, bis die Power-Taste gedrückt wird. Der Farbeffekt für die Flamme muss eingeschaltet sein, um das Heizelement zu starten.</p>	<ol style="list-style-type: none"> Einmal drücken: Änderung der Flammenfarbe. Nochmals drücken, bis die gewünschte Einstellung erreicht ist. Drei Farben verfügbar.
 FLAME BRIGHTNESS	<p>Flammen-TASTE: Einstellung der Flammenhelligkeit. ACHTUNG: Der Flammeneffekt bleibt an, bis die Power-Taste gedrückt wird. Der Flammeneffekt muss eingeschaltet sein, um das Heizelement zu starten.</p>	<ol style="list-style-type: none"> Einmal drücken: Änderung der Helligkeit des Flammeneffekts. Nochmals drücken, bis die gewünschte Einstellung erreicht ist.



Bedienung der Fernsteuerung

TASTE	FUNKTION	BETRIEB UND SIGNALISIERUNG
 POWER	<p>EIN: Aktiviert die Funktionen des Bedienfeldes und der Fernbedienung. Aktiviert den Flammeneffekt. AUS: Sperrt die Funktionen des Bedienfeldes und der Fernbedienung. Deaktiviert den Flammeneffekt.</p>	<ol style="list-style-type: none"> Einmal drücken: Die Leuchte leuchtet auf. Die Spannung schaltet ein. Alle Funktionen aktiv. Noch einmal drücken: Flammeneffekt ausgeschaltet. Gerät im Stand-by-Modus. Alle Funktionen inaktiv.

 TEMP	<p>1. Einmal drücken: Die Kontrollleuchte leuchtet auf.</p> <p>2. Nochmals drücken: bis die gewünschte Einstellung erreicht ist. Auf dem Display wird die Einstellung von der Tabelle angezeigt:</p> <table border="1" data-bbox="277 258 1511 426"> <tr> <td>NO</td> <td>0</td> <td>1</td> <td>2</td> <td>3</td> <td>4</td> <td>5</td> <td>6</td> <td>7</td> <td>8</td> <td>9</td> <td>10</td> <td>N</td> </tr> <tr> <td>°C</td> <td>20</td> <td>21</td> <td>22</td> <td>23</td> <td>24</td> <td>25</td> <td>26</td> <td>27</td> <td>28</td> <td>29</td> <td>30</td> <td>C</td> </tr> <tr> <td>°F</td> <td>68</td> <td>70</td> <td>72</td> <td>74</td> <td>76</td> <td>78</td> <td>80</td> <td>82</td> <td>84</td> <td>86</td> <td>88</td> <td>F</td> </tr> <tr> <td></td> <td>69</td> <td>71</td> <td>73</td> <td>75</td> <td>77</td> <td>79</td> <td>81</td> <td>83</td> <td>85</td> <td>87</td> <td></td> <td></td> </tr> </table> <p>ACHTUNG: Die Taste drücken und 5 Sekunden lang gedrückt halten, die Skala wechselt von °C °F. Gleiches gilt bei der Änderung von °F auf °C.</p>		NO	0	1	2	3	4	5	6	7	8	9	10	N	°C	20	21	22	23	24	25	26	27	28	29	30	C	°F	68	70	72	74	76	78	80	82	84	86	88	F		69	71	73	75	77	79	81	83	85	87		
NO	0	1	2	3	4	5	6	7	8	9	10	N																																										
°C	20	21	22	23	24	25	26	27	28	29	30	C																																										
°F	68	70	72	74	76	78	80	82	84	86	88	F																																										
	69	71	73	75	77	79	81	83	85	87																																												
 TIMER	<p>Programmiergerät-Taste: Einstellung des Programmiergerätes zwecks Ausschalten des Kamins um eine bestimmte Uhrzeit. Einstellbereich von 0,5 bis 8 Stunden.</p>	<p>1. Einmal drücken: Die Leuchte leuchtet auf. Programmiergerät auf 0,5 Stunde eingestellt.</p> <p>2. Weiterhin drücken, bis die gewünschte Einstellung erreicht ist. Die Kontrollleuchte zeigt die Einstellung an.</p>																																																				
 SPEED	<p>Geschwindigkeit des Effekts: Änderung der Geschwindigkeit des Flammeneffekts. Es gibt 3 Stufen der Geschwindigkeit: 01 (langsam), 02 (mittel schnell), 03 (schnell).</p>	<p>1. Einmal drücken. Die Leuchte leuchtet auf. Die Geschwindigkeit wird geändert</p> <p>2. Nochmals drücken bis die gewünschte Einstellung erreicht ist. Standardwert 03.</p>																																																				
 FLAME COLOR	<p>FARB-Taste: Änderung der Farbe des Flammeneffekts. ACHTUNG: Der Farbeffekt bleibt aktiv, bis die Power-Taste gedrückt wird. Der Farbeffekt für die Flamme muss eingeschaltet sein, um das Heizelement zu starten.</p>	<p>1. Einmal drücken: Änderung der Flammenfarbe.</p> <p>2. Nochmals drücken, bis die gewünschte Einstellung erreicht ist. 6 Farben verfügbar.</p>																																																				
 FLAME BRIGHTNESS	<p>Flammen-TASTE: Einstellung der Flammenhelligkeit. ACHTUNG: Der Flammeneffekt bleibt an, bis die Power-Taste gedrückt wird. Der Flammeneffekt muss eingeschaltet sein, um das Heizelement zu starten.</p>	<p>1. Einmal drücken: Änderung der Helligkeit des Flammeneffekts.</p> <p>2. Nochmals drücken, bis die gewünschte Einstellung erreicht ist.</p>																																																				
 EMBER LIGHTS	<p>Beleuchtungstaste für Holzscheite Lässt die Farbe am unteren Rand des Effekts ändern. ACHTUNG: Der Farbeffekt bleibt aktiv, bis die Power-Taste gedrückt wird. ACHTUNG: Dieser Kamin kann die Einstellungen der Beleuchtung speichern..</p>	<p>1. Einmal drücken. Änderung der Beleuchtungsfarbe.</p> <p>2. Nochmals drücken, bis die gewünschte Einstellung erreicht ist. Erhältlich in 10 Farben.</p> <p>3. Automatischer Zyklus: 11 mal drücken und die Farben der Beleuchtung ändern sich automatisch HINWEIS: Die Farben ändern sich alle 15 Sekunden.)</p>																																																				

 <p>EMBER BRIGHTNESS</p>	<p>Helligkeit der Beleuchtung Änderung der Beleuchtung.</p> <p>ACHTUNG: Die Helligkeit der Beleuchtung bleibt aktiv, bis die Power-Taste gedrückt wird.</p>	<ol style="list-style-type: none"> 1. Einmal drücken. Änderung der Beleuchtung. 2. Weiterhin drücken, bis die gewünschte Einstellung erreicht ist. Erhältlich in 5 Stufen. <p>Ab L1 - L2 - L3 - L4 - L5-L0 (OFF)</p>
--	---	---

ACHTUNG Bei der ersten Inbetriebnahme des Heizelements kann ein leichter Geruch auftreten. Es ist normal und sollte nicht mehr vorkommen, es sei denn, das Heizelement wird längere Zeit nicht benutzt.

ACHTUNG Um die Leistung zu verbessern, die Fernbedienung auf die Vorderseite des Kamins richten. **Die Tasten NICHT zu schnell drücken.** Einen Moment warten, bis das Gerät auf die Befehle reagiert.


Steuerung der Temperaturbegrenzung

Das Heizelement ist mit einer Temperaturbegrenzersteuerung ausgestattet. Wenn eine gefährlich hohe Temperatur erreicht wird, schaltet das Heizgerät aus. Um den Betrieb wieder zu aktivieren:

1. Das Netzkabel aus der Steckdose ziehe
2. Den ON/OFF-Schalter am Bedienfeld auf OFF umschalten. 5 Minuten abwarten
3. Überprüfen, ob die Lüftungsgitter des Kamins nicht abgedeckt oder mit Staub verstopft sind. Wenn die Gitter verstopft sind, diese mit einem Staubsauger reinigen.
4. Wenn der Schalter auf OFF steht, das Netzkabel wieder in die Steckdose stecke
5. Wenn das Problem weiterhin besteht, die Steckdose und die Verkabelung von einem Fachmann überprüfen lassen.

Informationen zu Batterien der Fernbedienung

- Die Fernbedienung verwendet eine CR2025 Batterie (im Lieferumfang enthalten).

 Entsorgen Sie die Batterien NIEMALS ins Feuer. Andernfalls kann es zu einer Explosion kommen. Altbatterien sollten in speziell gekennzeichneten Behältern entsorgt oder an die Sammelstelle für kommunale Abfälle abgegeben werden.

Reinigung und Wartung

Reinigung



Vor Reinigung, Wartung oder Umstellung des Kamins, das Heizelement **IMMER ausschalten** und den **Netzstecker aus der Steckdose ziehen**. Andernfalls kann es zu Stromschlag, Feuer oder Verletzungen kommen.



Das Gerät **NIEMALS in Wasser tauchen oder mit Wasser besprühen**. Andernfalls kann es zu Stromschlag, Feuer oder Verletzungen kommen.

Metallteile:

- Mit trockenem Tuch, sanft mit einem Reiniger auf Zitrusölbasis angefeuchtet, polieren.
- **KEINE** Messingpolier- oder Haushaltsreiniger verwenden, da diese die Metalloberfläche beschädigen könnten.

Glaselemente:

- Hochwertigen Glasflächenreiniger verwenden. Den Reiniger auf ein Tuch oder Handtuch sprühen. Mit einem Papiertuch oder einem fusselfreien Tuch gründlich trocknen.
- **NIEMALS** scheuernde Reinigungsmittel, Aerosole oder andere Produkte verwenden, die die Oberfläche verkratzen können.

Lüftungsgitter:

- Staub und Schmutz aus dem Heizelement und Grillflächen mit einem Staubsauger oder Staubtuch entfernen.

Kunststoffelemente:

- Vorsichtig mit einem Tuch abwischen. Das Tuch mit einer milden Lösung aus Geschirrspülmittel und warmem Wasser leicht anfeuchten.
- **NIEMALS** scheuernde Reinigungsmittel, Aerosole oder andere Produkte verwenden, die die Oberfläche verkratzen können.

Wartung



Gefahr eines Stromschlags! KEINE Platten öffnen! Das Gerät enthält keine Teile zur Selbstreparatur!



Vor Reinigung, Wartung oder Umstellung des Kamins, das Heizelement **IMMER ausschalten** und den **Netzstecker aus der Steckdose ziehen**. Andernfalls kann es zu Stromschlag, Feuer oder Verletzungen kommen.

Elektrische und bewegliche Teile:

- Die Lüftermotoren sind werkseitig geschmiert und müssen nicht nachgeschmiert werden.
- Elektrische Komponenten sind im Gerät integriert und können selbst nicht repariert werden.

Lagerung:

Bewahren Sie das Gerät bei Nichtgebrauch an einem sauberen, trockenen Ort auf.



WARNUNG! Interne elektrische Komponenten sind **NICHT** zur Selbstreparatur durch den Benutzer bestimmt.



WEEE:

Entsorgung und Recycling:

Entsorgen Sie dieses Gerät nicht in den gewöhnlichen, unsortierten Hausmüll. Verwenden Sie spezielle Sammelstellen. Wenden Sie sich an Ihre örtlichen Behörden, um Informationen über die verfügbaren Sammelsysteme zu erhalten. Wenn Sie Elektrogeräte auf Deponien oder Abfallplätzen entsorgen, können gefährliche Stoffe in das Grundwasser und die Nahrungskette gelangen, was sich negativ auf Ihre Gesundheit und Ihr Wohlbefinden auswirken kann.

Wenn Sie alte durch neue Geräte ersetzen, ist der Händler gesetzlich verpflichtet, Ihre alten Geräte zur Entsorgung kostenlos zurückzunehmen.

Anweisungen zur Anwendungsverknüpfung

1. Laden Sie die App herunter

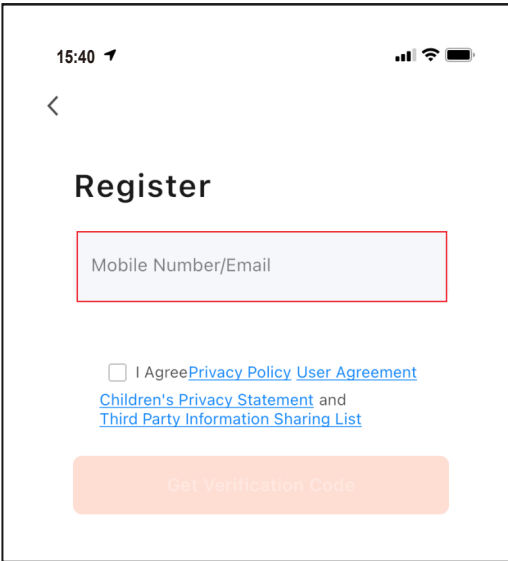
- Laden Sie „Tuya Smart“ aus dem App Store herunter.
- Scannen Sie den QR-Code.
- Schalten Sie „GPS“ auf Ihrem Mobilgerät ein.



Hinweis: Bitte stellen Sie sicher, dass Ihr Mobiltelefon mit dem nächstgelegenen WLAN-Signal verbunden ist.

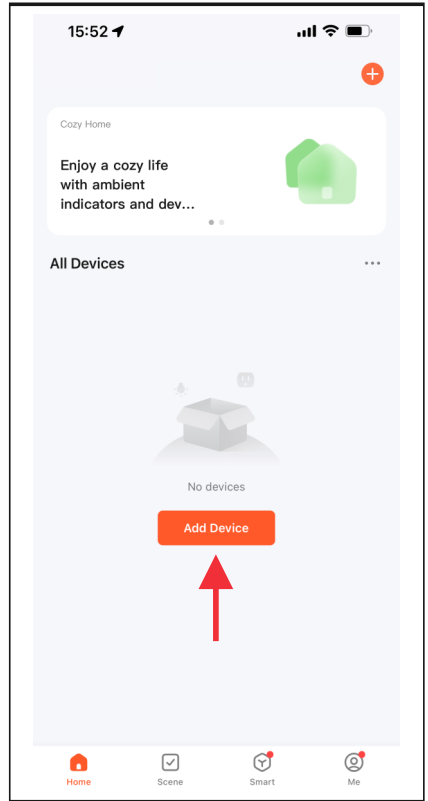
2. Anmeldung

- Melden Sie sich mit Ihrer E-Mail-Adresse oder Handynummer als Benutzernamen an.
- Legen Sie Ihr Kontopasswort fest.



3. Gerät hinzufügen

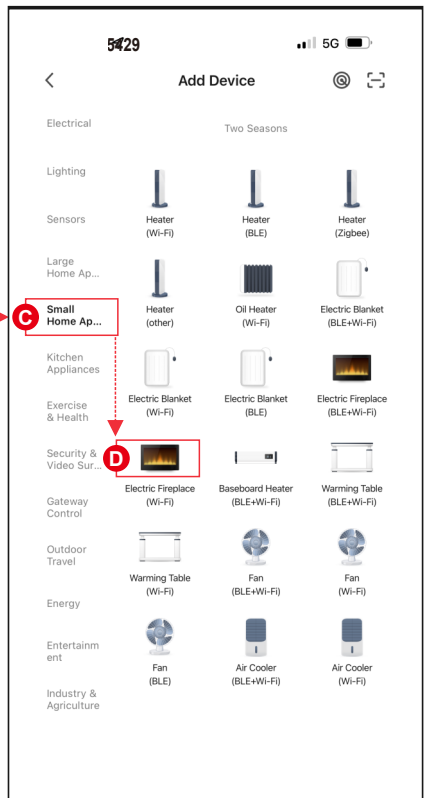
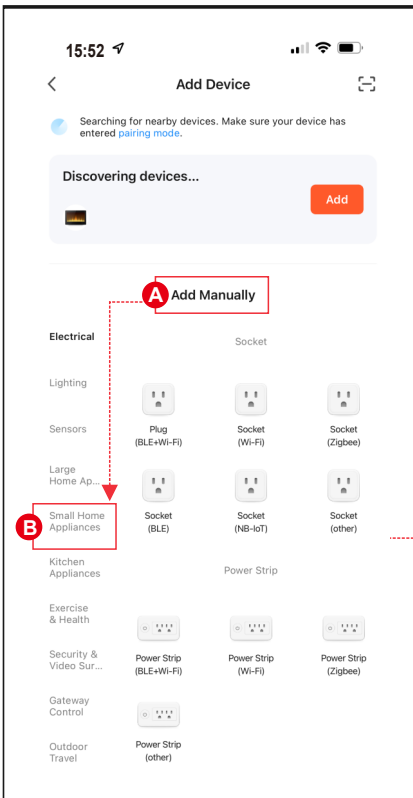
Nachdem Sie ein Konto erstellt haben, melden Sie sich an und wählen Sie die Schaltfläche „Gerät hinzufügen“.



3. Gerät hinzufügen – Fortsetzung

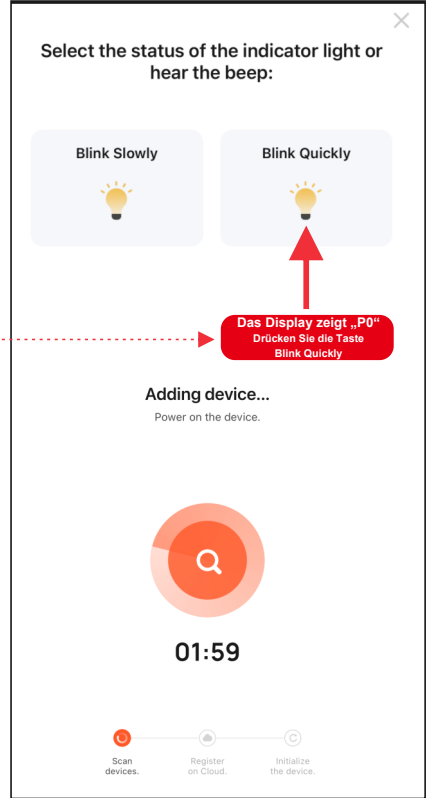
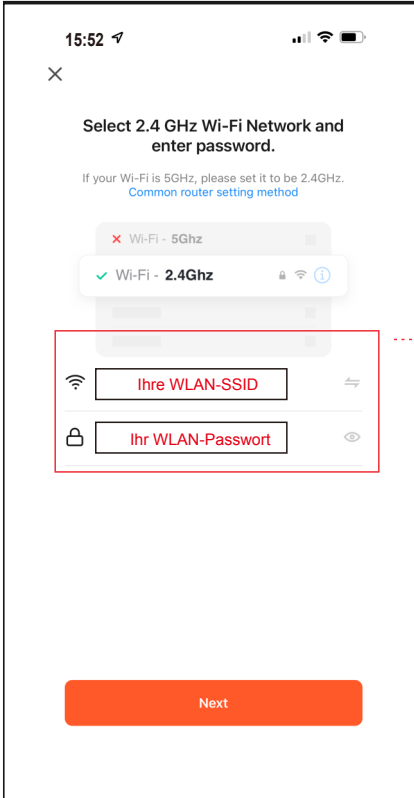
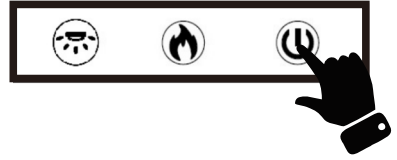
Es gibt drei Methoden, einen elektrischen Kamin hinzuzufügen.

- Methode 1: Manuell im Modus „P0“ hinzufügen. Befolgen Sie die Schritte A, B, C, D unten.
- Methode 2: Manuell im Modus „P1“ hinzufügen. Befolgen Sie die Schritte A, B, C, D unten.
- Methode 3: Über Bluetooth hinzufügen. Schalten Sie Bluetooth auf Ihrem Mobiltelefon ein, bevor Sie es hinzufügen. (Der beste Weg)



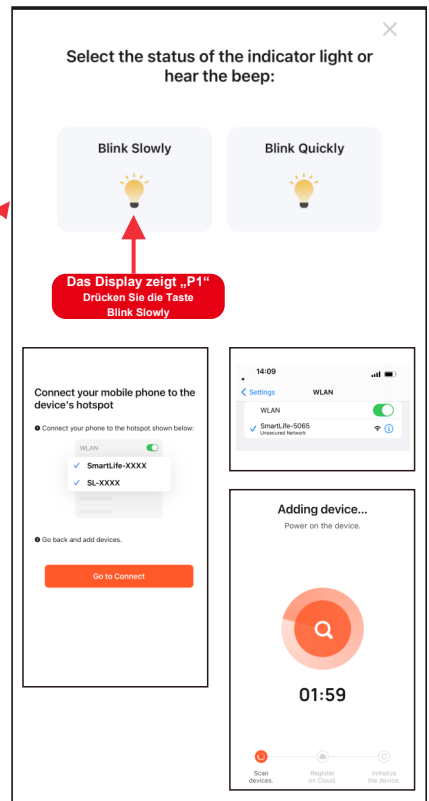
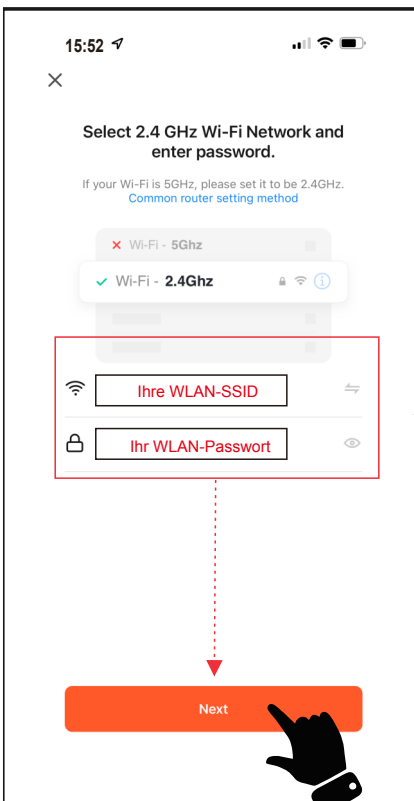
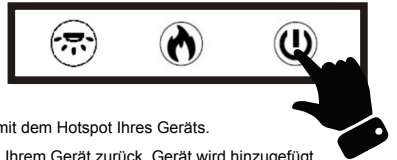
4. Verbindungsmethode 1 - (P0)

- Halten Sie **U** auf der Fernbedienung gedrückt und Sie hören einen „Piepton“ vom Kamin.
- Geben Sie den WLAN-Namen und das Passwort ein und drücken Sie dann zum Koppeln auf „Next“.
- Drücken Sie die Taste **Blink Quickly**, das Gerät wird hinzugefügt.





4. Verbindungsmethode 2 – (P1)

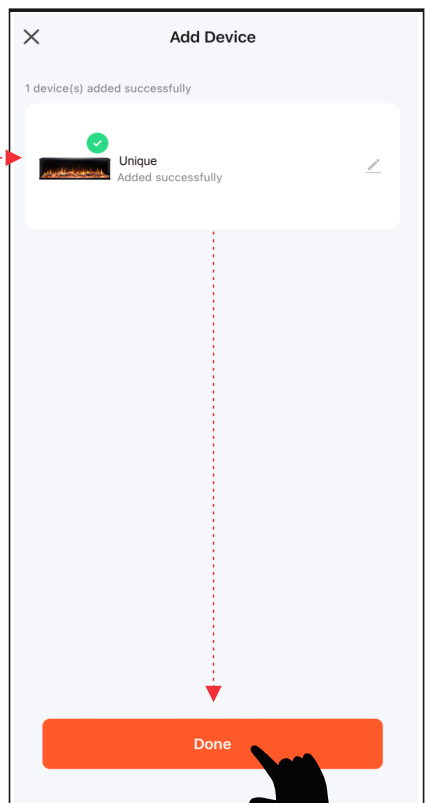
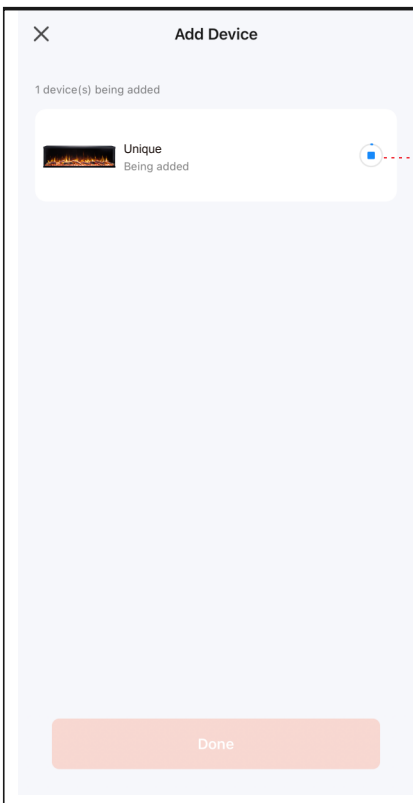
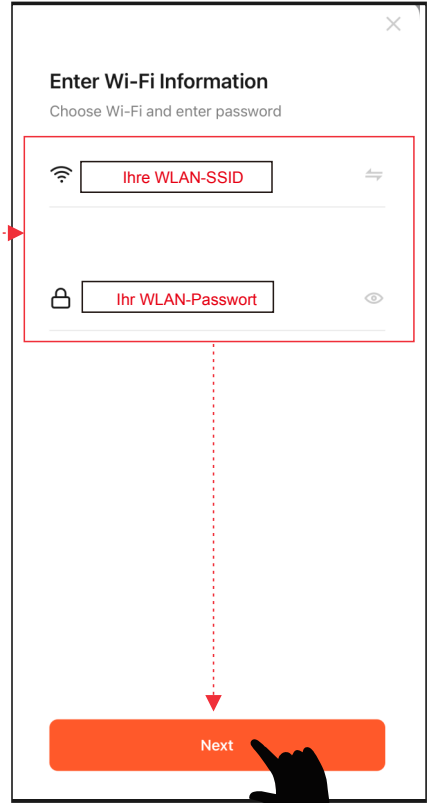
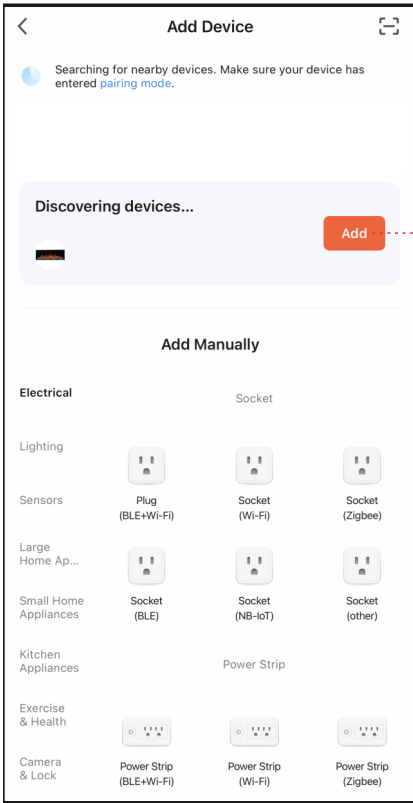
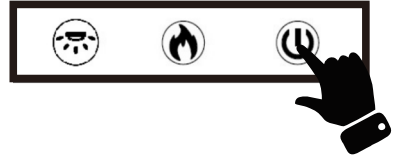
- Halten Sie **U** auf der Fernbedienung gedrückt und Sie hören einen „Piepton“ vom Kamin.
- Geben Sie den WLAN-Namen und das Passwort ein und drücken Sie dann zum Koppeln auf „Next“.
- Drücken Sie die Taste **Blink Slowly**. Anschließend verbinden Sie Ihr Mobiltelefon mit dem Hotspot Ihres Geräts.
- Wählen Sie den Hotspot Ihres Geräts (**SmartLife-xxxx**) aus und kehren Sie dann zu Ihrem Gerät zurück. Gerät wird hinzugefügt.



4. Verbindungsmethode 3 – (Bluetooth)

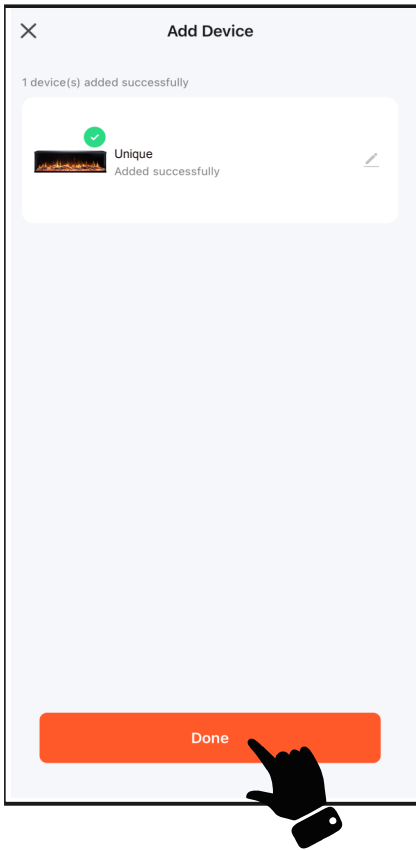


- Halten Sie  auf der Fernbedienung gedrückt und Sie hören einen „Pepton“ vom Kamin.
- Drücken Sie , wenn Sie ein Gerät mit dem Namen „Unique“ sehen.
- Geben Sie den WLAN-Namen und das Passwort ein und drücken Sie dann zum Koppeln auf „Next“.

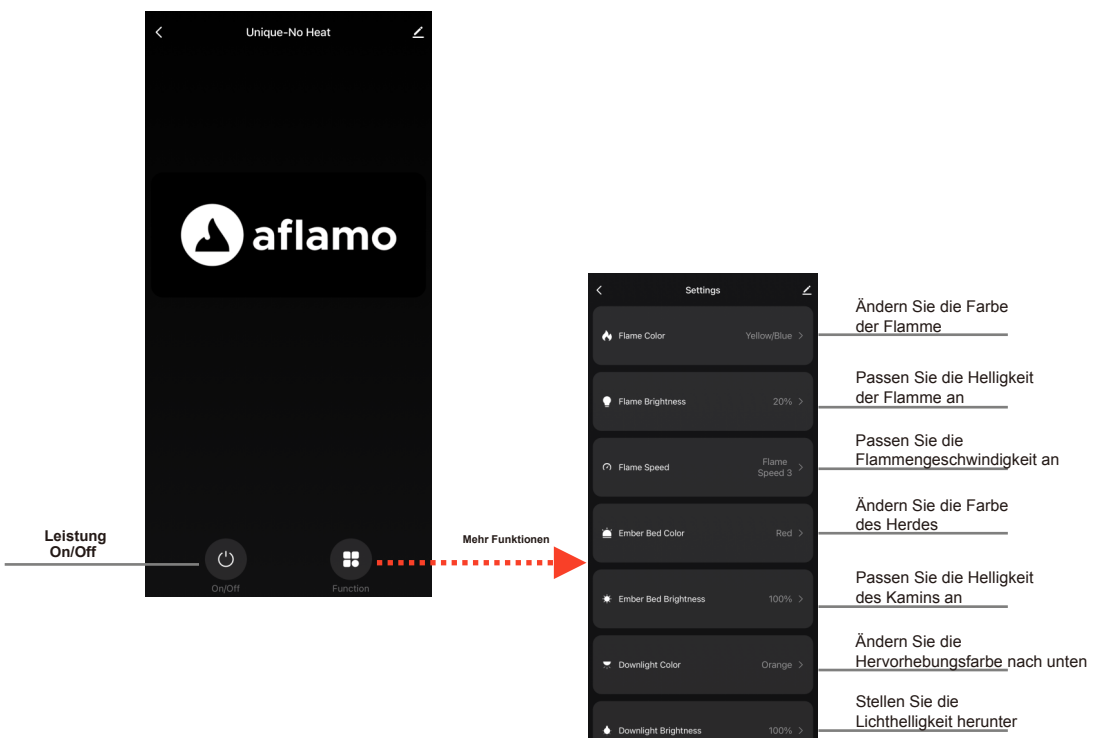


5. Beendet

- Klicken Sie auf **Done**, um den Vorgang abzuschließen.



Anwendungshandbuch



AFLAMO UNIQUE

MANUALE UTENTE



UNIQUE 107/127/153/166/183/254

Caminetto elettrico da parete / da incasso

AC 220V-240V 50Hz 1400-1600W

 **AVVERTENZA**

Prima di collegare o utilizzare l'apparecchio, **leggere attentamente** il manuale utente, tenendo conto di **tutte le informazioni relative alla sicurezza**. La mancata osservanza di tale prescrizione può causare **un incendio, una folgorazione o gravi lesioni personali**.

 **AVVERTENZA**

Conservare il presente manuale utente per consultarlo in futuro. In caso di vendita o trasferimento dell'apparecchio, **bisogna assolutamente allegare il manuale**.



IMPORTANTI ISTRUZIONI DI SICUREZZA:

AVVERTENZA:

Durante l'uso di apparecchi elettrici, occorre rispettare sempre le misure precauzionali di base per ridurre il rischio di un incendio, una folgorazione e lesioni personali, tenendo conto delle seguenti indicazioni:

- Prima di utilizzare l'apparecchio, leggere tutte le istruzioni.
- L'apparecchio si riscalda durante il funzionamento. Per evitare scottature, non toccare le superfici calde. Se disponibili – usare i manici per spostare l'apparecchio. Tenere materiali combustibili come mobili, cuscini, biancheria da letto, documenti, abbigliamento e tende a distanza di almeno 1 m dalla parte anteriore dell'apparecchio. Tenere tutti gli oggetti lontano dai lati e dalla parte posteriore dell'apparecchio. Non coprire l'apparecchio per evitare un surriscaldamento.
- Prestare particolare attenzione quando l'apparecchio di riscaldamento viene utilizzato in presenza di bambini o persone disabili e quando rimane non sorvegliato mentre è acceso.
- L'apparecchio non utilizzato deve essere scollegato dall'alimentazione.
- Non avviare l'apparecchio con la condotta di alimentazione o spina danneggiate, o nel caso di guasto all'apparecchio, di caduta dall'altezza. Bisogna portare l'apparecchio all'assistenza autorizzata per un controllo, una regolazione elettrica, meccanica o una riparazione.
- L'apparecchio è destinato esclusivamente all'uso all'interno degli edifici.
- Non utilizzare l'apparecchio in bagni, lavanderie e ambienti simili. Non collocare mai l'apparecchio nei luoghi con rischio di caduta nella vasca da bagno o in un altro serbatoio d'acqua.
- Non far passare il cavo di alimentazione sotto il moquette. Non coprire il cavo con tappeti, tappetini o altri materiali per rivestimento di pavimenti. Mantenere il percorso dei cavi lontano dai luoghi spesso frequentati e in modo da non far inciampare.
- Per scollegare l'apparecchio, disattivare tutte le spie in modalità "OFF" e poi togliere la spina dalla presa.
- Non inserire e non consentire che qualsiasi oggetto si trovi nel foro di ventilazione e alimentazione per evitare una folgorazione, un incendio o un danno all'apparecchio.
- Per evitare il rischio di un incendio, non bloccare in alcun modo entrate e uscite dell'aria. Non utilizzare l'apparecchio sulle superfici morbide come letto, dove i fori possono essere bloccati.
- Il camminetto ha all'interno i componenti che si riscaldano o che potrebbero provocare scintille o archi elettrici. Non utilizzare nei luoghi in cui viene conservata la benzina, la vernice o altri liquidi infiammabili.
- Utilizzare il camminetto solo in modo presentato nel presente manuale. Ogni altro uso non raccomandato dal produttore, potrebbe causare un incendio, una folgorazione o lesioni personali.
- PERICOLO – ALTE temperature possono essere generate in condizioni di lavoro anomale. Non coprire interamente o parzialmente la parte anteriore dell'apparecchio di riscaldamento.
- Sostituire le lampade esclusivamente dopo aver scollegato il camminetto dall'alimentazione.
- L'apparecchio non è destinato all'uso da parte di persone (compreso bambini) con ridotte capacità fisiche, mentali o sensoriali, o che non possiedono un'adeguata conoscenza o esperienza, a meno che non si trovino sotto la supervisione di una persona responsabile della loro sicurezza o sono stati istruiti da essa in materia di uso dell'apparecchio. Bisogna assicurare che i bambini non giochino con l'apparecchio.
- ATTENZIONE: Per evitare il rischio causato da un reset involontario di interruttori di sovraccarico termici, non collegare il camminetto al dispositivo esterno di commutazione, come programmatore o del circuito con sistema di accensione e spegnimento ciclico.

Preparazione



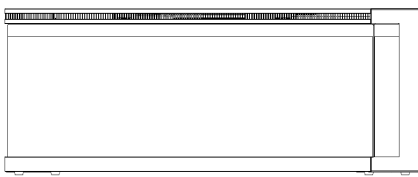



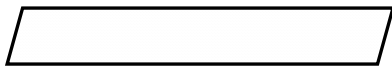

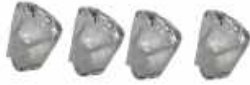


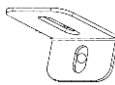
Il prodotto è dotato di **pannello in vetro!** Bisogna prestare sempre **particolare attenzione** durante lo spostamento del **vetro**. Mancato rispetto di tale raccomandazione può causare lesioni personali o danni materiali.

Togliere tutti i componenti ed gli elementi di montaggio dal cartone e metterli sulla superficie pulita, morbida e asciutta. Controllare l'elenco delle parti per assicurarsi che non manchi niente. Materiali di imballaggio devono essere smaltiti in modo adeguato.

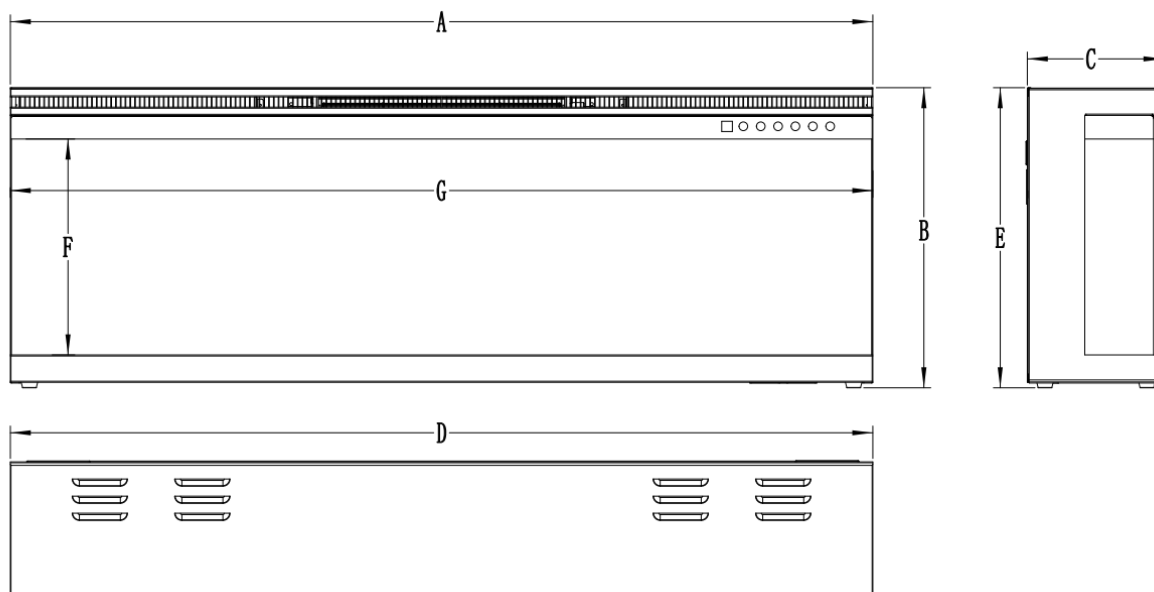
Laddove possibile, i rifiuti devono essere avviati al riciclaggio.

Saranno indispensabili i seguenti attrezzi (non sono in dotazione): cacciavite a croce; livella; metro; trapano; martello.

Componenti ed elementi di montaggio

 <p>A - Camminetto</p>				
	<p>B-Viti per legno</p>		<p>C- ulloni di ancoraggio</p>	
				
<p>D-Telecomando</p>		<p>E-Giacimento</p>		
				
<p>F - Ceppi</p>	<p>G-Cristalli grandi</p>	<p>H-Cristalli piccoli</p>	<p>I-porto da parete</p> <p>Da montare nella parte posteriore dell'alloggiamento</p>	<p>J- Supporto a "L"</p>

Specifiche e dimensioni



DIMENSIONI DEL PRODOTTO (mm)

Numero del modello	A	B	C	D	E	F	G
UNIQUE 107	1067	440	200	1067	440	316	1065
UNIQUE 127	1262	440	200	1262	440	316	1260
UNIQUE 153	1524	440	200	1524	440	316	1522
UNIQUE 166	1650	440	200	1650	440	316	1648
UNIQUE 183	1828	440	200	1828	440	316	1826
UNIQUE 254	2540	440	200	2540	440	316	2538

Montaggio e installazione

L'apparecchio è destinato al montaggio sulla parete, a incasso e/o nell'alloggiamento. Scegliere un posto adatto, che non è esposto ad umidità e si trova lontano dalle tende, dai mobili e dai luoghi spesso frequentati.

ATTENZIONE: Occorre rispettare tutte le normative elettriche nazionali e locali. Al focolare elettrico è stato aggiunto il cavo di alimentazione. L'istruzione di collegamento del cablaggio si trova nel capitolo riguardante l'installazione del cablaggio.

DISTANZA MINIMA DAI MATERIALI INFIAMMABILI

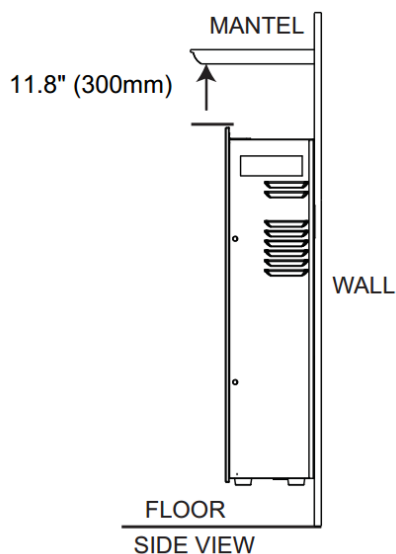
Le misurazioni sono effettuate dalla parte anteriore in vetro.

Parte inferiore	0"	Parte superiore	8" (300mm) dall'involucro
Lati	0"	Parte superiore	8" (300mm) dal soffitto
Parte posteriore	0"		

DISTANZA MINIMA DALL'INVOLUCRO

ATTENZIONE

UTILIZZANDO LA PITTURA O LA VERNICE DI RIFINITURA PER INVOLUCRO, TALE PITTURA O VERNICE DEVE ESSERE RESISTENTE AL CALORE PER IMPEDIRE LA DECOLORAZIONE.



Installazione del cablaggio nella nicchia

ATTENZIONE

PRIMA DI PROCEDERE AI LAVORI, SPEGNERE COMPLETAMENTE L'APPARECCHIO E ATTENDERE CHE SI RAFFREDDI. I LAVORI DI MANUTENZIONE E RIPARAZIONE DEVONO ESSERE ESEGUITI ESCLUSIVAMENTE DA UNA PERSONA QUALIFICATA.

CABLAGGIO

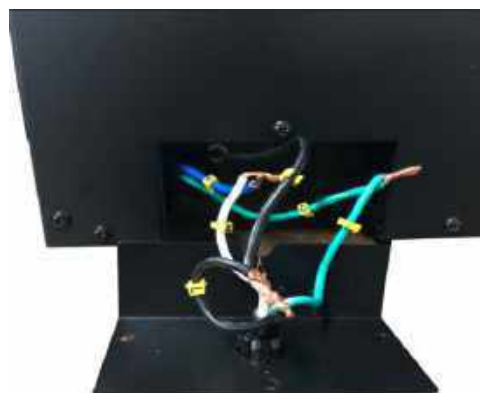
Nel caso di cablaggio, l'elettricista qualificato dovrebbe scollegare i collegamenti cablati e collegare l'apparecchio direttamente al cablaggio della casa. **ATTENZIONE: Richiesto un interruttore da 15 amp (o di più).**

All'esecuzione del cablaggio, l'apparecchio deve essere collegato e messo a terra secondo le disposizioni locali. In assenza di normative locali, applicare il codice NATIONAL ELECTRICAL CODE.

Fig.A



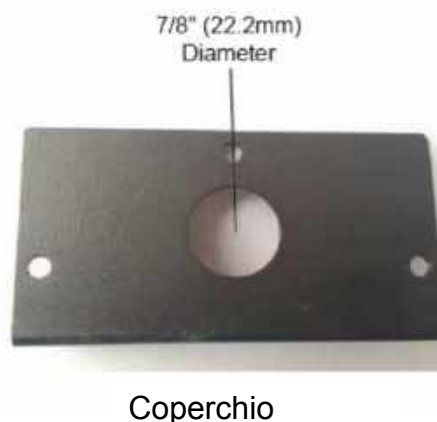
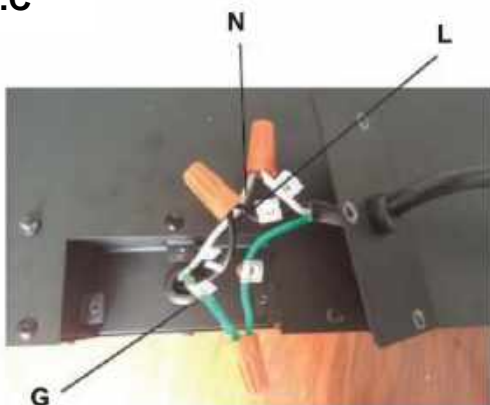
Fig.B



IN PRIMO LUOGO SCOLLEGARE L'ALIMENTAZIONE DALL'INTERRUTTORE

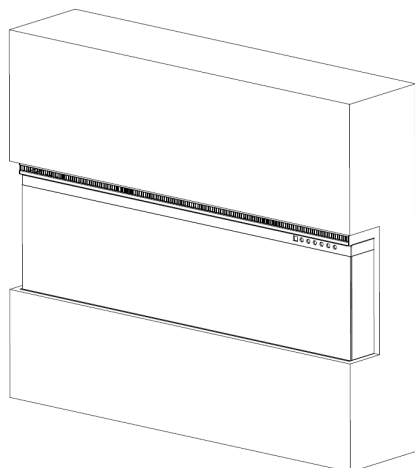
- Svitare le tre viti per rimuovere il coperchio in basso a destra dell'apparecchio, come mostrato sopra (VEDI LA FIGURA A).
- Eliminare il connettore del cavo di alimentazione. Il cavo di alimentazione non servirà più (CONF. FIG. B).
- Eseguire il foro da 7/8" (22,2 mm) in un nuovo coperchio allegato al set. Collegare il connettore tramite un foro nel coperchio. Far passare i cavi attraverso il connettore.
- Tramite i connettori collegare i fili di terra verdi (G), cavi bianchi standard (N), e poi cavi termoelettrici neri (L) (VEDI LA FIGURA C).
- Avvitare il coperchio in posizione con tre viti, come mostrato sul FIG. 4-1.

Fig.C



Montaggio

L'apparecchio consente il montaggio in una di tre configurazioni: **unilaterale, bilaterale e trilaterale.**

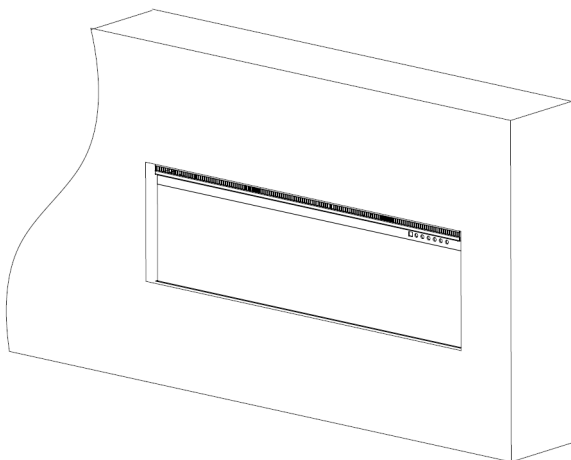
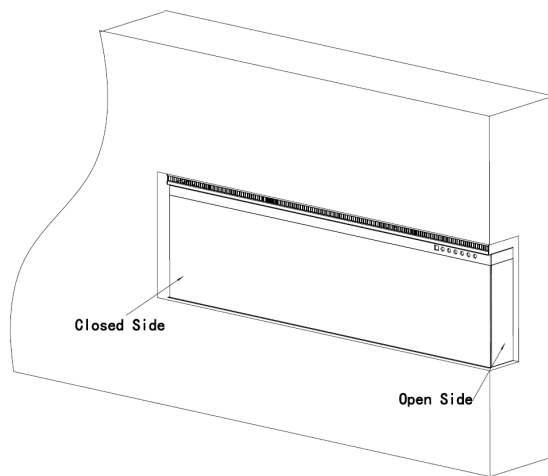


Montaggio trilaterale

- Il vetro visibile dalla parte anteriore, sul lato sinistro e destro.
- L'apparecchio è interamente incorporato nella nicchia della parete, in modo che entrambi i lati siano visibili.

Montaggio visibile

- Il vetro visibile dalla parte anteriore e sul lato sinistro o destro.
- L'apparecchio è interamente incorporato nella nicchia della parete, in modo che un lato sia visibile.

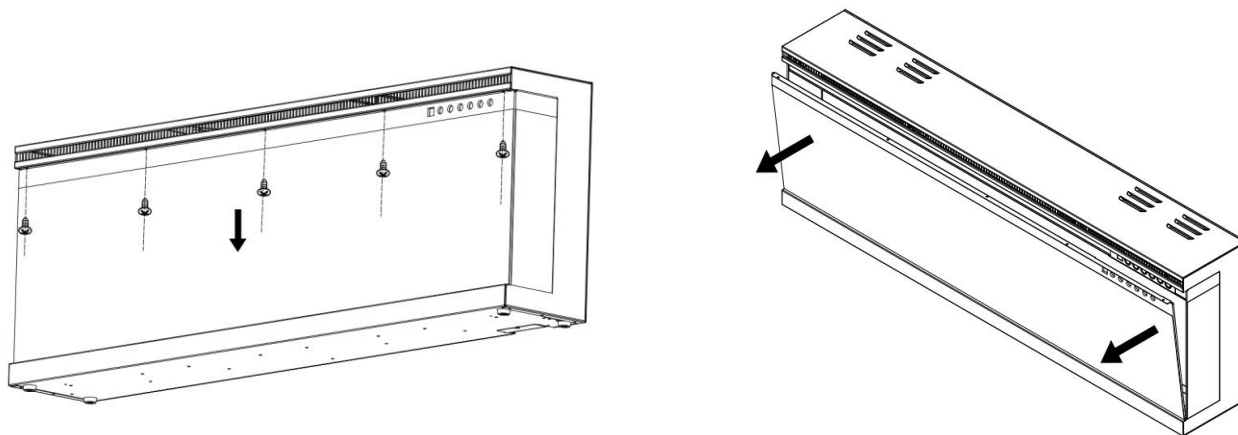


Montaggio unilaterale

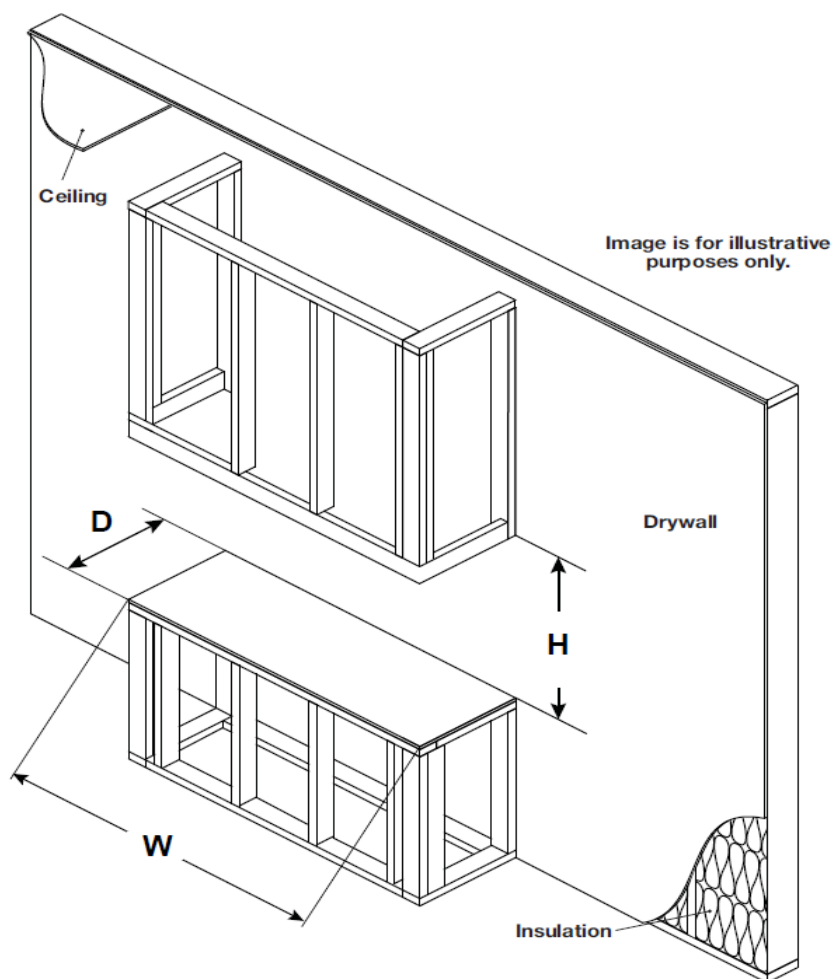
- Il vetro visibile **ESCLUSIVAMENTE** dalla parte anteriore.
- L'apparecchio è interamente incorporato nella parete.

Montaggio/rimozione del vetro anteriore

- Togliere tutte le viti dalla parte superiore del pannello di vetro.
- Inclinare in avanti il pannello anteriore. Per rimuovere il pannello di vetro serviranno due persone.
- Per montare il pannello anteriore, eseguire le seguenti operazioni in ordine inverso.



Montaggio/struttura



Attenzione: Installare il caminetto in modo tale che in caso di guasto possa essere rimosso dalla parete per la manutenzione.

Numero del modello	W	D	H
UNIQUE 107	1067 (mm)	210 (mm)	443 (mm)
UNIQUE 127	1262 (mm)	210 (mm)	443 (mm)
UNIQUE 153	1524 (mm)	210 (mm)	443 (mm)
UNIQUE 166	1650 (mm)	210 (mm)	443 (mm)
UNIQUE 183	1828 (mm)	210 (mm)	443 (mm)
UNIQUE 254	2540 (mm)	210 (mm)	443 (mm)

Attenzione:

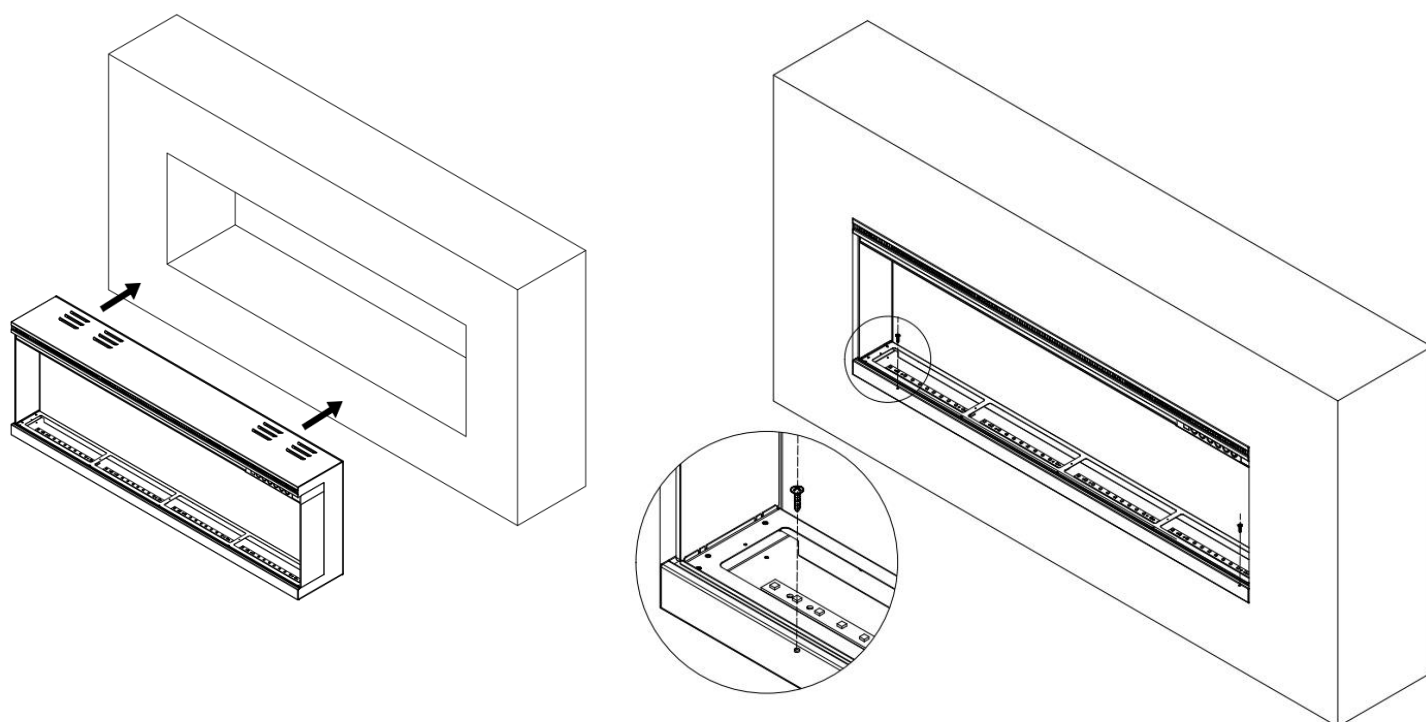
l'apparecchio NON È STATO progettato per sostenere carichi pesanti. Al montaggio della struttura, la selezione dei materiali di finitura deve essere valutata con attenzione.

Assicurarsi che il montaggio sia conforme alle normative e ai requisiti di costruzione.

Tutte le opzioni del montaggio hanno gli stessi requisiti riguardanti la struttura.

Attenzione:

Se l'apparecchio è completamente incassato nel muro, fissare il focolare con le viti corte (B) **sotto il giacimento**. Vedi la figura sotto



MONTAGGIO A PARETE

Considerando molti, vari materiali utilizzati sulle diverse pareti, si raccomanda di consultare il professionista prima di procedere al montaggio dell'apparecchio sulla parete.

A. Scegliere un posto che non è esposto all'umidità e si trova almeno 100 cm dai materiali infiammabili, come tende, mobili, biancheria da letto, carta ecc.

B. Per definire una posizione finale sono richieste due persone per tenere.

C. Posizionare l'involucro con la parte frontale verso basso sulla superficie morbida, non abrasiva. Togliere il supporto dalla parte posteriore dell'apparecchio svitando le viti, vedi Figura 1.

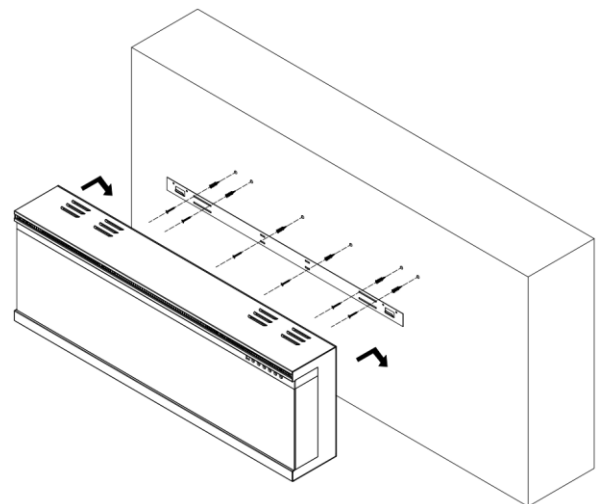
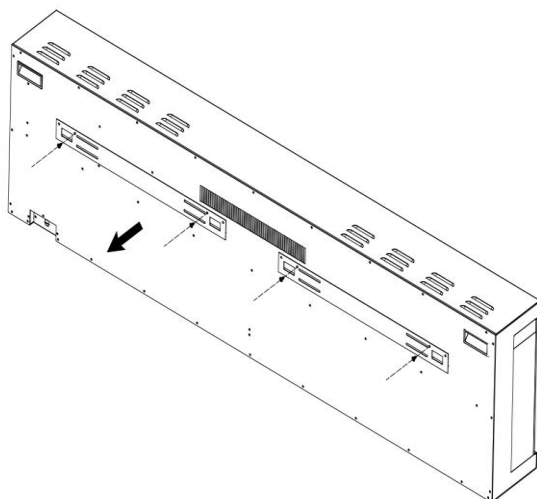
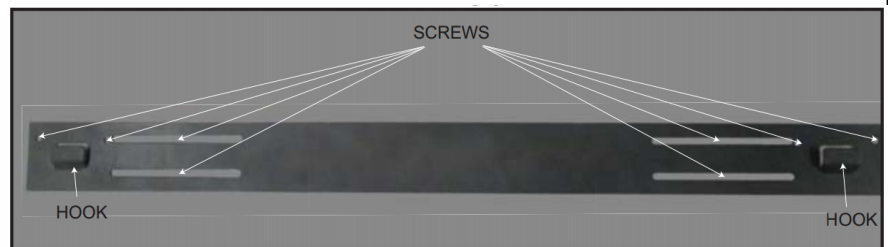
D. Contrassegnare la posizione e poi fissare supporti alla parete con le viti in dotazione. Ganci del supporto DEVONO essere puntati verso l'alto, invece il supporto deve essere livellato.

ATTENZIONE: Si raccomanda che il supporto

di montaggio (E) sia avvitato ai tasselli da parete, ove possibile. Se non possono essere utilizzati viti per pareti, assicurati che bulloni di ancoraggio di plastica in dotazione utilizzati per fissare il supporto alla parete, invece il supporto è adeguatamente protetto.

E. Dopo aver installato la staffa di montaggio da parete, sollevare l'apparecchio con l'aiuto di un'altra persona e mettere due ganci del supporto nei fori sulla parete posteriore dell'apparecchio.

F. Controllare la stabilità dell'apparecchio, assicurandosi che il supporto non fuoriesca dalla parete.



UNIQUE 183

Montaggio del supporto a "L"

A. Togliere la vite d'argento nella parte inferiore dell'apparecchio. (Fig 1-1).
Mettere da parte la vite.

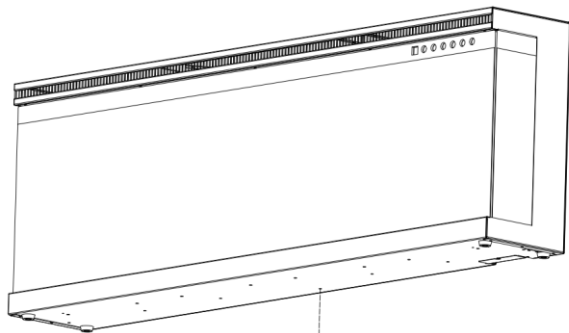


Fig 1-1

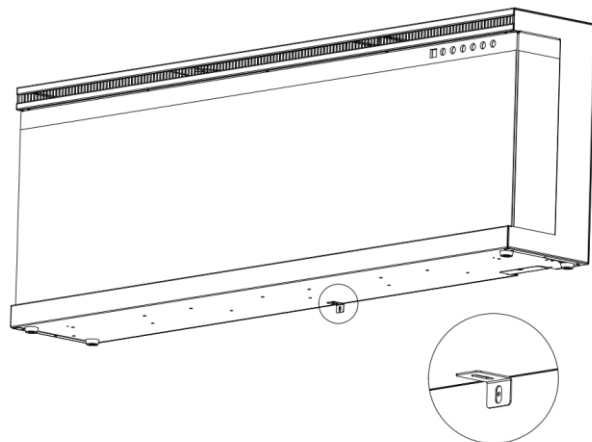


Fig 1-2

B. Montare con questa vite il supporto a "L" (J) nella parte inferiore del focolare. (Fig 1-2)

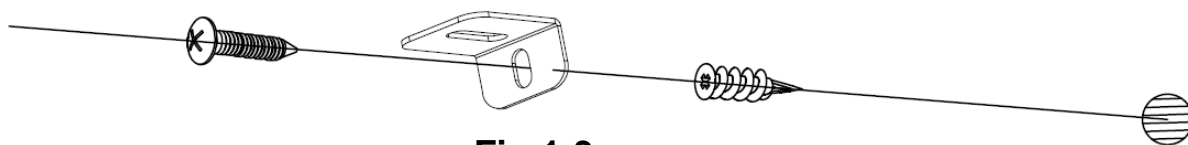


Fig 1-3

C. Montare il fissaggio di plastica (C) nella parete asciutta, poi montare la vite più lunga (B) (compresa nel set) tramite un foro nel supporto a "L" nel fissaggio per montare il focolare alla parete. (Fig 1-3)

Montaggio di ceppi/cristalli

(ATTENZIONE: Montare il giacimento a propria discrezione.)

A. Prima di montare gli elementi del giacimento rimuovere il pannello di vetro e il fissaggio, montare l'apparecchio nella posizione finale.

B. Collocare il giacimento (**E**) al posto, con la superficie opaca verso l'alto. Posizionare con attenzione i cristalli (**H**) in fondo alla parte anteriore dell'apparecchio, come mostrato in figura. I cristalli devono essere distribuiti in modo uniforme. **Fig. 2-1, Fig. 2-2**

C. Collocare i cristalli grandi (**G**) sui cristalli più piccoli, a propria discrezione. **Fig. 2-3**



Figure 2-1.



Figure 2-2.

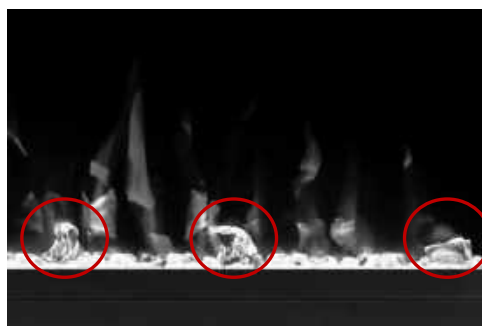


Figure 2-3.

Montaggio dell'elemento facoltativo-ceppi

Collocare con attenzione il set di ceppi (**F**) in un apposito posto nel focolare. **Fig.3**



Ceppi (Figure 3.)



Prima di **collegare** o **iniziare a usare** l'apparecchio, **leggere attentamente** l'intero manuale utente, tenendo conto di **tutte le informazioni relative alla sicurezza**. Mancato rispetto di tale requisito può causare **una folgorazione, un incendio, gravi lesioni al corpo o morte**.

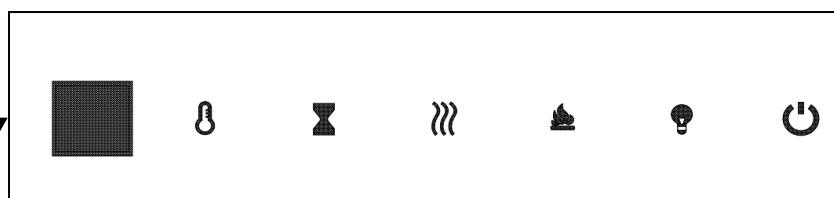
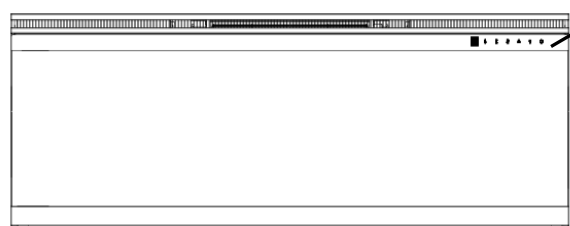
Collegamento all'alimentazione

Collegare il cavo di alimentazione alla presa AC 220-240 V (vedi **IMPORTANTI ISTRUZIONI DI SICUREZZA** sulle **pagine 2 e 3**). Assicurati che la presa sia in buone condizioni tecniche e la spina non sia allentata. **MAI** superare la corrente massima ammissibile per il circuito. **NON** collegare altri apparecchi allo stesso circuito.

Modalità di funzionamento

Tale caminetto può essere gestito tramite il **PANNELLO TATTILE** che si trova sulla parte frontale del caminetto o utilizzando il **TELECOMANDO**, alimentato con batterie.





Prima di procedere all'uso, leggere **IMPORTANTI ISTRUZIONI DI SICUREZZA** sulle **pagine 2 e 3**, e applicarle.



Pannello di controllo


Uso del pannello di controllo

PULSANTE	FUNZIONE	FUNZIONAMENTO e SEGNALAZIONE																																																				
 POWER	ON: Attiva le funzioni del pannello di controllo e telecomando. Accende l'effetto di fiamma. OFF: Blocca le funzioni del pannello di controllo e telecomando. Spegne l'effetto di fiamma.	<ol style="list-style-type: none"> Premere una volta: La spia si accende. Attivazione dell'alimentazione. Tutte le funzioni attive. Premere di nuovo: L'effetto di fiamma disattivato. Apparecchio in modalità standby. Tutte le funzioni non attive. 																																																				
 TEMP	<ol style="list-style-type: none"> Premere una volta: Si accende la spia. La temperatura cambia al valore 18 °C Premere di nuovo: fino ad ottenere l'impostazione desiderata. Il display indica l'impostazione della tabella: 	<table border="1"> <thead> <tr> <th>NO</th> <th>0</th> <th>1</th> <th>2</th> <th>3</th> <th>4</th> <th>5</th> <th>6</th> <th>7</th> <th>8</th> <th>9</th> <th>10</th> <th>N</th> </tr> </thead> <tbody> <tr> <td>°C</td> <td>20</td> <td>21</td> <td>22</td> <td>23</td> <td>24</td> <td>25</td> <td>26</td> <td>27</td> <td>28</td> <td>29</td> <td>30</td> <td>C</td> </tr> <tr> <td>°F</td> <td>68</td> <td>70</td> <td>72</td> <td>74</td> <td>76</td> <td>78</td> <td>80</td> <td>82</td> <td>84</td> <td>86</td> <td>88</td> <td>F</td> </tr> <tr> <td></td> <td>69</td> <td>71</td> <td>73</td> <td>75</td> <td>77</td> <td>79</td> <td>81</td> <td>83</td> <td>85</td> <td>87</td> <td></td> <td></td> </tr> </tbody> </table>	NO	0	1	2	3	4	5	6	7	8	9	10	N	°C	20	21	22	23	24	25	26	27	28	29	30	C	°F	68	70	72	74	76	78	80	82	84	86	88	F		69	71	73	75	77	79	81	83	85	87		
NO	0	1	2	3	4	5	6	7	8	9	10	N																																										
°C	20	21	22	23	24	25	26	27	28	29	30	C																																										
°F	68	70	72	74	76	78	80	82	84	86	88	F																																										
	69	71	73	75	77	79	81	83	85	87																																												
ATTENZIONE: Premere e tenere premuto il pulsante per 5 secondi, la scala cambia dal °C al °F. Lo stesso modo dal °F al °C.																																																						


 TIMER	Pulsante del programmatore: Regolazione delle impostazioni del programmatore per spegnere caminetto ad un certa ora. Limiti di regolazione da 0,5 a 8 ore.	<ol style="list-style-type: none"> 1. Premere una volta: La spia si illumina. Programmatore impostato per 0,5 ora. 2. Continua a premere finché non venga raggiunta l'impostazione desiderata. La spia mostra l'impostazione.
 HEATER	Pulsante RISCALDATORE: Accende e spegne il riscaldatore. ATTENZIONE: Per evitare il surriscaldamento, il ventilatore del riscaldatore soffierà l'aria fresca per 10 secondi prima di accendere il riscaldatore e dopo il suo spegnimento.	<ol style="list-style-type: none"> 1. Premere una volta. La spia è accesa. Il ventilatore soffia l'aria fresca per 10 secondi. Il basso livello del riscaldatore si accende e soffia l'aria calda. 2. Premere di nuovo. La spia è accesa. L'elevato livello del riscaldatore si accende e soffia l'aria calda. 3. Premere di nuovo. Il riscaldatore si spegne. Il ventilatore soffia l'aria fresca per 10 secondi consentendo il raffreddamento del riscaldatore, poi si spegne.
 FLAME COLOR	Pulsante COLORE: Cambio di colore per l'effetto di fiamma. ATTENZIONE: L'effetto di colore rimane attivo finché il pulsante di alimentazione non venga premuto. L'effetto di colore di fiamma deve essere acceso per accendere il riscaldatore.	<ol style="list-style-type: none"> 1. Premere una volta: Cambio di colore di fiamma. 2. Premere di nuovo finché l'impostazione desiderata non venga raggiunta. Sono disponibili 6 colori.
 FLAME BRIGHTNESS	Pulsante FIAMMA: regola la luminosità della fiamma. ATTENZIONE: L'effetto di fiamma rimane acceso fino a quando viene premuto il pulsante di alimentazione. L'effetto di fiamma deve essere acceso per accendere il riscaldatore.	<ol style="list-style-type: none"> 1. Premere una volta: Cambio di luminosità dell'effetto di fiamma. 2. Premere di nuovo finché l'impostazione desiderata non venga raggiunta.



Uso del telecomando

PULSANTE	FUNZIONE	FUNZIONAMENTO e SEGNALAZIONE
 POWER	ON: Attiva le funzioni del pannello di controllo e telecomando. Accende l'effetto di fiamma. OFF: Blocca le funzioni del pannello di controllo e telecomando. Spegne l'effetto di fiamma.	<ol style="list-style-type: none"> 1. Premere una volta: La spia si accende. Attivazione dell'alimentazione. Tutte le funzioni attive. 2. Premere di nuovo: L'effetto di fiamma disattivato. Apparecchio in modalità standby. Tutte le funzioni non attive.

 TEMP	<p>1. Premere una volta: Si accende la spia. La temperatura cambia al valore 18 °C</p> <p>2. Premere di nuovo: fino ad ottenere l'impostazione desiderata. Il display indica l'impostazione della tabella:</p> <table border="1" data-bbox="277 260 1511 428"> <tr> <td>NO</td><td>0</td><td>1</td><td>2</td><td>3</td><td>4</td><td>5</td><td>6</td><td>7</td><td>8</td><td>9</td><td>10</td><td>N</td> </tr> <tr> <td>°C</td><td>20</td><td>21</td><td>22</td><td>23</td><td>24</td><td>25</td><td>26</td><td>27</td><td>28</td><td>29</td><td>30</td><td>C</td> </tr> <tr> <td>°F</td><td>68</td><td>70</td><td>72</td><td>74</td><td>76</td><td>78</td><td>80</td><td>82</td><td>84</td><td>86</td><td>88</td><td>F</td> </tr> <tr> <td></td><td>69</td><td>71</td><td>73</td><td>75</td><td>77</td><td>79</td><td>81</td><td>83</td><td>85</td><td>87</td><td></td><td></td> </tr> </table> <p>ATTENZIONE: Premere e tenere premuto il pulsante per 5 secondi, la scala cambia dal °C al °F. Lo stesso modo dal °F al °C.</p>		NO	0	1	2	3	4	5	6	7	8	9	10	N	°C	20	21	22	23	24	25	26	27	28	29	30	C	°F	68	70	72	74	76	78	80	82	84	86	88	F		69	71	73	75	77	79	81	83	85	87		
NO	0	1	2	3	4	5	6	7	8	9	10	N																																										
°C	20	21	22	23	24	25	26	27	28	29	30	C																																										
°F	68	70	72	74	76	78	80	82	84	86	88	F																																										
	69	71	73	75	77	79	81	83	85	87																																												
 TIMER	<p>Pulsante del programmatore: Regolazione delle impostazioni del programmatore per spegnere caminetto ad un certa ora. Limiti di regolazione da 0,5 a 8 ore.</p>	<p>1. Premere una volta: La spia si illumina. Programmatore impostato per 0,5 ora.</p> <p>2. Continua a premere finché non venga raggiunta l'impostazione desiderata. La spia mostra l'impostazione.</p>																																																				
 SPEED	<p>Velocità dell'effetto: Cambio di velocità dell'effetto di fiamma. Ci sono 3 livelli di velocità: 01 (lento), 02 (medio), 03 (veloce).</p>	<p>1. Premere una volta. La spia si illumina. Avviene il cambio di velocità.</p> <p>2. Premere di nuovo fino ad ottenere l'impostazione desiderata. Predefinita 03.</p>																																																				
 FLAME COLOR	<p>Pulsante COLORE: Cambio di colore per l'effetto di fiamma.</p> <p>ATTENZIONE: L'effetto di colore rimane attivo finché il pulsante di alimentazione non venga premuto. L'effetto di colore di fiamma deve essere acceso per accendere il riscaldatore.</p>	<p>1. Premere una volta: Cambio di colore di fiamma.</p> <p>2. Premere di nuovo finché l'impostazione desiderata non venga raggiunta. Sono disponibili 6 colori.</p>																																																				
 FLAME BRIGHTNESS	<p>Pulsante FIAMMA: regola la luminosità della fiamma.</p> <p>ATTENZIONE: L'effetto di fiamma rimane acceso fino a quando viene premuto il pulsante di alimentazione. L'effetto di fiamma deve essere acceso per accendere il riscaldatore.</p>	<p>1. Premere una volta: Cambio di luminosità dell'effetto di fiamma.</p> <p>2. Premere di nuovo finché l'impostazione desiderata non venga raggiunta.</p>																																																				
 EMBER LIGHTS	<p>Pulsante di illuminazione dei ceppi: Fa sì che il colore in fondo all'effetto cambi.</p> <p>ATTENZIONE: L'effetto del colore rimane attivo fino a quando si preme il pulsante di alimentazione.</p> <p>ATTENZIONE: Il presente caminetto ha la funzione di memorizzare le impostazioni di illuminazione.</p>	<p>1. Premere una volta. Cambio del colore di illuminazione.</p> <p>2. Premere di nuovo fino ad ottenere l'impostazione desiderata. Disponibili 10 colori</p> <p>3. Ciclo automatico: Dopo aver premuto 11 volte, i colori di illuminazione cambieranno automaticamente (ATTENZIONE: cambio dei colori dura 15 secondi.)</p>																																																				

 <p>EMBER BRIGHTNESS</p>	<p>Luminosità di illuminazione: Cambio di luminosità dell'illuminazione.</p> <p>ATTENZIONE: Luminosità di illuminazione rimane attiva fino a quando si preme il pulsante di alimentazione.</p>	<ol style="list-style-type: none"> 1. Premere una volta. Cambio della luminosità di illuminazione. 2. Premere di nuovo fino ad ottenere l'impostazione desiderata. Disponibili 5 livelli. <p>Da L1 - L2 - L3 - L4 - L5-L0 (OFF)</p>
--	--	--

<p>ATTENZIONE</p>	<p>Al primo avviamento del riscaldatore può apparire un delicato odore. È un fenomeno normale e non dovrebbe ripetersi, a meno che il riscaldatore non verrà utilizzato per lungo periodo.</p>
--------------------------	--

<p>ATTENZIONE</p>	<p>Per migliorare il funzionamento, punta il telecomando verso la parte frontale del caminetto. NON premere i pulsanti troppo in fretta. Attendere un attimo finché l'apparecchio non reagisca ai singoli comandi.</p>
--------------------------	--


Controllo della temperatura

Il riscaldatore è dotato del sistema di controllo della temperatura. Nel caso in cui viene raggiunta la temperatura pericolosamente alta, il riscaldatore si spegne. Per ripristinare il funzionamento:

1. Scollegare il cavo di alimentazione dalla spina.
2. Commutare l'interruttore ON/OFF sul PANNELLO DI CONTROLLO su OFF. **Attendere 5 minuti.**
3. Verificare se griglie di ventilazione del caminetto non siano coperte o tappate con polvere. Nel caso di intasamento, usare l'aspirapolvere per pulirle.
4. Con il commutatore impostato in posizione OFF, ricollegare il cavo di alimentazione alla spina.
5. Se il problema persiste, affidare la verifica della spina e del cablaggio allo specialista.



Informazioni sulle batterie del telecomando

- Il telecomando richiede una batteria **CR2025** (Inclusa)

	<p>Non gettare MAI le batterie nel fuoco. Il mancato rispetto di tale requisito può causare una esplosione. Le batterie usate devono essere smaltite nei contenitori appositamente contrassegnati o portate al Punto di Raccolta Differenziata dei Rifiuti Urbani.</p>
---	---

Pulizia e manutenzione

Pulizia

	<p>Prima di procedere alla pulizia, alla manutenzione o allo spostamento del caminetto, bisogna SEMPRE spegnere il riscaldatore e scollegare il cavo di alimentazione dalla presa. Il mancato rispetto di tale requisito può causare una folgorazione, un incendio o lesioni al corpo.</p>
	<p>Non immergere MAI l'apparecchio in acqua e non spruzzare con acqua. Tale comportamento può causare una folgorazione, un incendio o lesioni al corpo.</p>

Componenti in metallo:

- Lucidare con un panno secco, delicatamente umidificato con prodotto detergente a base di oli di agrumi.
- **NON** usare preparati per lucidare ottone o prodotti detergenti per la casa, perché questi prodotti danneggeranno di rifinitura in metallo.

Componenti in vetro:

- Utilizzare i prodotti per lavare le superfici in vetro di alta qualità, spruzzati sul panno o asciugamano. Asciugare accuratamente con asciugamano in carta o con panno anti pelucchi.
- Non usare **MAI** prodotti di pulizia abrasivi, aerosol o altri prodotti che possono graffiare la superficie.

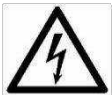
Griglie di ventilazione:

- Rimuovere polvere e sporcizia dal riscaldatore e dalla superficie di griglie con l'aspirapolvere o il panno per polvere.

Elementi di plastica:

- Pulire delicatamente con un panno, leggermente umidificato con una leggera soluzione di detersivo per piatti e acqua tiepida.
- Non usare **MAI** prodotti di pulizia abrasivi, aerosol o altri prodotti che possono graffiare la superficie.

Manutenzione



Rischio di folgorazione! NON APRIRE i pannelli! L'apparecchio non contiene i componenti adatti per la riparazione in maniera autonoma!



Prima di procedere alla pulizia, alla manutenzione o allo spostamento del caminetto, bisogna **SEMPRE spegnere** il riscaldatore e **scollegare il cavo di alimentazione dalla presa**. Il mancato rispetto di tale requisito può causare **una folgorazione, un incendio o lesini al corpo**.

Componenti elettrici e in movimento:

- Motori dei ventilatori sono stati lubrificati in fabbrica e non richiedono un'ulteriore lubrificazione.
- Componenti elettrici sono integrati nell'apparecchio e non possono essere riparati in modo autonomo.

Stoccaggio:

L'apparecchio non utilizzato deve essere immagazzinato in un luogo pulito, asciutto.



AVVERTIMENTO! I componenti elettrici interni **NON SONO ADATTI** alla riparazione in modo autonomo dall'utente.



WEEE:

Smaltimento e riciclaggio:

L'apparecchio non può essere gettato insieme ai semplici rifiuti urbani indifferenziati. Bisogna utilizzare gli appositi punti di raccolta. Per ulteriori informazioni relativi ai sistemi di raccolta dei rifiuti disponibili occorre contattare le autorità locali. Lo smaltimento delle apparecchiature elettriche nelle discariche può portare all'infiltrazione delle sostanze pericolose nelle acque sotterranee e immissione nella catena alimentare, che può avere un effetto negativo sulla salute e sul benessere.

Nel caso di sostituzione dei vecchi apparecchi per nuovi, il venditore ha l'obbligo legale di prendere l'apparecchio vecchio per lo smaltimento senza spese aggiuntive.

Istruzioni per il collegamento dell'applicazione

1. Scarica l'applicazione

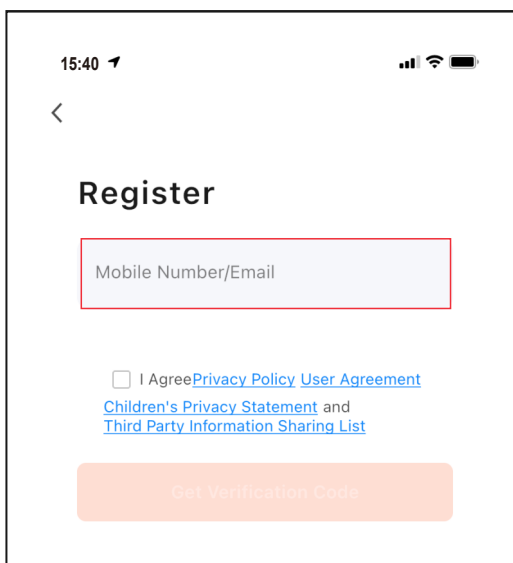
- Scarica "Tuya Smart" dall'app store.
- Scansiona il codice QR.
- Attiva il "GPS" sul tuo dispositivo mobile.



Nota: assicurati che il tuo cellulare sia connesso al segnale WIFI più vicino.

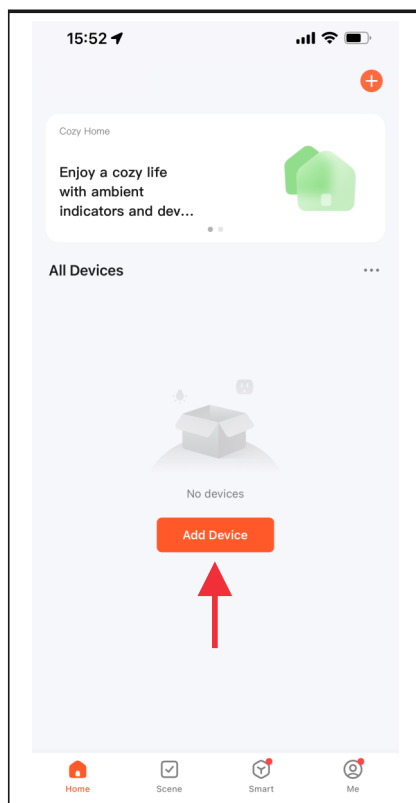
2. Login

- Iscriviti con la tua e-mail o numero di cellulare come nome utente.
- Imposta la password del tuo account.



3. Aggiungi dispositivo

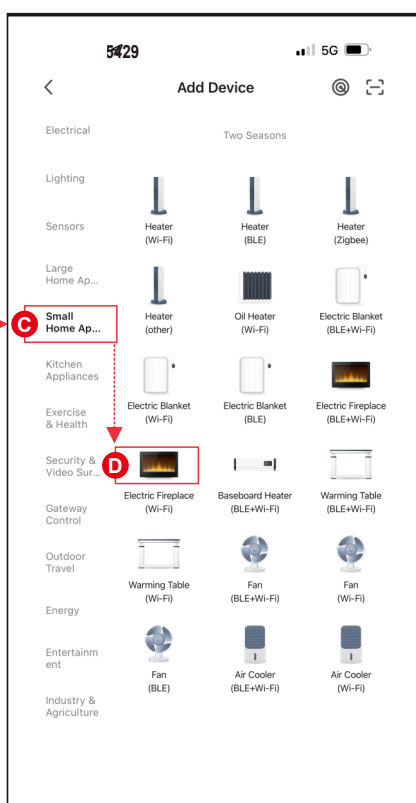
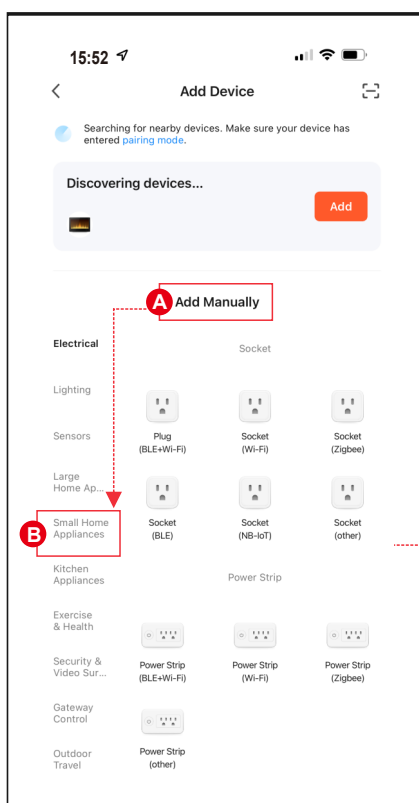
Dopo aver creato un account, accedi ad esso e seleziona il pulsante "Aggiungi dispositivo".




3. Aggiungi dispositivo - continua

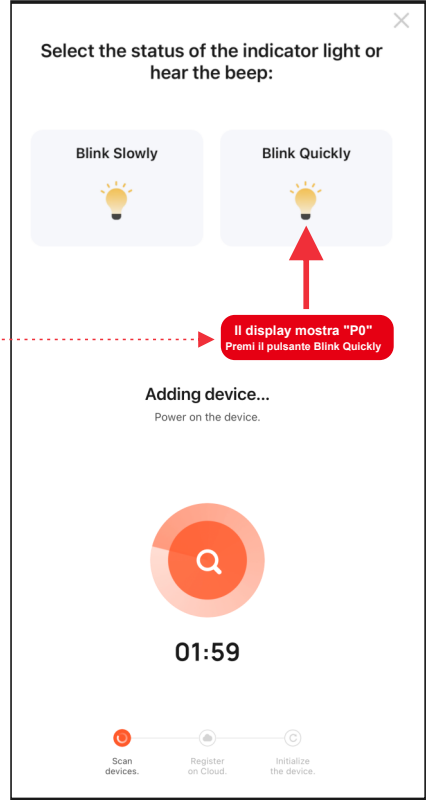
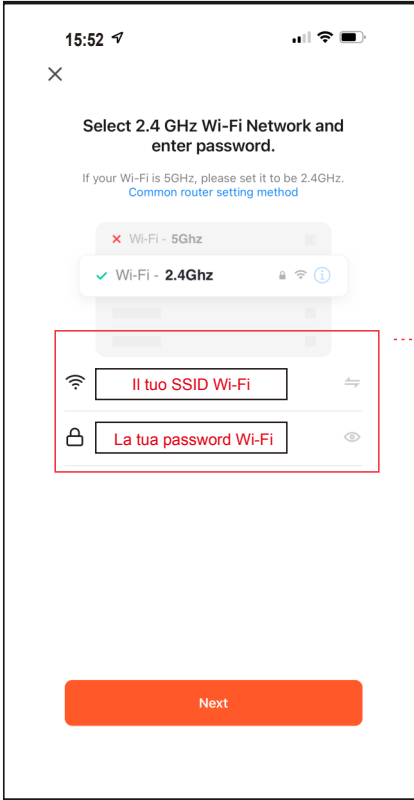
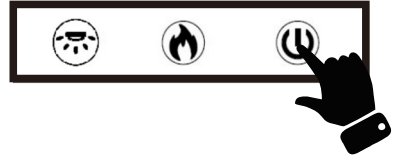
Esistono tre metodi per aggiungere un caminetto elettrico.

- Metodo 1: aggiungere manualmente in modalità "P0". Segui i passaggi A, B, C, D di seguito.
- Metodo 2: aggiungere manualmente in modalità "P1". Segui i passaggi A, B, C, D di seguito.
- **Metodo 3: Aggiungi tramite Bluetooth. Attiva il Bluetooth sul tuo cellulare prima di aggiungere. (Il modo migliore)**




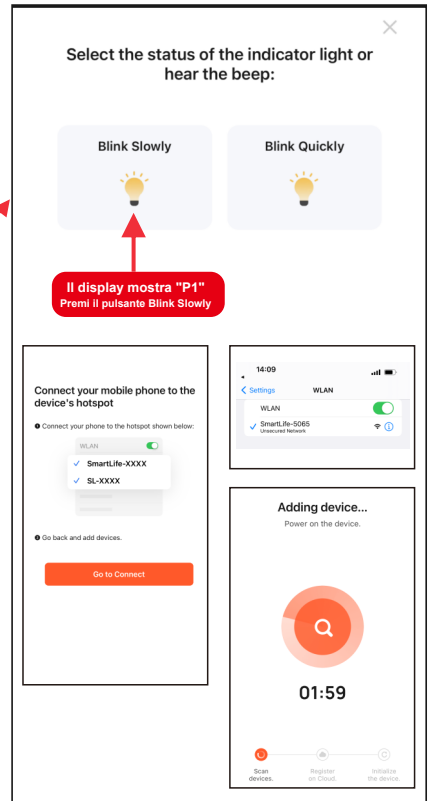
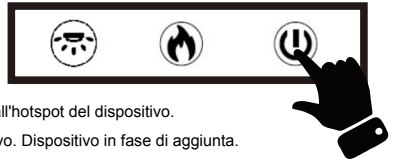
4. Metodo di connessione 1 - (P0)

- Tieni premuto  sul telecomando e sentirai un "beep" dal camino.
- Immettere il nome e la password WIFI, quindi premere "Next" per accoppiare.
- Premere il pulsante **Blink Quickly**, il dispositivo viene aggiunto.




4. Metodo di connessione 2 - (P1)

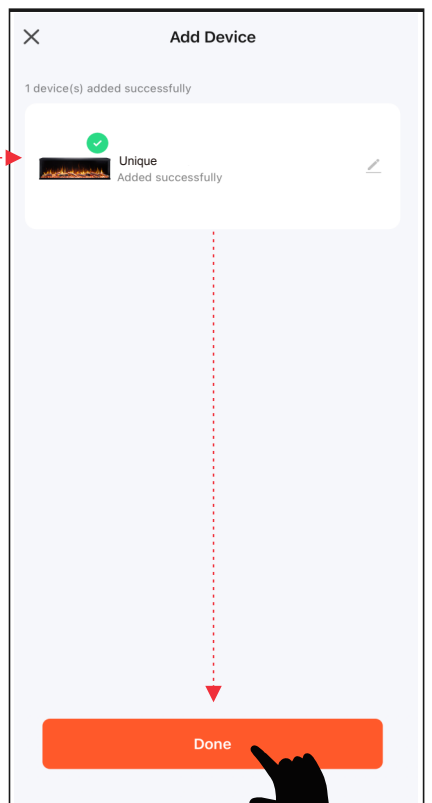
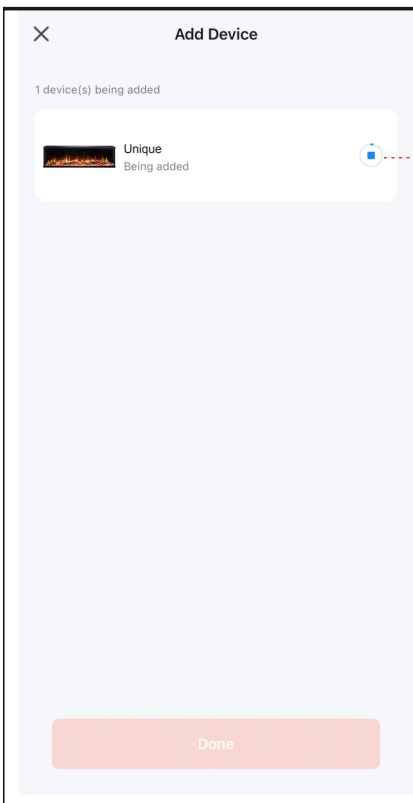
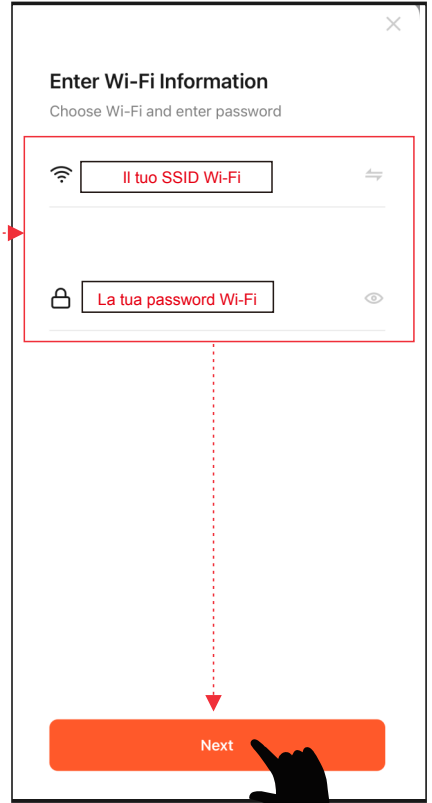
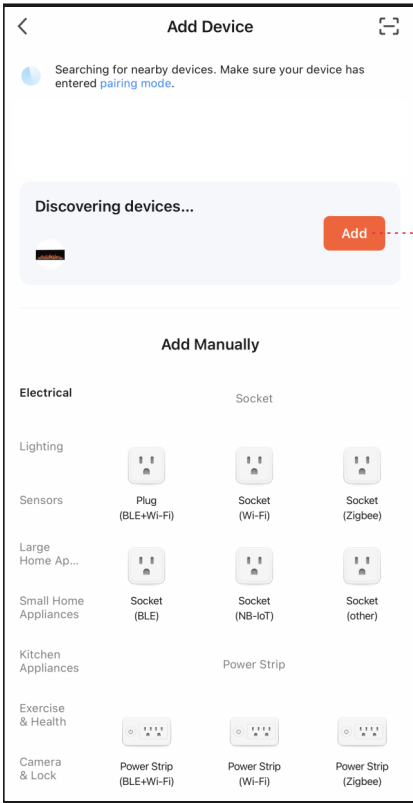
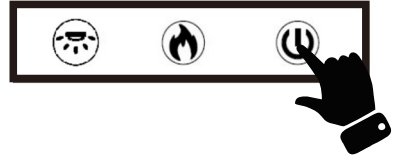
- Tieni premuto  sul telecomando e sentirai un "beep" dal camino.
- Immettere il nome e la password WIFI, quindi premere "Next" per accoppiare.
- Premi il pulsante **Blink Slowly**. Quindi procedi a connettere il tuo telefono cellulare all'hotspot del dispositivo.
- Seleziona l'hotspot del tuo dispositivo (**SmartLife-xxxx**), quindi torna al tuo dispositivo. Dispositivo in fase di aggiunta.



4. Metodo di connessione 3 - (Bluetooth)

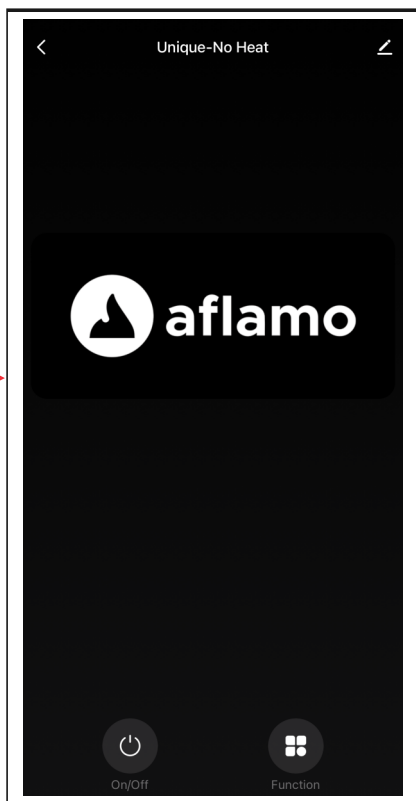
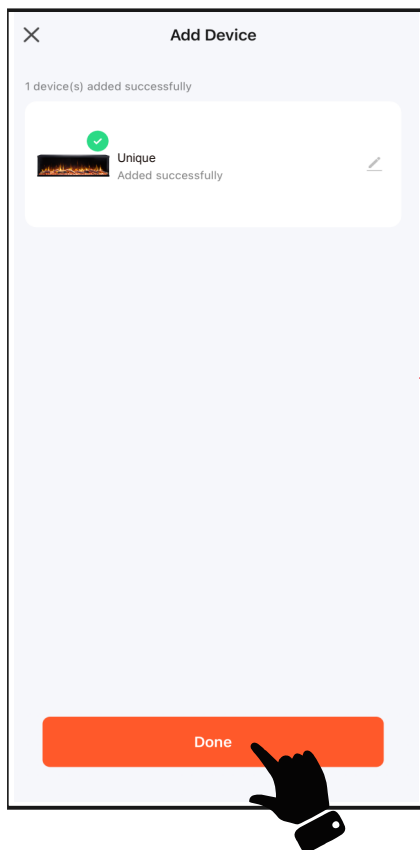


- Tieni premuto  sul telecomando e sentirai un "beep" dal camino.
- Premi **Add** quando vedi un dispositivo chiamato "Unique".
- Immettere il nome e la password WIFI, quindi premere "Next" per accoppiare.

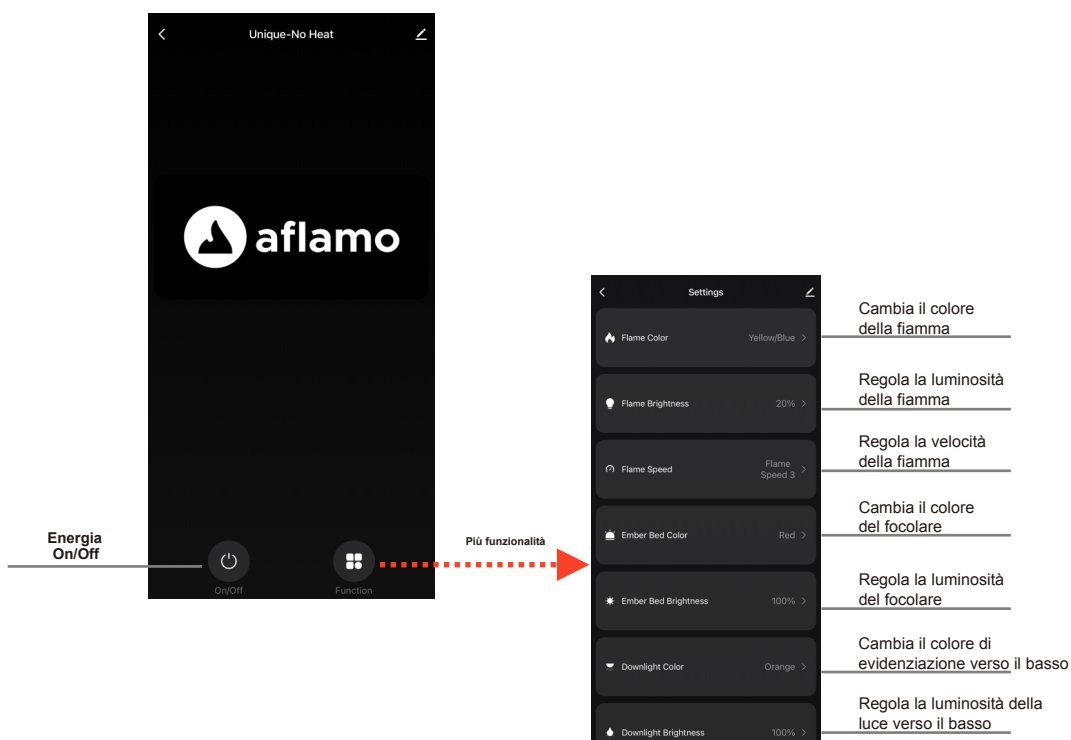


5. Conclusa

- Premi **Done** per finire.

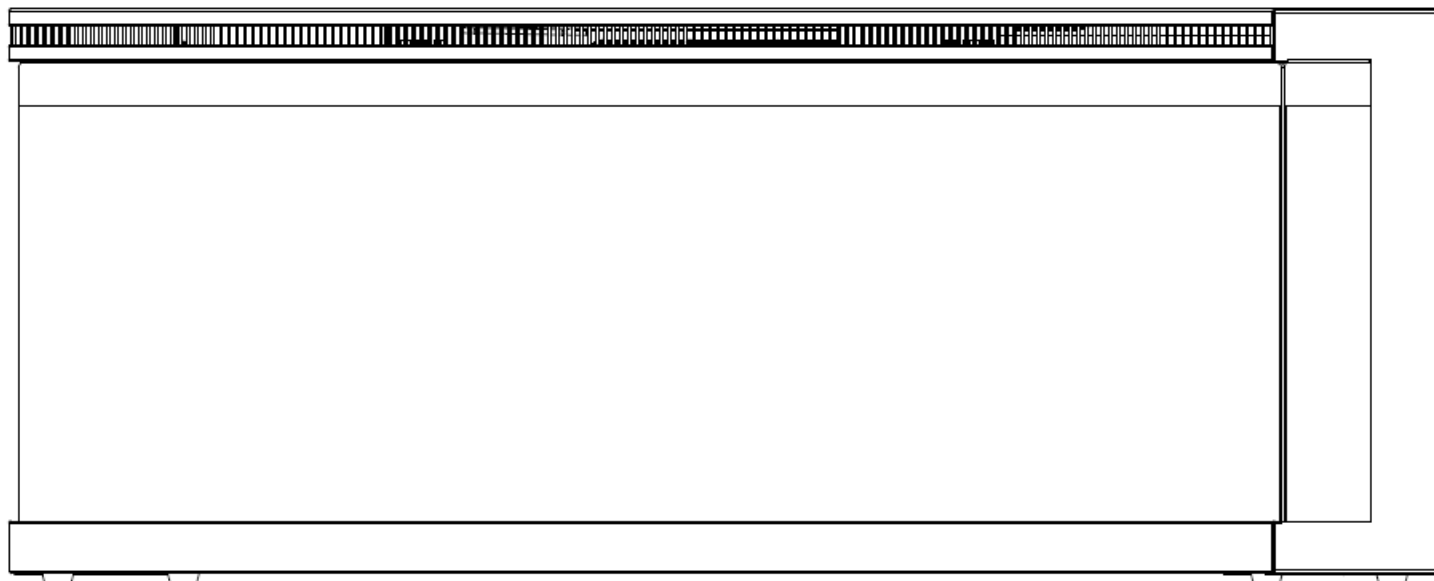


Manuale applicativo



AFLAMO UNIQUE

MANUAL DE USUARIO



UNIQUE 107/127/153/166/183/254
Chimenea eléctrica, de pared / para empotrar
AC 220V-240V 50Hz 1400-1600W



ADVERTENCIA

Antes de conectar o usar desde el dispositivo, **lea y entienda el manual completo del usuario**, incluida **toda la información de seguridad**. El incumplimiento de estas instrucciones puede **provocar incendios, descargas eléctricas o lesiones graves**.



¡ATENCIÓN!

Guarde esta guía del usuario para uso posterior. En caso de venta o entrega del dispositivo, **será necesario adjuntar estas instrucciones**.



INSTRUCCIONES IMPORTANTES DE SEGURIDAD:

ADVERTENCIA

Cuando utilice dispositivos eléctricos, siga siempre las precauciones básicas para reducir el riesgo de incendio, descarga eléctrica y lesiones personales, incluyendo los siguientes consejos:

- Lea todas las instrucciones antes de usar este dispositivo.
- El dispositivo se calienta durante su funcionamiento. Para evitar quemaduras, no toque las superficies calientes. Si está disponible, use las asas para trasladar el dispositivo. Mantenga los materiales combustibles como muebles, almohadas, ropa de cama, documentos, ropa y cortinas al menos a 1 m de la parte frontal del dispositivo. Mantenga todos estos objetos alejados de los laterales y la parte trasera del dispositivo. Para evitar el sobrecalentamiento, no cubra nada como electrodomésticos.
- Se debe tener especial cuidado cuando el dispositivo de calefacción se utiliza cerca de niños o personas discapacitadas y cuando se deja desatendido.
- El dispositivo no utilizado debe desconectarse de la fuente de alimentación.
- No encienda el dispositivo con un cable o enchufe dañado, o en el caso de un mal funcionamiento del dispositivo, o tras caer. Devuelva el dispositivo a un centro de servicio autorizado para su inspección, ajuste eléctrico o mecánico, o reparación.
- El dispositivo está diseñado solamente para uso en interiores.
- No utilice el dispositivo en baños, lavanderías y espacios similares. Nunca coloque el dispositivo donde pueda caer en una bañera u otro tanque de agua.
- No ponga el cable de alimentación debajo de la alfombra. No cubra el cable con alfombras, aceras u otros revestimientos. Mantenga el cable alejado de lugares frecuentados para que nadie tropiece con él.
- Para desconectar el dispositivo, apague todas las luces (posición "OFF") y luego desenchufe el cable de la toma de corriente.
- No coloque ni permita que ningún objeto entre en las aberturas de ventilación y los orificios de ventilación, ya que esto podría causar descargas eléctricas, incendios o daños al dispositivo.
- Para evitar el riesgo de incendio, no bloquee las entradas y salidas de aire. No utilice el dispositivo en superficies blandas, como una cama, donde se puedan bloquear las aberturas.
- La chimenea tiene elementos calefactores que pueden generar chispas y arcos eléctricos. No lo use en lugares donde se almacene gasolina, pintura u otros líquidos inflamables.
- Use la chimenea tal y como se describe en este manual. Cualquier otro uso no recomendado por el fabricante puede provocar incendios, descargas eléctricas o lesiones personales.
- PELIGRO: pueden generarse temperaturas ALTAS en condiciones de funcionamiento anormales. No cubra, total o parcialmente, el dispositivo de calefacción.
- Las lámparas se pueden reemplazar solo tras desconectar la chimenea de la fuente de alimentación.
- Este dispositivo no está diseñado para ser utilizado por personas (incluidos niños) con un rendimiento físico, mental o sensorial reducido o que carecen de los conocimientos o la experiencia adecuados, a menos que estén bajo la supervisión de una persona responsable de su seguridad o hayan sido instruidos por ellos en el área de uso del dispositivo. Asegúrese de que los niños no jueguen con el dispositivo.
- ¡ATENCIÓN! Para evitar el riesgo de reinicio involuntario de los interruptores de sobrecarga térmica, la chimenea no debe conectarse a un dispositivo de conmutación externo, como un programador o un circuito con un sistema de encendido y apagado cíclico.

Preparación

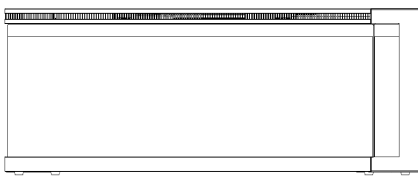




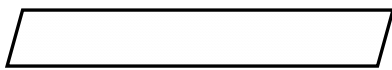

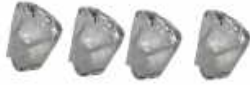


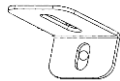


Este producto está equipado con un **panel de vidrio!** Siempre cuando maneje el **vidrio**, debe mantener una **precaución especial**. El incumplimiento de estas instrucciones puede provocar lesiones personales o daños a la propiedad.

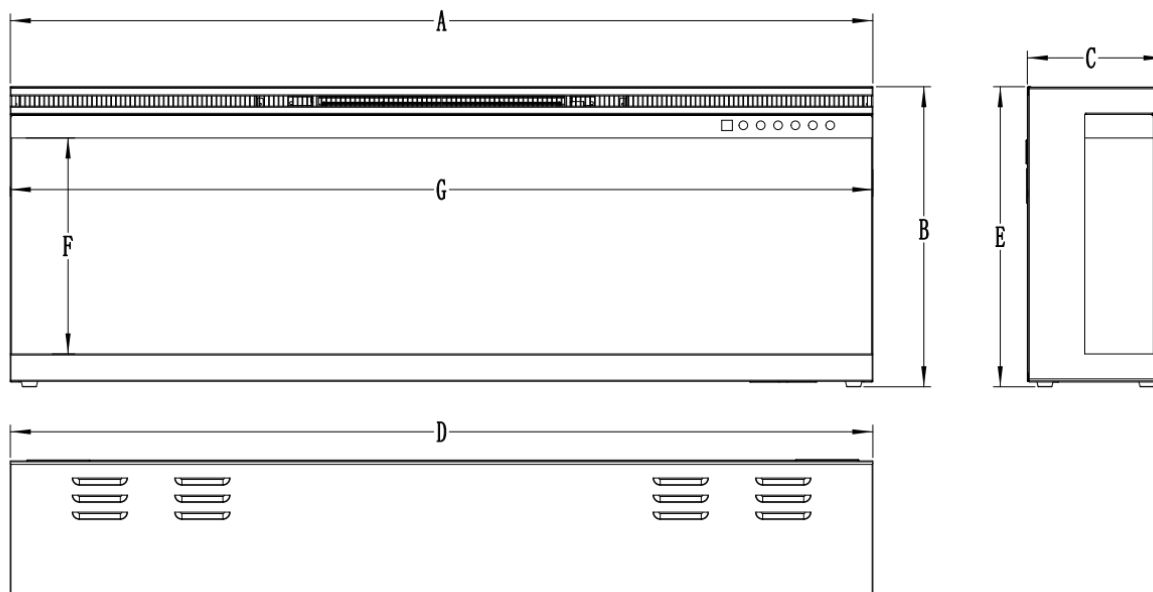
Retire todos los componentes y piezas de ensamblaje del cartón y colóquelos en una superficie limpia, suave y seca. Compruebe la lista de piezas para asegurarse de que no falta nada. Los materiales de embalaje deben desecharse adecuadamente. Siempre que sea posible, los residuos deben ser transferidos para su reprocesamiento.

Se requerirán las siguientes herramientas (no incluidas): destornillador de estrella; nivel de burbuja; cinta métrica; taladro; martillo.

Elementos y componentes para el montaje

 <p>A – Fireplace</p>				
	<p>B-Tornillos para madera</p>		<p>C- Anclajes</p>	
				
	<p>D-Mando a distancia</p>	<p>E-Cama de ascuas</p>		
				
<p>F - Conjunto de registros</p>	<p>G-Cristales - grandes</p>	<p>H-Cristales - pequeños</p>	<p>I-Soporte de pared Montado en la parte posterior de la carcasa.</p>	
			<p>J- Soporte en forma de letra „L”</p>	

Especificaciones y dimensiones



MEDIDAS DEL PRODUCTO (mm)

Número de modelo	A	B	C	D	E	F	G
UNIQUE 107	1067	440	200	1067	440	316	1065
UNIQUE 127	1262	440	200	1262	440	316	1260
UNIQUE 153	1524	440	200	1524	440	316	1522
UNIQUE 166	1650	440	200	1650	440	316	1648
UNIQUE 183	1828	440	200	1828	440	316	1826
UNIQUE 254	2540	440	200	2540	440	316	2538

Montaje e instalación

El dispositivo está diseñado para ser montado sobre una pared, empotrado y / o en una carcasa. Elija un lugar adecuado que no sea susceptible a la humedad y que esté lejos de las cortinas, muebles y lugares con mucho tránsito.

¡ATENCIÓN! Todos los códigos eléctricos nacionales y locales deben ser observados. A la chimenea eléctrica se ha añadido un cable de alimentación. Para obtener instrucciones sobre cómo conectar la conexión fija, consulte la sección sobre el montaje de la conexión fija.

DISTANCIA MÍNIMA A MANTENER PARA MATERIALES INFLAMABLES

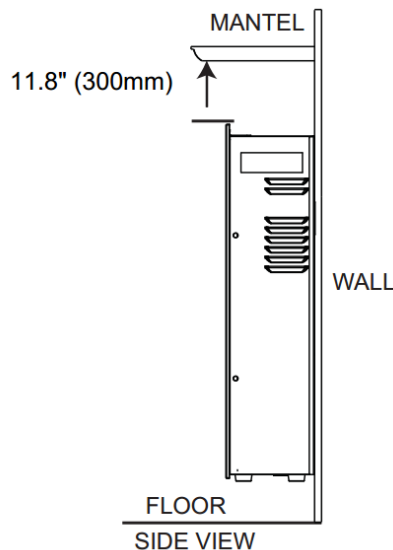
Las mediciones se deben realizar desde el panel frontal de vidrio.

Lado inferior	0"	Lado superior	8" (300mm) desde la carcasa
Laterales	0"	Lado superior	8" (300mm) desde el techo
Lado trasero	0"		

DISTANCIA MÍNIMA DE LA CARCASA

¡ATENCIÓN!

AL UTILIZAR PINTURA O BARNIZ PARA TERMINAR LA CARCASA, ESTAS DEBEN SER RESISTENTES AL CALOR PARA PREVENIR QUE SE DESTIÑEN.



Instalación de la conexión fija en el hueco de la pared

ATENCIÓN

ANTES DE COMENZAR CON LOS TRABAJOS, APAGUE TOTALMENTE EL DISPOSITIVO Y ESPERE A QUE SE ENFRÍE. LOS TRABAJOS DE MANTENIMIENTO Y REPARACIÓN SOLO PUEDE REALIZARLOS UNA PERSONA CUALIFICADA.

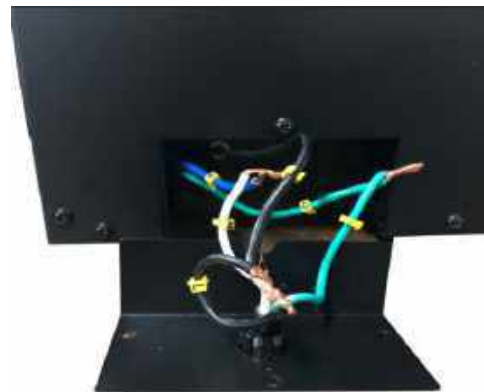
CONEXIÓN FIJA

En caso de conexión fija, un electricista cualificado debe desconectar la conexión cableada y conectar el dispositivo directamente al cableado de la casa. **ATENCIÓN: Se requiere un interruptor de 15 amp (o más).** Al realizar la conexión fija el dispositivo debe conectarse y contar con una conexión a tierra de acuerdo con la legislación local. En caso de falta de regulación local, utilizar el NATIONAL ELECTRICAL CODE.

Fig.A



Fig.B



EN PRIMER LUGAR, DESCONECTE LA FUENTE DE ALIMENTACIÓN DEL INTERRUPTOR

A. Afloje los tres tornillos para quitar la tapa situada a la derecha en el fondo del dispositivo, tal y como se muestra anteriormente (VER FIG. A).

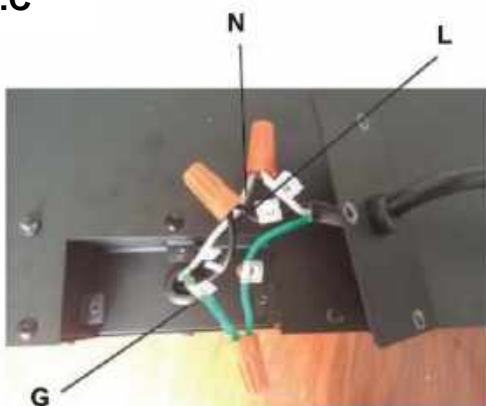
B. Quite el conector del cable de alimentación. El cable de alimentación ya no será necesario (VER FIG. B).

C. Haga un orificio de 7/8" (22,2 mm) en la nueva tapa incluida en el conjunto. Conecte el conector a través del agujero de la tapa. Pase los cables a través del conector.

D. Conecte los cables verdes de tierra (G), los cables blancos estándar (N) y luego los cables termoeléctricos negros (L) (VER FIG. C).

E. Fije la tapa en su lugar con tres tornillos, tal y como se muestra en la FIG. 4-1.

Fig.C



7/8" (22.2mm)
Diameter



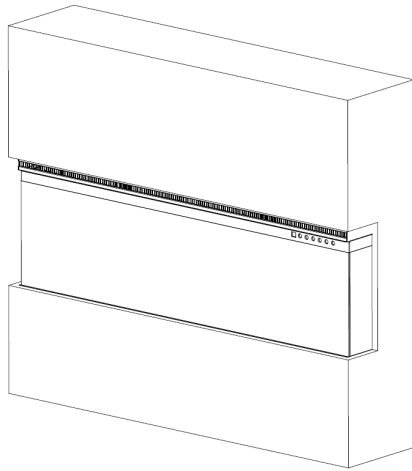
Connector



Tapa

Montaje

El dispositivo permite un montaje en tres configuraciones distintas: **de tres lados, de dos lados y de un solo lado.**

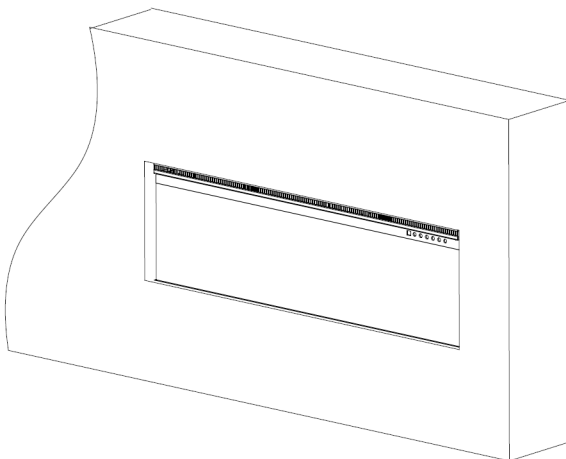
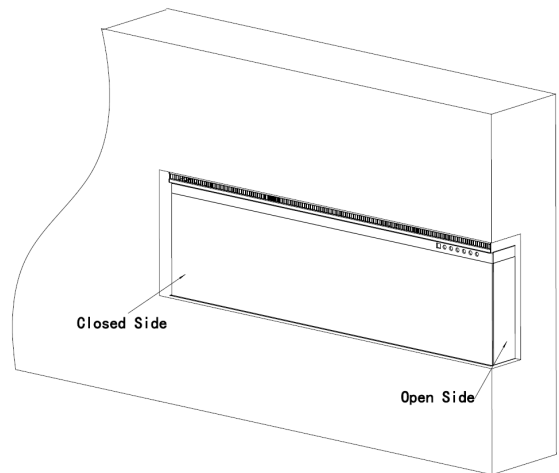


Montaje de tres lados

- Vidrio visible desde el frente, la izquierda y la derecha.
- El dispositivo está totalmente empotrado en un hueco en la pared para que puedan verse ambos lados.

Montaje de dos lados

- Vidrio visible desde el frente y la izquierda o desde la derecha.
- El dispositivo está totalmente empotrado en un hueco en la pared para que pueda verse un lado.

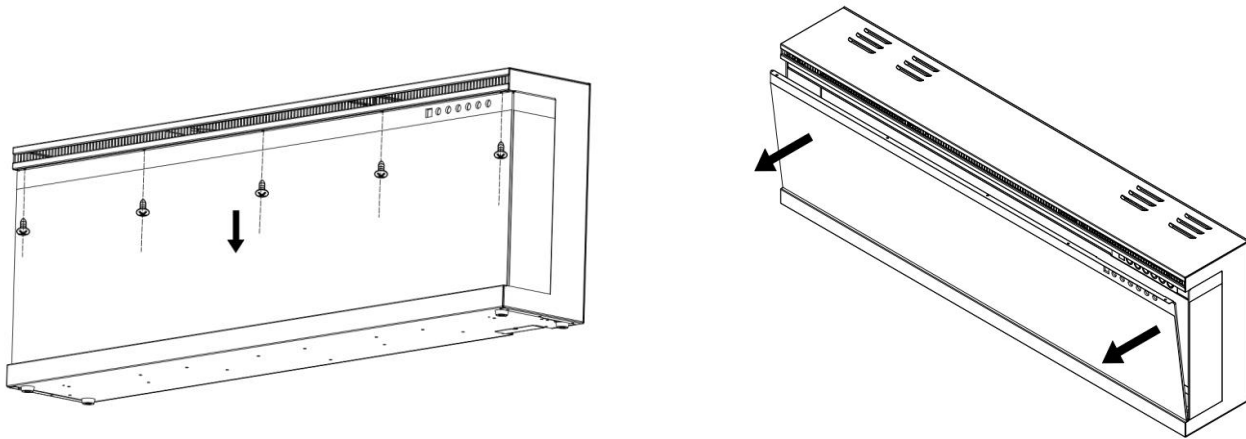


Montaje de un solo lado

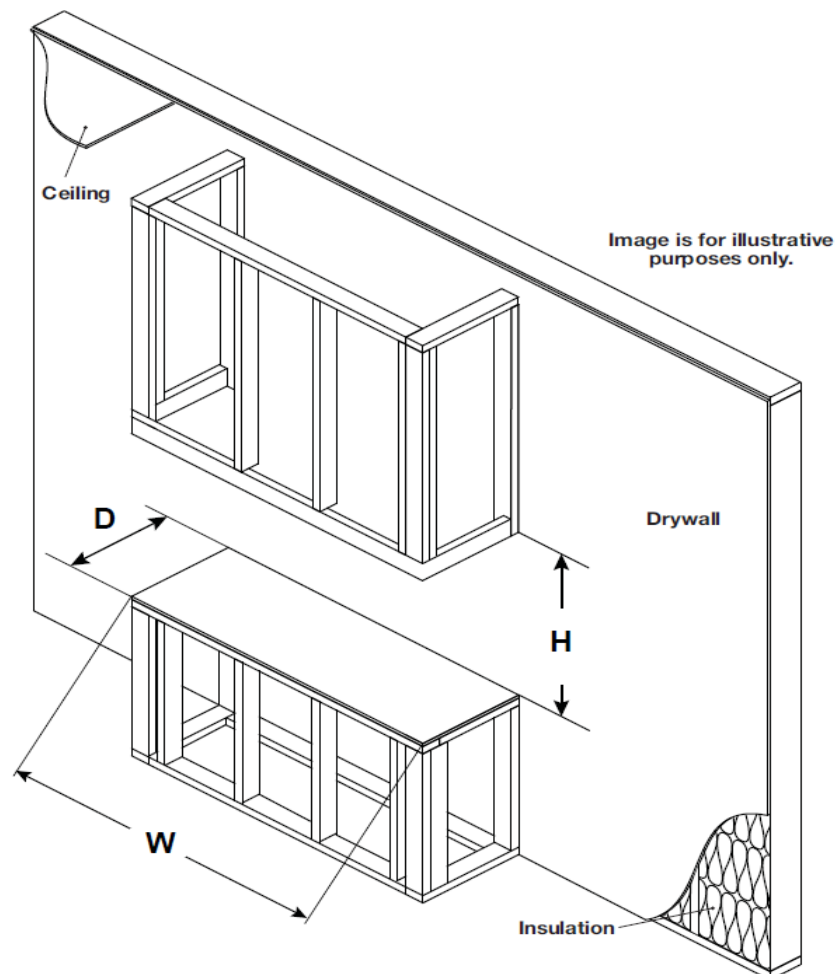
- Vidrio visible **EXCLUSIVAMENTE** desde el frente.
- El dispositivo está totalmente empotrado en un hueco en la pared.

Montaje/retirada del cristal de la parte delantera

- Retire todos los tornillos de la parte superior del panel de vidrio.
- Incline el panel frontal hacia adelante. Se necesitan dos personas para retirar el panel de vidrio.
- Para montar el panel frontal, siga los pasos anteriores en orden inverso.



Montaje/marco



Atención: Instale la chimenea de tal manera que, en caso de falla, se pueda quitar de la pared para fines de servicio.

Número de modelo	W	D	H
UNIQUE 107	1067 (mm)	210 (mm)	443 (mm)
UNIQUE 127	1262 (mm)	210 (mm)	443 (mm)
UNIQUE 153	1524 (mm)	210 (mm)	443 (mm)
UNIQUE 166	1650 (mm)	210 (mm)	443 (mm)
UNIQUE 183	1828 (mm)	210 (mm)	443 (mm)
UNIQUE 254	2540 (mm)	210 (mm)	443 (mm)

Atención:

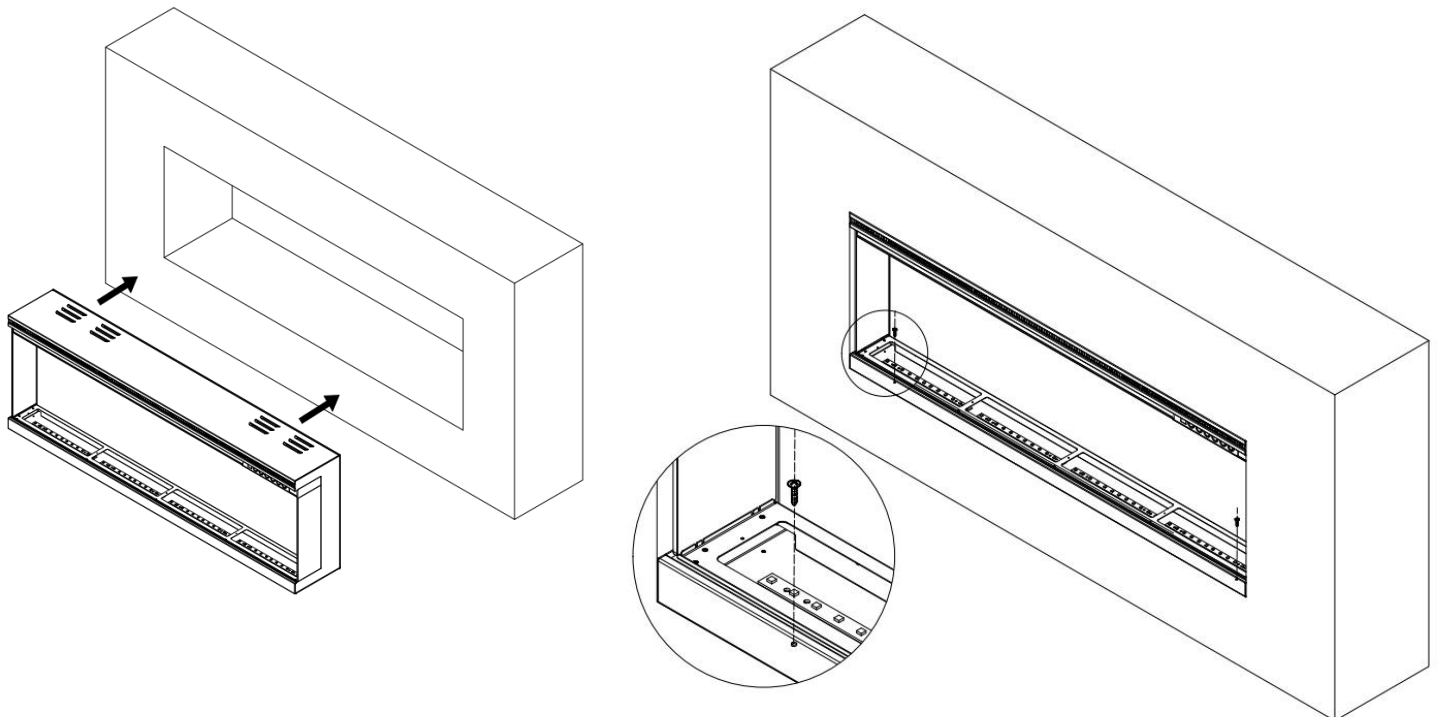
El dispositivo NO está diseñado para soportar cargas pesadas. La elección de los materiales de acabado debe considerarse cuidadosamente al montar el marco.

Asegúrese de que la instalación cumple con las normas y requisitos de construcción.

Todas las opciones de montaje implican los mismos requisitos relativos al marco.

Atención:

Si el dispositivo está completamente empotrado en la pared, la chimenea debe fijarse con tornillos cortos (B) **bajo la cama**. Ver ilustración más abajo



MONTAJE EN PARED

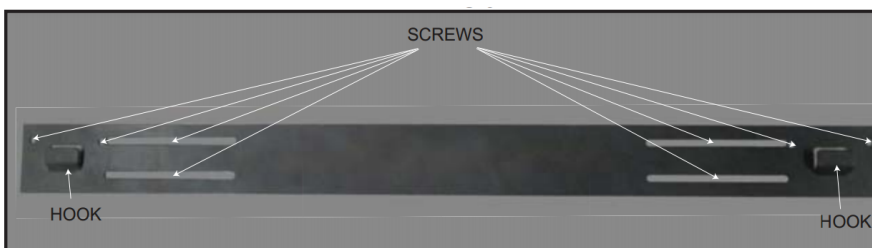
Debido a la gran variedad de materiales utilizados en diferentes paredes, se recomienda consultar a un profesional antes de instalar este dispositivo en la pared.

A. Elija un lugar que no sea susceptible a la humedad y que esté al menos a 100 cm de materiales inflamables, como cortinas, muebles, ropa de cama, papel, etc. B. Se necesitan dos personas para determinar la ubicación final.

C. Coloque el lado frontal de la carcasa de cara hacia abajo sobre una superficie suave y no abrasiva. Retire el soporte de la parte posterior del dispositivo desatornillando los tornillos, consulte la Figura 1.

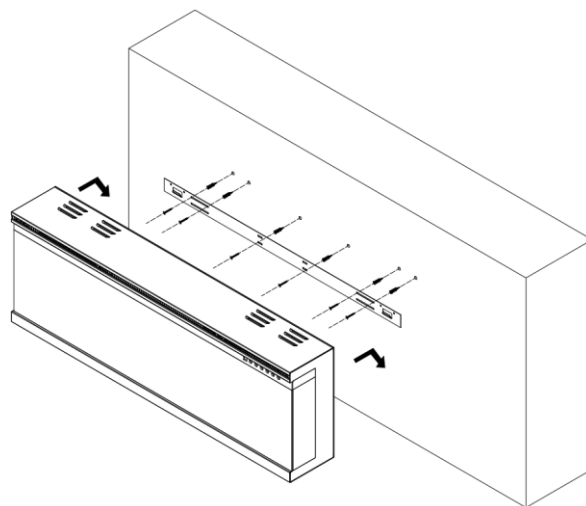
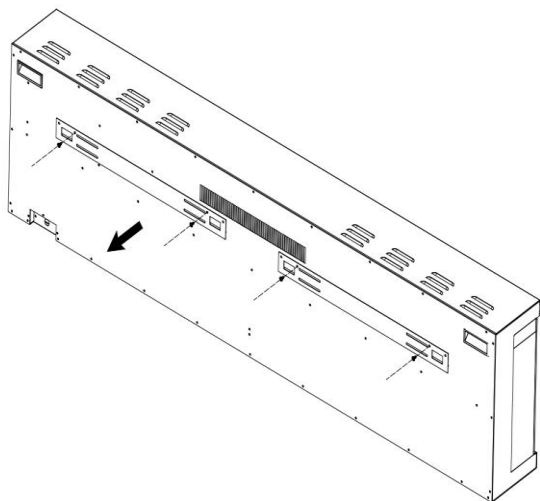
D. Marque la ubicación, luego fije los soportes a la pared con los tornillos provistos. Los soportes DEBEN apuntar hacia arriba y el soporte debe estar nivelado.

¡ATENCIÓN! Se recomienda encarecidamente que el soporte de montaje (E) se atornille a los tacos de pared siempre que sea posible. Si no se pueden usar los tornillos de pared, asegúrese de que los anclajes de plástico suministrados se utilicen para fijar el soporte a la pared y que el soporte esté bien sujeto.



E. Después de instalar el soporte de montaje en pared, levante el dispositivo con la ayuda de otra persona y coloque los dos ganchos del soporte en los orificios de la parte posterior del dispositivo.

F. Compruebe la estabilidad del dispositivo, asegurándose de que el soporte no salga de la pared.



UNIQUE 183

Montaje del soporte en forma de letra „L”

A. Retire el tornillo plateado de la parte inferior del dispositivo. (Fig. 1-1). Coloque el tornillo en un lado.

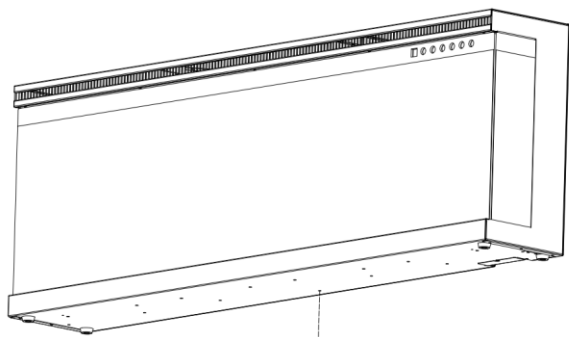


Fig 1-1 ↓

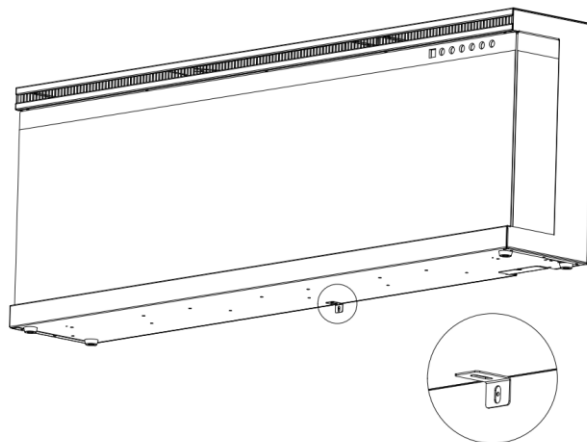


Fig 1-2

B. Utilice este tornillo para montar el soporte en forma de „L” (J) en el fondo de la chimenea. (Fig. 1-2)

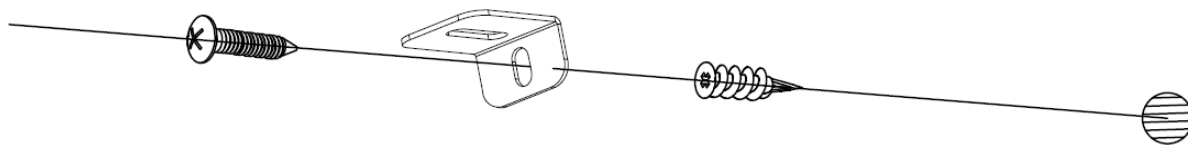


Fig 1-3

C. Monte el anclaje de plástico (C) en la pared seca, a continuación, monte el tornillo más largo (B) (incluido en el conjunto) a través del agujero en el soporte en forma de „L” en el anclaje para fijar la chimenea a la pared. (Fig. 1-3)

Montaje de los troncos/cristales

(ATENCIÓN: Monte la cama según sus preferencias.)

A. Antes de montar los elementos de la cama, retire el panel de vidrio y los anclajes, monte el dispositivo en su lugar definitivo.

B. Coloque la cama (**E**) en su lugar, con la superficie mate hacia arriba. Coloque cuidadosamente los cristales (**H**) en la parte inferior de la parte delantera del dispositivo, tal y como se muestra en la imagen. Los cristales deben distribuirse de forma uniforme. **Fig. 2-1, Fig. 2-2**

C. Coloque los cristales grandes (**G**) sobre los cristales pequeños de cualquier forma. **Fig. 2-3**



Figure 2-1.



Figure 2-2.

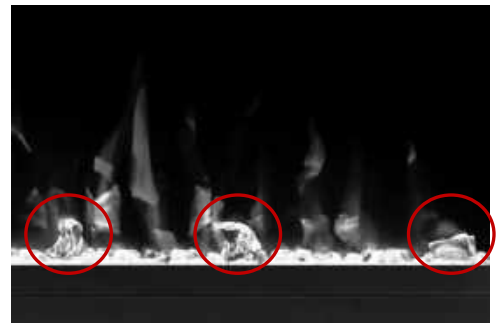


Figure 2-3.

Montaje de los elementos opcionales-troncos

Coloque cuidadosamente el juego de troncos (**F**) en el lugar designado en la chimenea. **Fig. 3**



Troncos (Figure 3.)

Funcionamiento



Antes de conectar o comenzar a utilizar el dispositivo, lea concienzudamente en su totalidad el manual completo del usuario, incluida toda la información de seguridad. El incumplimiento de estas instrucciones puede provocar incendios, descargas eléctricas o lesiones graves.

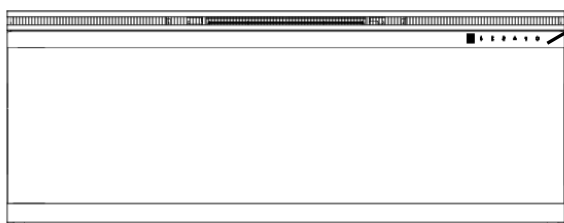
Conexión a la fuente de alimentación

Conecte el cable de alimentación a la toma de CA 220-240 V (consulte las **INSTRUCCIONES IMPORTANTES DE SEGURIDAD** en páginas 2 y 3). Asegúrese de que la enchufe de toma de corriente esté en buenas condiciones y que el enchufe macho no esté suelto. **NUNCA** no exceda la corriente de circuito permitida. **NO** conecte otros dispositivos al mismo circuito.

Modo de empleo

Esta chimenea se puede operar por medio del PANEL TÁCTIL ubicado en la parte frontal de la chimenea o mediante el CONTROL REMOTO, alimentado por baterías.





Antes de operar, lea las **INSTRUCCIONES IMPORTANTES DE SEGURIDAD** en las páginas 2 y 3 y sígalas.



Panel de control


Funcionamiento con panel de control

BOTÓN	FUNCIÓN	OPERACIÓN Y SEÑALIZACIÓN																																																				
 POWER	<p>ON Activa las funciones del panel de control y del mando a distancia. Se atribuye el efecto de llama.</p> <p>OFF Desactiva las funciones del panel de control y del mando a distancia. Apaga el efecto de llama.</p>	<ol style="list-style-type: none"> Presione una vez: El indicador se enciende. Encendiendo la fuente de alimentación. Todas las funciones activas. Presione de nuevo: Efecto de llama apagado. El dispositivo está en modo de espera. Todas las funciones desactivadas. 																																																				
 TEMP	<ol style="list-style-type: none"> Pulse una vez: Se enciende el testigo. La temperatura cambia a 18 °C Pulse de nuevo hasta alcanzar el ajuste deseado. La pantalla muestra la configuración de la tabla: 	<table border="1"> <tbody> <tr> <td>NO</td> <td>0</td> <td>1</td> <td>2</td> <td>3</td> <td>4</td> <td>5</td> <td>6</td> <td>7</td> <td>8</td> <td>9</td> <td>10</td> <td>N</td> </tr> <tr> <td>°C</td> <td>20</td> <td>21</td> <td>22</td> <td>23</td> <td>24</td> <td>25</td> <td>26</td> <td>27</td> <td>28</td> <td>29</td> <td>30</td> <td>C</td> </tr> <tr> <td>°F</td> <td>68</td> <td>70</td> <td>72</td> <td>74</td> <td>76</td> <td>78</td> <td>80</td> <td>82</td> <td>84</td> <td>86</td> <td>88</td> <td>F</td> </tr> <tr> <td></td> <td>69</td> <td>71</td> <td>73</td> <td>75</td> <td>77</td> <td>79</td> <td>81</td> <td>83</td> <td>85</td> <td>87</td> <td></td> <td></td> </tr> </tbody> </table> <p>ATENCIÓN: Pulse y mantenga pulsado el botón durante 5 segundos, la escala cambiará de °C a °F. Igual que °F a °C.</p>	NO	0	1	2	3	4	5	6	7	8	9	10	N	°C	20	21	22	23	24	25	26	27	28	29	30	C	°F	68	70	72	74	76	78	80	82	84	86	88	F		69	71	73	75	77	79	81	83	85	87		
NO	0	1	2	3	4	5	6	7	8	9	10	N																																										
°C	20	21	22	23	24	25	26	27	28	29	30	C																																										
°F	68	70	72	74	76	78	80	82	84	86	88	F																																										
	69	71	73	75	77	79	81	83	85	87																																												


 TIMER	<p>Botón del temporizador: Ajuste la configuración del temporizador para apagar la chimenea a una hora determinada.</p> <p>Rango de ajuste de 0,5 a 8 horas.</p>	<ol style="list-style-type: none"> 1. Presione una vez: El indicador se encenderá. Programador ajustado a 0,5 horas. 2. Presione nuevamente hasta que el ajuste deseado sea. El indicador muestra el ajuste.
 HEATER	<p>Botón CALENTADOR: Enciende y apaga el calentador.</p> <p>¡ATENCIÓN! Para evitar el sobrecalentamiento, el ventilador del calentador soplará aire fresco durante 10 segundos antes de encenderlo y después de que se este se haya apagado.</p>	<ol style="list-style-type: none"> 1. Presione una vez: El indicador se enciende. El ventilador expulsa aire fresco durante 10 segundos. El calentador se encenderá en nivel bajo y expulsará aire caliente. 2. Presione de nuevo: El indicador se ilumina. El calentador se encenderá en nivel alto y expulsará aire caliente. 3. Presione de nuevo: El calentador se apagará. El ventilador expulsa aire fresco durante 10 segundos permitiendo que el calentador se enfríe, luego se apaga.
 FLAME COLOR	<p>Botón de COLOR: Cambio de color para el efecto de llama.</p> <p>¡ATENCIÓN! El efecto de color permanece activo hasta que se presiona el botón de encendido. El efecto de color debe de estar encendido para activar el calentador.</p>	<ol style="list-style-type: none"> 1. Presione una vez: Cambio del color de la llama. 2. Presione nuevamente hasta obtener el ajuste deseado. Hay 6 colores disponibles
 FLAME BRIGHTNESS	<p>Botón LLAMA: ajusta el brillo de la llama.</p> <p>¡ATENCIÓN! El efecto de llama permanece activo hasta que se presiona el botón de encendido. El efecto de llama debe estar encendido para activar el calentador.</p>	<ol style="list-style-type: none"> 1. Presione una vez: Cambiando el brillo del efecto llama. 2. Presione nuevamente hasta obtener el ajuste deseado.



Funcionamiento con mando a distancia

BOTÓN	FUNCIÓN	OPERACIÓN Y SEÑALIZACIÓN
 POWER	<p>ON Activa las funciones del panel de control y del mando a distancia. Se atribuye el efecto de llama.</p> <p>OFF Desactiva las funciones del panel de control y del mando a distancia. Apaga el efecto de llama.</p>	<ol style="list-style-type: none"> 1. Presione una vez: El indicador se enciende. Encendiendo la fuente de alimentación. Todas las funciones activas. 2. Presione de nuevo: Efecto de llama apagado. El dispositivo está en modo de espera. Todas las funciones desactivadas.

 TEMP	<p>1. Pulse una vez: Se enciende el testigo.</p> <p>2. Pulse de nuevo hasta alcanzar el ajuste deseado. La pantalla muestra la configuración de la tabla:</p> <table border="1" data-bbox="282 260 1515 432"> <tr> <td>NO</td><td>0</td><td>1</td><td>2</td><td>3</td><td>4</td><td>5</td><td>6</td><td>7</td><td>8</td><td>9</td><td>10</td><td>N</td> </tr> <tr> <td>°C</td><td>20</td><td>21</td><td>22</td><td>23</td><td>24</td><td>25</td><td>26</td><td>27</td><td>28</td><td>29</td><td>30</td><td>C</td> </tr> <tr> <td>°F</td><td>68</td><td>70</td><td>72</td><td>74</td><td>76</td><td>78</td><td>80</td><td>82</td><td>84</td><td>86</td><td>88</td><td>F</td> </tr> <tr> <td></td><td>69</td><td>71</td><td>73</td><td>75</td><td>77</td><td>79</td><td>81</td><td>83</td><td>85</td><td>87</td><td></td><td></td> </tr> </table> <p>ATENCIÓN: Pulse y mantenga pulsado el botón durante 5 segundos, la escala cambiará de °C a °F. Igual que °F a °C.</p>		NO	0	1	2	3	4	5	6	7	8	9	10	N	°C	20	21	22	23	24	25	26	27	28	29	30	C	°F	68	70	72	74	76	78	80	82	84	86	88	F		69	71	73	75	77	79	81	83	85	87		
NO	0	1	2	3	4	5	6	7	8	9	10	N																																										
°C	20	21	22	23	24	25	26	27	28	29	30	C																																										
°F	68	70	72	74	76	78	80	82	84	86	88	F																																										
	69	71	73	75	77	79	81	83	85	87																																												
 TIMER	<p>Botón del temporizador: Ajuste la configuración del temporizador para apagar la chimenea a una hora determinada.</p> <p>Rango de ajuste de 0,5 a 8 horas.</p>	<ol style="list-style-type: none"> 1. Presione una vez: El indicador se encenderá. Programador ajustado a 0,5 horas. 2. Presione nuevamente hasta que el ajuste deseado sea. El indicador muestra el ajuste. 																																																				
 SPEED	<p>Velocidad del efecto: Cambio de velocidad del efecto de llama. Existen 3 niveles de velocidad: 01 (lento), 02 (medio), 03 (rápido).</p>	<ol style="list-style-type: none"> 1. Pulse una vez. Se enciende el testigo. La velocidad cambia 2. Pulse de nuevo hasta alcanzar el ajuste deseado. Por defecto 03. 																																																				
 FLAME COLOR	<p>Botón de COLOR: Cambio de color para el efecto de llama.</p> <p>¡ATENCIÓN! El efecto de color permanece activo hasta que se presiona el botón de encendido. El efecto de color debe de estar encendido para activar el calentador.</p>	<ol style="list-style-type: none"> 1. Presione una vez: Cambio del color de la llama. 2. Presione nuevamente hasta obtener el ajuste deseado. Hay 6 colores disponibles 																																																				
 FLAME BRIGHTNESS	<p>Botón LLAMA: ajusta el brillo de la llama.</p> <p>¡ATENCIÓN! El efecto de llama permanece activo hasta que se presiona el botón de encendido. El efecto de llama debe estar encendido para activar el calentador.</p>	<ol style="list-style-type: none"> 1. Presione una vez: Cambiando el brillo del efecto llama. 2. Presione nuevamente hasta obtener el ajuste deseado. 																																																				
 EMBER LIGHTS	<p>Botón de retroiluminación del tronco: Hace que cambie el color en la parte inferior del efecto.</p> <p>ATENCIÓN: El efecto de color permanece activo hasta que se pulsa el botón de encendido.</p> <p>ATENCIÓN: Esta chimenea cuenta con la función de guardar la configuración de la retroiluminación.</p>	<ol style="list-style-type: none"> 1. Pulse una vez. Cambio de color de la retroiluminación 2. Pulse de nuevo hasta alcanzar el ajuste deseado. Existen 10 colores disponibles. 3. Ciclo automático: Al pulsar 11 veces, los colores de la retroiluminación cambiarán automáticamente (ATENCIÓN: el cambio de colores dura 15 segundos.) 																																																				

 <p>EMBER BRIGHTNESS</p>	<p>Brillo de la retroiluminación: Cambio del brillo de la retroiluminación.</p> <p>ATENCIÓN: El brillo de la retroiluminación permanece activo hasta que se pulsa el botón de encendido.</p>	<ol style="list-style-type: none"> 1. Pulse una vez. Cambio del brillo de la retroiluminación. 2. Pulse de nuevo hasta alcanzar el ajuste deseado. Existen 5 niveles disponibles. <p>De L1 - L2 - L3 - L4 - L5-L0 (OFF)</p>
--	--	--

¡ATENCIÓN! Durante la primera puesta en marcha del calentador, puede aparecer un olor ligero. Este es un fenómeno normal y no debe repetirse a menos que el calentador no se use durante mucho tiempo.

¡ATENCIÓN! Para mejorar el rendimiento, **dirija** al frente de la chimenea. **NO presione los botones demasiado rápido.** Espere un momento hasta que el dispositivo responda a cada comando.


Control de limitación de temperatura.

El calentador está equipado con control de limitación de temperatura. En caso de temperaturas peligrosamente altas, el calentador se apagará. Para restaurar su funcionamiento:

1. Desenchufe el cable de alimentación de la toma de corriente.
2. Gire el interruptor de ENCENDIDO / APAGADO en el PANEL DE CONTROL en posición OFF. **Espere 5 minutos.**
3. Compruebe que las rejillas de ventilación de la chimenea no estén cubiertas u obstruidas con polvo. En el caso de obstrucción, use una aspiradora para limpiarlo.
4. Con el interruptor en la posición OFF, vuelva a conectar el cable de alimentación a la toma de corriente de la pared.
5. Si el problema persiste, haga verificar la conexión y el cableado por un especialista.


Información sobre las pilas del mando a distancia

- El mando a distancia utiliza una pila CR2025 (Incluida)

 **NUNCA** tire las pilas al **fuego**. El incumplimiento de este requisito **puede provocar una explosión**. Las baterías usadas se deben tirar en contenedores especialmente marcados o entregarse en el Punto de recogida selectiva de residuos municipales.

Limpieza y mantenimiento

Limpieza

 Antes de limpiar, mantener o mover la chimenea, debe **apagar SIEMPRE** el calefactor y **desconectar el cable de alimentación de la toma**. El incumplimiento de estas instrucciones puede provocar incendios, **descargas eléctricas o lesiones graves**.

 **NUNCA** sumerja el aparato en agua ni lo rocíe con agua. De lo contrario, se pueden producir **descargas eléctricas, incendios o lesiones**.

Elementos de metal:

- Pulir con un paño seco, ligeramente humedecido en un producto de limpieza a base de aceites cítricos.
- **NO** use productos de limpieza para pulir latón o productos de limpieza domésticos, ya que estos productos dañarán el acabado metálico.

Elementos de vidrio:

- Use un limpiador de vidrios de alta calidad, rociando sobre un paño o toalla. Seque bien con una toalla de papel o un paño que no suelte pelusa.
- **NUNCA** use limpiadores abrasivos, aerosoles u otros productos que puedan arañar la superficie.

Rejillas de ventilación:

- Elimine el polvo y la suciedad de las superficies del calentador y la rejilla con una aspiradora o un paño para polvo.

Componentes de plástico:

- Limpie suavemente con un paño ligeramente humedecido con una solución suave de detergente para platos y agua tibia.
- **NUNCA** use limpiadores abrasivos, aerosoles u otros productos que puedan arañar la superficie.

Mantenimiento



¡Riesgo de descarga eléctrica! ¡NO ABRIR ningún panel! ¡El dispositivo no contiene partes para auto-reparación!



Antes de limpiar, mantener o mover la chimenea, debe **apagar SIEMPRE** el calefactor y **desconectar el cable de alimentación de la toma**. El incumplimiento de estas instrucciones puede provocar incendios, **descargas eléctricas o lesiones graves**.

Componentes eléctricos y móviles:

- Los motores de los ventiladores han sido pre-lubricados y no requieren lubricación posterior.
- Los componentes eléctricos están integrados en el dispositivo y no pueden ser reparados individualmente.

Almacenamiento:

Guarde el dispositivo no utilizado en un lugar limpio y seco.



¡ADVERTENCIA! Los componentes eléctricos internos **NO ESTÁN DISEÑADOS** para la reparación propia del usuario.



WEEE:

Utilización y reciclaje:

Este dispositivo no puede desecharse con los residuos municipales normales y no separados. Utilice puntos de recogida especiales. Póngase en contacto con su autoridad local para obtener información sobre los sistemas de recolección disponibles. Si desecha dispositivos eléctricos en vertederos, las sustancias peligrosas pueden filtrarse al agua subterránea y llegar a la cadena alimenticia, lo que puede tener un efecto adverso en la salud y el bienestar.

En el caso de reemplazo de aparatos viejos por uno nuevo, el vendedor está legalmente obligado a aceptar el dispositivo viejo para reciclarlo sin ningún cargo adicional.

Instrucciones de vinculación de aplicaciones

1. Descarga la aplicación

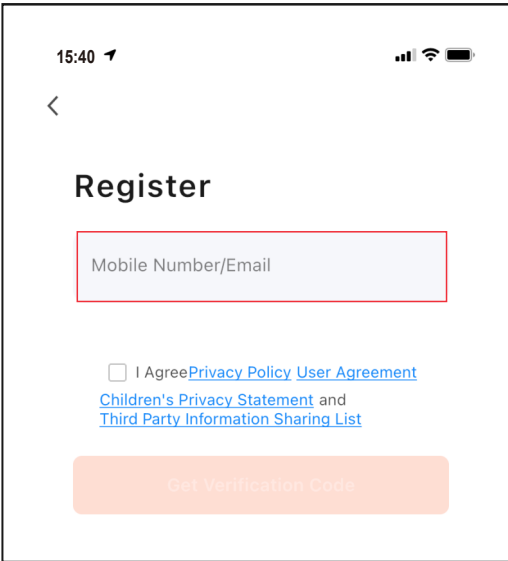
- Descarga "Tuya Smart" desde la tienda de aplicaciones.
- Escanea el código QR.
- Encienda "GPS" en su dispositivo móvil.



Nota: asegúrese de que su teléfono móvil esté conectado a la señal WIFI más cercana.

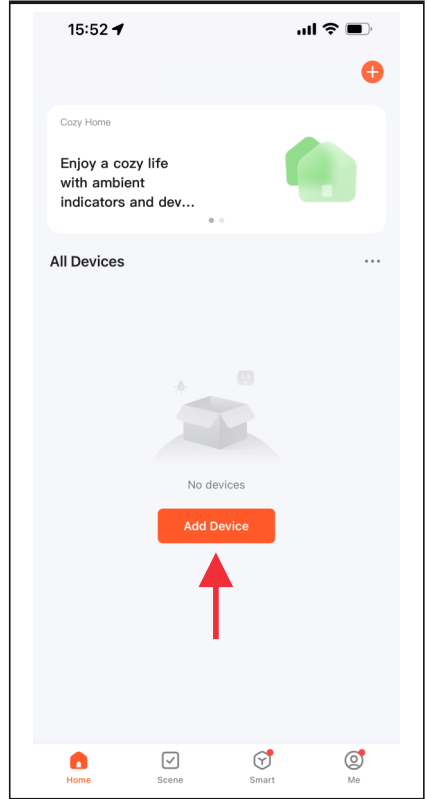
2. Acceso

- Regístrese con su correo electrónico o número de teléfono móvil como nombre de usuario.
- Establezca la contraseña de tu cuenta.



3. Añadir dispositivo

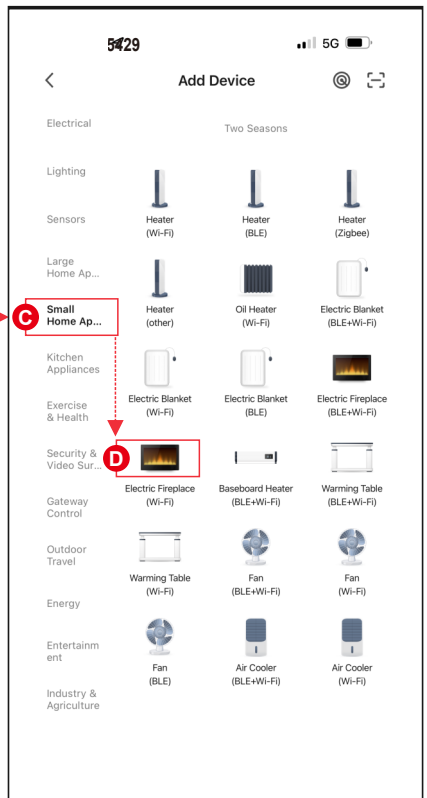
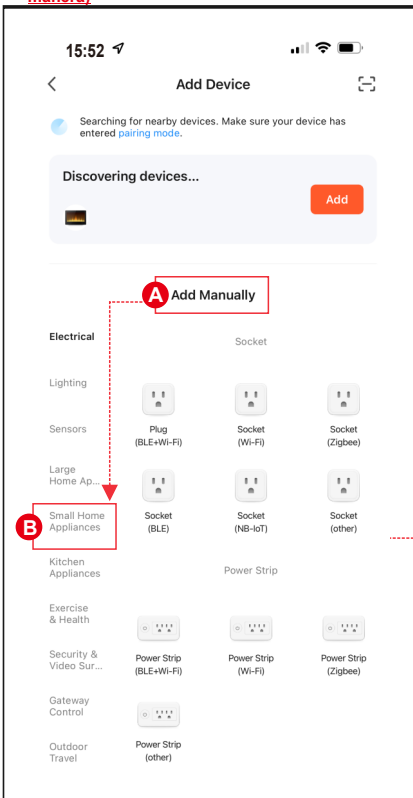
Después de crear una cuenta, inicie sesión y seleccione el botón "Agregar dispositivo".




3. Agregar dispositivo - continuación

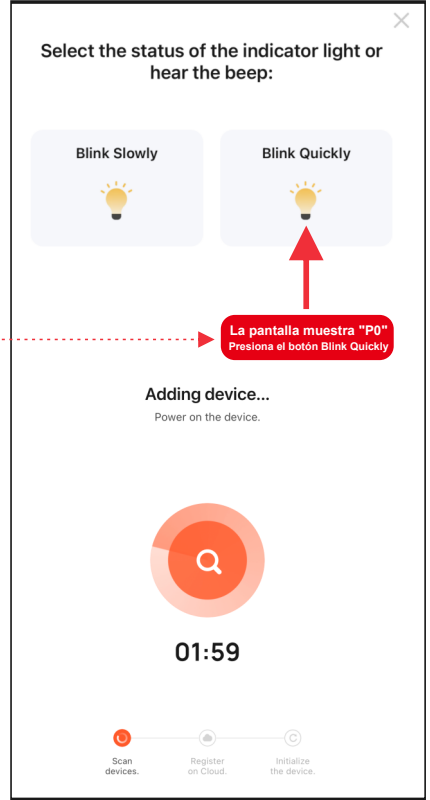
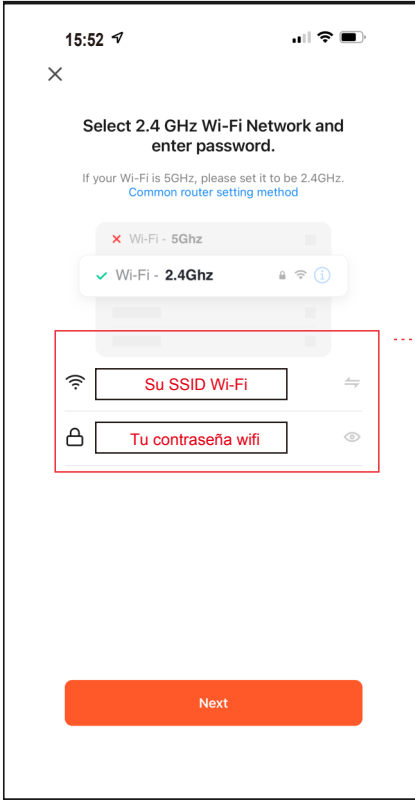
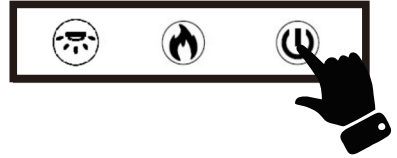
Hay tres métodos para agregar una chimenea eléctrica.

- Método 1: Añadir manualmente en modo "P0". Siga los pasos A, B, C, D a continuación.
- Método 2: Añadir manualmente en modo "P1". Siga los pasos A, B, C, D a continuación.
- **Método 3: agregar a través de Bluetooth. Encienda Bluetooth en su teléfono móvil antes de agregar. (La mejor manera)**




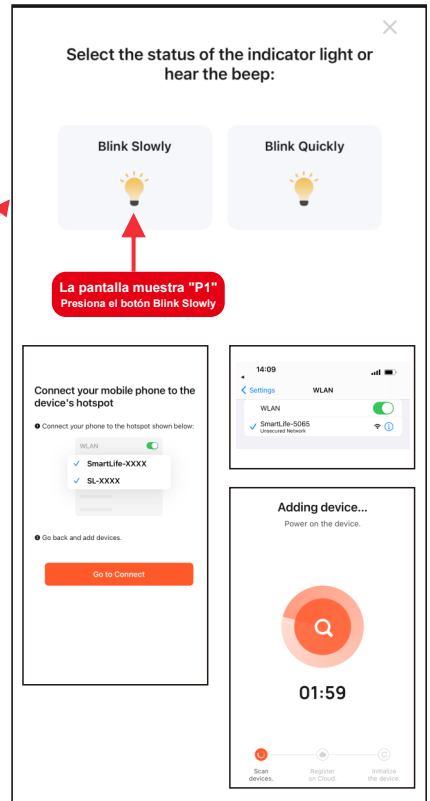
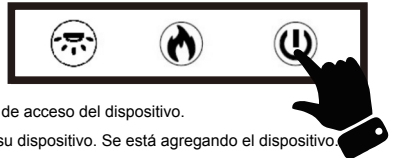
4. Método de conexión 1 - (P0)

- Mantenga presionado  en el control remoto y escuchará un "bip" de la chimenea.
- Ingrese el nombre y la contraseña de WIFI, luego presione **"Next"** para emparejar.
- Presione el botón **Blink Quickly**, se agrega el dispositivo.

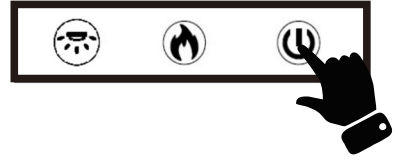


4. Método de conexión 2 - (P1)

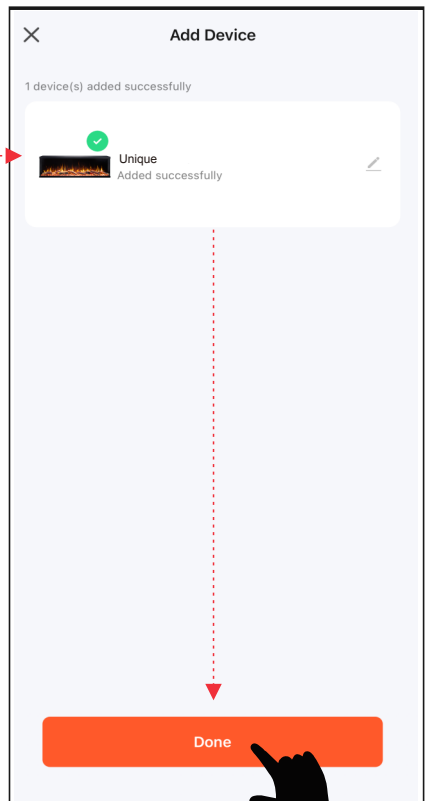
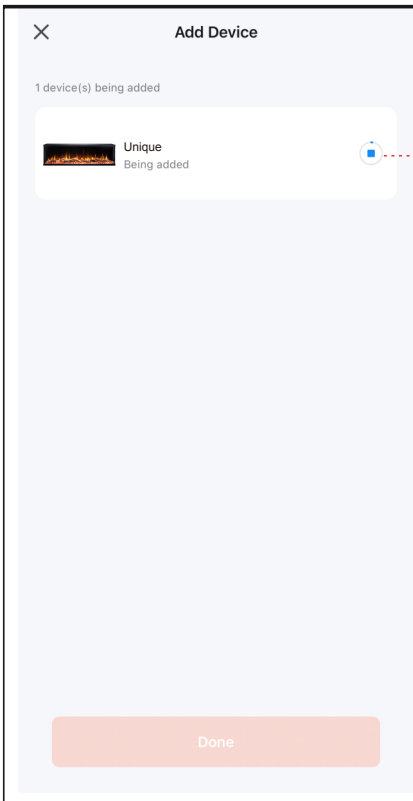
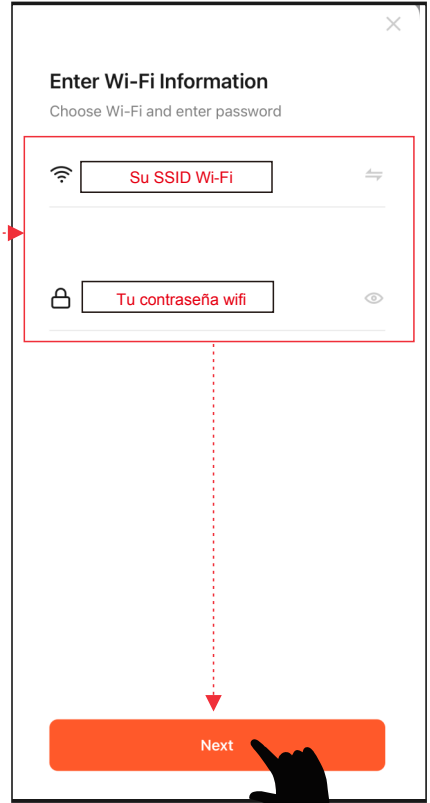
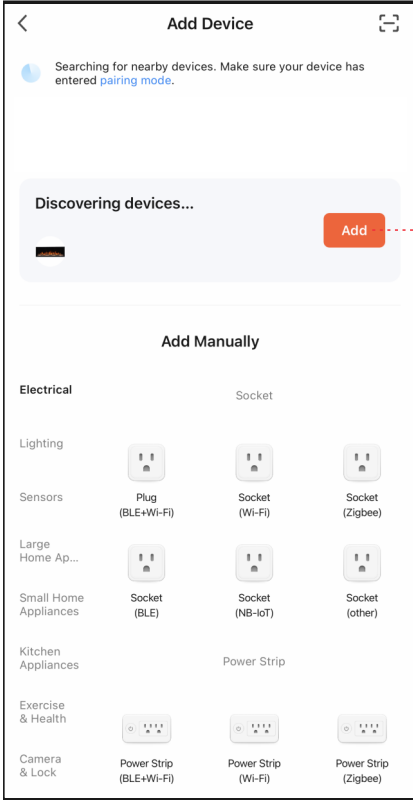
- Mantenga presionado  en el control remoto y escuchará un "bip" de la chimenea.
- Ingrese el nombre y la contraseña de WIFI, luego presione **"Next"** para emparejar.
- Presione el botón **Blink Slowly**. Luego proceda a conectar su teléfono móvil al punto de acceso del dispositivo.
- Seleccione el punto de acceso de su dispositivo (**SmartLife-xxxx**), luego regrese a su dispositivo. Se está agregando el dispositivo.



4. Método de conexión 3 - (Bluetooth)

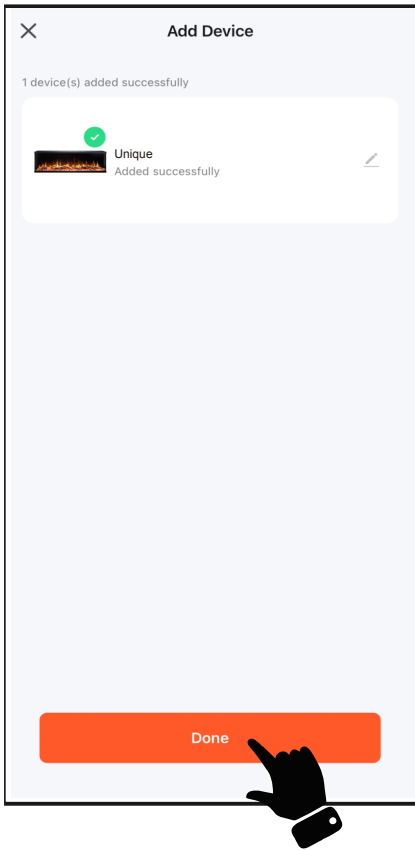


- Mantenga presionado **U** en el control remoto y escuchará un "bip" de la chimenea.
- Presione **Add** cuando vea un dispositivo llamado "Unique".
- Ingrese el nombre y la contraseña de WIFI, luego presione "Next" para emparejar.

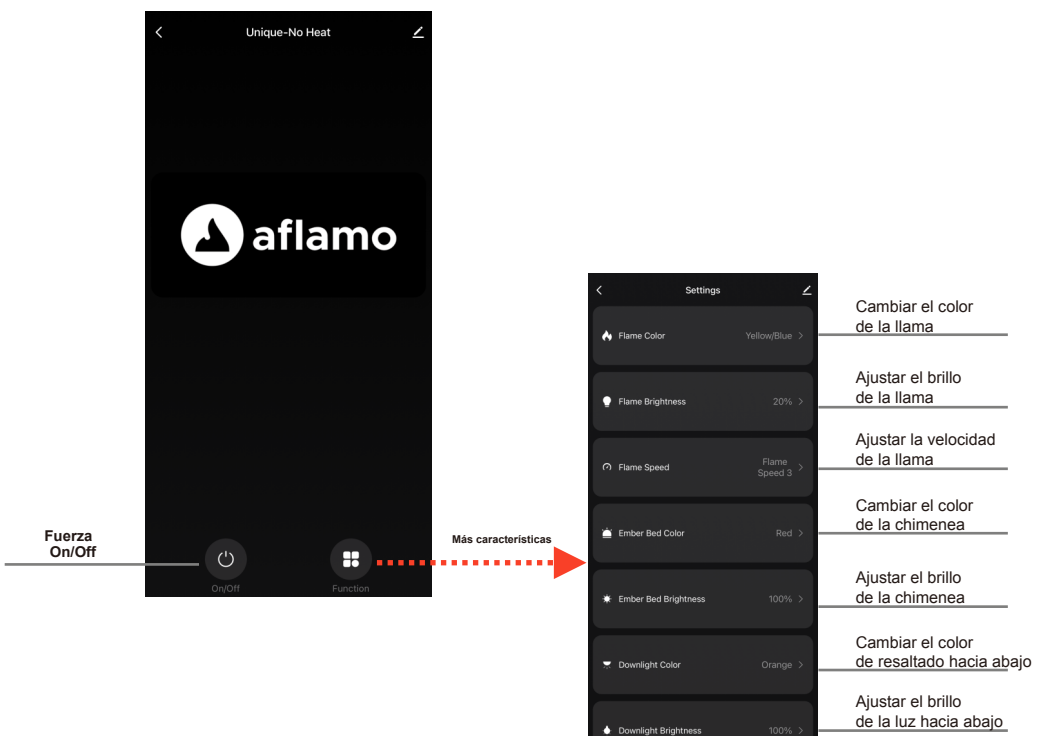


5. Terminado

- Presiona **Done** para terminar.

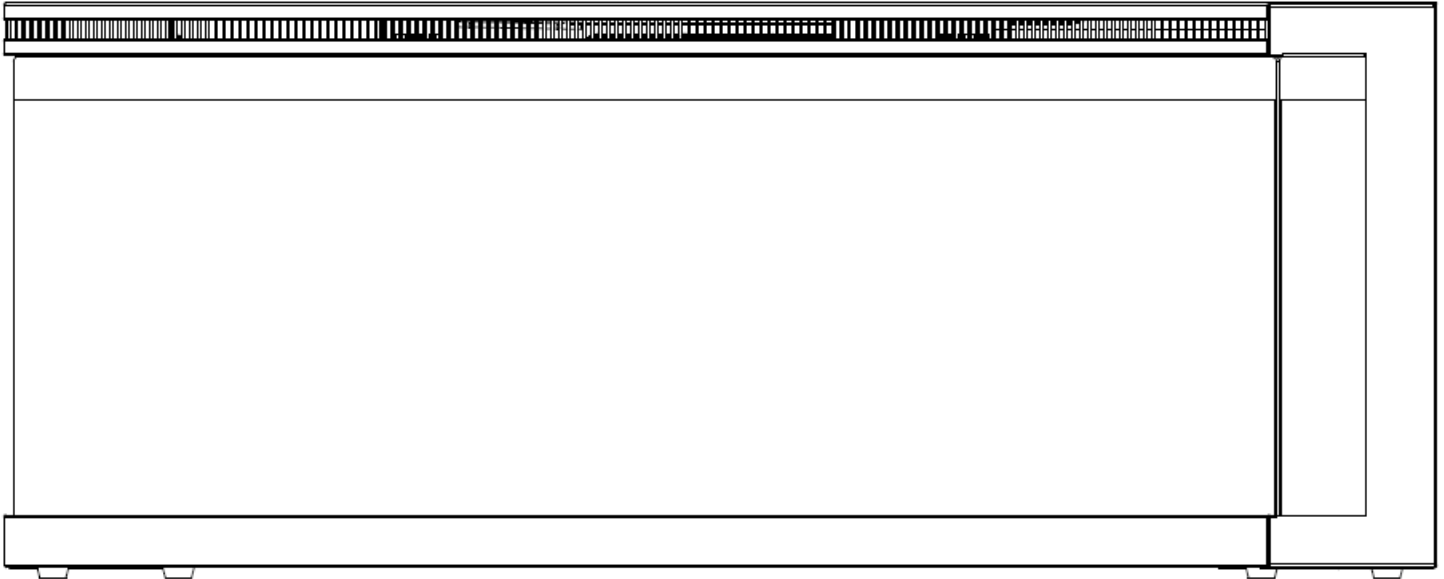


Manual de aplicación



AFLAMO UNIQUE


A5 BI 9 @8 D H=@G5 HCB




UNIQUE 107/127/153/166/183/254

Foyer électrique mural / à encastrer

57 `&&\$J!& (\$J ``) \$<n``% \$\$!% \$\$K `

 <p>5 J9 FHGG9 A9BH</p>	<p>5 j UbhXYfUWwcfXYf ou d' i h]]gYf l'appareil, `]gYn`YhWca dfYbYn le manuel d'utilisation complet, y compris lci hYg`Yg`Wcbg][bYg`XY`gfW f]hf. Le non-respect de cette exigence peut entraîner un]bWwbX]Yzi b`W cWf`Ywf]ei Y`ci `XYg`V`Yggi fYg] fUj Yg"</p>
---	---

 <p>5 HH9 BHCB</p>	<p>7 cbgYfj Yn`W`a Ubi Y`Xfi h]]gU]cb pour pouvoir l'utiliser dans le futur. Si vous vendez ou remettez l'appareil,]`YghYggYbh]Y`ei Y`j ci g`c][b]Yn`Y`a Ubi Y`X@ h]]gU]cb`{ `W`i]!W"</p>
--	--



7 CBG B9 G'89 'Gv7I F#tv '

5 J9 FH=GG9 A9 BH

@fgei Y'j ci g'i h`j]gYn`XY`f`fei JdYa Ybhf`Ywf]ei YzdfYbYn`lci `ci fg`XYg`df`fWU h`cbg`XY`VUgY`dci f`ffXi]fY`Yg`f]gei Yg`Xf]bWbX]YzXY`W cWf`Ywf]ei Y`YhXY`V`Yggi fYg`W`fdcfY`Yg`zYb`hYbUbhW`a dH`XY`W`ei]`gi]h.

- Lisez toutes les instructions avant d'utiliser cet appareil.
- L'appareil se réchauffe pendant le fonctionnement. Pour éviter les brûlures, ne touchez pas les surfaces chaudes. Si possible, utilisez les poignées pour déplacer l'appareil. Gardez les matériaux combustibles tels que meubles, oreillers, literie, documents, vêtements et rideaux à au moins 1 m de l'avant de l'appareil. Éloignez tous ces objets des côtés et de l'arrière de l'appareil. Pour éviter toute surchauffe, ne couvrez pas l'appareil.
- Soyez particulièrement prudent lorsque vous utilisez l'appareil de chauffage près d'enfants ou de personnes handicapées et lorsqu'il est allumé sans surveillance.
- Lorsqu'il n'est pas utilisé, débranchez l'appareil de l'alimentation électrique.
- N'utilisez pas l'appareil si le câble d'alimentation ou la fiche est endommagée, ou en cas de défaillance de l'appareil, de chute de hauteur. Retournez l'appareil à un centre de service agréé pour inspection, réglage électrique ou mécanique ou réparation.
- L'appareil est conçu uniquement pour un usage à l'intérieur.
- N'utilisez pas l'appareil dans les salles de bains, les buanderies et d'autres endroits similaires. Ne placez jamais l'appareil dans un endroit où il pourrait tomber dans une baignoire ou un autre réservoir d'eau.
- Ne faites pas passer le câble d'alimentation sous un tapis. Ne couvrez pas le câble avec des tapis ou des moquettes. Éloignez le câble des endroits fréquemment utilisés afin que personne ne trébuche dessus.
- Pour arrêter l'appareil, mettez tous les voyants sur "OFF", puis débranchez le câble d'alimentation de la prise murale.
- N'insérez pas ou ne laissez pas d'objets de quelque nature que ce soit pénétrer dans les ouvertures de ventilation ou les événements d'aération, car cela pourrait provoquer un choc électrique, un incendie ou endommager l'appareil.
- Pour éviter tout risque d'incendie, ne bloquez en aucune façon les entrées et sorties d'air. N'utilisez pas l'appareil sur des surfaces souples telles que des lits où les ouvertures peuvent être bloquées.
- Le foyer a des éléments chauffants à l'intérieur et peut produire des étincelles et des arcs électriques. N'utilisez pas l'appareil dans les zones de stockage d'essence, de peintures ou d'autres liquides inflammables.
- N'utilisez le foyer que de la façon décrite dans ce manuel. Toute autre utilisation non recommandée par le fabricant peut provoquer un incendie, un choc électrique ou des blessures corporelles.
- DANGER - Des températures élevées peuvent être générées dans des conditions de fonctionnement inadéquates. Ne couvrez pas tout ou partie de l'avant de l'appareil.
- Les lampes ne peuvent être remplacées qu'après que le foyer ait été débranché de l'alimentation électrique.
- Cet appareil n'est pas destiné à être utilisé par les personnes (y compris les enfants) ayant des capacités physiques, mentales ou sensorielles réduites ou un manque de connaissances ou d'expérience appropriées, à moins qu'elles ne soient sous la supervision d'une personne responsable de leur sécurité ou qu'elles ne reçoivent des instructions d'une telle personne. Il faut s'assurer que les enfants ne jouent pas avec l'appareil.
- ATTENTION : Afin d'éviter tout risque de remise à zéro involontaire des interrupteurs de surcharge thermique, le foyer ne doit pas être raccordé à un dispositif de commutation externe tel qu'un programmateur ou un circuit à allumage et extinction cyclique.

Df f dUf Uħcb



Ce produit est équipé d'un panneau de verre ! Soyez toujours très prudent lorsque vous manipulez du verre. Le non-respect de cette consigne peut entraîner des blessures corporelles ou des dommages matériels.

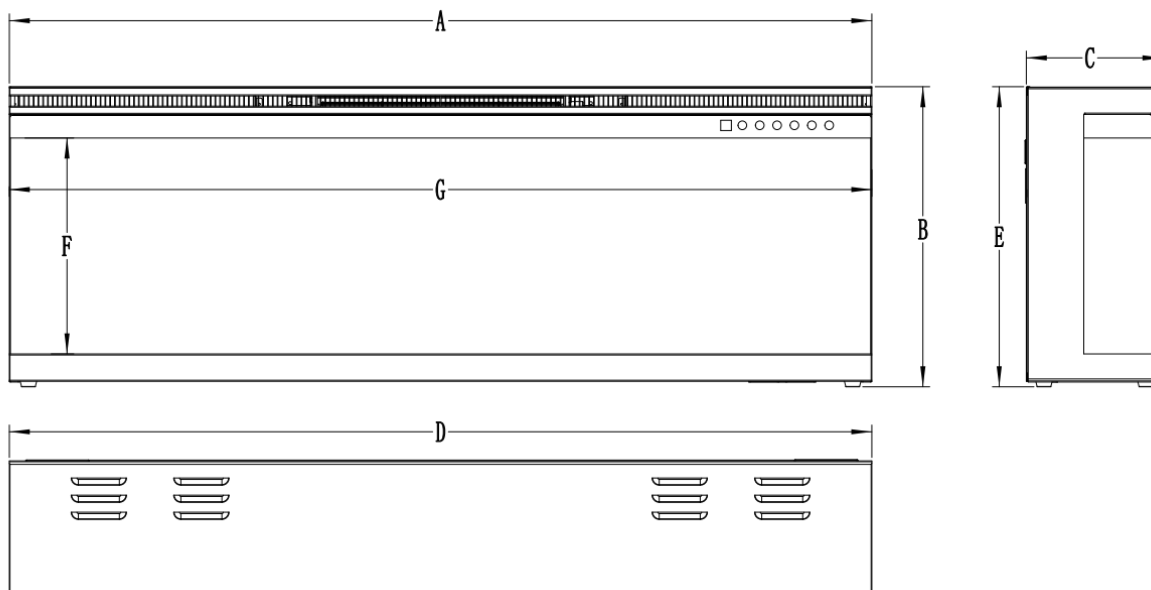
Retirez tous les composants et les éléments de montage du carton et placez-les sur une surface propre, souple et sèche. Vérifiez la liste des pièces pour vous assurer qu'il ne manque rien. Les matériaux d'emballage doivent être éliminés de façon appropriée. Dans la mesure du possible, les déchets devraient être remis pour retraitement.

Les **ci ħ'g'gi lj Ubħg'gYfcbhbfWVggUjfYg'fbc b'jbWi gŁ**: tournevis Phillips, niveau à bulle, mesure, perceuse, marteau.

7 ca dcgUbħg'Yħf`fa Ybħg'XYZİ Uħcb

<p>5 - Foyer</p>				
	6 !Vis à bois		7 !Ancrages	
	8 !Télécommande		9 !Lit	
<p>: !Bûches</p>	<p>; -Cristaux - grands</p>	<p><!Cristaux - petits</p>	<p>≠Support mural Monté à l'arrière du boîtier</p>	<p>>!Support en forme de L</p>

GdfWZVUħcb`Yħ8 ja Ybg]cb



8 -A9BG-CBG'8I 'DFC8I ÷fba a Ł

Bi a ffc'XY'a cX,,\Y	5'	6'	7'	8'	9'	:'	;'
5J!KA%\$+I B=	%\$*+'	(('\$'	&\$\$\$'	%\$*+'	(('\$'	' %'	%\$*)'
5J!KA%&+I B=	%&* &'	(('\$'	&\$\$\$'	%&* &'	(('\$'	' %'	%&* \$'
5J!KA%&' I B=	%& &'	(('\$'	&\$\$\$'	%& &'	(('\$'	' %'	%& &&'
5J!KA%*' I B=	%) \$'	(('\$'	&\$\$\$'	%) \$'	(('\$'	' %'	%(, '
5J!KA%&' I B=	% & ,'	(('\$'	&\$\$\$'	% & ,'	(('\$'	' %'	% &*'
5J!KA&)(I B=	&)(\$'	(('\$'	&\$\$\$'	&)(\$'	(('\$'	' %'	&)' ,'

AcbHJ Y'Yh]bghU`Ujcb

L'appareil est conçu pour être monté sur un mur, encastré et/ou dans un boîtier. Choisissez un endroit qui n'est pas sensible à l'humidité et éloigné des rideaux, des meubles et de la circulation intense.

5 HH9BH-CB'. F YgdYWN'hc i hYg`Yg'ff[`Ya YbHJ]cbg'f`YWF]ei Yg'bUj]cbU'Yg`Yh`cWU'Yg"l b' W'V`Y`XfU]a YbHJ]cb`YghZci fb]Uj YW`Y`Z:mf'f`YWF]ei Y" @g]bgfi W]cbg`XY'fUW'fX'Ya Ybh XY`UW'bbYI]cb`Z]I Y`Z]I i fYbh{`UgYW]cb'gi f`Ya cbHJ Y'XY`UW'bbYI]cb`Z]I Y"

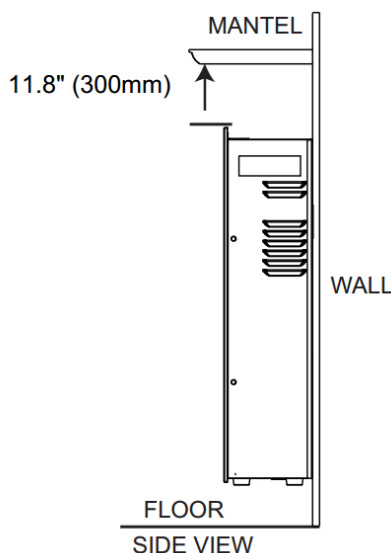
8 -GH5 B79`A-B-A5 @`D5 F`F5 DDCFH'5I L`A5 HvF-5I L`-B: @ AA56 @G

@g'a Ygi fYg'gcbhYZZYWi fYg'{'dUhf'XY`UZ, UXY'Yb'j YffY"			
6 Ug	\$"	<U h	,`fl \$\$a a Ł{'dUhf'Xi `Vc%Yf'
7' hf g	\$"	<U h	,`fl \$\$a a Ł{'dUhf'Xi `d`U'cbX
5 ff],fY	\$"		

8 -GH5 B79`A-B-A5 @`D5 F`F5 DDCFH'5I `6 C`H9F

5 HH9BH-CB

@CFG'89`@ H-@G5H-CB'89`D9-BHI F9`CI `89`J9FB-G'DCI F`@ : -BH-CB'8I `6 C`H9FZ @`D9-BHI F9`CI ` @`J9FB-G'8C-H'áHF9`FvG-GH5BH'Æ @`7<5 @I F`DCI F`vJ`H9F`@`8v7C @CF5H-CB"



5 HH9 BH-CB

5 J5 BH'89`7CAA9B79F`@`HF5J5`-@vH9` B9N7CAD@H9A9BH`@5DD5F9`-@9H5HH9B89NEI f@F9: FC-8-GG9` G9I @`I B9`D9FGCBB9`EI 5 @` 9`D9I H9: : 97HI 9F`89G`HF5J5I L`89BHF9H9B`9H'89`FvD5F5H-CB`

7CBB9L-CB: 49

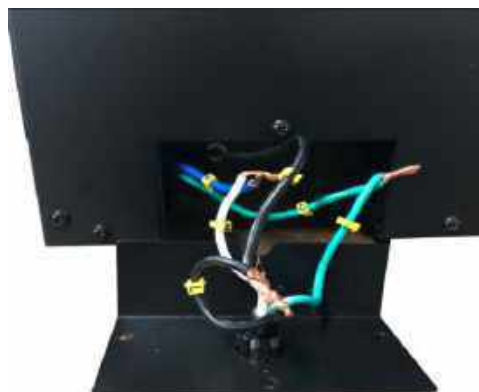
Dans le cas d'une connexion fixe, un électricien qualifié doit débrancher la connexion câblée et connecter l'appareil directement au câblage de la maison. 5 HH9 BH-CB` .`bhffl dhY f`XY`%` `Ua d,,fYg`fti `d`i gLfYei]g`

À la connexion fixe, l'appareil doit être branché et mis à la terre conformément aux réglementations locales. En l'absence de réglementation locale, le NATIONAL ELECTRICAL CODE doit être appliqué.

Fig.A



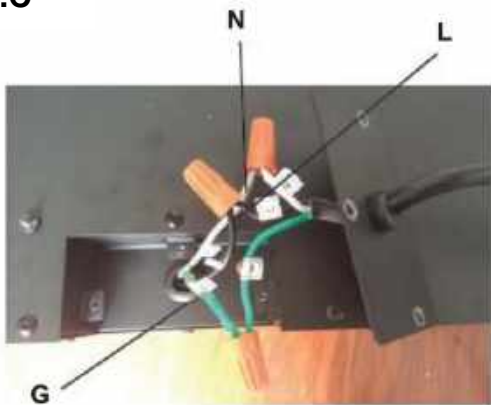
Fig.B



HCI H'8 5 6 CF8 ž8 v6 F5 B7 <9N`@5 @A9BH5 H-CB`v @7 HF-EI 9`89`@BH9FFI DH9I F

- A. Retirez les trois vis pour enlever le couvercle à droite du fond de l'appareil comme indiqué ci-dessus (VOIR LA FIG. A).
- B. Retirez le connecteur du câble d'alimentation. Le câble d'alimentation ne sera plus nécessaire (VOIR LA FIG. B).
- C. Faire un trou de 7/8 » (22,2 mm) dans le nouveau couvercle fourni. Connectez le connecteur à travers le trou du couvercle. Faites passer les fils par le connecteur.
- D. Connectez les fils de terre verts (G), les fils blancs standard (N) et ensuite les fils thermoélectriques noirs (L) en utilisant les connecteurs (VOIR LA FIG. C).
- E. Vissez le couvercle à l'aide de trois vis, comme indiqué sur la FIG. 4-1.

Fig.C

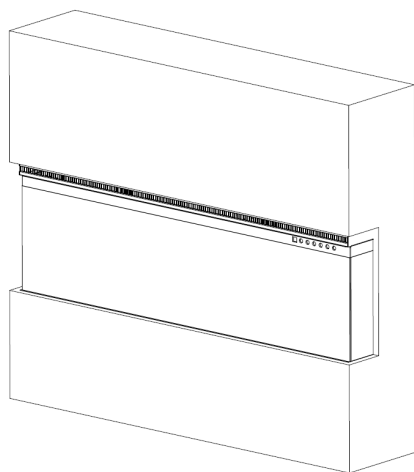


Connecteur



Couvercle

L'appareil peut être monté dans l'une des trois configurations suivantes : gja d`Y`ZjWZ`Xci V`Y`ZjW`Yhifjd`Y`ZjW`

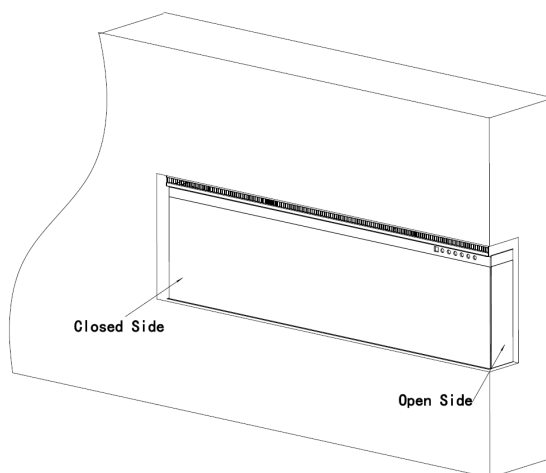


AcbHj Y`hifjd`Y`ZjW`

- Verre visible de face, de gauche et de droite.
- L'appareil est entièrement intégré dans l'évidement du mur, de sorte que les deux côtés sont visibles.

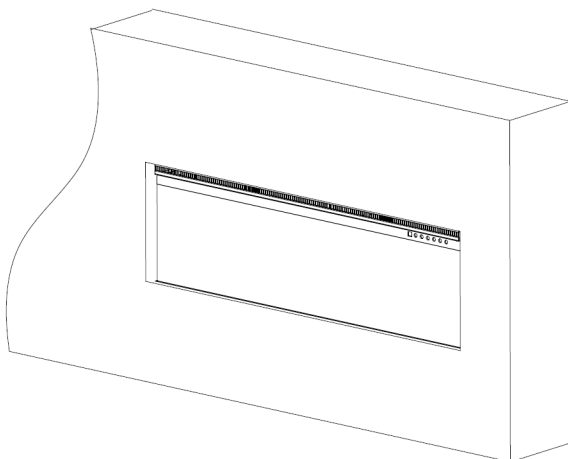
AcbHj Y`Xci V`Y`ZjW`

- Verre visible de face, de gauche ou de droite.
- L'appareil est entièrement intégré dans l'évidement du mur, de sorte qu'un côté soit visible.



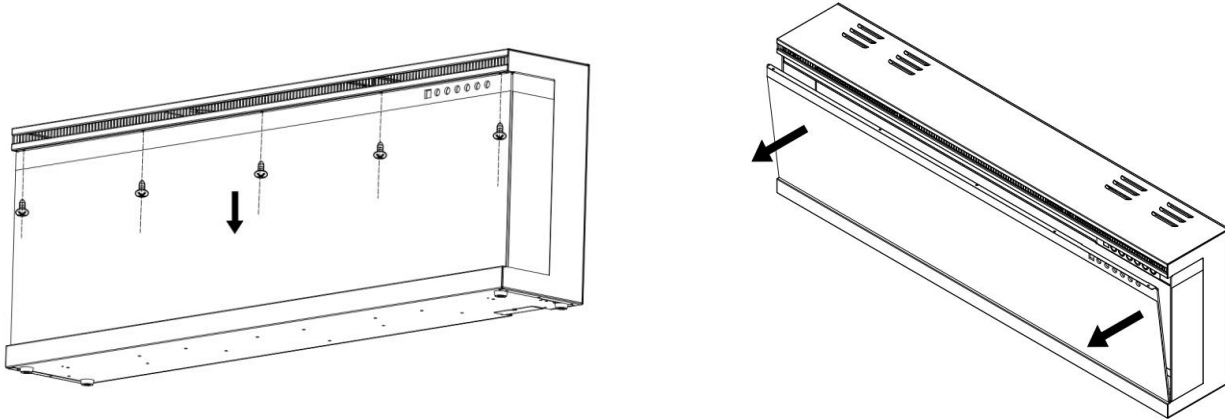
AcbHj Y`gja d`Y`ZjW`

- Verre visible UNIQUEMENT de face.
- L'appareil est entièrement intégré dans le mur.

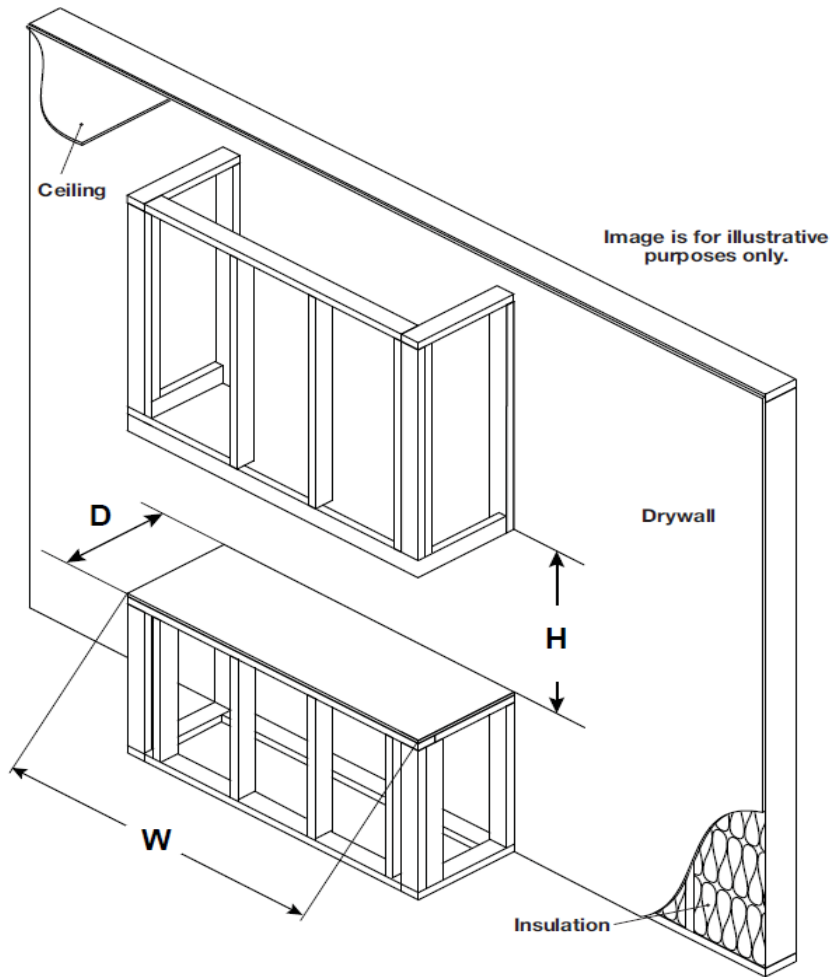


AcbHJ Y#Xfa cbHJ Y'Xi 'j YffY'gi f`Y'XYj Ubh

- Retirez toutes les vis du haut du panneau de verre.
- Inclinez le panneau avant vers l'avant. Vous aurez besoin de deux personnes pour retirer le panneau.
- Pour installer le panneau avant, suivez les étapes ci-dessus dans l'ordre inverse.



AcbHJ Y#WUXfY

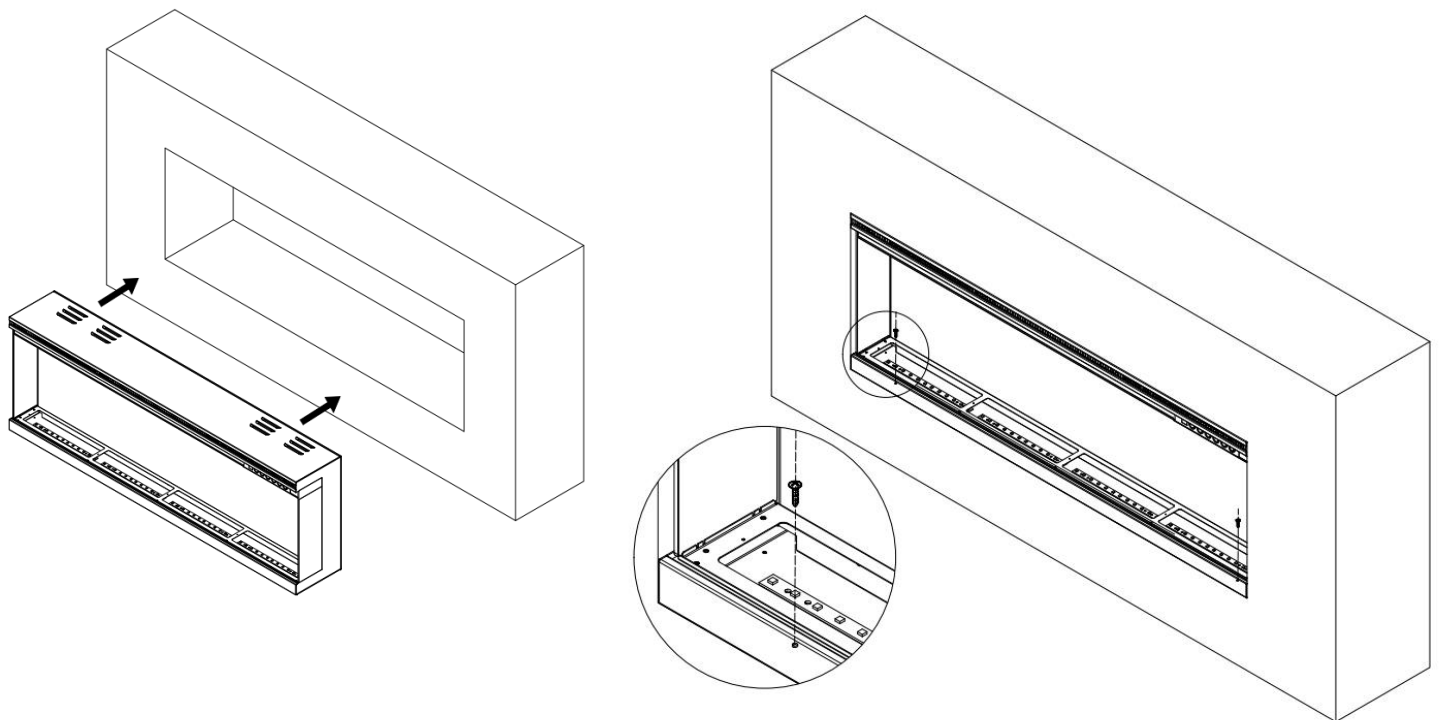


Attention: Installez le foyer de manière à ce qu'en cas de panne, il puisse être retiré du mur à des fins d'entretien.

Bi a ffc`XY`a cX,,`Y	K`	8`	<`
5 J!K A%\$+I B=	%\$* +`fa a L`	&%\$`fa a L`	((`fa a L`
5 J!K A%&+I B=	%&* &`fa a L`	&%\$`fa a L`	((`fa a L`
5 J!K A%`' I B=	%&(`fa a L`	&%\$`fa a L`	((`fa a L`
5 J!K A%*` I B=	%)`\$`fa a L`	&%\$`fa a L`	((`fa a L`
5 J!K A%`' I B=	%&(`fa a L`	&%\$`fa a L`	((`fa a L`
5 J!K A&)(I B=	&)(`fa a L`	&%\$`fa a L`	((`fa a L`

5 hYb hcb`.
 L'appareil n'est PAS conçu pour supporter de lourdes charges. Lors du montage du cadre, le choix des matériaux de finition doit être soigneusement étudié.
 Veillez à ce que le montage soit conforme aux réglementations et exigences en matière de construction.
 Toutes les options de montage ont les mêmes exigences concernant le cadre.

5 hYb hcb`.
 Si l'appareil est complètement encastré dans le mur, le foyer doit être fixé avec des vis courtes (B) gci g`Y`jh Cf. illustration ci-dessous



ACBH5 ; 9`AI F5 @

En raison des nombreux matériaux différents utilisés sur les différents murs, il est conseillé de consulter un professionnel avant d'installer cet appareil sur le mur.

5 " Choisissez un endroit à l'abri de l'humidité et à au moins 100 cm des matériaux inflammables tels que rideaux, meubles, literie, papier, etc.

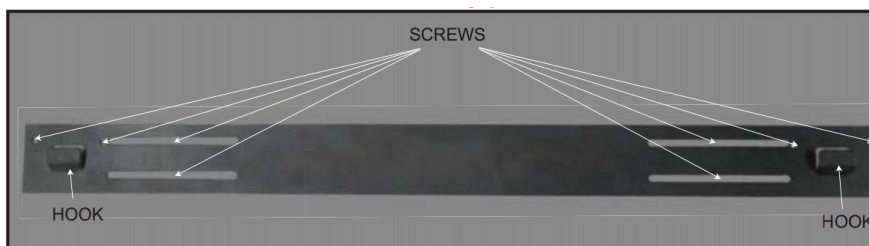
6 " Pour déterminer l'emplacement final, deux personnes sont nécessaires pour manipuler le foyer.

7 " Placez le boîtier face avant vers le bas sur une surface douce et non abrasive. Retirez le support à l'arrière de l'appareil en dévissant les vis, voir Figure 1.

8 " Repérez la position et fixez les supports au mur à l'aide des vis fournies. Les crochets du support DOIVENT être orientés vers le haut et le support lui-même doit être nivelé.

5 HH9BHCB. ÷`YghZcfhYa YbhfYWta a UbXf`XY`j]ggYf`Y`gi ddcfhXY` a cbhUj Yf0LUI I`W Yj]`Yg`

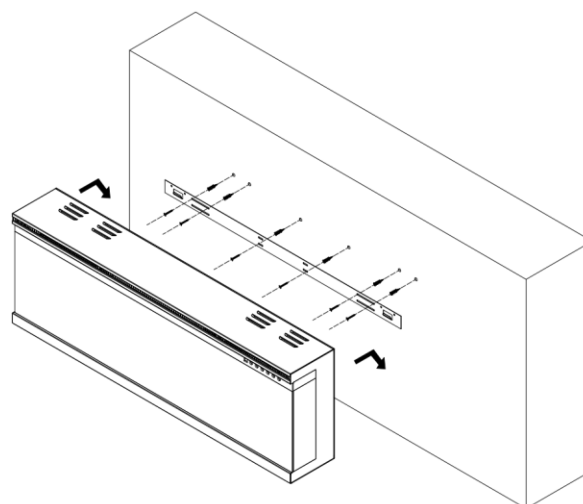
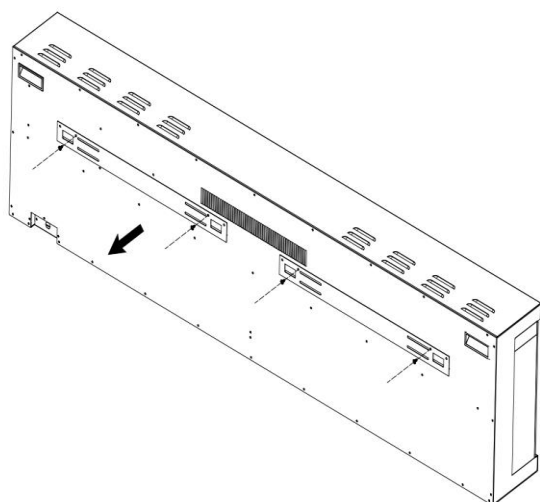
a i fUYg`XUbg`Ua Ygi fY` Xi`dcgg]V`Y"G]j ci g`bY` dci j Yn`dUg`i h`]gYf`XY`j]g` a i fUYgZUggi fYn!j ci g`ei Y` `Yg`UbWUj Yg`Yb`d`Ugh`ei Y`



Zci fb]g`gcbhi h`]gfg`dci f`Zl Yf`Y`gi ddcfhUi`a i f`Yhei Y`Y`gi ddcfhYgh Wc`ffYWYa YbhZl f`

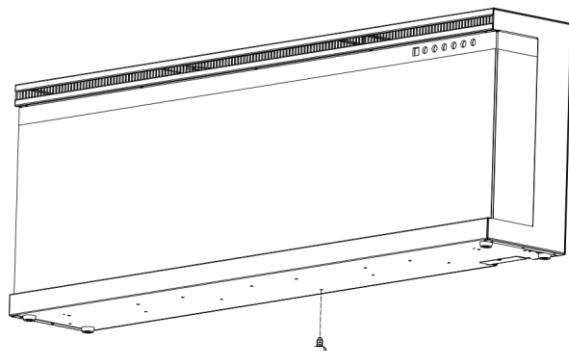
9 " Après avoir installé le support mural, soulevez l'appareil avec l'aide d'une autre personne et placez les deux crochets du support dans les trous du panneau arrière de l'appareil.

: " Vérifiez la stabilité de l'appareil en vous assurant que le support ne glisse pas hors du mur.

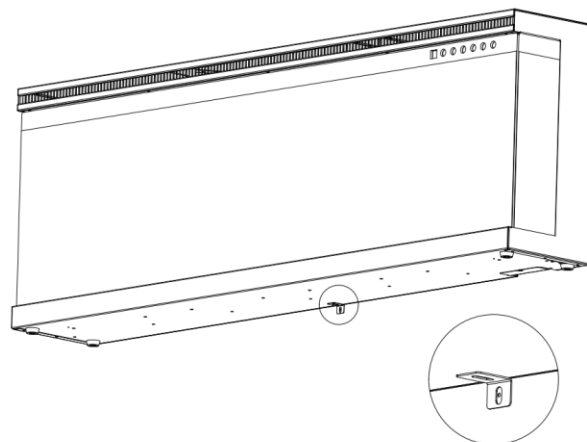


UNIQUE 183

5 Retirez la vis argentée située au bas de l'appareil. (:]['%%\$. Mettez la vis de côté.

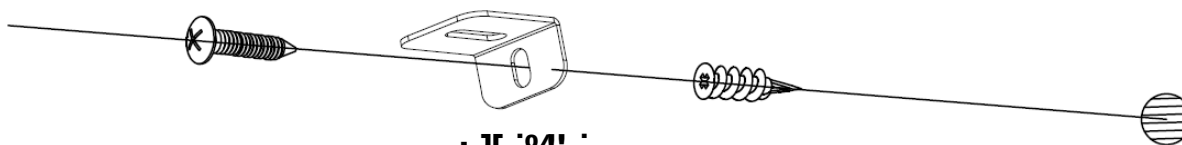


:]['%%\$



:]['%&

6 Utilisez cette vis pour monter le support en forme de L (>) au fond du foyer.. (:][' '%&)



:][' '%'

7 Installez l'ancrage en plastique (7) dans le mur sec, puis installez la vis la plus longue (6) (fournie) à travers le trou du support en L dans l'ancrage pour fixer le foyer au mur. (:][' '%'

AcbhUj Y'XY'V—W Yg#W]ghUj I

(5 HH9BHCB : Montez le lit comme vous le souhaitez.)

5 " Avant de monter les éléments du lit, retirez le panneau de verre et l'ancrage, installez l'appareil à sa place définitive.

6 " Mettez le lit (9) en place, surface mate vers le haut. Placez soigneusement les cristaux (<) au bas de la face avant de l'appareil, comme indiqué sur la figure. Les cristaux doivent être répartis de manière uniforme. :][" &!%ž:][" &!&

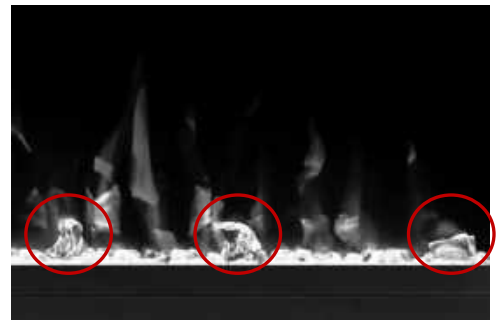
7 " Placez les gros cristaux (;) sur les plus petits comme vous le souhaitez. :][" &!' "



:][i fY &!%r'



:][i fY &!&"



:][i fY &!' "

AcbhUj Y'XY'`Ej`fa Ybhc dh]cbbY'fV—W YL

Placez soigneusement le jeu de bûches (:) à l'endroit prévu. :]["



6—W Y'fl][i fY' 'L

I h]gU]cb



Avant de fUWtXYf ou d'i h]gYf l'appareil, `]gYn` Yh Vta dfYbYn le manuel d'utilisation complet, y compris lci hYg`Yg`Vtbg]] bYg`XY`gfW f]hf. Le non-respect de cette exigence peut entraîner un]bWbX]Yzi b`W cWf`Ywf]ei YZXYg`V`Yggi fYg[fUj Yg`ci `Ua cfh'

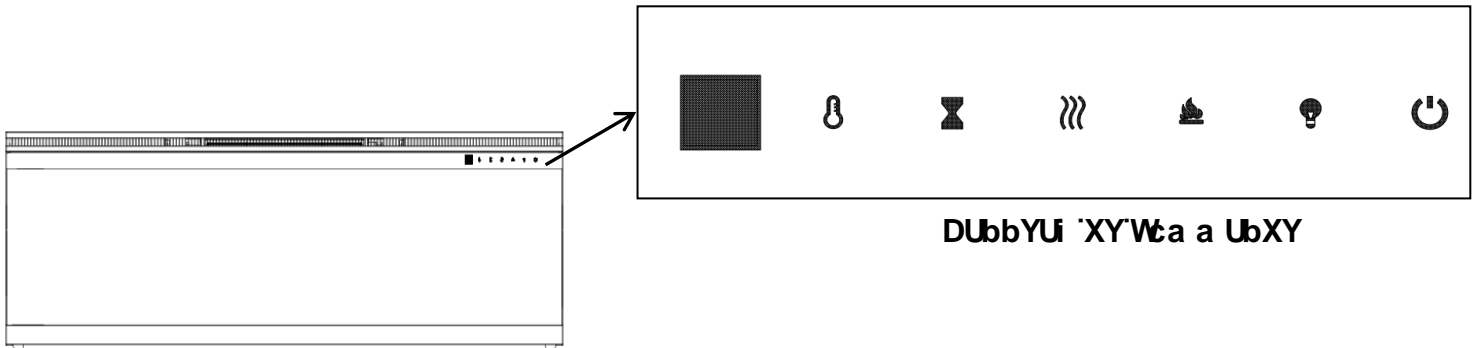
A]gY`gci g`hYbg]cb

Branchez le câble d'alimentation à une prise AC 220-240 V (voir -BGHF I 7 H-CBG` 8 9 `Gv7I F-#v` -ADCFH5 BH9G` dU] Yg` & Yh'). Assurez-vous que la prise de courant est en bon état et que la fiche n'est pas desserrée. B9` XfdUggYn` >5 A 5 -G le courant admissible pour le circuit. B9` VfUbW Yn` dUg d'autres appareils au même circuit.

A cXYg`X# h]gU]cb



Le foyer peut être utilisé avec le PANNEAU TACTILE dans la partie avant du foyer ou avec la TÉLÉCOMMANDE qui est alimentée par pile.





Avant d'utiliser l'appareil, lisez les -BGHF I 7 H-CBG` 8 9 `Gv7I F-#v` -ADCFH5 BH9G sur les dU] Yg` & Yh' et suivez-les.



DUbbYU` XYVta a UbXY


Utilisation du panneau de commande

6 CI HCB	: CB7 H-CB	: CB7 H-CBB9A9BH'9H'G- B5 @G5 H-CB																																																				
 DCK 9F	<p>5 7 H-Jv9` Active les fonctions du panneau de commande et de la télécommande. Active l'effet de flamme.</p> <p>8 v G5 7 H-Jv9 Verrouille les fonctions du panneau de commande et de la télécommande. Désactive l'effet de flamme.</p>	<p>1. 5 ddi mYn`i bY`Z]g : Le voyant s'allumera. Activation de l'alimentation électrique. Toutes les fonctions sont actives.</p> <p>2. 5 ddi mYn`{ `bci j YU : L'effet de flamme s'éteint. L'appareil est en mode veille. Toutes les fonctions sont inactives.</p>																																																				
 H9AD	<p>1. 5 ddi mYn`i bY`Z]g : Le voyant s'allumera. La température passera à 18°C.</p> <p>2. 5 ddi mYn`{ `bci j YU : jusqu'à ce que le réglage désiré soit atteint. L'écran affiche le réglage à partir du tableau :</p> <table border="1" data-bbox="259 1717 1494 1885"> <thead> <tr> <th>NO</th> <th>0</th> <th>1</th> <th>2</th> <th>3</th> <th>4</th> <th>5</th> <th>6</th> <th>7</th> <th>8</th> <th>9</th> <th>10</th> <th>N</th> </tr> </thead> <tbody> <tr> <td>°C</td> <td>20</td> <td>21</td> <td>22</td> <td>23</td> <td>24</td> <td>25</td> <td>26</td> <td>27</td> <td>28</td> <td>29</td> <td>30</td> <td>C</td> </tr> <tr> <td>°F</td> <td>68</td> <td>70</td> <td>72</td> <td>74</td> <td>76</td> <td>78</td> <td>80</td> <td>82</td> <td>84</td> <td>86</td> <td>88</td> <td>F</td> </tr> <tr> <td></td> <td>69</td> <td>71</td> <td>73</td> <td>75</td> <td>77</td> <td>79</td> <td>81</td> <td>83</td> <td>85</td> <td>87</td> <td></td> <td></td> </tr> </tbody> </table> <p>5 HH9BH-CB : Appuyez sur le bouton et maintenez-le enfoncé pendant 5 secondes, l'échelle passe de °C à °F. De même de °F à °C.</p>		NO	0	1	2	3	4	5	6	7	8	9	10	N	°C	20	21	22	23	24	25	26	27	28	29	30	C	°F	68	70	72	74	76	78	80	82	84	86	88	F		69	71	73	75	77	79	81	83	85	87		
NO	0	1	2	3	4	5	6	7	8	9	10	N																																										
°C	20	21	22	23	24	25	26	27	28	29	30	C																																										
°F	68	70	72	74	76	78	80	82	84	86	88	F																																										
	69	71	73	75	77	79	81	83	85	87																																												


 H-A9F	<p>6 ci hcb`XYdfc[fUa a U]cb : Réglage du programmateur pour éteindre le foyer à un certain moment.</p> <p>Plage de réglage de 0,5 à 8 heures.</p>	<ol style="list-style-type: none"> 5 ddi nYn`i bY`Z]g : Le voyant s'allumera. Programmateur réglé sur 0,5 heure. 5 ddi nYn`{ `bci j YU `1 gei f[`W`ei Y`Yff[`U] Y` Xfg]f`gc]h`UHy]bh` Le voyant indique le réglage.
 <95H9F	<p>6 ci hcb`XY8 -GDCG-H` `89`7 <5I : : 5 ; 9 Permet d'allumer et d'éteindre le dispositif de chauffage.</p> <p>5 HH9BH-CB : Pour éviter la surchauffe, le ventilateur du dispositif de chauffage soufflera de l'air frais pendant 10 secondes avant la mise en marche du dispositif de chauffage et après l'avoir éteint.</p>	<ol style="list-style-type: none"> 5 ddi nYn`i bY`Z]g. Le voyant s'allumera. Le ventilateur souffle de l'air frais pendant 10 secondes. Le bas niveau du dispositif de chauffage s'allume et de l'air chaud est fourni. 5 ddi nYn`{ `bci j YU " Le voyant est allumé. Le niveau élevé du dispositif de chauffage s'allume et de l'air chaud est fourni. 5 ddi nYn`{ `bci j YU . Le dispositif de chauffage s'éteindra. Le ventilateur souffle de l'air frais pendant 10 secondes, en permettant de refroidir le dispositif de chauffage, il s'éteint ensuite.
 : @A9` 7C@CF`	<p>6 ci hcb`XY7CI @I F : Changement de couleur pour l'effet de flamme.</p> <p>5 HH9BH-CB : L'effet de couleur reste activé jusqu'à ce que le bouton d'alimentation soit appuyé. L'effet de couleur de la flamme doit être activé pour que le dispositif de chauffage démarre.</p>	<ol style="list-style-type: none"> 5 ddi nYn`i bY`Z]g : Changement de couleur de la flamme. 5 ddi nYn`{ `bci j YU jusqu'à ce que le réglage désiré soit atteint. 6 couleurs sont disponibles.
 : @A9` 6F= <HB9GG	<p>Bouton de FLAMME : permet de régler la luminosité de la flamme.</p> <p>ATTENTION : L'effet de flamme reste activé jusqu'à ce que le bouton d'alimentation soit appuyé. L'effet de flamme doit être activé pour que le dispositif de chauffage démarre.</p>	<ol style="list-style-type: none"> Appuyez une fois : Changement de la luminosité de l'effet de flamme. Appuyez à nouveau jusqu'à ce que le réglage désiré soit atteint.



Utilisation de la télécommande

6I HHCb`	: I B7H-CB`	57H-CB/ `B8-75H-CB`
 DCK 9F	<p>ACTIVÉE Active les fonctions du panneau de commande et de la télécommande. Active l'effet de flamme.</p> <p>DÉSACTIVÉE Verrouille les fonctions du panneau de commande et de la télécommande. Désactive l'effet de flamme.</p>	<ol style="list-style-type: none"> Appuyez une fois : Le voyant s'allumera. Activation de l'alimentation électrique. Toutes les fonctions sont actives. Appuyez à nouveau : L'effet de flamme s'éteint. L'appareil est en mode veille. Toutes les fonctions sont inactives.

 <p>H9AD</p>	<p>1. 5 ddi mYn'i bYZjg : Le voyant s'allumera.</p> <p>2. 5 ddi mYn' { 'bci j YU : jusqu'à ce que le réglage désiré soit atteint. L'écran affiche le réglage à partir du tableau :</p> <table border="1" data-bbox="277 264 1513 432"> <thead> <tr> <th>NO</th> <th>0</th> <th>1</th> <th>2</th> <th>3</th> <th>4</th> <th>5</th> <th>6</th> <th>7</th> <th>8</th> <th>9</th> <th>10</th> <th>N</th> </tr> </thead> <tbody> <tr> <td>°C</td> <td>20</td> <td>21</td> <td>22</td> <td>23</td> <td>24</td> <td>25</td> <td>26</td> <td>27</td> <td>28</td> <td>29</td> <td>30</td> <td>C</td> </tr> <tr> <td>°F</td> <td>68</td> <td>70</td> <td>72</td> <td>74</td> <td>76</td> <td>78</td> <td>80</td> <td>82</td> <td>84</td> <td>86</td> <td>88</td> <td>F</td> </tr> <tr> <td></td> <td>69</td> <td>71</td> <td>73</td> <td>75</td> <td>77</td> <td>79</td> <td>81</td> <td>83</td> <td>85</td> <td>87</td> <td></td> <td></td> </tr> </tbody> </table> <p>5 HH9BHCB : Appuyez sur le bouton et maintenez-le enfoncé pendant 5 secondes, l'échelle passe de °C à °F. De même de °F à °C.</p>	NO	0	1	2	3	4	5	6	7	8	9	10	N	°C	20	21	22	23	24	25	26	27	28	29	30	C	°F	68	70	72	74	76	78	80	82	84	86	88	F		69	71	73	75	77	79	81	83	85	87		
NO	0	1	2	3	4	5	6	7	8	9	10	N																																									
°C	20	21	22	23	24	25	26	27	28	29	30	C																																									
°F	68	70	72	74	76	78	80	82	84	86	88	F																																									
	69	71	73	75	77	79	81	83	85	87																																											
 <p>H9AF</p>	<p>Bouton de programmation : Réglage du programmateur pour éteindre le foyer à un certain moment.</p> <p>Plage de réglage de 0,5 à 8 heures.</p> <p>1. Appuyez une fois : Le voyant s'allumera. Programmateur réglé sur 0,5 heure.</p> <p>2. Appuyez à nouveau jusqu'à ce que le réglage désiré soit atteint. Le voyant indique le réglage.</p>																																																				
 <p>GD998</p>	<p>Vitesse de l'effet : Vitesse de changer l'effet de flamme. Il y a 3 niveaux de vitesse : 01 (lent), 02 (moyen), 03 (rapide).</p> <p>1. Appuyez une fois. Le voyant s'allumera. Il y a un changement de vitesse</p> <p>2. Appuyez à nouveau jusqu'à ce que le réglage désiré soit atteint. La valeur par défaut est 03.</p>																																																				
 <p>: @A9 7C@CF</p>	<p>Bouton de FLAMME : permet de régler la luminosité de la flamme.</p> <p>ATTENTION : L'effet de flamme reste activé jusqu'à ce que le bouton d'alimentation soit appuyé. L'effet de flamme doit être activé pour que le dispositif de chauffage démarre.</p> <p>1. Appuyez une fois : Changement de la luminosité de l'effet de flamme.</p> <p>2. Appuyez à nouveau jusqu'à ce que le réglage désiré soit atteint. 6 couleurs disponibles.</p>																																																				
 <p>: @A9 6F < HB9GG</p>	<p>Bouton de FLAMME : permet de régler la luminosité de la flamme.</p> <p>ATTENTION : L'effet de flamme reste activé jusqu'à ce que le bouton d'alimentation soit appuyé. L'effet de flamme doit être activé pour que le dispositif de chauffage démarre.</p> <p>1. Appuyez une fois : Changement de la luminosité de l'effet de flamme.</p> <p>2. Appuyez à nouveau jusqu'à ce que le réglage désiré soit atteint.</p>																																																				
 <p>9A69F @ < HG</p>	<p>Bouton de rétro-éclairage des bûches: Fait changer la couleur au bas de l'effet.</p> <p>ATTENTION : L'effet de couleur reste activé jusqu'à ce que le bouton d'alimentation soit appuyé.</p> <p>ATTENTION : Ce foyer a une fonction de sauvegarde des réglages de rétro-éclairage.</p> <p>1. Appuyez une fois. Changement de couleur du rétro-éclairage.</p> <p>2. Appuyez à nouveau jusqu'à ce que le réglage désiré soit atteint. 10 couleurs disponibles.</p> <p>3. Cycle automatique : Lorsque vous appuyez 11 fois sur cette touche, les couleurs du rétroéclairage changent automatiquement (REMARQUE : Le changement de couleur prend 15 secondes.)</p>																																																				

 <p>EMBER BRIGHTNESS</p>	<p>Luminosité du rétroéclairage: Changement de luminosité du rétro-éclairage.</p> <p>ATTENTION : La luminosité du rétroéclairage reste active jusqu'à ce que le bouton d'alimentation soit appuyé.</p>	<ol style="list-style-type: none"> 1. Appuyez une fois. Changement de luminosité du rétro-éclairage. 2. Appuyez à nouveau jusqu'à ce que le réglage désiré soit atteint. 5 niveaux disponibles. <p>De L1 - L2 - L3 - L4 - L5-L0 (OFF)</p>
--	--	--

ATTENTION La première fois que le dispositif de chauffage est mis en marche, une légère odeur peut apparaître. Ceci est normal et ne devrait pas être répété à moins que le dispositif de chauffage ne soit pas utilisé pendant une longue période.

ATTENTION Pour améliorer le fonctionnement, **pointez** la télécommande vers l'avant du foyer. **N'appuyez PAS trop vite sur les boutons.** Attendez un moment jusqu'à ce que l'appareil réponde aux commandes.


Limiteur de température

Le dispositif de chauffage est équipé d'un limiteur de température. Si une température dangereusement élevée est atteinte, le dispositif de chauffage s'éteint. Afin de remettre le fonctionnement :

1. Débranchez le câble d'alimentation de la prise murale.
2. Mettez l'interrupteur ON/OFF du PANNEAU DE COMMANDE sur OFF. **Attendez 5 minutes**
3. Vérifiez que les grilles de ventilation du foyer ne sont pas couvertes ou obstruées par la poussière. En cas de colmatage, utilisez un aspirateur pour les nettoyer.
4. L'interrupteur étant réglé sur OFF, rebranchez le câble d'alimentation à la prise murale.
5. Si le problème persiste, faites vérifier la prise et le câblage par un spécialiste.


Informations sur les piles de la télécommande


- La télécommande utilise une pile CR2025 (fournie)

 **Ne jetez pas les piles au feu.** Le non-respect de cette consigne **peut entraîner une explosion.** Les piles usagées doivent être jetées dans des conteneurs spécialement identifiés ou transférées au point de collecte sélective des déchets communautaires.

Nettoyage et entretien

Nettoyage

 **Éteignez TOUJOURS** le dispositif de chauffage et **débranchez le câble d'alimentation de la prise murale** avant de nettoyer, entretenir ou déplacer le foyer. Le non-respect de cette exigence peut entraîner un **incendie, un choc électrique pu des blessures graves.**

 **N'immergez JAMAIS** l'appareil dans l'eau ou ne le pulvérisez pas avec de l'eau. Vous risqueriez de provoquer un **choc électrique, un incendie ou des blessures corporelles.**

Pièces métalliques :

- Polir avec un chiffon sec légèrement humidifié avec un nettoyant à base d'huile d'agrumes.
- **N'UTILISEZ PAS** de produits à polir le laiton ou de nettoyants ménagers car ces produits peuvent endommager le fini métallique.

Pièces en verre :

- Utilisez un nettoyant pour vitres de haute qualité, vaporisé sur un chiffon ou une serviette. Essuyez soigneusement avec un essuie-tout ou un chiffon non pelucheux.
- **N'utilisez JAMAIS** de nettoyants abrasifs, d'aérosols ou d'autres produits qui peuvent gratter la surface.

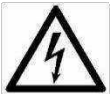
Grilles de ventilation :

- Enlevez la poussière et la saleté des surfaces du dispositif de chauffage et de la grille à l'aide d'un aspirateur ou d'un chiffon.

Pièces en plastiques :

- Essuyez doucement avec un chiffon légèrement humidifié avec une solution douce de liquide vaisselle et d'eau tiède.
- **N'utilisez JAMAIS** de nettoyants abrasifs, d'aérosols ou d'autres produits qui peuvent gratter la surface.

Entretien



Risque de chocs électriques ! N'OUVREZ AUCUN panneau ! L'appareil ne contient aucune pièce à réparer par l'utilisateur !



Éteignez TOUJOURS le dispositif de chauffage et **débranchez le câble d'alimentation de la prise murale** avant de nettoyer, entretenir ou déplacer le foyer. Le non-respect de cette exigence peut entraîner un **incendie, un choc électrique ou des blessures graves.**

Pièces électriques et mobiles :

- Les moteurs des ventilateurs sont lubrifiés en usine et ne nécessitent pas de lubrification ultérieure.
- Les composants électriques sont intégrés dans l'appareil et ne peuvent pas être réparés par l'utilisateur.

Stockage :

Lorsque l'appareil n'est pas utilisé, stockez-le dans un endroit propre et sec.



AVERTISSEMENT ! Les composants électriques internes **ne sont PAS destinés** à être réparés par l'utilisateur.



WEEE:

Élimination et recyclage :

Ne jetez pas cet appareil avec les déchets municipaux ordinaires non triés. Utilisez des points de collecte spéciaux. Contactez les autorités locales pour obtenir des renseignements sur les systèmes de collecte disponibles. Lors de l'élimination d'équipements électriques à des décharges, des substances dangereuses peuvent pénétrer dans les eaux souterraines et dans la chaîne alimentaire, ce qui peut avoir un effet négatif sur la santé et le bien-être.

Si vous remplacez des appareils usagés par des appareils neufs, le vendeur est tenu par la loi de les reprendre pour les éliminer sans frais supplémentaires.

Instructions de liaison d'application

1. Téléchargez l'application

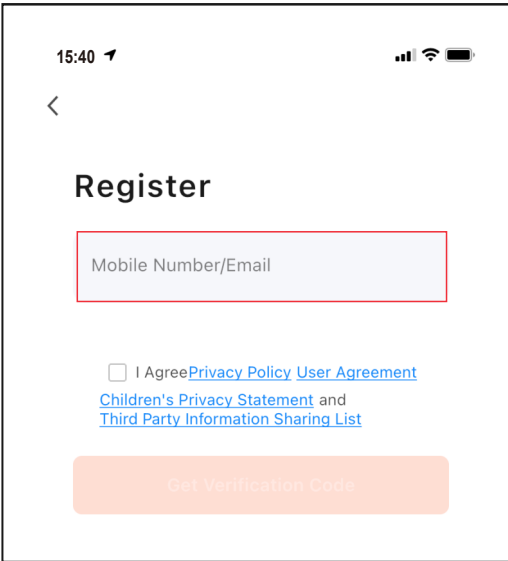
- Téléchargez "Tuya Smart" depuis l'App Store.
- Scannez le code QR.
- Activez "GPS" sur votre appareil mobile.



Remarque : Assurez-vous que votre téléphone portable est connecté au signal Wi-Fi le plus proche.

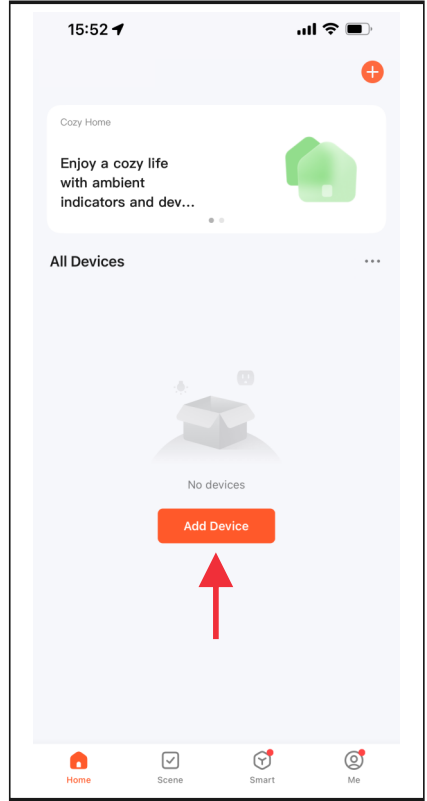
2. Connexion

- Inscrivez-vous avec votre e-mail ou votre numéro de téléphone portable comme nom d'utilisateur.
- Définissez le mot de passe de votre compte.



3. Ajouter un appareil

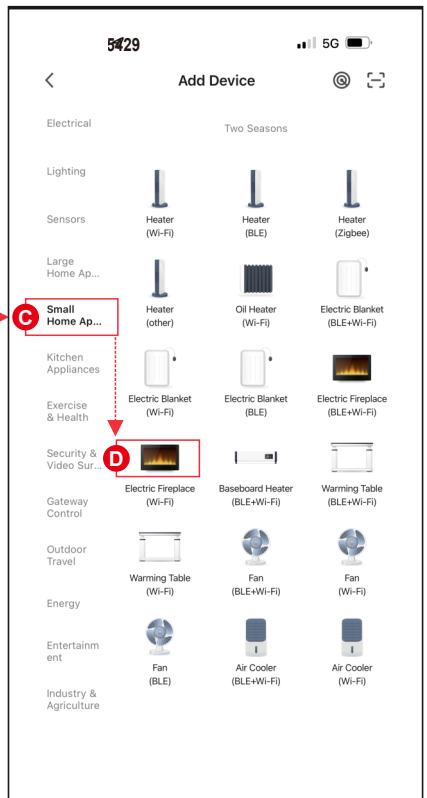
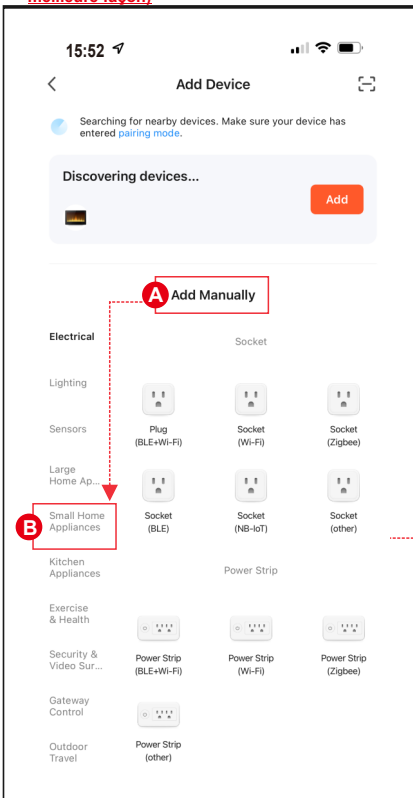
Après avoir créé un compte, connectez-vous et sélectionnez le bouton "Ajouter un appareil".




3. Ajouter un appareil - suite

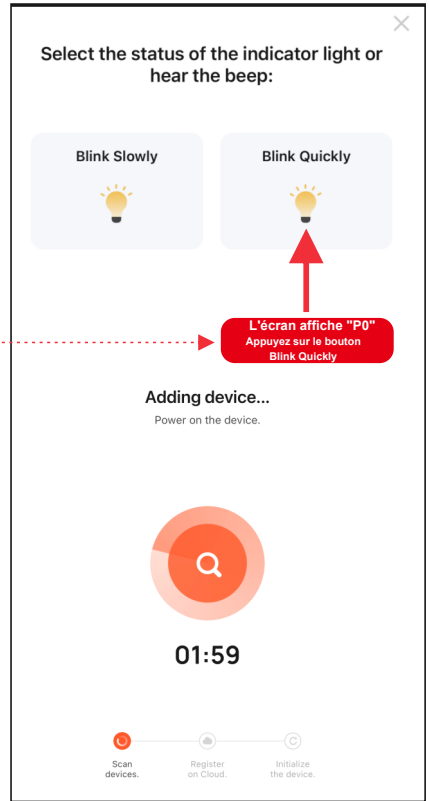
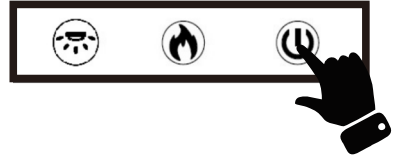
Il existe trois méthodes pour ajouter un foyer électrique.

- Méthode 1 : ajouter manuellement en mode "P0". Suivez les étapes A, B, C, D ci-dessous.
- Méthode 2 : Ajouter manuellement en mode "P1". Suivez les étapes A, B, C, D ci-dessous.
- Méthode 3 : Ajouter via Bluetooth. Activez le Bluetooth sur votre téléphone portable avant d'ajouter. (La meilleure façon)




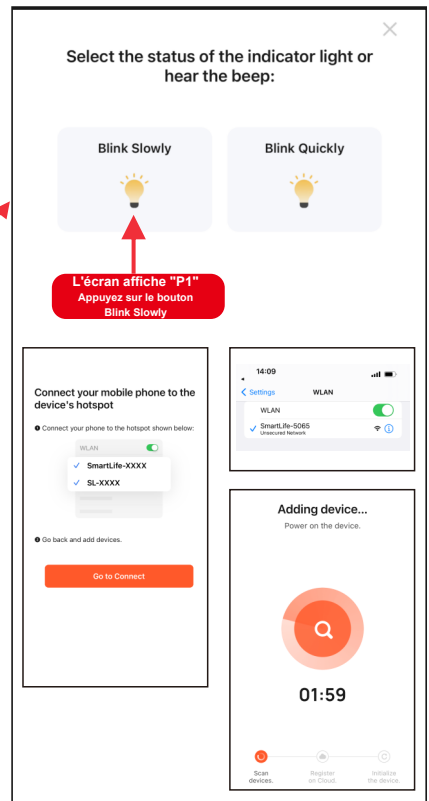
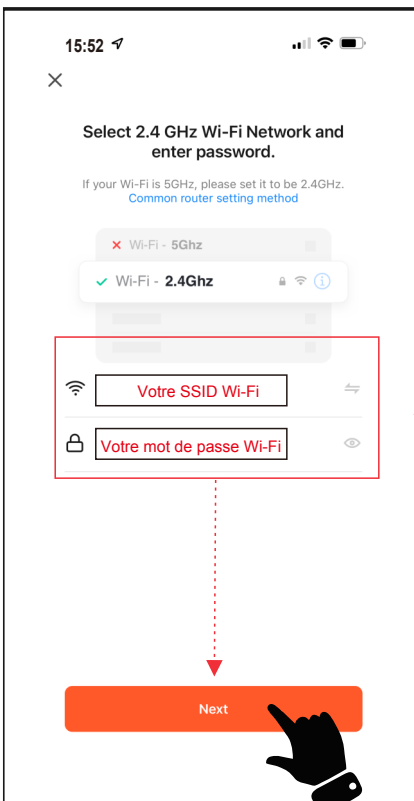
4. Méthode de connexion 1 - (P0)

- Appuyez et maintenez  sur la télécommande et vous entendrez un "bip" du foyer.
- Entrez le nom et le mot de passe WIFI, puis appuyez sur "Next" pour coupler.
- Appuyez sur la touche **Blink Quickly**, l'appareil est ajouté.




4. Méthode de connexion 2 - (P1)

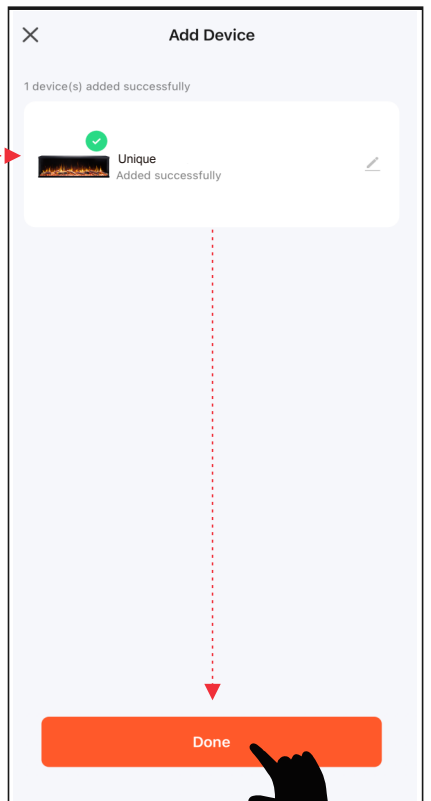
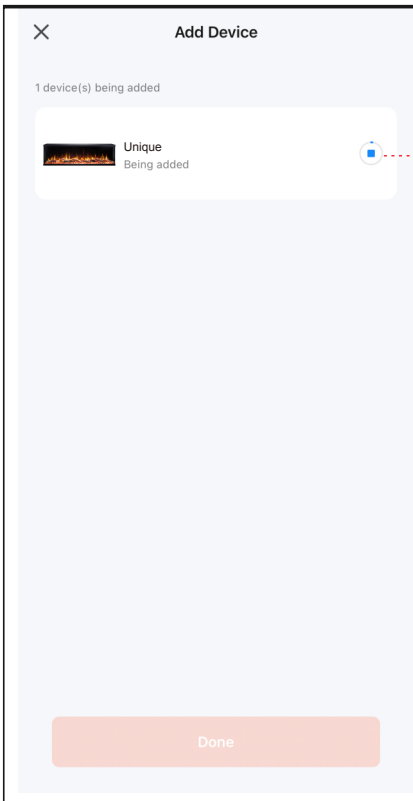
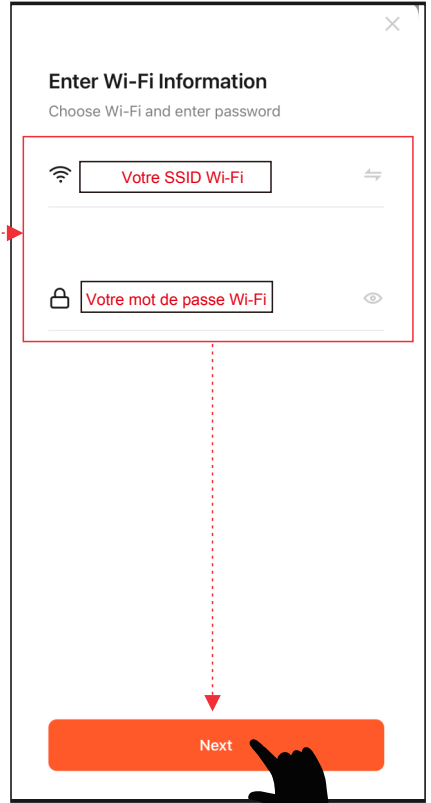
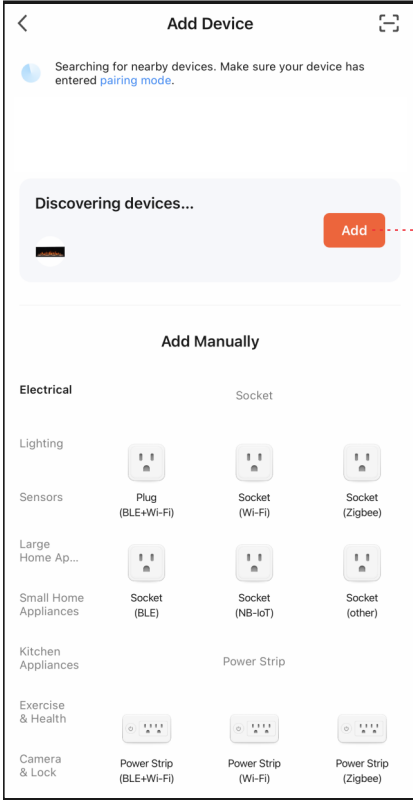
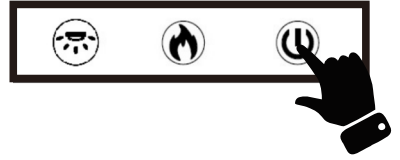
- Appuyez et maintenez  sur la télécommande et vous entendrez un "bip" du foyer.
- Entrez le nom et le mot de passe WIFI, puis appuyez sur "Next" pour coupler.
- Appuyez sur le bouton **Blink Slowly**. Ensuite, connectez votre téléphone portable au point d'accès de l'appareil.
- Sélectionnez le point d'accès de votre appareil (**SmartLife-xxxx**), puis revenez à votre appareil. L'appareil est en cours d'ajout.



4. Méthode de connexion 3 - (Bluetooth)

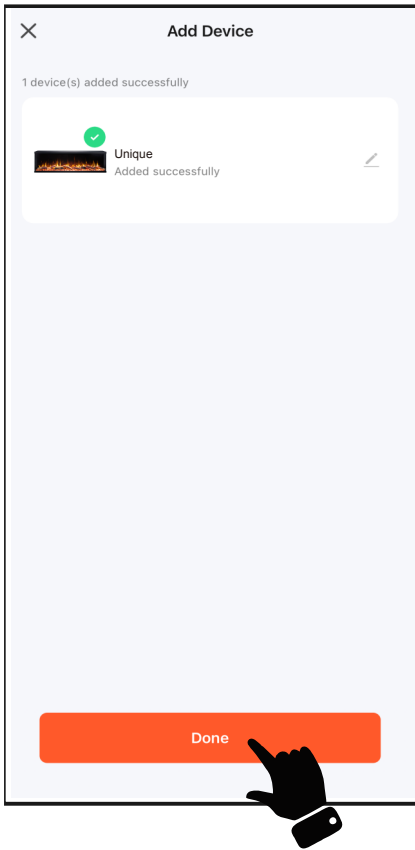


- Appuyez et maintenez  sur la télécommande et vous entendrez un "bip" du foyer.
- Appuyez sur **Add** lorsque vous voyez un appareil nommé "Unique".
- Entrez le nom et le mot de passe WIFI, puis appuyez sur "Next" pour coupler.

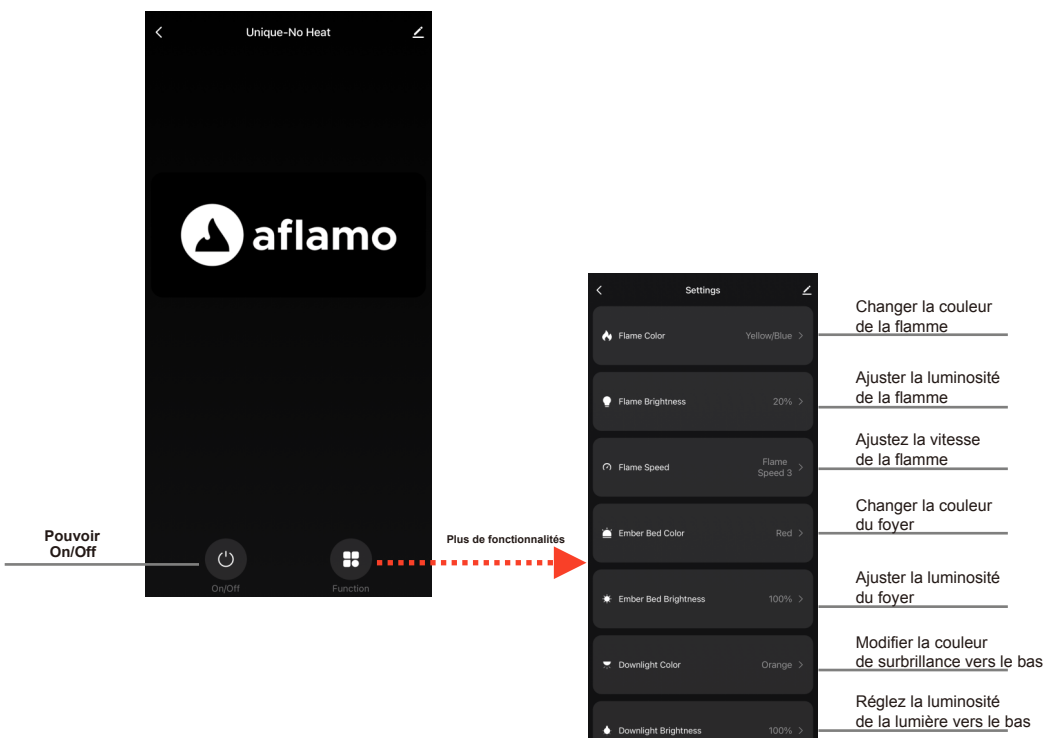


5. Terminé

- Appuyez sur **Done** pour terminer.

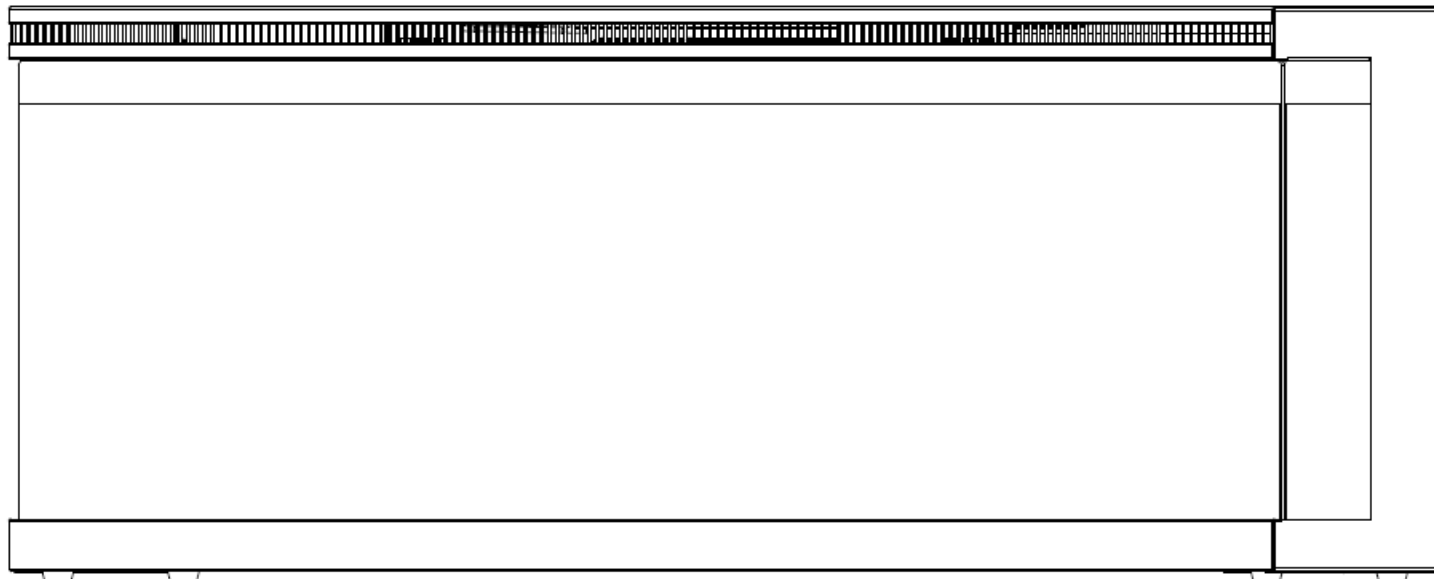


Manuel d'application



AFLAMO UNIQUE

UŽIVATELSKÝ NÁVOD



UNIQUE 107/127/153/166/183/254

Nástěnný elektrický krb / pro zástavbu

AC 220V-240V 50Hz 1400-1600W

⚠ UPOZORNĚNÍ

Před zapojením nebo použitím zařízení, přečtěte s pochopením celý uživatelský návod se zohledněním všech informací týkajících se bezpečnosti. Nedodržení tohoto požadavku může mít za následek vznik ohně, zasažení elektrickým proudem nebo vážná poranění těla.

⚠ POZOR

Uchovejte tento uživatelský návod za účelem jeho použití v budoucnu. V případě prodeje nebo odevzdání zařízení, je třeba nezbytně přiložit k němu návod.



DŮLEŽITÉ BEZPEČNOSTNÍ POKYNY:

UPOZORNĚNÍ:

Během používání elektrických zařízení je třeba vždy dodržovat základní bezpečnostní prostředky za účelem snížení rizika požáru, zásahu elektrickým proudem a zranění osob, se zohledněním níže uvedených pokynů:

- Přečtěte všechny návody před použitím tohoto zařízení.
- Zařízení se během práce zahřívá. Za účelem vyhnutí se popálení, nedotýkejte horké plochy. Jsou-li dostupné – používejte držáky za účelem přenášení zařízení. Hořlavé materiály takové jakými jsou nábytek, podušky, ložní prádlo, dokumenty, šaty a záclony přechovávejte ve vzdálenosti nejméně 1 m od přední strany zařízení. Všechny tyto předměty držte daleka od boků a zadní části zařízení. Za účelem vyhnutí se přehřátí, zařízení ničím nezakrývejte.
- Zvláštní pozornost je třeba věnovat, když topné zařízení je používáno v blízkosti dětí nebo postižených osob a kdy je ponecháno zapnuto bez dozoru.
- Nepoužívané zařízení je třeba vypojit z napájení.
- Nespouštějte zařízení s poškozeným napájecím kabelem nebo zástrčkou, nebo v případě poruchy zařízení pádu z výšky. Zařízení je třeba odevzdat do autorizovaného servisu za účelem prozkoumání, elektrického nebo mechanického nastavení nebo opravy.
- Zařízení je určeno výlučně k použití vevnitř budovy.
- Zařízení nepoužívejte v koupelnách, prádelnách a podobných místnostech. Zařízení nikdy neumísťujte v místech, kde může spadnout do vany nebo jiné nádrže s vodou.
- Napájecí kabel nevedte pod krytinou. Kabel nezakrývejte koberci, běhouny a jinými krytinami. Kabel vedte daleka od často navštěvovaných míst a takovým způsobem, aby se nikdo o něj neklopýtnul.
- Za účelem vypojení zařízení, vypněte všechny kontrolky do polohy „OFF” a následně vytáhněte zástrčku ze zásuvky.
- Nevkládejte ani nedovolte, aby se jakékoliv předměty dostaly do ventilačních otvorů a přívodu vzduchu, protože to může způsobit zasažení proudem, požár nebo poškození zařízení.
- Za účelem vyhnutí se riziku požáru, neblokujte přívody a vývody vzduchu jakýmkoliv způsobem. Zařízení nepoužívejte na měkkých plochách takových jakou je postel, kde otvory mohou být zablokovány.
- Krb má vevnitř ohřívací díly a díly, které mohou vytvářet jiskry a elektrické oblouky. Nepoužívejte v místech přechovávání benzínu, barev nebo jiných lehce hořlavých kapalin.
- Krb používejte způsobem znázorněným v tomto návodu. Všechna jiná použití nedoporučované výrobcem mohou způsobit požár, zasažení elektrickým proudem nebo poranění osob.
- NEBEZPEČÍ – VYSOKÉ teploty mohou být generovány v nevhodných pracovních podmínkách. Topné zařízení nezakrývejte úplně nebo částečně zepředu.
- Svítidla lze vyměňovat výlučně po vypojení krbu z napájení.
- Toto zařízení není určeno k používání osobami (včetně dětí) se sníženými fyzickými, duševními nebo vněmovými schopnostmi nebo osobami, které nemají příslušné vědomosti nebo zkušenosti, ledaže se nachází pod dozorem osoby odpovědné za jejich bezpečnost nebo byly ní poučeny v rozsahu používání zařízení. Je třeba dbát na to, aby děti se nehráli se zařízením.
- POZOR: Za účelem vyhnutí se rizika způsobeného neúmyslným resetováním termických přepětových vypínačů, krb nesmíte zapojovat do vnějšího přepínacího zařízení, jakými jsou programátor nebo obvod s cyklickou soustavou zapínání a vypínání.

Příprava



Tento výrobek je vybaven **skleněným panelem!** Vždy během přenášení **skla** je třeba zachovat **zvláštní opatrnost**. Nedodržení tohoto pokynu může mít za následek zranění těla nebo poškození majetku.

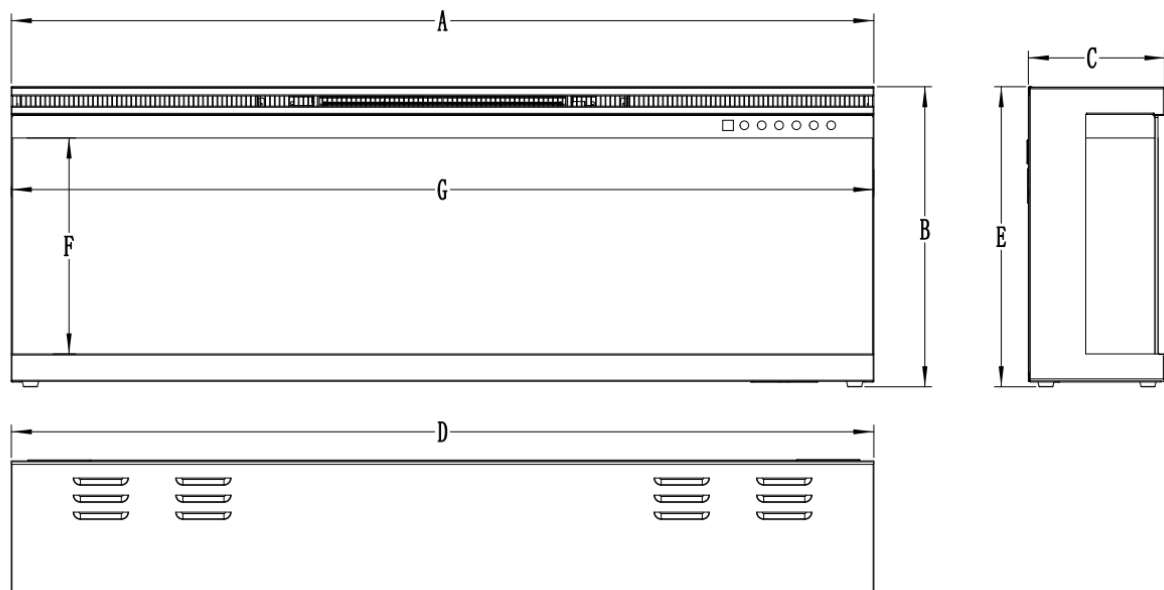
Vyberte všechny soustrojí a montážní dílce z kartonu a položte je na čistém, měkkém a suchém podkladu. Zkontrolujte seznam dílců za účelem ujištění, že nic nechybí. Balící materiály je třeba zlikvidovat vhodným způsobem. Vždy, když je to možné, je třeba odevzdávat odpady na opětovné zpracování.

Potřebné bude následující nářadí (nepředstavují vybavení): křížový šroubovák; vodováha; měřítko; vrtačka; kladivo.

Soustrojí a montážní dílce

<p>A – Krb</p>	<p>B-Zápusťné šrouby do dřeva</p>	<p>C- Kotvy</p>		
	<p>D-Ovladač dálkového ovládání</p>	<p>E-Vklad</p>		
<p>F - Polena</p>	<p>G-Krystaly - velkk</p>	<p>H-Krystaly - malé</p>	<p>I-Nástěnný držák Montován v zadní části krytu</p>	<p>J- Držák ve tvaru písmene „L“</p>

Specifikace a rozměry



ROZMĚRY VÝROBKU (mm)

Číslo modelu	A	B	C	D	E	F	G
UNIQUE 107	1067	440	200	1067	440	316	1065
UNIQUE 127	1262	440	200	1262	440	316	1260
UNIQUE 153	1524	440	200	1524	440	316	1522
UNIQUE 166	1650	440	200	1650	440	316	1648
UNIQUE 183	1828	440	200	1828	440	316	1826
UNIQUE 254	2540	440	200	2540	440	316	2538

Montáž a instalování

Zařízení je určeno k montáži na stěně, vestavěné ve stěně, a/nebo v krytu. Zvolte vhodné místo, které nepodléhá vlhku a nachází se zdaleka od záclon, nábytku a míst s velkou intenzitou pohybu. **POZOR: Je třeba dodržovat všechny tuzemské a místní elektrické předpisy. K elektrickému krbu je dodáván napájecí kabel. Pokyny pro připojení trvalého připojení naleznete v kapitole popisující montáž trvalého připojení.**

MINIMÁLNÍ Odstup od snadno hořlavých materiálů

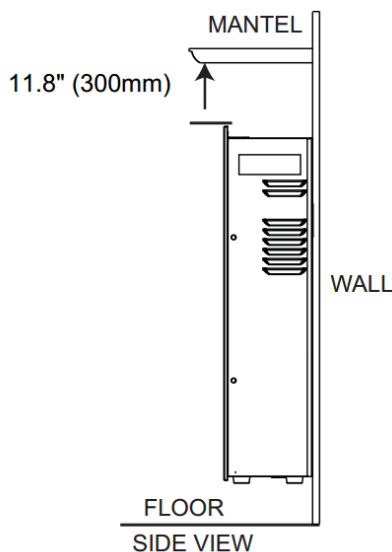
Měření jsou prováděny od skleněné přední strany.

Spodní část	0mm	Horní část	300mm od krytu
Boky	0mm	Horní část	300mm od stropu
Zadní část	0mm		

MINIMÁLNÍ Odstup od krytu

POZOR

S POUŽITÍM BARVY NEBO UKONČOVACÍHO LAKU KRYTU, BARVA NEBO LAK MUSÍ BÝT TEPELNĚ ODOLNÉ ZA ÚČELEM PŘEDCHÁZENÍ ODBARVENÍM.



Montáž trvalého připojení ve výklenku

POZOR

PŘED ZAHÁJENÍM PRACÍ JE NUTNÉ ZAŘÍZENÍ VYPNOUT A POČKAT AŽ ÚPLNĚ VYSTYDNE. SERVISNÍ A OPRAVÁRENSKÉ PRÁCE MOHOU PROVÁDĚT POUZE KVALIFIKOVANÉ OSOBY.

TRVALÉ PŘIPOJENÍ

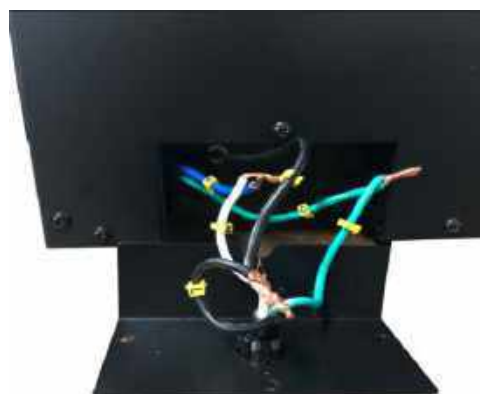
V případě trvalého připojení musí kvalifikovaný elektrikář odpojit kabelové připojení a připojit zařízení přímo k domácí instalaci. **POZOR: Nutný jistič 15 A (nebo vyšší).**

Při trvalém připojení musí být zařízení připojeno a uzemněno v souladu s místními předpisy. V případě, že neexistují místních předpisy, měl by být dodržen Národní elektrotechnický kodex (NATIONAL ELECTRICAL CODE).

Fig.A



Fig.B



V PRVNÍ ŘADĚ ODPOJTE NAPÁJENÍ OD VYPÍNAČE

A. Odšroubujte tři šrouby, abyste odstranili kryt z pravé strany na spodní straně zařízení, jak je znázorněno výše (viz obr. A).

B. Odstraňte konektor z napájecího kabelu. Napájecí kabel již nebude potřebný (viz obr. B).

C. Provedte otvor 7/8" (22,2 mm) v novém krytu, který je součástí balení. Připojte konektor přes otvor ve víku. Protáhněte vodiče konektorem.

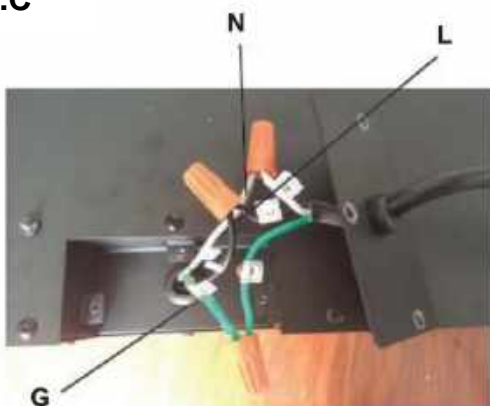
D. Pomocí konektorů připojte zelené zemní vodiče (G), standardní bílé vodiče (N) a následně černé termoelektrické vodiče (L) (viz obr. C).

E. Přišroubujte kryt na místo pomocí tří šroubů, jak je znázorněno na obr. 4-1.



Konektor

Fig.C



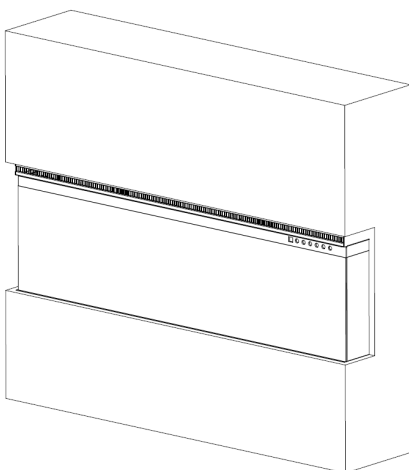
7/8" (22.2mm)
Diameter



Kryt

Montáž

Zařízení umožňuje montáž v jedné ze tří konfigurací: **jednostranné, dvoustranné a třístranné.**

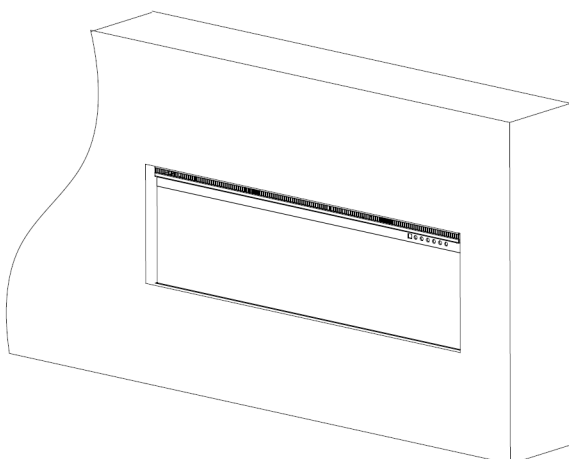
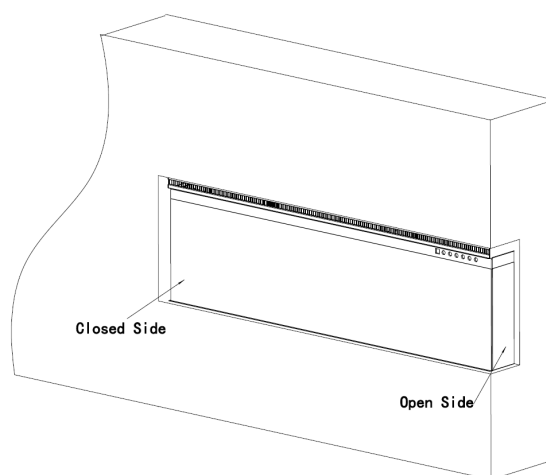


Třístranná montáž

- Sklo je vidět vpředu, vlevo a vpravo.
- Zařízení je celé zabudováno ve výklenku ve stěně tak, aby byly obě strany viditelné.

Dvoustranná montáž

- Sklo je vidět vpředu a vlevo nebo vpravo.
- Zařízení je celé zabudováno ve výklenku ve stěně tak, aby byla jedna strana viditelná.

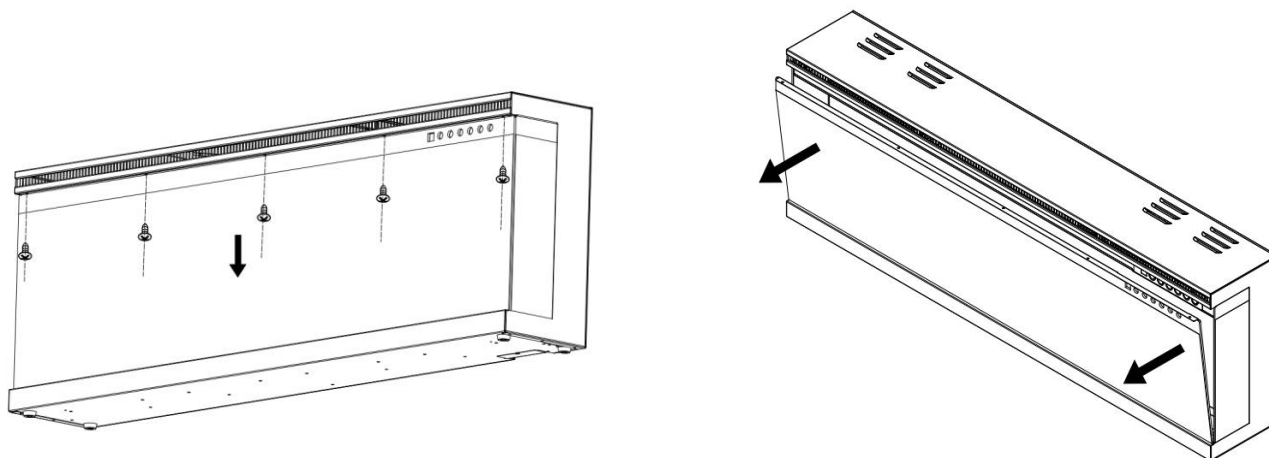


Jednostranná montáž

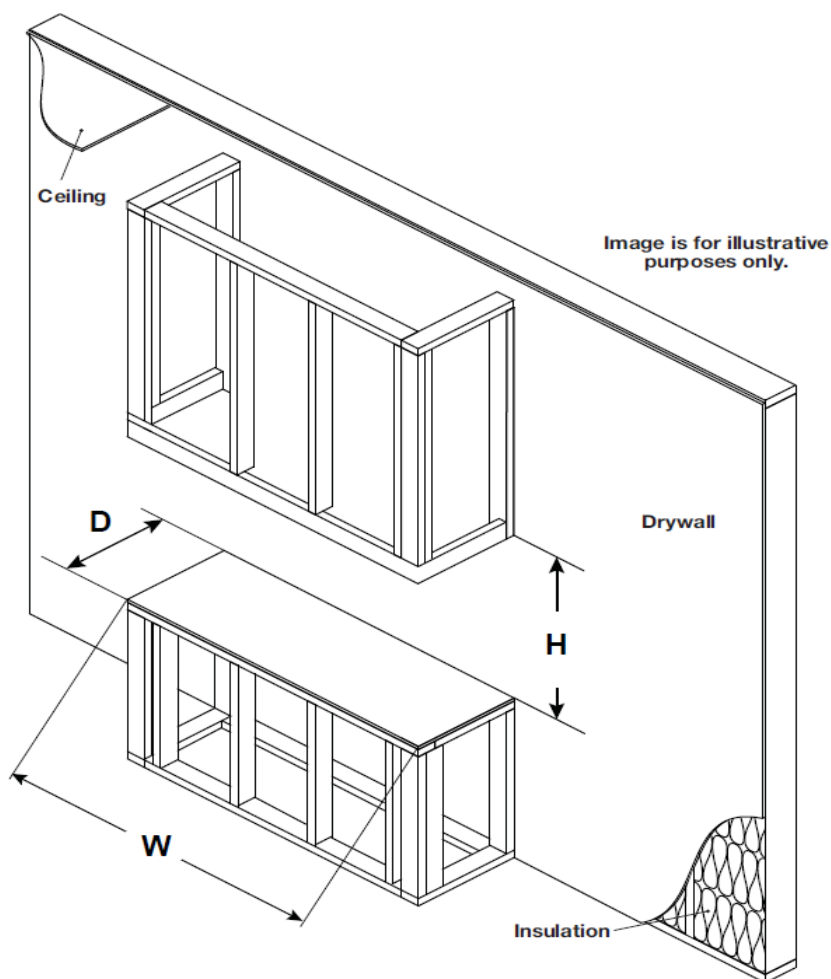
- Sklo je vidět POUZE zepředu.
- Zařízení je celé zabudováno do stěny.

Montáž/odstranění skla vpředu

- Odstraňte všechny šrouby z horní části skleněného panelu.
- Nakloňte přední panel dopředu. K odstranění skleněného panelu jsou potřebné dvě osoby.
- Chcete-li zamontovat přední panel, proveďte výše uvedené kroky v opačném pořadí.



Montáž / rám



Upozornění: Krb instalujte tak, aby jej bylo možné v případě poruchy sejmout ze stěny pro servisní účely.

Číslo modelu	W	D	H
UNIQUE 107	1067 (mm)	210 (mm)	443 (mm)
UNIQUE 127	1262 (mm)	210 (mm)	443 (mm)
UNIQUE 153	1524 (mm)	210 (mm)	443 (mm)
UNIQUE 166	1650 (mm)	210 (mm)	443 (mm)
UNIQUE 183	1828 (mm)	210 (mm)	443 (mm)
UNIQUE 254	2540 (mm)	210 (mm)	443 (mm)

Upozornění:

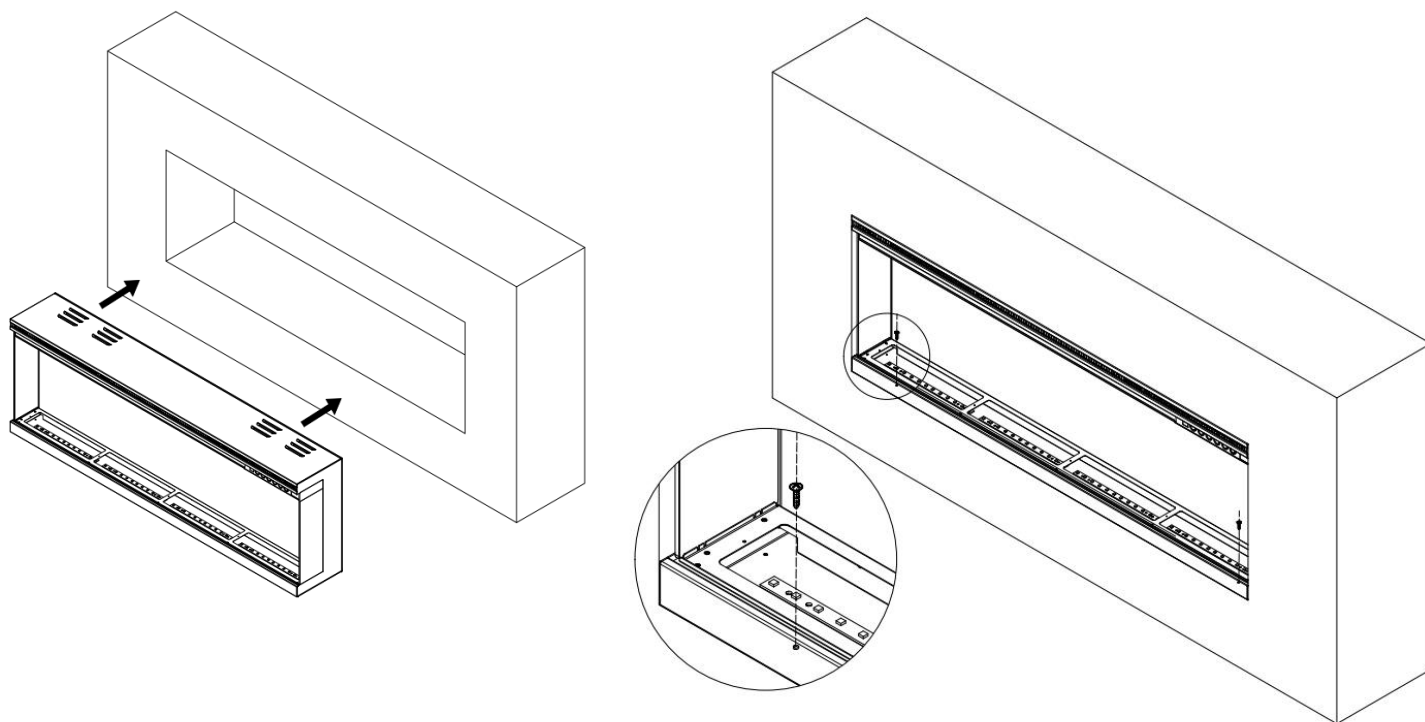
Zařízení NENÍ navrženo tak, aby vydrželo velké zatížení. Při montáži rámu byste měli pečlivě zvážit výběr použitých materiálů.

Ujistěte se, že montáž splňuje stavební předpisy a požadavky.

Všechny varianty montáže mají stejné požadavky na rám.

Upozornění:

Pokud je zařízení zcela zabudováno do stěny, zajistěte krb krátkými šrouby (B) pod vkladem. viz. ilustrace níže



NÁSTĚNNÁ MONTÁŽ

Z důvodu mnoha různých materiálů používaných na různých zdech, doporučuje se konzultace s profesionálem před nainstalováním tohoto zařízení na stěně.

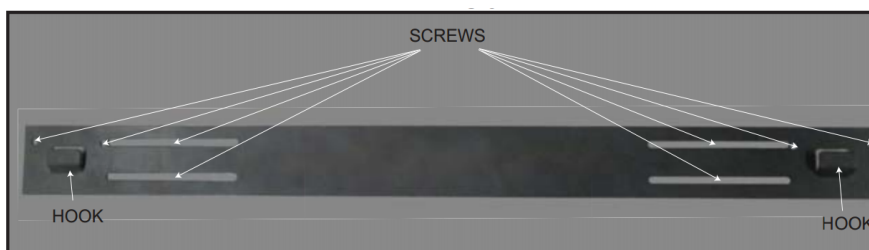
A. Zvolte místo, které nepodléhá vlhku a nachází se nejméně 100 cm od snadno hořlavých materiálů, takových jakými jsou záclony, nábytek, postel, papír atd.

B. Pro určení konečné lokalizace jsou zapotřebí dvě osoby pro držení.

C. Kryt umístěte přední částí dolů na měkký, nedrsný povrch. Vyberte vzpěru ze zadní části zařízení vyšroubováním šroubů, viz Obrázek 1.

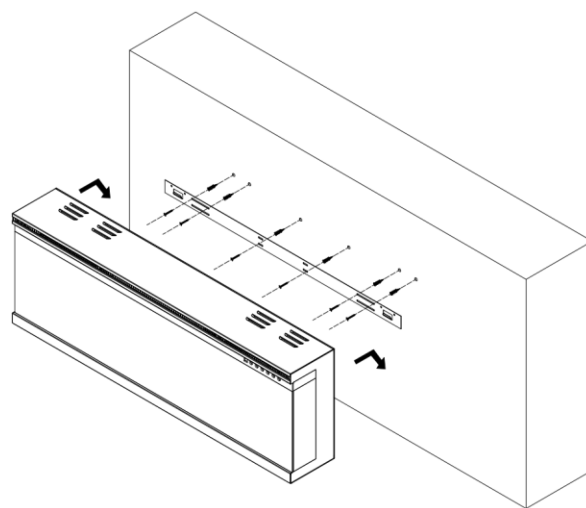
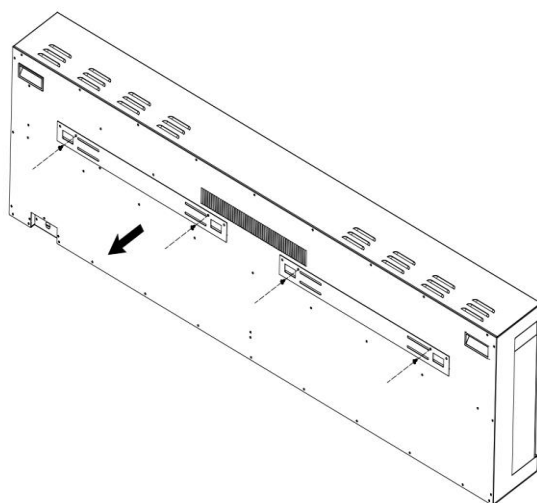
D. Označte polohu a následně připevněte vzpěry do stěny prostřednictvím dodaných šroubů. Úchytky vzpěry MUSÍ být nasměrovány nahoru a samotnou vzpěru je třeba nivelovat.

POZOR: Rozhodně se doporučuje, aby montážní vzpěra (E) byla přišroubovaná ke nástěnným kolíkům tam, kde to lze. Není-li možné použít nástěnné zápusťné šrouby, ujistěte se, že dodané plastové kotvy jsou použity k připevnění vzpěry ke stěně, a vzpěra je vhodně zajištěna.



E. Po nainstalování nástěnné montážní vzpěry, s pomocí druhé osoby zvedněte zařízení a nasadte dvě úchytky vzpěry v otvorech na zadní stěně zařízení.

F. Zkontrolujte stabilitu zařízení, ujistěte se, že vzpěra se nevysune ze stěny.



Ilustrace představující nástěnnou vzpěru pro modely UNIQUE 183

Montáž držáku ve tvaru písmene L”

A. Sundejte stříbrný šroub ve spodní části zařízení. (**Fig. 1-1**). Odložte šroub stranou.

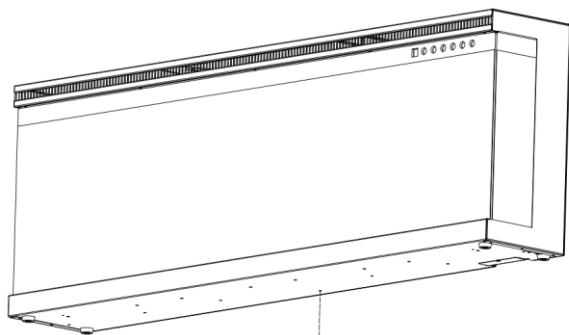


Fig 1-1

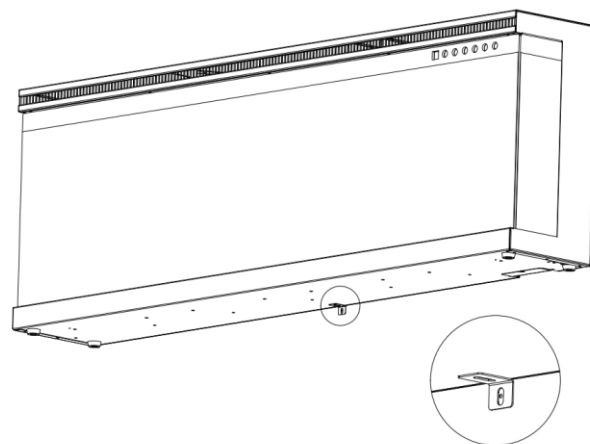


Fig 1-2

B. Pomocí tohoto šroubu namontujte držák ve tvaru písmene "L" (J) v spodní části krbu. (**Obr. 1-2**)

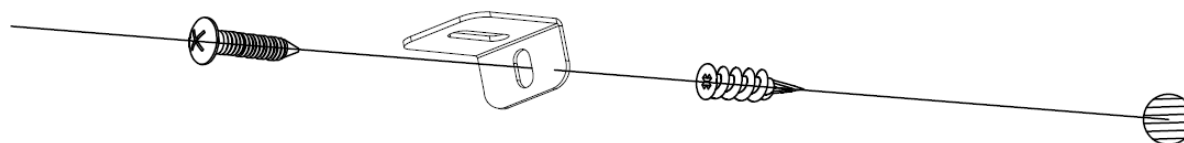


Fig 1-3

C. Namontujte plastovou kotvu (**C**) do suché stěny a poté namontujte delší šroub (**B**) (součástí dodávky) přes otvor v držáku ve tvaru písmene "L" v kotvě, abyste upevnili krb ke stěně. (**Obr. 1-3**)

Montáž polen / krystalů

(**UPOZORNĚNÍ:** Namontujte vklad podle vašich představ.)

A. Před montáží prvků vkladu je nutné odstranit skleněný panel a kotvy a zamontovat zařízení na jeho konečném místě.

B. Položte vklad (**E**) na místo, matným povrchem nahoru. Opatrně umístěte krystaly (**H**) dole, v části přední části zařízení, jak je znázorněno na obrázku. Krystaly by měly být rozloženy rovnoměrně. **Obr. 2-1, Obr. 2-2**

C. Umístěte větší krystaly (**G**) na menší krystaly podle svého uvážení. **Obr. 2-3**



Figure 2-1.



Figure 2-2.

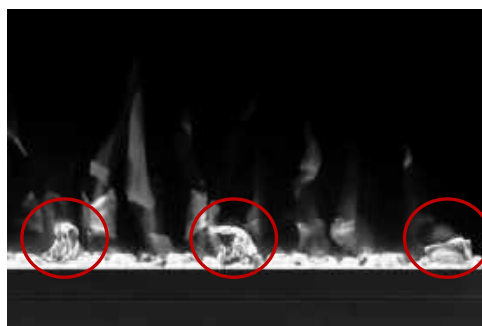


Figure 2-3.

Montáž volitelného prvku - polena

Opatrně umístěte sadu polen (**F**) na určené místo v krbu. **Obr. 3**



Polena (Figure 3.)

Obsluha



Před zapojením nebo použitím zařízení, přečtěte s pochopením celý uživatelský návod se zohledněním všech informací týkajících se bezpečnosti. Nedodržení tohoto požadavku může mít za následek vznik ohně, zasažení elektrickým proudem nebo vážná poranění těla nebo smrt.

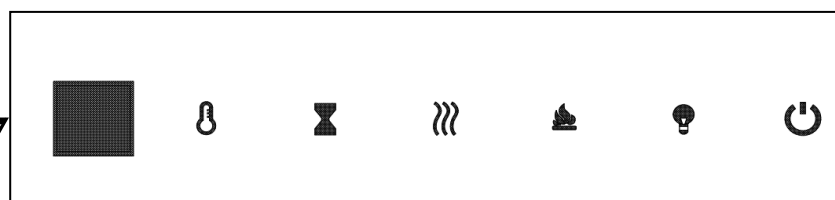
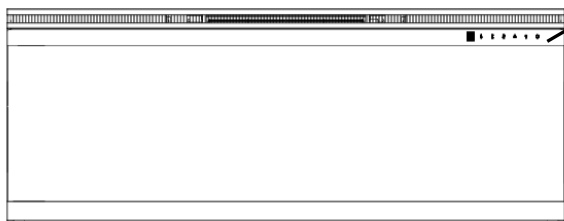
Zapojení do napájení

Zapojte napájecí kabel do zásuvky AC 220-240 V (viz **DŮLEŽITÉ BEZPEČNOSTNÍ NÁVODY** na stranách 2 a 3). Ujistěte se, že zásuvka je v dobrém technickém stavu a zástrčka není volná. NIKDY nepřekračujte povolenou intenzitu proudu pro obvod. **NEzapojte** jiná zařízení do stejného obvodu.

Způsoby obsluhy



Tento krb lze obsluhovat prostřednictvím DOTEKOVÉHO PANELU nacházejícího se na přední straně krbu nebo s použitím OVLADAČE DÁLKOVÉHO OVLÁDÁNÍ, napájeného bateriemi.




Před přistoupením k obsluze se seznamte s **PLATNÝMI BEZPEČNOSTNÍMI NÁVODY** na stranách 2 a 3 a dodržujte je.



Ovládací panel


Obsluha ovládacího panelu

TLAČÍTKO	FUNKCE	FUNGOVÁNÍ A SIGNALIZACE																																																				
 POWER	ZAP.: Aktivuje funkci ovládacího panelu a ovladače. Zapíná efekt plamene. VYP: Blokuje funkci ovládacího panelu a ovladače. Vypíná efekt plamene.	1. Stiskněte jednou: Kontrolka bude svítit. Zapojení napájení. Všechny funkce jsou aktivní. 2. Stiskněte opět: Efekt plamene je vypnutý. Zařízení je v režimu čekání. Všechny funkce jsou neaktivní.																																																				
 TEMP	1. Stiskněte jednou: Světlo se rozsvítí. Teplota se změní na 18 °C 2. Stiskněte znovu, dokud nedostanete požadované nastavení. Na displeji je uvedeno nastavení z tabulky:																																																					
	<table border="1"><tbody><tr><td>NO</td><td>0</td><td>1</td><td>2</td><td>3</td><td>4</td><td>5</td><td>6</td><td>7</td><td>8</td><td>9</td><td>10</td><td>N</td></tr><tr><td>°C</td><td>20</td><td>21</td><td>22</td><td>23</td><td>24</td><td>25</td><td>26</td><td>27</td><td>28</td><td>29</td><td>30</td><td>C</td></tr><tr><td>°F</td><td>68</td><td>70</td><td>72</td><td>74</td><td>76</td><td>78</td><td>80</td><td>82</td><td>84</td><td>86</td><td>88</td><td>F</td></tr><tr><td></td><td>69</td><td>71</td><td>73</td><td>75</td><td>77</td><td>79</td><td>81</td><td>83</td><td>85</td><td>87</td><td></td><td></td></tr></tbody></table>	NO	0	1	2	3	4	5	6	7	8	9	10	N	°C	20	21	22	23	24	25	26	27	28	29	30	C	°F	68	70	72	74	76	78	80	82	84	86	88	F		69	71	73	75	77	79	81	83	85	87			
NO	0	1	2	3	4	5	6	7	8	9	10	N																																										
°C	20	21	22	23	24	25	26	27	28	29	30	C																																										
°F	68	70	72	74	76	78	80	82	84	86	88	F																																										
	69	71	73	75	77	79	81	83	85	87																																												
	POZNÁMKA: Stiskněte a podržte tlačítko po dobu 5 sekund, měřítko se změní z °C na °F. Stejně od °F do °C.																																																					


 TIMER	<p>Programátorské tlačítko: Regulace nastavení programátoru za účelem vypnutí krbu o určené hodině. Rozsah nastavení od 0,5 do 8 hodin.</p>	<ol style="list-style-type: none"> 1. Stiskněte jednou: Kontrolka se zasvítí. Programátor je nastaven na 0,5 hodiny. 2. Stiskněte opět až kým nezískáte požadovaná nastavení. Kontrolka ukazuje nastavení.
 HEATER	<p>Tlačítko TOPNÉHO TĚLESA: Zapíná a vypíná topné těleso.</p> <p>POZOR: Za účelem přehřátí, ventilátor topného tělesa bude vhánět chladný vzduch po dobu 10 vteřin před zapojením topného tělesa a po jeho vypnutí.</p>	<ol style="list-style-type: none"> 1. Stiskněte jednou. Kontrolka se zasvítí. Ventilátor vhání chladný vzduch po dobu 10 vteřin. Nízká úroveň topného tělesa se zapíná a vhání teplý vzduch. 2. Stiskněte opět. Kontrolka svítí. Vysoká úroveň topného tělesa se zapíná a vhání teplý vzduch. 3. Stiskněte opět. Topné těleso se vypne. Ventilátor vhání chladný vzduch po dobu 10 vteřin, přičemž umožňuje vychlazení topného tělesa, následně se vypne.
 FLAME COLOR	<p>Tlačítko BARVY: Změna barvy pro efekt plamene.</p> <p>POZOR: Efekt barvy zůstává aktivní do okamžiku stisknutí tlačítka napájení. Efekt barvy plamene musí být zapojen za účelem spuštění topného tělesa.</p>	<ol style="list-style-type: none"> 1. Stiskněte jednou: Změna barvy plamene. 2. Stiskněte opět dokud nedosáhnete požadovaného nastavení. K dispozici je šest barev.
 FLAME BRIGHTNESS	<p>Tlačítko PLAMENU: nastavení jasu plamene.</p> <p>POZOR: Efekt plamene zůstává zapojen do okamžiku stisknutí tlačítka napájení. Efekt plamene musí být zapojen za účelem spuštění topného tělesa.</p>	<ol style="list-style-type: none"> 1. Stiskněte jednou: Změna jasu efektu plamene. 2. Stiskněte opět dokud nedosáhnete požadovaného nastavení.



Obsluha ovladače

TLAČÍTKO	FUNKCE	FUNGOVÁNÍ A SIGNALIZACE
 POWER	<p>ZAP.: Aktivuje funkci ovládacího panelu a ovladače. Zapíná efekt plamene.</p> <p>VYP: Blokuje funkci ovládacího panelu a ovladače. Vypíná efekt plamene.</p>	<ol style="list-style-type: none"> 1. Stiskněte jednou: Kontrolka bude svítit. Zapojení napájení. Všechny funkce jsou aktivní. 2. Stiskněte opět: Efekt plamene je vypnutý. Zařízení je v režimu čekání. Všechny funkce jsou neaktivní.

 TEMP	<p>1. Stiskněte jednou: Světlo se rozsvítí.</p> <p>2. Stiskněte znovu, dokud nedostanete požadované nastavení. Na displeji je uvedeno nastavení z tabulky:</p> <table border="1" data-bbox="272 254 1507 422"> <tr> <td>NO</td><td>0</td><td>1</td><td>2</td><td>3</td><td>4</td><td>5</td><td>6</td><td>7</td><td>8</td><td>9</td><td>10</td><td>N</td> </tr> <tr> <td>°C</td><td>20</td><td>21</td><td>22</td><td>23</td><td>24</td><td>25</td><td>26</td><td>27</td><td>28</td><td>29</td><td>30</td><td>C</td> </tr> <tr> <td>F</td><td>68</td><td>70</td><td>72</td><td>74</td><td>76</td><td>78</td><td>80</td><td>82</td><td>84</td><td>86</td><td>88</td><td>F</td> </tr> <tr> <td></td><td>69</td><td>71</td><td>73</td><td>75</td><td>77</td><td>79</td><td>81</td><td>83</td><td>85</td><td>87</td><td></td><td></td> </tr> </table> <p>POZNÁMKA: Stiskněte a podržte tlačítko po dobu 5 sekund, měřítko se změní z °C na °F. Stejně od °F do °C.</p>	NO	0	1	2	3	4	5	6	7	8	9	10	N	°C	20	21	22	23	24	25	26	27	28	29	30	C	F	68	70	72	74	76	78	80	82	84	86	88	F		69	71	73	75	77	79	81	83	85	87		
NO	0	1	2	3	4	5	6	7	8	9	10	N																																									
°C	20	21	22	23	24	25	26	27	28	29	30	C																																									
F	68	70	72	74	76	78	80	82	84	86	88	F																																									
	69	71	73	75	77	79	81	83	85	87																																											
 TIMER	<p>Programátorské tlačítko: Regulace nastavení programátoru za účelem vypnutí krbu o určené hodině. Rozsah nastavení od 0,5 do 8 hodin.</p>	<p>1. Stiskněte jednou: Kontrolka se zasvítí. Programátor je nastaven na 0,5 hodiny.</p> <p>2. Stiskněte opět až kým nezískáte požadovaná nastavení. Kontrolka ukazuje nastavení.</p>																																																			
 SPEED	<p>Rychlost efektu: Změňte rychlost efektu plamene. Existují 3 úrovně rychlosti: 01 (pomalá), 02 (střední), 03 (rychlá).</p>	<p>1. Zmáčkní jednou. Světlo se rozsvítí. Změní se rychlost</p> <p>2. Stiskněte znovu, dokud nedostanete požadované nastavení. Výchozí hodnota 03.</p>																																																			
 FLAME COLOR	<p>Tlačítko BARVY: Změna barvy pro efekt plamene. POZOR: Efekt barvy zůstává aktivní do okamžiku stisknutí tlačítka napájení. Efekt barvy plamene musí být zapojen za účelem spuštění topného tělesa.</p>	<p>1. Stiskněte jednou: Změna barvy plamene.</p> <p>2. Stiskněte opět dokud nedosáhnete požadovaného nastavení. K dispozici je šest barev.</p>																																																			
 FLAME BRIGHTNESS	<p>Tlačítko PLAMENU: nastavení jasu plamene. POZOR: Efekt plamene zůstává zapojen do okamžiku stisknutí tlačítka napájení. Efekt plamene musí být zapojen za účelem spuštění topného tělesa.</p>	<p>1. Stiskněte jednou: Změna jasu efektu plamene.</p> <p>2. Stiskněte opět dokud nedosáhnete požadovaného nastavení.</p>																																																			
 EMBER LIGHTS	<p>Tlačítko podsvícení mýtin: změni barvu v dolní části efektu. POZNÁMKA: Barevný efekt zůstane aktivní, dokud není stisknuto tlačítko napájení. POZNÁMKA: Tento krb má funkci pro zapamatování nastavení podsvícení.</p>	<p>1. Stiskněte jednou. Změna barvy podsvícení.</p> <p>2. Stiskněte znovu, dokud nedostanete požadované nastavení. 10 dostupných barev.</p> <p>3. Automatický cyklus: Po 11 stisknutí se barvy podsvícení automaticky změní (POZNÁMKA: změna barvy trvá 15 sekund.)</p>																																																			

 <p>EMBER BRIGHTNESS</p>	<p>Jas podsvícení: Změňte jas podsvícení.</p> <p>POZNÁMKA: Jas podsvícení zůstává aktivní, dokud není stisknuto tlačítko napájení.</p>	<ol style="list-style-type: none"> Zmáčkní jednou. Změna jasu podsvícení. Stiskněte znovu, dokud nedostanete požadované nastavení. 15 dostupných úrovní. <p>Od L1 - L2 - L3 - L4 - L5-L0 (OFF)</p>
--	--	---

<p>POZOR</p>	<p>Během prvního spuštění topného tělesa se může objevit jemný zápach. Je to normální jev a neměl by se opakovat, leda že ohřívací těleso nebude používáno delší dobu.</p>
---------------------	--

<p>POZOR</p>	<p>Za účelem zlepšení činnosti, nasměřujte ovladač na přední část krbu. NEstiskejte tlačítka příliš rychle. Počkejte chvíli než zařízení zareaguje na jednotlivé pokyny.</p>
---------------------	--


Ovládání omezení teploty

Ohřívací těleso je vybaveno ovládáním omezení teploty. V případě dosažení nebezpečně vysoké teploty, se ohřívací těleso vypne. Za účelem navrácení práce:

1. Vypojte napájecí kabel ze zásuvky.
2. Přepněte přepínač ON/OFF na OVLÁDACÍM PANELU na OFF. **Počkejte 5 minut.**
3. Zkontrolujte zda ventilační mřížky krbu nejsou zakryty nebo ucpané prachem. V případě ucpání, použijte vysavač za účelem jejich vyčištění.
4. S přepínačem nastaveným do polohy OFF, opětovně zapojte napájecí kabel do zásuvky.
5. Pokud problém nezmizí, svěťte kontrolu zásuvky a kabeláže specialistovi.



Informace o bateriích ovladače

- Dálkové ovládání používá jednu baterii CR2025 (součástí balení)

	<p>NIKDY nevhazujte baterie do ohně. Jednání nezhodné s tímto požadavkem může hrozit výbuchem. Použité baterie je třeba vyhazovat do speciálně označených nádob a odevzdat je ve Středisku Tříděného Sběru Komunálního Odpadu.</p>
---	---

Čištění a údržba

Čištění

	<p>Před zahájením čištění, údržby nebo přenášení krbu, je třeba VŽDY vypínat topné těleso a vypojit napájecí kabel ze zásuvky. Nedodržení tohoto požadavku může mít za následek vznik ohně, zasažení elektrickým proudem nebo poranění těla.</p>
	<p>NIKDY zařízení nezanařujte ve vodě ani nestříkejte na něj vodu. Takové jednání může mít za následek vznik ohně, zasažení elektrickým proudem nebo poranění těla.</p>

Kovové dílce:

- Leštěte suchým hadříkem, jemně navlhčeným v čistícím přípravku na bázi citrusových olejků.
- **NEpoužívejte** prostředky k leštění mosaze nebo domácí čistící prostředky, protože tyto výrobky poškozují kovové provedení.

Skleněné dílce:

- Používejte vysoce kvalitní prostředek na mytí skleněných ploch, rozprašován na hadřík nebo ručník. Důkladně osušte papírovým ručníkem nebo netřepícím hadříkem.
- **NIKDY** nepoužívejte brusné čistící prostředky, aerosole nebo jiné výrobky, které mohou poškrábat povrch.

Ventilační mřížky:

- Odstraňte prach a nečistoty z topného tělesa a povrchu mřížek prostřednictvím vysavače nebo hadříku na prach.

Plastové dílce:

- Jemně utřete hadříkem, jemně navlhčeným v jemném roztoku prostředku na mytí nádobí a teplé vody.
- **NIKDY** nepoužívejte brusné čistící prostředky, aerosole nebo jiné výrobky, které mohou poškrábat povrch.

Údržba



Riziko zasažení proudem! NEOTVÍREJTE žádné panely! Zařízení neobsahuje díly určeny k samostatné opravě!



Před zahájením čištění, údržby nebo přenášení krbu, **VŽDY vypínejte** topné těleso a **vypojte napájecí kabel ze zásuvky**. Nedodržení tohoto požadavku může mít za následek vznik ohně, zasažení elektrickým proudem nebo poranění těla.

Elektrické a pohyblivé díly:

- Motory ventilátorů byly výrobně namazány a nevyžadují pozdější namazání.
- Elektrické díly jsou integrovány v zařízení a nesmí být samostatně opravovány.

Přechovávání:

- Nepoužívané zařízení je třeba přechovávat na čistém, suchém místě.



UPOZORNĚNÍ! Vnitřní elektrické díly **NEJSOU URČENY** k samostatné opravě uživatelem.



WEEE:

Likvidace a recyklace:

Toto zařízení nesmíte vyhazovat s obyčejným, netříděným komunálním odpadem. Je třeba používat speciální sběrná místa. Za účelem získání informací týkajících se dostupných systémů sběru odpadů je třeba kontaktovat místní orgány. V případě likvidace elektrických zařízení na smetištích nebo skládkách odpadu může dojít k průniku nebezpečných látek do podzemních vod a jejich průniku do potravinového řetězce, což může mít negativní vliv na zdraví a sebevědomí.

V případě výměny starých zařízení za nové má prodejce právní povinnost přijmout staré zařízení na likvidaci bez žádných doplňkových poplatků.

Pokyny pro propojení aplikací

1. Stáhněte si aplikaci

- Stáhněte si "Tuya Smart" z obchodu s aplikacemi.
- Naskenujte QR kód.
- Zapněte na svém mobilním zařízení „GPS“.



Poznámka: Ujistěte se, že je váš mobilní telefon připojen k nejbližšímu signálu WIFI.

2.. Přihlásit se

- Zaregistrujte se pomocí svého e-mailu nebo mobilního čísla jako uživatelského jména.
- Nastavte si heslo k účtu.

15:40

Register

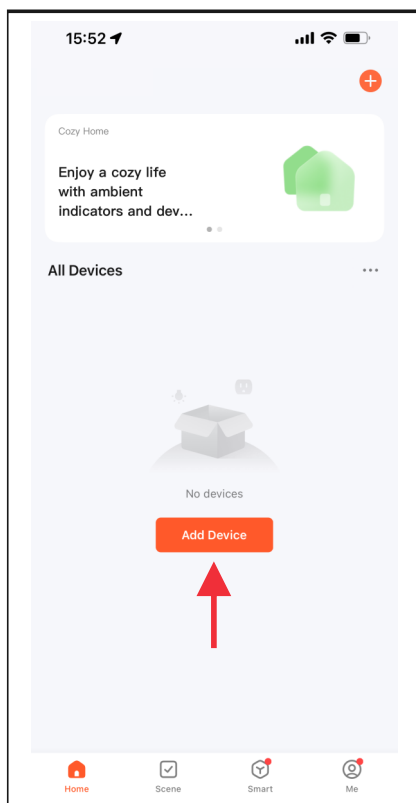
Mobile Number/Email

I Agree [Privacy Policy](#) [User Agreement](#) [Children's Privacy Statement](#) and [Third Party Information Sharing List](#)

Get Verification Code

3. Přidat zařízení

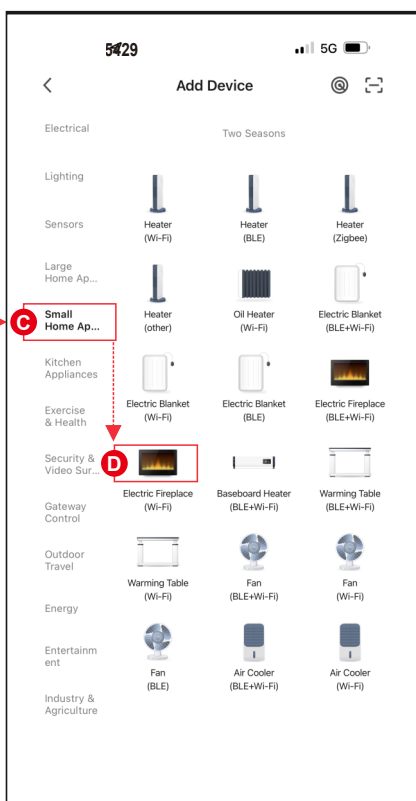
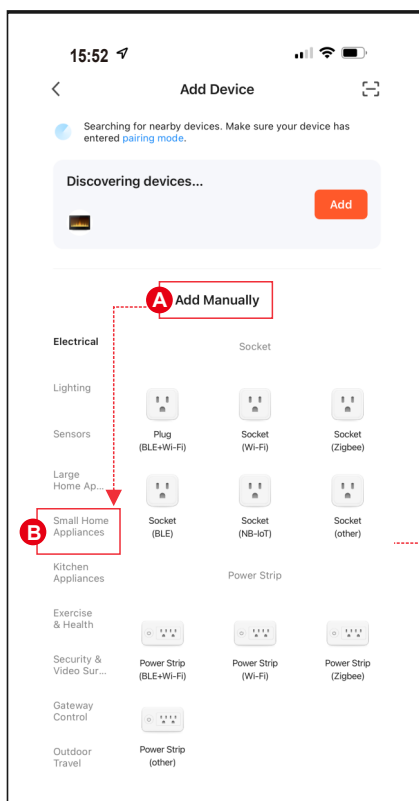
Po vytvoření účtu se do něj přihlaste a zvolte tlačítko „Přidat zařízení“.




3. Přidat zařízení – pokračování

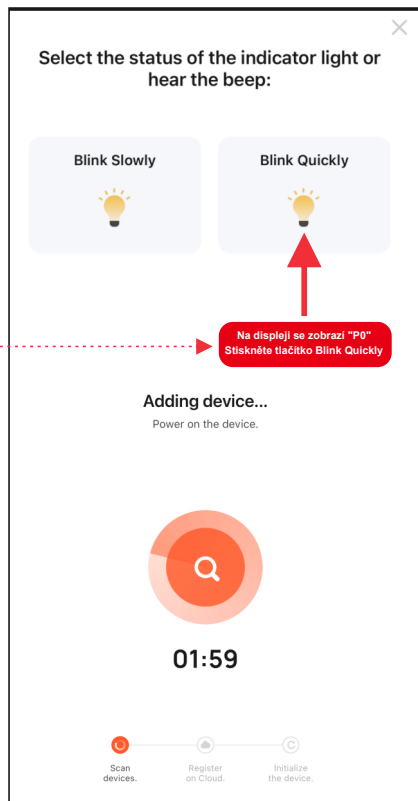
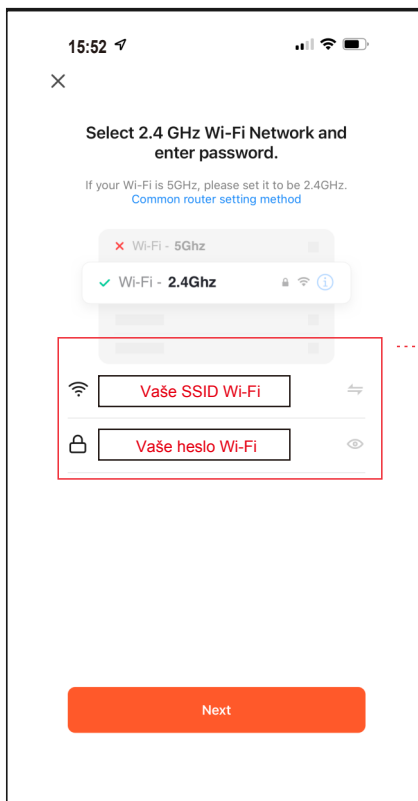
Existují tři způsoby přidání elektrického krbu.

- **Metoda 1:** Přidat ručně v režimu "P0". Postupujte podle kroků A, B, C, D níže.
- **Metoda 2:** Přidat ručně v režimu "P1". Postupujte podle kroků A, B, C, D níže.
- **Metoda 3:** Přidat přes Bluetooth. Před přidáním zapněte na svém mobilním telefonu Bluetooth. (Nejlepší způsob)




4. Způsob připojení 1 - (P0)

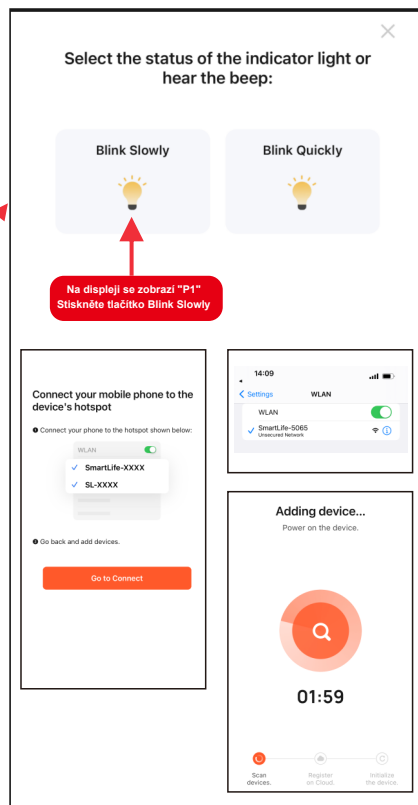
- Stiskněte a podržte  na dálkovém ovladači a z krbu uslyšíte „pípnutí“.
- Zadejte název WIFI a heslo a poté spárujte stisknutím „Next“.
- Stiskněte tlačítko **Blink Quickly**, zařízení se přidá.



4. Způsob připojení 2 - (P1)


- Stiskněte a podržte  na dálkovém ovladači a z krbu uslyšíte „pípnutí“.
- Zadejte název WIFI a heslo a poté spárujte stisknutím „Next“.

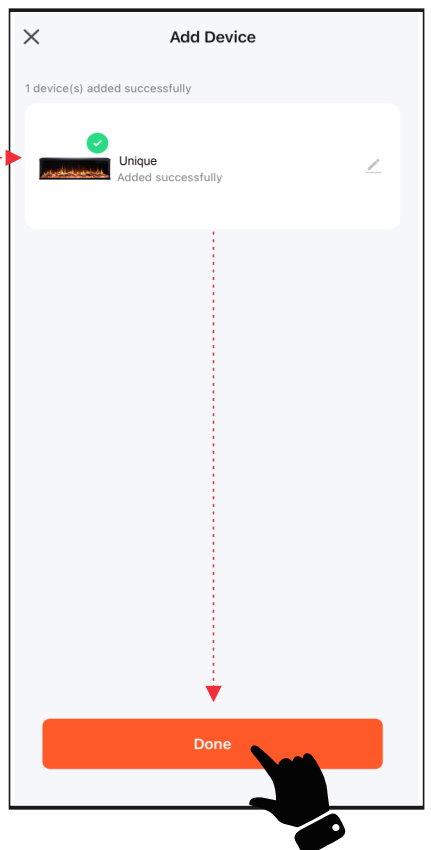
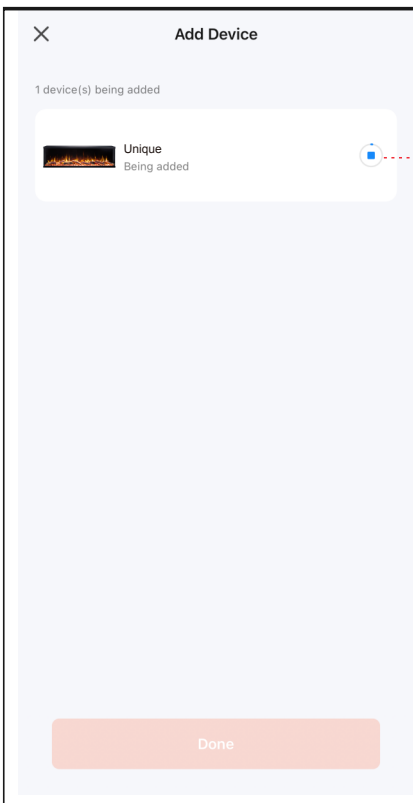
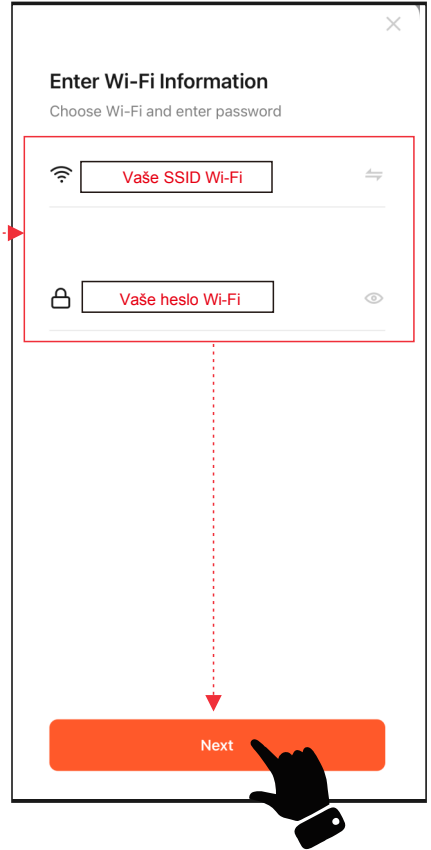
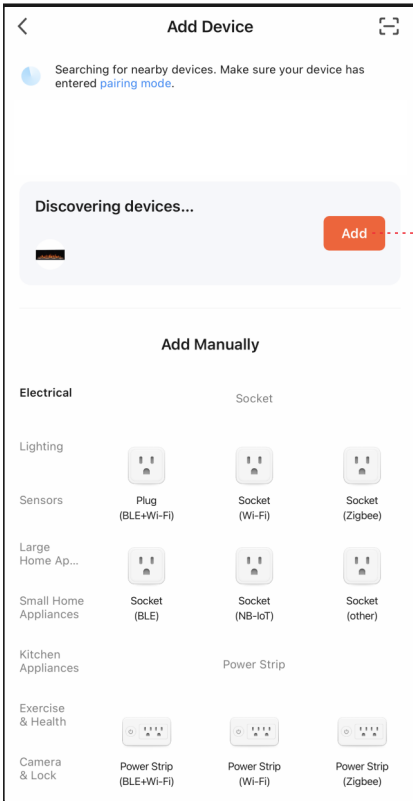
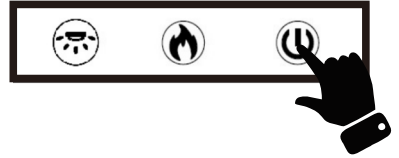
- Stiskněte tlačítko **Blink Slowly**. Poté pokračujte v připojení mobilního telefonu k hotspotu zařízení.
- Vyberte hotspot svého zařízení (**SmartLife-xxxx**) a poté se vraťte do zařízení. Zařízení se přidává.



4. Způsob připojení 3 - (Bluetooth)

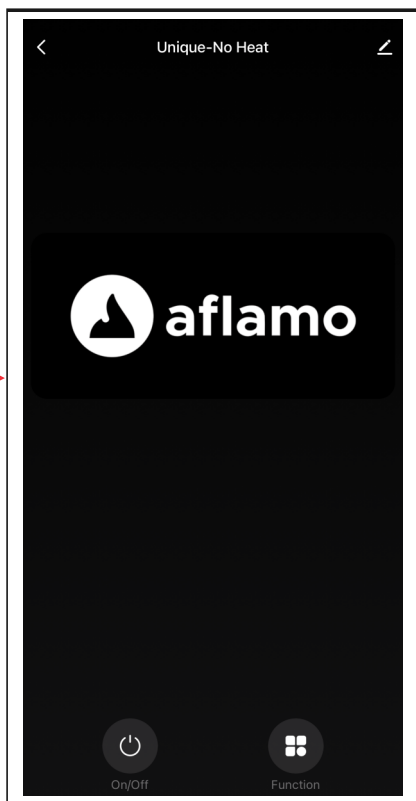
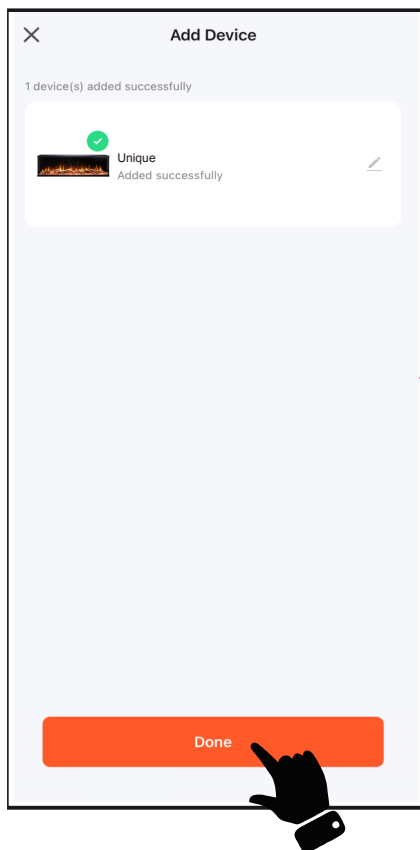


- Stiskněte a podržte  na dálkovém ovladači a z krbu uslyšíte „pípnutí“.
- Stiskněte **Add**, když uvidíte zařízení s názvem „Unique“.
- Zadejte název WIFI a heslo a poté spárujte stisknutím „Next“.

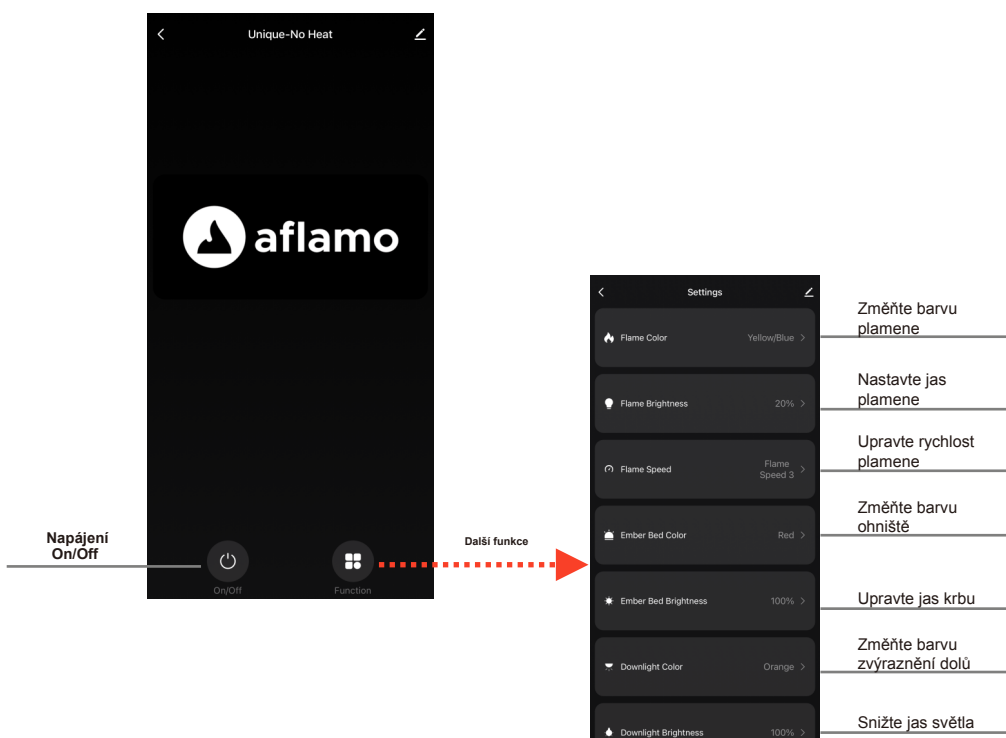


5. Skončilo

- Stiskněte **Done** pro dokončení.

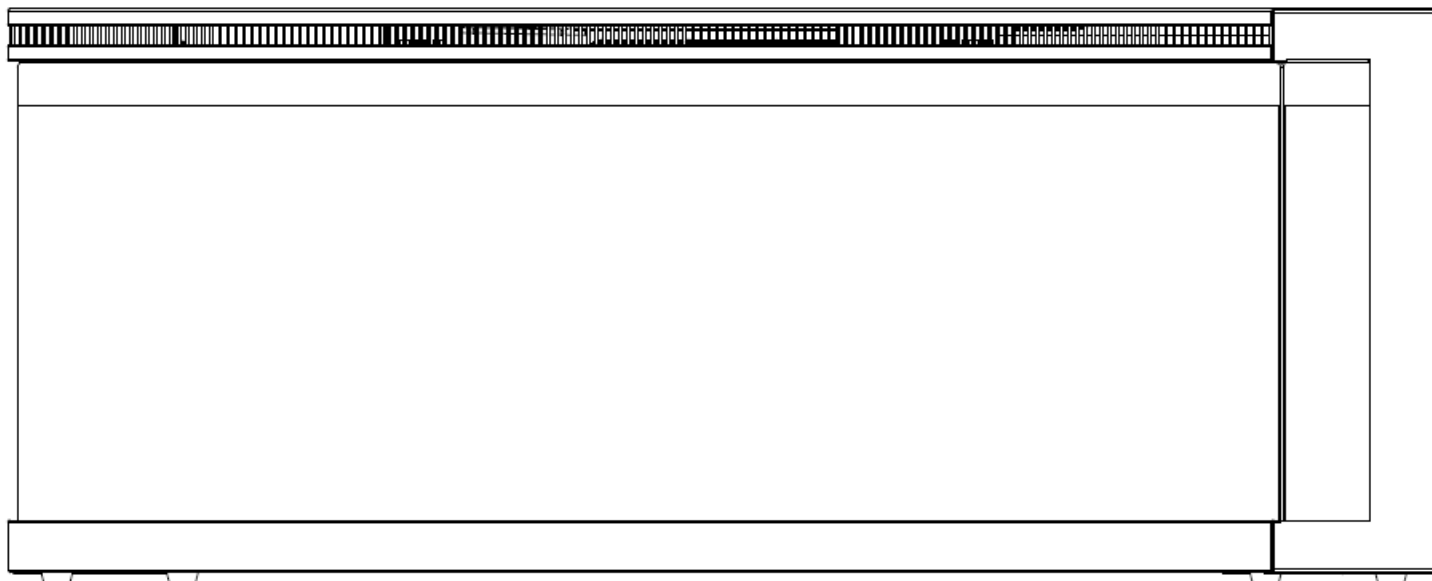


Aplikační manuál





AFLAMO UNIQUE

UŽÍVATEĽSKÝ NÁVOD



UNIQUE 107/127/153/166/183/254
Nástenný elektrický krb / pre zástavbu

AC 220V-240V 50Hz 1400-1600W

 UPOZORNĚNIE	<p>Pred zapojením alebo použitím zariadenia, si prečítajte s pochopením celý užívateľský návod so zohľadnením všetkých informácií týkajúcich sa bezpečnosti. Nedodržanie tejto požiadavky môže mať za následok vznik ohňa, zasiahnutie elektrickým prúdom alebo vážne poranenie tela.</p>
 POZOR	<p>Uchovajte tento užívateľský návod za účelom jeho použitia v budúcnosti. V prípade predaje alebo odovzdania zariadenia, je treba bezodkladne priložiť k nemu návod.</p>



DÔLEŽITÉ BEZPEČNOSTNÉ POKYNY:

UPOZORNENIE:

Počas používania elektrických zariadení je treba vždy dodržiavať základné bezpečnostné prostriedky za účelom zníženia rizika požiaru, zásahu elektrickým prúdom a zranenia osôb, so zohľadnením dole uvedených pokynov:

- Prečítajte všetky návody pred použitím tohto zariadenia.
- Zariadenie sa počas práce zohrieva. Za účelom vyhnutiu sa popáleniu, nedotýkajte horúce plochy.. Pokiaľ sú dostupné – používajte držiaky za účelom prenášania zariadenia. Horľavé materiály také akými sú nábytok, vankúše, posteľné prádlo, dokumenty, šaty a záclony prechovávajúte vo vzdialenosti najmenej 1 m od prednej strany zariadenia. Všetky tieto predmety držte zďaleka od bokov a zadnej časti zariadenia. Za účelom vyhnutiu sa prehriatiu, zariadenie ničím nezakrývajte.
- Zvláštnu pozornosť je potrebné venovať, keď je vykurovacie zariadenie používané v blízkosti detí alebo postihnutých osôb a keď je ponechané zapnuté bez dozoru.
- Nepoužívané zariadenie je potrebné vypojiť z napájania.
- Nespúšťajte zariadenie s poškodeným napájacím káblom alebo zástrčkou, alebo v prípade poruchy zariadenia pádu z výšky. Zariadenie je potrebné odovzdať do autorizovaného servisu za účelom preskúmania, elektrického alebo mechanického nastavenia alebo opravy.
- Zariadenie je určené výlučne na použitie vo vnútri budovy.
- Zariadenie nepoužívajte v kúpeľniach, práčovniach a podobných miestnostiach. Zariadenie nikdy neumiestňujte v miestach, kde môže spadnúť do vane alebo inej nádrže s vodou.
- Napájací kábel nevedzte pod krytinou. Kábel nezakrývajte kobercami, behúňmi a inými krytinami. Kábel vedzte zďaleka od často navštevovaných miest a takým spôsobom, aby sa nikdo o neho nepotkol.
- Za účelom vypnutia zariadenia, vypnite všetky kontrolky do polohy „OFF” a následne vytiahnite zástrčku zo zásuvky.
- Nevkladajte ani nedovoľte, aby sa akékoľvek predmety dostali do ventilačných otvorov a prívodu vzduchu, pretože to môže spôsobiť zasiahnutie prúdom, požiar alebo poškodenie zariadenia.
- Za účelom vyhnutiu sa riziku požiaru, neblokujte prívody a vývody vzduchu akýmkoľvek spôsobom. Zariadenie nepoužívajte na mäkkých plochách takých akou je posteľ, kde otvory môžu byť zablokované.
- Krb má vo vnútri ohrievacie diely a diely, ktoré môžu vytvárať iskry a elektrické oblúky. Nepoužívajte v miestach prechovávania benzínu, farieb alebo iných ľahko horľavých kvapalín.
- Krb používajte spôsobom znázorneným v tomto návode. Všetky iné použitia neodporúčané výrobcom môžu spôsobiť požiar, zasiahnutie elektrickým prúdom alebo poranenie osôb.
- NEBEZPEČÍ – VYSOKÉ teploty môžu byť generované v nevhodných pracovných podmienkach. Vykurovacie zariadenie nezakrývajte úplne alebo čiastočne spredu.
- Svietidlá je možné vymieňať výlučne po odpojení krbu z napájania.
- Toto zariadenie nie je určené na používanie osobami (vrátane detí) so zníženými fyzickými, duševnými alebo vnemovými schopnosťami alebo osobami, ktoré nemajú príslušné vedomosti alebo skúsenosti, iba ak sa nachádzajú pod dozorom osoby zodpovednej za ich bezpečnosť alebo boli ňou poučené v rozsahu používania zariadenia. Je potrebné dbať na to, aby sa deti nehrali so zariadením.
- POZOR: Za účelom vyhnutiu sa rizika spôsobeného neúmyselným resetovaním termických prepäťových vypínačov, krb nesmiete zapájať do vonkajšieho prepínacieho zariadenia, akými sú programátor alebo obvod s cyklickou sústavou zapínania a vypínania.

Príprava



Tento výrobek je vybaven **skleneným panelom!** Vždy během přenášení **skla** je třeba zachovat **zvláštní opatrnost**. Nedodržení tohoto pokynu může mít za následek zranění těla nebo poškození majetku.

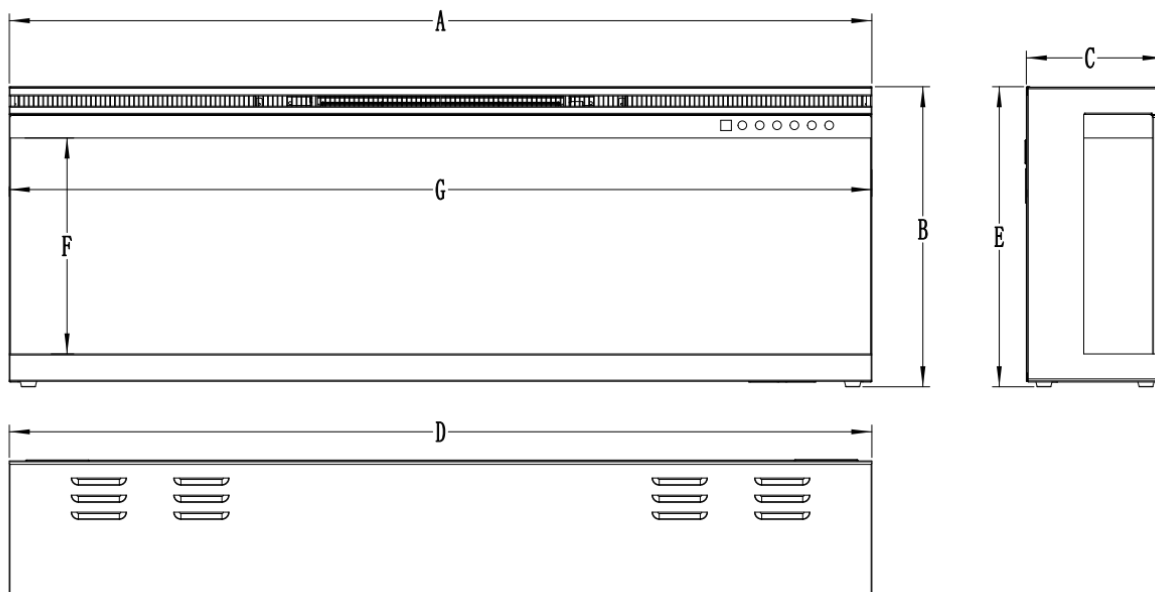
Vyberte všetko sústrojenstvo a montážne diely z kartónu a položte ich na čistom, mäkkom a suchom podklade. Skontrolujte zoznam dielov za účelom uistenia, že nič nechýba. Baliace materiály je potrebné zlikvidovať vhodným spôsobom. Vždy, keď je to možné, je potrebné odovzdávať odpady na opätovné spracovanie.

Potrebné bude nasledujúce náradie (nepredstavujú vybavenie): krížový skrutkovač; vodováha; meradlo; vŕtačka; kladivo.

Sústrojenstvo a montážne diely

<p>A – Krb</p>	<p>B-Zápusťné skrutky do dreva</p>	<p>C- Kotvy</p>
	<p>D-Ovládač diaľkového ovládania</p>	<p>E-Vklad</p>
	<p>F - Polená</p>	<p>G-Kryštáliky - veľké</p>
<p>I-Nástenný držiak Montovaný v zadnej časti krytu</p>	<p>J- Držiak v tvare písmena "L"</p>	

Špecifikácie a rozmery



ROZMERY VÝROBKU (mm)

Číslo modelu	A	B	C	D	E	F	G
UNIQUE 107	1067	440	200	1067	440	316	1065
UNIQUE 127	1262	440	200	1262	440	316	1260
UNIQUE 153	1524	440	200	1524	440	316	1522
UNIQUE 166	1650	440	200	1650	440	316	1648
UNIQUE 183	1828	440	200	1828	440	316	1826
UNIQUE 254	2540	440	200	2540	440	316	2538

Montáž a inštalovanie

Zariadenie je určené na montáž na stenu, vstavané v stene, a/alebo v kryte. Zvoľte vhodné miesto, ktoré nepodlieha vlhku a nachádza sa zďaleka od záclon, nábytku a miest s veľkou intenzitou pohybu.

POZOR: Je potrebné dodržiavať všetky tuzemské a miestne elektrické predpisy. Do elektrického krbu bol pridaný napájací kábel. Pokyny pre pripojenie trvalého pripojenia nájdete v kapitole popisujúcej montáž trvalého pripojenia.

MINIMÁLNY ODPSTUP OD ĽAHKO HORĽAVÝCH MATERIÁLOV

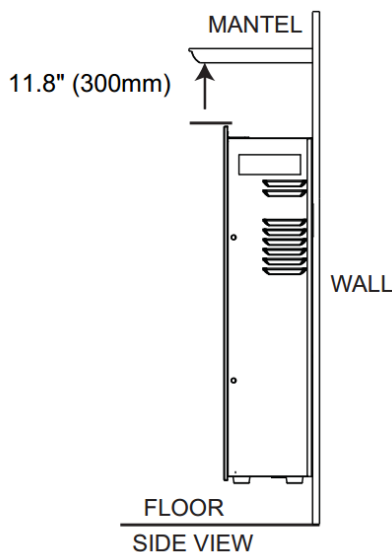
Merania sú vykonávané od sklenenej prednej strany.

Dolná časť	0mm	Horná časť	300mm od krytu
Boky	0mm	Horná časť	300mm od stropu
Zadná časť	0mm		

MINIMÁLNY ODPSTUP OD KRYTU

POZOR

S POUŽITÍM FARBY ALEBO UKONČOVACIEHO LAKU KRYTU, FARBA ALEBO LAK MUSIA BYŤ TEPELNE ODOLNÉ ZA ÚČELOM PREDCHÁDZANIA ODFARBENIAM.



Montáž trvalého pripojenia vo výklenku

POZOR

PRED ZAČATÍM PRÁCE ÚPLNE VYPNITE SPOTREBIČ A POČKAJTE, KÝM SA OCHLADÍ. SERVISNÉ A OPRAVÁRENSKÉ PRÁCE MÔŽU VYKONÁVAŤ IBA KVALIFIKOVANÉ OSOBY.

TRVALÉ PRIPOJENIE

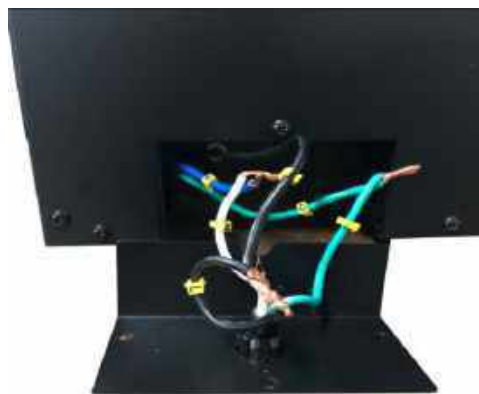
Pri trvalom pripojení musí kvalifikovaný elektrikár odpojiť drôtové pripojenie a pripojiť zariadenie priamo k domácemu vedeniu. **POZOR: Nutný istič 15 A (alebo vyšší).**

Pri trvalom pripojení musí byť zariadenie pripojené a uzemnené v súlade s miestnymi predpismi. V prípade, že neexistujú miestnych predpisy, mal by byť dodržaný Národný elektrotechnický kódex (NATIONAL ELECTRICAL CODE).

Fig.A



Fig.B



NAJSKÔR ODPOJTE NAPÁJANIE OD SPÍNAČA

A. Odskrutkujte tri skrutky, aby ste odstránili kryt z pravej strany v spodnej časti zariadenia, ako je znázornené vyššie (pozri Obr. A).

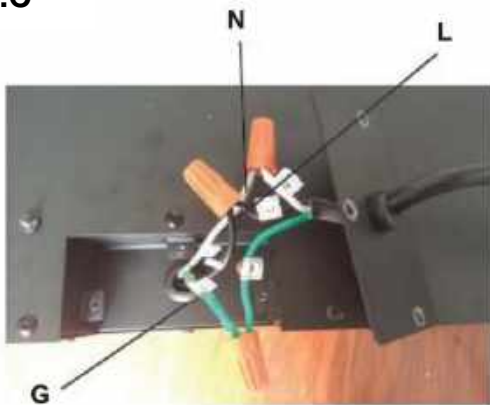
B. Odstráňte konektor z napájacieho kábla. Napájací kábel už nie je potrebný (pozri Obr. B).

C. Vytvorte otvor 7/8" (22,2 mm) v novom kryte, ktorý je súčasťou balenia. Pripojte konektor cez otvor v kryte. Pretiahnite drôty cez konektor.

D. Pomocou konektorov pripojte zelené uzemňovací vodiče (G), štandardné biele vodiče (N) a následne čierne termoelektrické vodiče (L) (pozri obr. C).

E. Zaskrutkujte veko späť na miesto tromi skrutkami, ako je znázornené na obr. 4-1.

Fig.C



7/8" (22.2mm)
Diameter



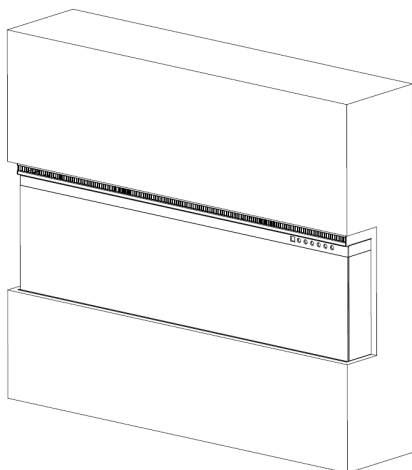
Konektor



Kryt

Montáž

Zariadenie môže byť inštalované v jednej z troch konfigurácií: **jednostrannej, dvojstrannej a trojstrannej.**

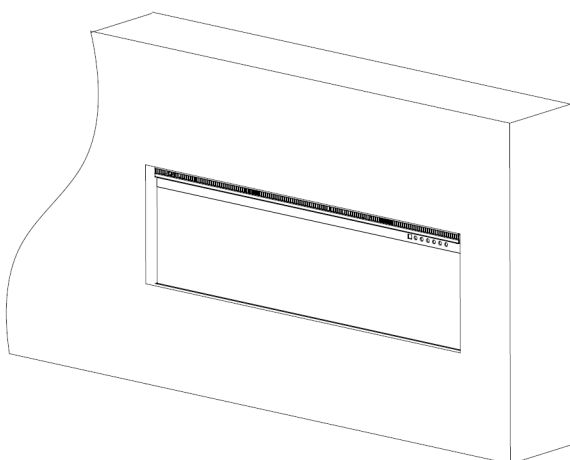
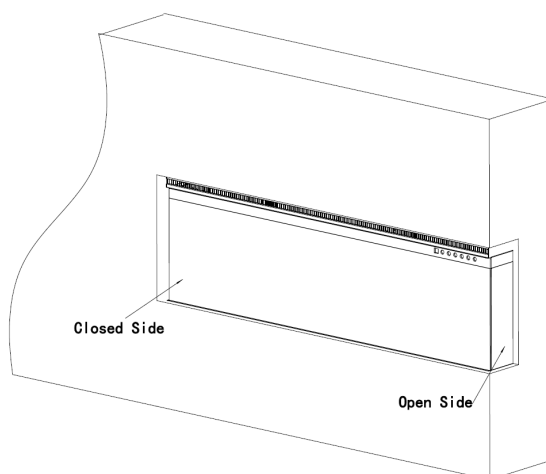


Trojstranná inštalácia

- Sklo je viditeľné z prednej, ľavej a pravej strany.
- Zariadenie je celé zabudované vo výklenku v stene tak, aby boli obe strany viditeľné.

Dvojstranná inštalácia

- Sklo je viditeľné z prednej a ľavej alebo pravej strany.
- Zariadenie je celé zabudované vo výklenku v stene tak, aby bola viditeľná jedna zo strán.

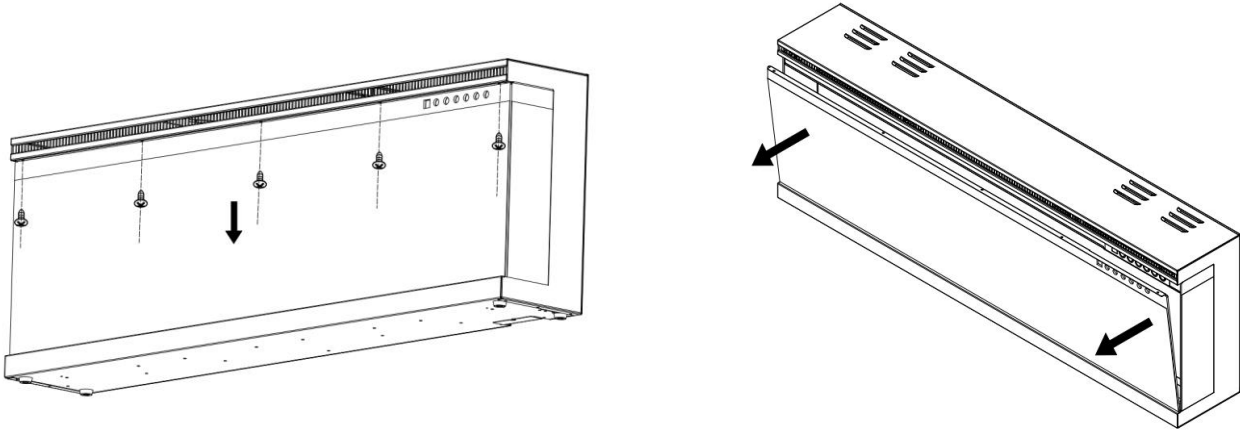


Jednostranná montáž

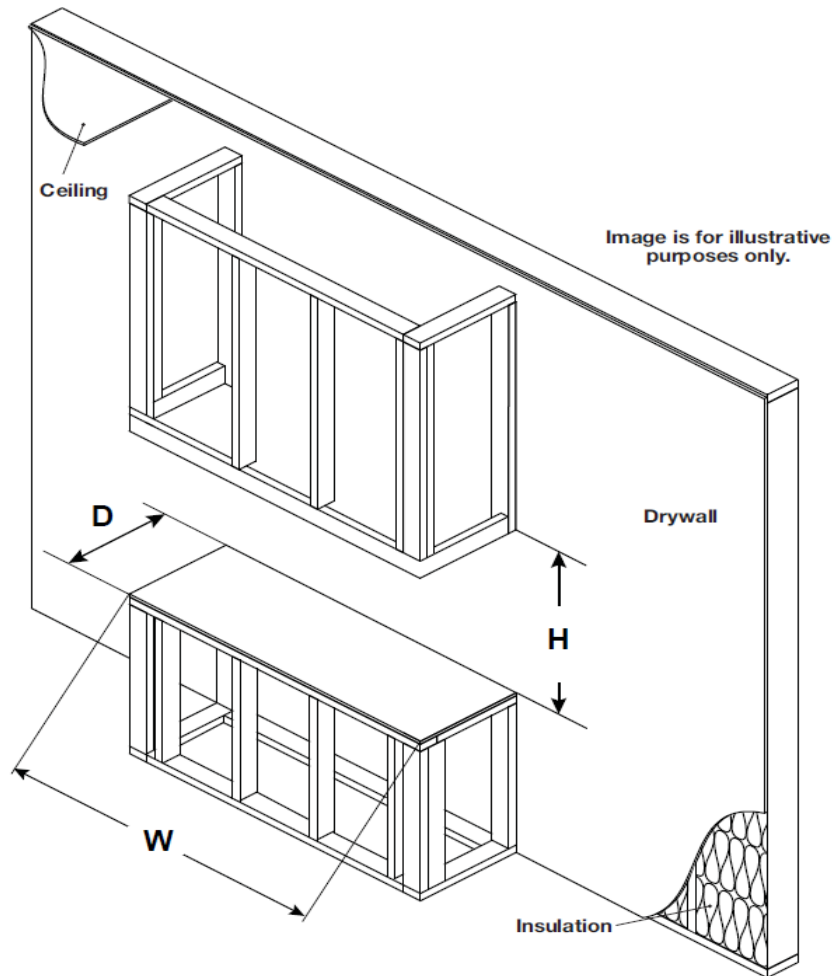
- Sklo je viditeľné IBA spredu.
- Zariadenie je celé zabudované do steny.

Inštalácia / odstránenie predného skla

- Odstráňte všetky skrutky z hornej časti skleneného panelu.
- Sklopte predný panel dopredu. Na odstránenie skleneného panelu budete potrebovať dvoch ľudí.
- Ak chcete nainštalovať predný panel, postupujte podľa vyššie uvedených krokov v opačnom poradí.



Inštalácia / rám



Upozornenie: Krb nainštalujte tak, aby ho bolo možné v prípade poruchy odmontovať zo steny na servisné účely.

Číslo modelu	W	D	H
UNIQUE 107	1067 (mm)	210 (mm)	443 (mm)
UNIQUE 127	1262 (mm)	210 (mm)	443 (mm)
UNIQUE 153	1524 (mm)	210 (mm)	443 (mm)
UNIQUE 166	1650 (mm)	210 (mm)	443 (mm)
UNIQUE 183	1828 (mm)	210 (mm)	443 (mm)
UNIQUE 254	2540 (mm)	210 (mm)	443 (mm)

Upozornenie:

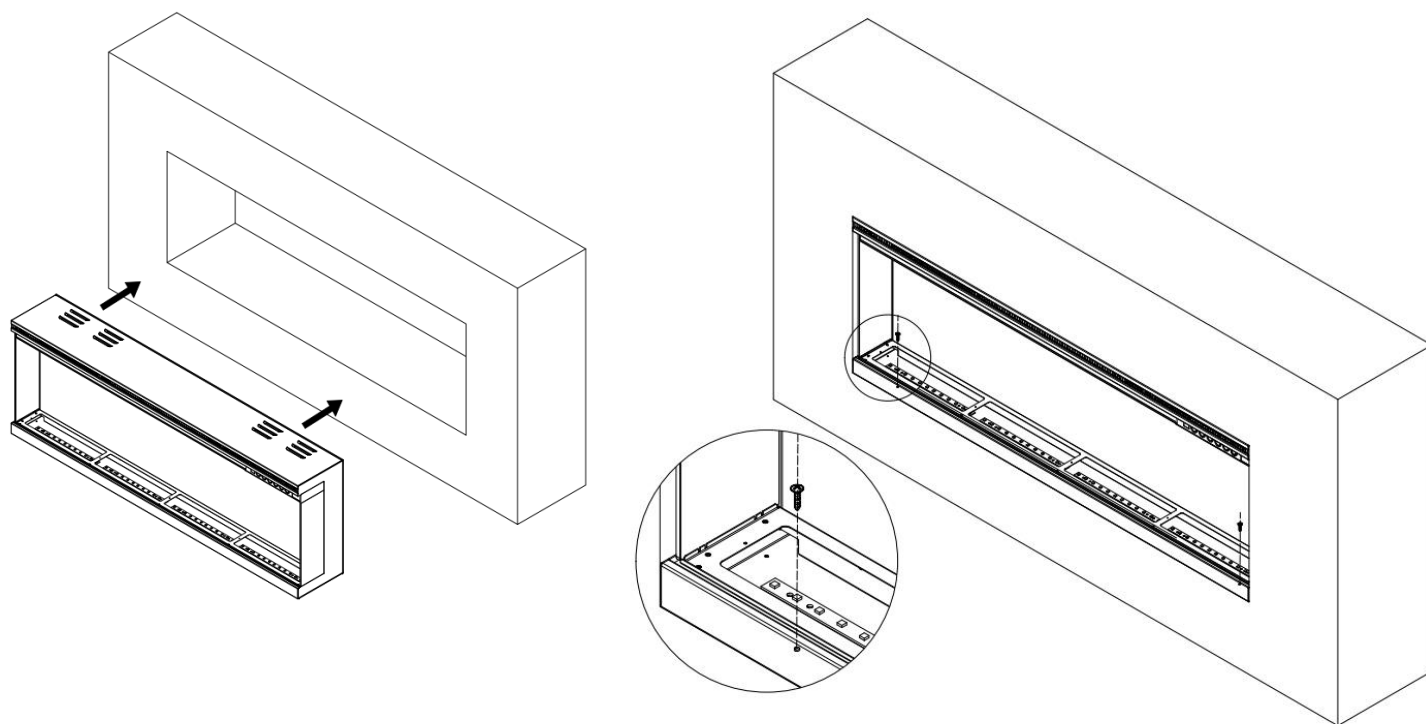
Zariadenie NIE JE navrhnuté tak, aby vydržalo veľké zaťaženie. Pri montáži rámu by ste mali starostlivo zvážiť výber použitých materiálov.

Uistite sa, že montáž spĺňa požiadavky stavebných predpisov a požiadaviek.

Všetky možnosti montáže majú rovnaké požiadavky na rám.

Upozornenie:

Ak je zariadenie úplne zabudované do steny, zaistite krb krátkymi skrutkami (B) pod vkladom. Pozri ilustrácia nižšie



NÁSTENNÁ MONTÁŽ

Z dôvodu mnohých rôznych materiálov používaných na rôznych stenách, odporúča sa konzultácia s profesionálom pred nainštalovaním tohto zariadenia na stene.

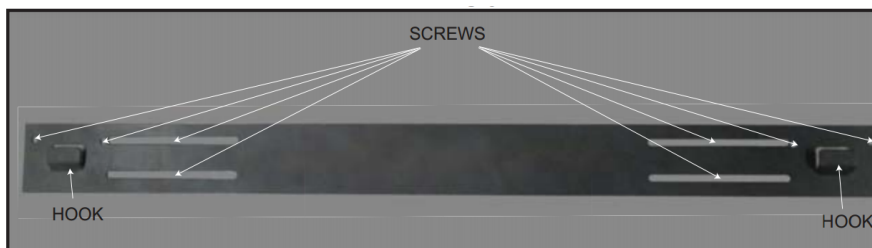
A. Zvoľte miesto, ktoré nepodlieha vlhku a nachádza sa najmenej 100 cm od ľahko horľavých materiálov, takých akými sú záclony, nábytok, posteľ, papier atď.

B. Pre určenie konečnej lokalizácie sú potrebné dve osoby na držanie.

C. Kryt umiestnite prednou časťou dolu na mäkký, nedrsny povrch. Vyberte vzperu zo zadnej časti zariadenia vyskrutkovaním skrutiek, vid' Obrázok 1.

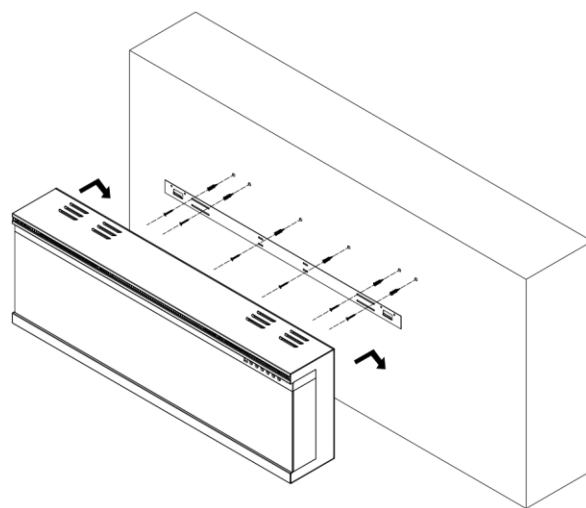
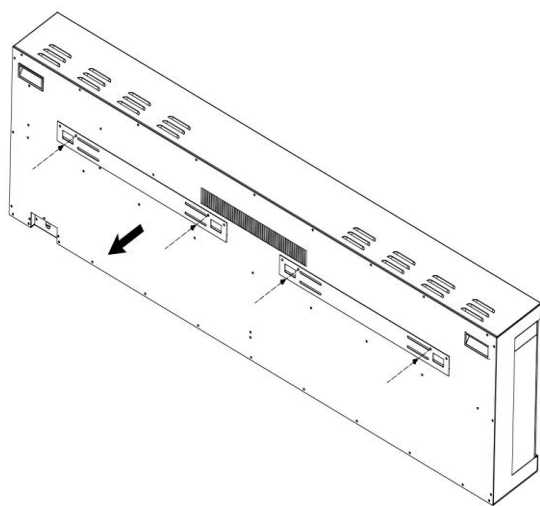
D. Označte polohu a následne pripevnite vzperu do steny prostredníctvom dodaných skrutiek. Úchytky vzpery MUSIA byť nasmerované hore a samotnú vzperu je potrebné nivelovať.

POZOR: Rozhodne sa odporúča, aby montážna vzpera (E) bola priskrutkovaná k nástenným kolíkom tam, kde je to možné. Pokiaľ nie je možné použiť nástenné zápusťné skrutky, uistite sa, že dodané plastové kotvy sú použité na pripevnenie vzpery ku stene, a vzpera je vhodne zaistená.



E. Po nainštalovaní nástennej montážnej vzpery, s pomocou druhej osoby zdvihnite zariadenie a nasadte dve úchytky vzpery v otvoroch na zadnej stene zariadenia.

F. Skontrolujte stabilitu zariadenia, uistite sa, že vzpera sa nevysunie zo steny.



Ilustrácia predstavujúca nástennú vzperu pre modely UNIQUE 183

Montáž držiaka v tvare písmena L”

A.Odstráňte striebornú skrutku v spodnej časti zariadenia. (**Obr. 1-1**). Odložte skrutku stranou.

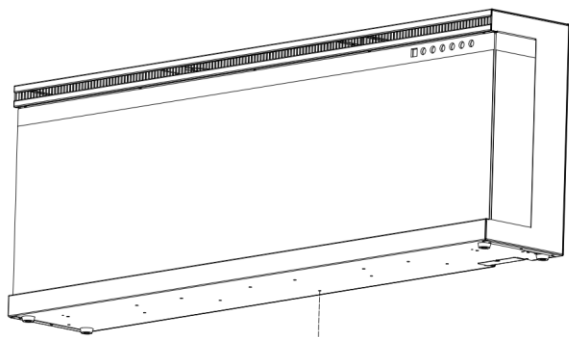


Fig 1-1

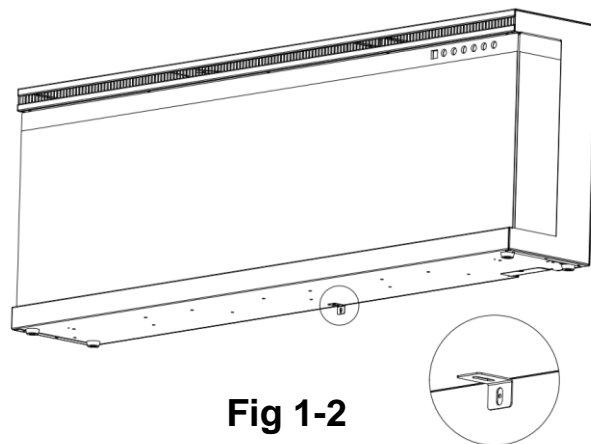


Fig 1-2

B.Pomocou tejto skrutky nainštalujte držiak v tvare písmena "L" (**J**) v spodnej časti krbu. (**Obr. 1-2**)

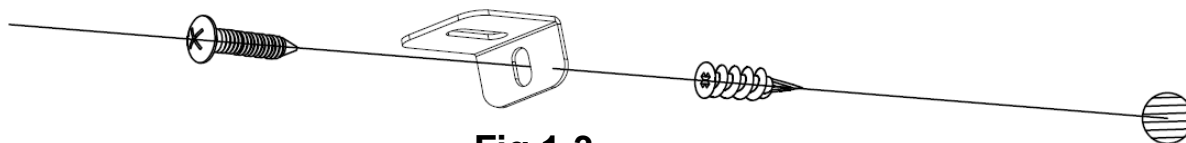


Fig 1-3

C.Namontujte plastovú kotvu (**C**) do suchej steny a potom zamontujte dlhšiu skrutku (**B**) (súčasťou balení) cez otvor v držiaku v tvare písmena "L" v kotve, aby ste pripevnili krb k stene. (**Obr. 1-3**)

Montáž polien / kryštály

(**POZNÁMKA:** Zamontujte vklad podľa vašich predstáv.)

A. Pred montážou prvkov vkladu je nutné odstrániť sklenený panel a kotvy a zamontovať zariadenie na jeho konečnom mieste.

B. Položte vklad (**E**) na miesto matným povrchom smerom nahor. Opatrne umiestnite kryštály (**H**) v spodnej časti prednej časti zariadenia, ako je znázornené na obrázku. Kryštály by mali byť rovnomerne rozložené. **Obr. 2-1, Obr. 2-2**

C. Umiestnite veľké kryštály (**G**) na menšie kryštály podľa vášho uváženia. **Obr. 2-3**



Figure 2-1.



Figure 2-2.

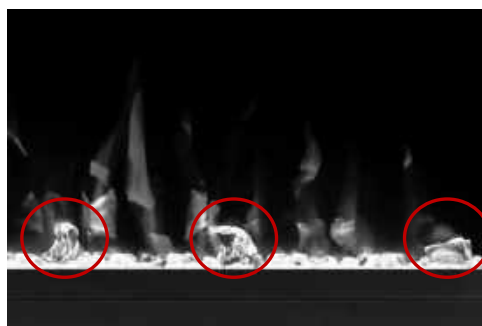


Figure 2-3.

Montáž voliteľného prvku - polená

Opatrne umiestnite sadu polien (**F**) na určené miesto v ohnisku. **Obr. 3**



Polená (Figure 3.)



Pred zapojením alebo použitím zariadenia, prečítajte s pochopením celý užívateľský návod so zohľadnením všetkých informácií týkajúcich sa bezpečnosti. Nedodržanie tejto požiadavky môže mať za následok vznik ohňa, zasiahnutie elektrickým prúdom alebo vážne poranenie tela alebo smrť.

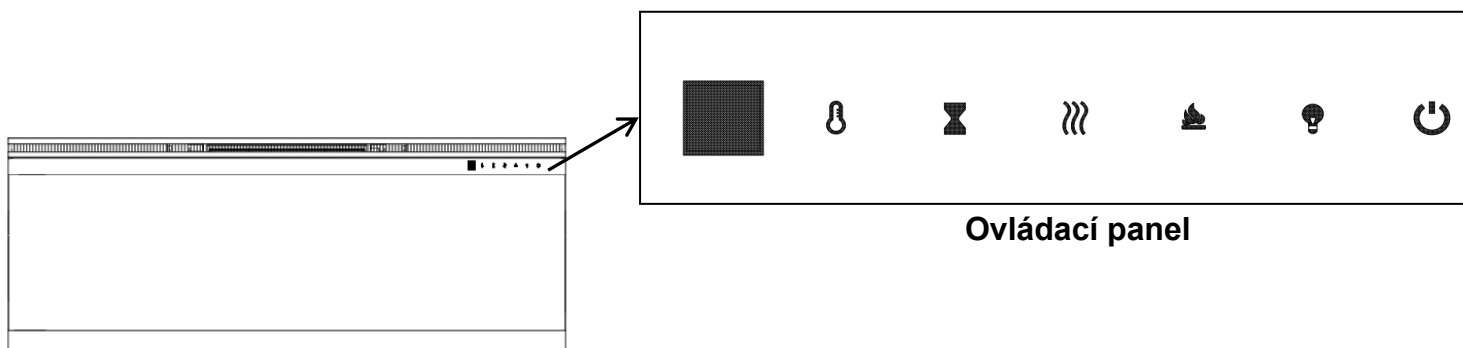
Zapojenie do napájania

Zapojte napájací kábel do zásuvky AC 220-240 V (viď **DÔLEŽITÉ BEZPEČNOSTNÉ NÁVODY** na stranách 2 a 3). Uistite sa, že zásuvka je v dobrom technickom stave a zástrčka nie je voľná. NIKDY neprekračujte povolenú intenzitu prúdu pre obvod. **NEzapájajte** iné zariadenia do rovnakého obvodu.

Spôsobu obsluhy



Tento krb je možné obsluhovať prostredníctvom DOTYKOVÉHO PANELU nachádzajúceho sa na prednej strane krbu alebo s použitím OVLÁDAČA DIAL'KOVÉHO OVLÁDANIA, napájaného batériami.





Pred prístupom k obsluhu sa zoznámte s **PLATNÝMI BEZPEČNOSTNÝMI NÁVODMI** na stranách 2 a 3 a dodržiavajte ich.



Ovládací panel


Obsluha ovládacieho panela







TLAČIDLO	FUNKCIA	FUNGOVANIE A SIGNALIZÁCIA																																																				
 POWER	ZAP.: Aktivuje funkciu ovládacieho panela a ovládača. Zapína efekt plameňa. VYP: Blokuje funkciu ovládacieho panela a ovládača. Vypína efekt plameňa.	<ol style="list-style-type: none"> Stlačte raz: Kontrolka bude svietiť. Zapojenie napájania. Všetky funkcie sú aktívne. Stlačte opäť: Efekt plameňa je vypnutý. Zariadenie je v režime čakania. Všetky funkcie sú neaktívne. 																																																				
 TEMP	<ol style="list-style-type: none"> Stlačte raz: Rozsvieti sa kontrolka. Teplota sa zmení na 18 °C. Opakujte stlačenie až kým nedosiahnete požadované nastavenie. Displej zobrazuje nastavenie z tabuľky: <table border="1" data-bbox="259 1617 1494 1785"> <tbody> <tr> <td>NO</td> <td>0</td> <td>1</td> <td>2</td> <td>3</td> <td>4</td> <td>5</td> <td>6</td> <td>7</td> <td>8</td> <td>9</td> <td>10</td> <td>N</td> </tr> <tr> <td>°C</td> <td>20</td> <td>21</td> <td>22</td> <td>23</td> <td>24</td> <td>25</td> <td>26</td> <td>27</td> <td>28</td> <td>29</td> <td>30</td> <td>C</td> </tr> <tr> <td>°F</td> <td>68</td> <td>70</td> <td>72</td> <td>74</td> <td>76</td> <td>78</td> <td>80</td> <td>82</td> <td>84</td> <td>86</td> <td>88</td> <td>F</td> </tr> <tr> <td></td> <td>69</td> <td>71</td> <td>73</td> <td>75</td> <td>77</td> <td>79</td> <td>81</td> <td>83</td> <td>85</td> <td>87</td> <td></td> <td></td> </tr> </tbody> </table>	NO	0	1	2	3	4	5	6	7	8	9	10	N	°C	20	21	22	23	24	25	26	27	28	29	30	C	°F	68	70	72	74	76	78	80	82	84	86	88	F		69	71	73	75	77	79	81	83	85	87			<p>POZNÁMKA: Stlačením a podržaním tlačidla na 5 sekúnd sa stupnica zmení z °C na °F a naopak.</p>
NO	0	1	2	3	4	5	6	7	8	9	10	N																																										
°C	20	21	22	23	24	25	26	27	28	29	30	C																																										
°F	68	70	72	74	76	78	80	82	84	86	88	F																																										
	69	71	73	75	77	79	81	83	85	87																																												


 TIMER	<p>Programátorské tlačidlo: Regulácia nastavenia programátora za účelom vypnutia krbu o určenej hodine. Rozsah nastavení od 0,5 do 8 hodín.</p>	<ol style="list-style-type: none"> Stlačte raz: Kontrolka sa zasvieti. Programátor je nastavený na 0,5 hodiny. Stlačte opäť až dokiaľ nezískate požadované nastavenie. Kontrolka ukazuje nastavenie.
 HEATER	<p>Tlačidlo VYKUROVACIEHO TELESA: Zapína a vypína vykurovacie teleso.</p> <p>POZOR: Za účelom prehriatia, ventilátor vykurovacieho telesa bude vháňať chladný vzduch po dobu 10 sekúnd pred zapnutím vykurovacieho telesa a po jeho vypnutí.</p>	<ol style="list-style-type: none"> Stlačte raz. Kontrolka sa zasvieti. Ventilátor vháňa chladný vzduch po dobu 10 sekúnd. Nízka úroveň vykurovacieho telesa sa zapína a vháňa teplý vzduch. Stlačte opäť. Kontrolka svieti. Vysoká úroveň vykurovacieho telesa sa zapína a vháňa teplý vzduch. Stlačte opäť. Vykurovacie teleso sa vypne. Ventilátor vháňa chladný vzduch po dobu 10 sekúnd, pričom umožňuje vychladenie vykurovacieho telesa, následne sa vypne.
 FLAME COLOR	<p>Tlačidlo FARBY: Zmena farby pre efekt plameňa.</p> <p>POZOR: Efekt farby zostáva aktívny do okamihu stlačenia tlačidla napájania. Efekt farby plameňa musí byť zapnutý za účelom spustenia vykurovacieho telesa.</p>	<ol style="list-style-type: none"> Stlačte raz: Zmena farby plameňa. Stlačte opäť dokiaľ nezískate požadované nastavenie. K dispozícii je 6 farieb.
 FLAME BRIGHTNESS	<p>Tlačidlo PLAMEŇA: nastavenie jasú plameňa.</p> <p>POZOR: Efekt plameňa zostáva zapnutý do okamihu stlačenia tlačidla napájanie. Efekt plameňa musí byť zapojený za účelom spustenia vykurovacieho telesa.</p>	<ol style="list-style-type: none"> Stlačte raz: Zmena jasú efektu plameňa. Stlačte opäť dokiaľ nedosiahnete požadované nastavenie.



Obsluha ovládača

TLAČÍTKO	FUNKCE	FUNGOVÁNÍ A SIGNALIZACE
 POWER	<p>ZAP.: Aktivuje funkcie ovládacieho panela a ovládača. Zapína efekt plameňa.</p> <p>VYP.: Blokuje funkcie ovládacieho panela a ovládača. Vypína efekt plameňa.</p>	<ol style="list-style-type: none"> Stlačte raz: Kontrolka sa zasvieti. Zapojenie napájania. Všetky funkcie sú aktívne. Stlačte opäť: Efekt plameňa je vypnutý. Zariadenie je v režime čakania. Všetky funkcie sú neaktívne.

 TEMP	<p>1. Stlačte raz: Rozsvieti sa kontrolka.</p> <p>2. Opakujte stlačenie až kým nedosiahnete požadované nastavenie. Displej zobrazuje nastavenie z tabuľky:</p> <table border="1" data-bbox="277 258 1511 428"> <tr> <td>NO</td><td>0</td><td>1</td><td>2</td><td>3</td><td>4</td><td>5</td><td>6</td><td>7</td><td>8</td><td>9</td><td>10</td><td>N</td> </tr> <tr> <td>°C</td><td>20</td><td>21</td><td>22</td><td>23</td><td>24</td><td>25</td><td>26</td><td>27</td><td>28</td><td>29</td><td>30</td><td>C</td> </tr> <tr> <td>°F</td><td>68</td><td>70</td><td>72</td><td>74</td><td>76</td><td>78</td><td>80</td><td>82</td><td>84</td><td>86</td><td>88</td><td>F</td> </tr> <tr> <td></td><td>69</td><td>71</td><td>73</td><td>75</td><td>77</td><td>79</td><td>81</td><td>83</td><td>85</td><td>87</td><td></td><td></td> </tr> </table> <p>POZNÁMKA: Stlačením a podržaním tlačidla na 5 sekúnd sa stupnica zmení z °C na °F a naopak.</p>		NO	0	1	2	3	4	5	6	7	8	9	10	N	°C	20	21	22	23	24	25	26	27	28	29	30	C	°F	68	70	72	74	76	78	80	82	84	86	88	F		69	71	73	75	77	79	81	83	85	87		
NO	0	1	2	3	4	5	6	7	8	9	10	N																																										
°C	20	21	22	23	24	25	26	27	28	29	30	C																																										
°F	68	70	72	74	76	78	80	82	84	86	88	F																																										
	69	71	73	75	77	79	81	83	85	87																																												
 TIMER	<p>Programátorské tlačidlo: Regulácia nastavenia programátora za účelom vypnutia krbu o určenej hodine. Rozsah nastavení od 0,5 do 8 hodín.</p>	<ol style="list-style-type: none"> 1. Stlačte raz: Kontrolka sa zasvieti. Programátor je nastavený na 0,5 hodiny. 2. Stlačte opäť až dokiaľ nezískate požadované nastavenie. Kontrolka ukazuje nastavenie. 																																																				
 SPEED	<p>Rýchlosť efektu: Zmena rýchlosti efektu plameňa. Existujú 3 úrovne rýchlosti: 01 (pomalá), 02 (stredná), 03 (rýchla).</p>	<ol style="list-style-type: none"> 1. Stlačte raz. Rozsvieti sa kontrolka. Bude nasledovať zmena rýchlosti. 2. Opakujte stlačenie až kým nedosiahnete požadované nastavenie. Predvolené 03. 																																																				
 FLAME COLOR	<p>Tlačidlo FARBY: Zmena farby pre efekt plameňa. POZOR: Efekt farby zostáva aktívny do okamihu stlačenia tlačidla napájania. Efekt farby plameňa musí byť zapnutý za účelom spustenia vykurovacieho telesa.</p>	<ol style="list-style-type: none"> 1. Stlačte raz: Zmena farby plameňa. 2. Stlačte opäť dokiaľ nezískate požadované nastavenie. K dispozícii je 6 farieb. 																																																				
 FLAME BRIGHTNESS	<p>Tlačidlo PLAMEŇA: nastavenie jasú plameňa. POZOR: Efekt plameňa zostáva zapnutý do okamihu stlačenia tlačidla napájania. Efekt plameňa musí byť zapojený za účelom spustenia vykurovacieho telesa.</p>	<ol style="list-style-type: none"> 1. Stlačte raz: Zmena jasú efektu plameňa. 2. Stlačte opäť dokiaľ nedosiahnete požadované nastavenie. 																																																				
 EMBER LIGHTS	<p>Tlačidlo podsvietenia polien: Mení sa farba v dolnej časti efektu. POZNÁMKA: Farebný efekt zostane aktívny, kým nestlačíte tlačidlo napájania. POZNÁMKA: Tento krb má funkciu zapamätania si nastavení podsvietenia.</p>	<ol style="list-style-type: none"> 1. Stlačte raz. Zmení sa farba podsvietenia. 2. Opakujte stlačenie až kým nedosiahnete požadované nastavenie. K dispozícii je 10 farieb. 3. Automatický cyklus: Keď stlačíte tlačidlo 11. krát, farba podsvietenia sa bude automaticky meniť (POZNÁMKA: farby sa menia po 15 sekundách). 																																																				

 <p>EMBER BRIGHTNESS</p>	<p>Jas podsvietenia: Zmena jasú podsvietenia.</p> <p>POZNÁMKA: Jas podsvietenia zostane aktívny, kým nestlačíte tlačidlo napájania.</p>	<ol style="list-style-type: none"> 1. Stlačte raz. Zmena jasú podsvietenia. 2. Opakujte stlačenie až kým nedosiahnete požadované nastavenie. K dispozícii je 5 úrovní. <p>Od L1 - L2 - L3 - L4 - L5-L0 (OFF)</p>
--	---	---

POZOR Počas prvého spustenia vykurovacieho telesa sa môže objaviť jemný zápach. Je to normálny jav a nemal by sa opakovať, iba ak vykurovacie teleso nebude používané dlhšiu dobu.

POZOR Za účelom zlepšenia činnosti, **nasmerujte** ovládač na prednú časť krbu. **NEstláčajte tlačidlá príliš rýchle.** Počkajte chvíľku než zariadenie zareaguje na jednotlivé pokyny.

Ovládanie obmedzenia teploty

Ohrievacie teleso je vybavené ovládaním obmedzenia teploty. V prípade dosiahnutia nebezpečne vysokej teploty, sa vykurovacie teleso vypne. Za účelom navrátenia práce:

1. Vytiahnite napájací kábel zo zásuvky.
2. Prepnite prepínač ON/OFF na OVLÁDACOM PANELI na OFF. **Počkajte 5 minút.**
3. Skontrolujte či ventilačné mriežky krbu nie sú zakryté alebo upchaté prachom. V prípade upchania, použite vysávač za účelom ich vyčistenia.
4. S prepínačom nastaveným do polohy OFF, opätovne zapojte napájací kábel do zásuvky.
5. Pokiaľ problém nezmizne, zverte kontrolu zásuvky a kabeláže špecialistovi.

Informácie o batériách ovládača

- Diaľkové ovládanie používa jednu batériu CR2025 (súčasť dodávky)



NIKDY nevhazujte batérie do **ohňa**. Konanie nezhodné s touto požiadavkou **môže hroziť výbuchom**. Použité batérie je potrebné vhadzovať do špeciálne označených nádob a odovzdať ich v Stredisku Triedeného Zberu Komunálneho Odpadu.

Čistenie a údržba

Čistenie



Pred zahájením čistenia, údržby alebo prenášania krbu, je potrebné **VŽDY vypínať** vykurovacie teleso a **vypnúť napájací kábel zo zásuvky**. Nedodržanie tejto požiadavky môže mať za následok **vznik ohňa, zasiahnutie elektrickým prúdom alebo poranenie tela**.



NIKDY zariadenie **neponárajte vo vode ani nestriekajte na neho vodu**. Také konanie môže mať za následok **vznik ohňa, zasiahnutie elektrickým prúdom alebo poranenie tela**.

Kovové diely:

- Leštíte suchou handričkou, jemne navlhčenou v čistiacom prípravku na báze citrusových olejčkov.
- **NEpoužívajte** prostriedky na leštenie mosadze alebo domáce čistiace prostriedky, pretože tieto výrobky poškodzujú kovové vykonanie.

Sklenené diely

- Používajte vysokokvalitný prostriedok na umývanie sklenených plôch, rozprašovaný na handričku alebo utierku. Dôkladne vysušte papierovou utierkou alebo nestrapkajúcou handričkou.
- **NIKDY** nepoužívajte brúsne čistiace prostriedky, aerosóly alebo iné výrobky, ktoré môžu poškríbať povrch.

Ventilačné mriežky:

- Odstráňte prach a nečistoty z vykurovacieho telesa a povrchu mriežok prostredníctvom vysávača alebo handričky na prach.

Plastové diely:

- Jemne utrite handričkou, jemne navlhčenou v jemnom roztoku prostriedku na umývanie riadu a teplej vody.
- **NIKDY** nepoužívajte brúsne čistiace prostriedky, aerosóly alebo iné výrobky, ktoré môžu poškríbať povrch.

Údržba



Riziko zasiahnutia prúdom! NEOTVÁRAJTE žiadne panely! Zariadenie neobsahuje diely určené na samostatnú opravu!



Pred zahájením čistenia, údržby alebo prenášania krbu, **VŽDY vypínajte** vykurovacie teleso a **vytiahnite napájací kábel zo zásuvky**. Nedodržanie tejto požiadavky môže mať za následok **vznik ohňa, zasiahnutie elektrickým prúdom alebo poranenie tela**.

Elektrické a pohyblivé diely:

- Motory ventilátorov boli výrobné namazané a nevyžadujú neskoršie namazanie.
- Elektrické diely sú integrované v zariadení a nesmú byť samostatne opravované.

Prechovávanie:

- Nepoužívané zariadenie je potrebné prechovávať na čistom, suchom mieste.



UPOZORNENIE! Vnútorne elektrické diely **NIE SÚ URČENÉ** na samostatnú opravu užívateľom.



WEEE:

Likvidácia a recyklácia:

Toto zariadenie nesmiete vyhadzovať s obyčajným, netriedeným komunálnym odpadom. Je potrebné používať špeciálne zberné miesta. Za účelom získania informácií týkajúcich sa dostupných systémov zberu odpadov je potrebné kontaktovať miestne orgány. V prípade likvidácie elektrických zariadení na smetiskách alebo skládkach odpadu môže dôjsť k prieniku nebezpečných látok do podzemných vôd a ich prieniku do potravinového reťazca, čo môže mať negatívny vplyv na zdravie a sebavedomie.

V prípade výmeny starých zariadení za nové má predajca právnu povinnosť prijať staré zariadenie na likvidáciu bez žiadnych doplnkových poplatkov.

Pokyny na prepojenie aplikácií

1. Stiahnite si aplikáciu

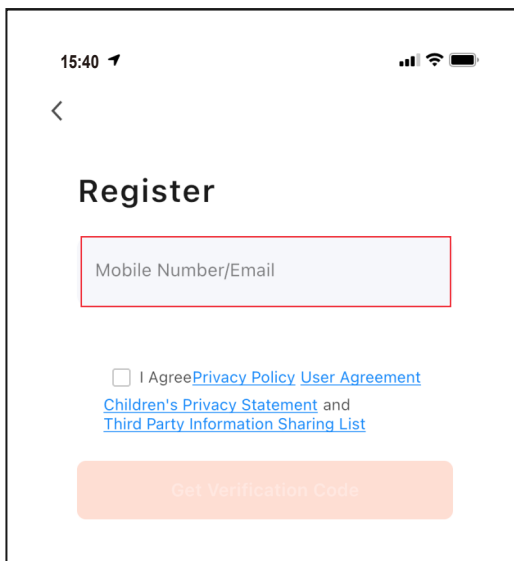
- Stiahnite si "Tuya Smart" z obchodu s aplikáciami.
- Naskenujte QR kód.
- Zapnite na svojom mobilnom zariadení „GPS“.



Poznámka: Uistite sa, že je váš mobilný telefón pripojený k najbližšiemu signálu WIFI.

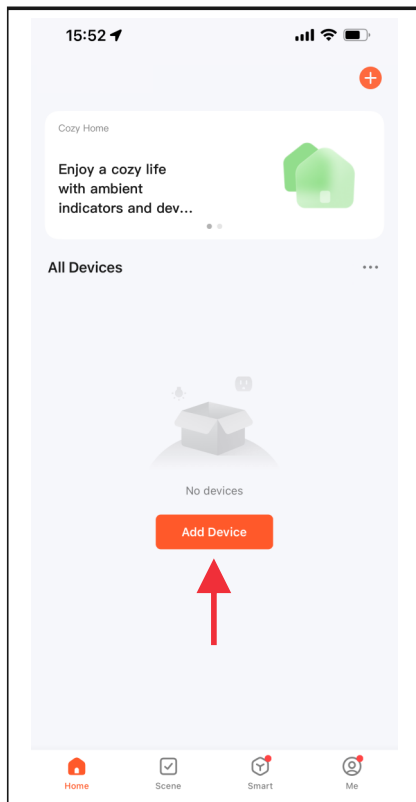
2.. Prihlásiť sa

- Zaregistrujte sa pomocou svojho e-mailu alebo mobilného čísla ako používateľského mena.
- Nastavte si heslo účtu.



3. Pridať zariadenie

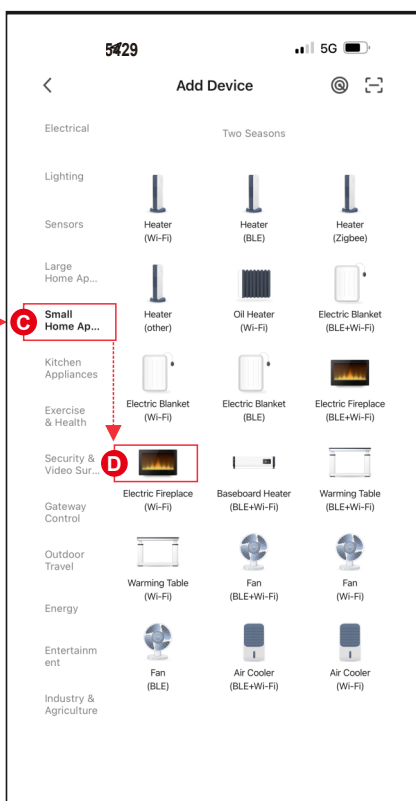
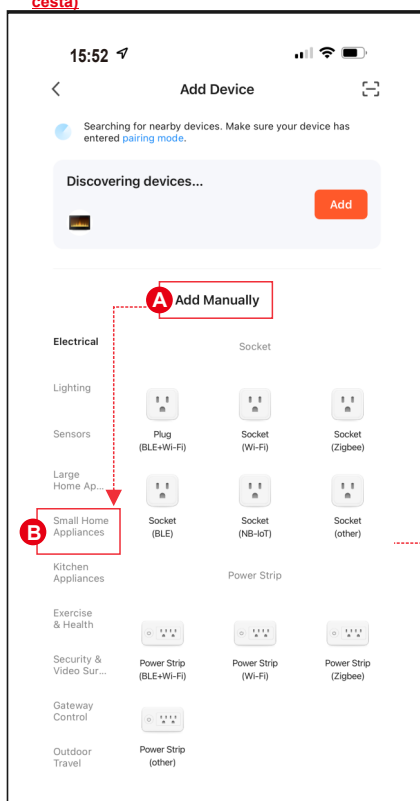
Po vytvorení účtu sa doň prihláste a vyberte tlačidlo „Pridať zariadenie“.




3. Pridať zariadenie – pokračovanie

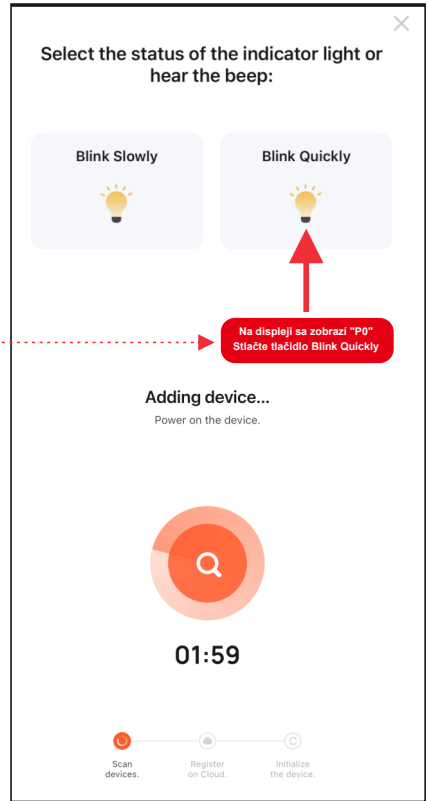
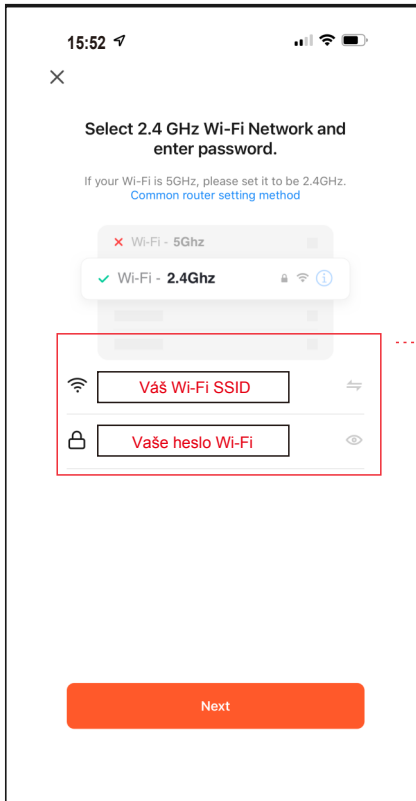
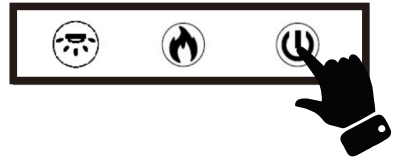
Existujú tri spôsoby prídania elektrického krbu.

- Metóda 1: Pridajte manuálne v režime "P0". Postupujte podľa krokov A, B, C, D nižšie.
- Metóda 2: Pridajte manuálne v režime "P1". Postupujte podľa krokov A, B, C, D nižšie.
- **Metóda 3: Pridanie cez Bluetooth. Pred pridaním zapnite na svojom mobilnom telefóne Bluetooth. (Najlepšia cesta)**




4. Spôsob pripojenia 1 - (P0)

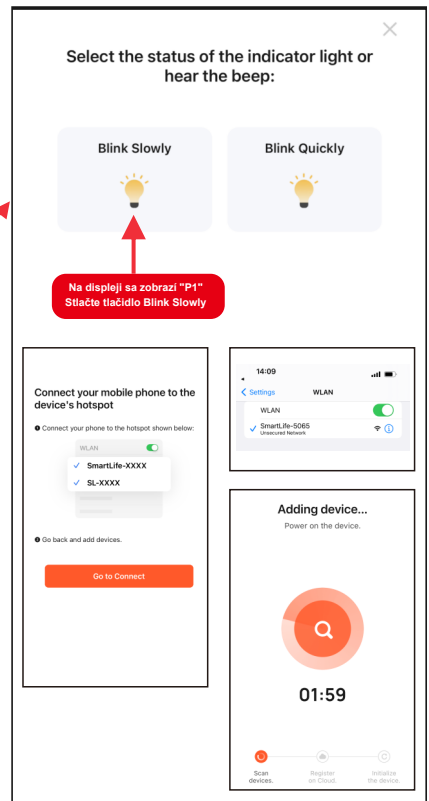
- Stlačte a podržte  na diaľkovom ovládači a z krbu budete počuť „pípnutie“.
- Zadajte názov WIFI a heslo a potom stlačte tlačidlo „Next“ na spárovanie.
- Stlačte tlačidlo **Blink Quickly**, zariadenie sa pridá.



4. Spôsob pripojenia 2 - (P1)


- Stlačte a podržte  na diaľkovom ovládači a z krbu budete počuť „pípnutie“.
- Zadajte názov WIFI a heslo a potom stlačte tlačidlo „Next“ na spárovanie.

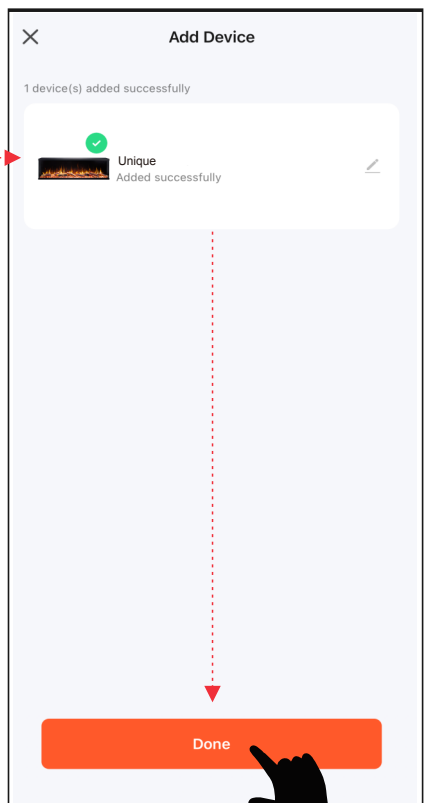
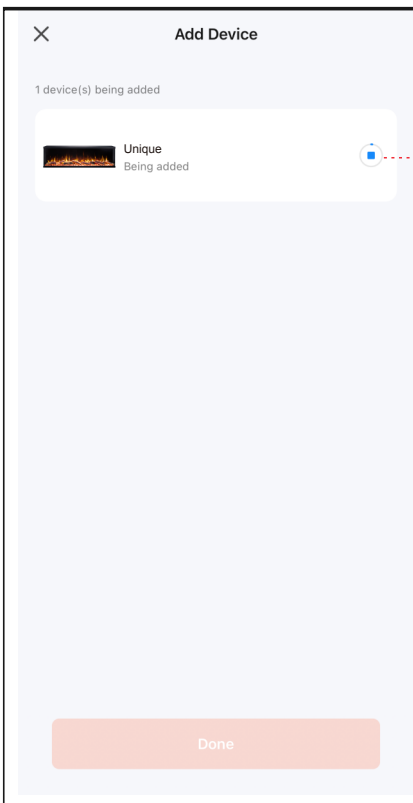
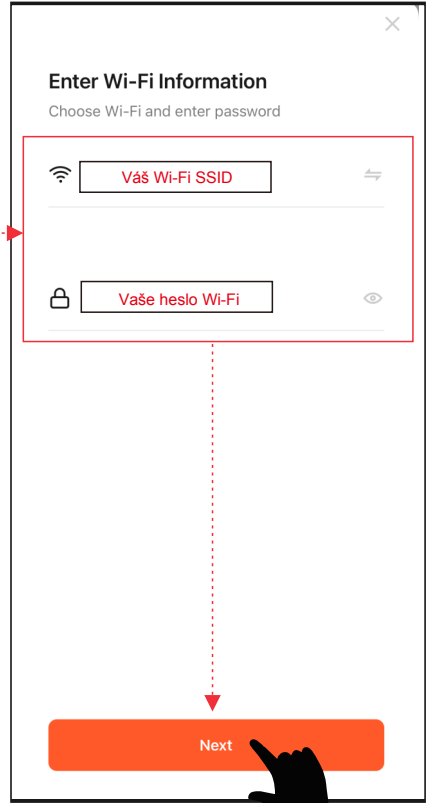
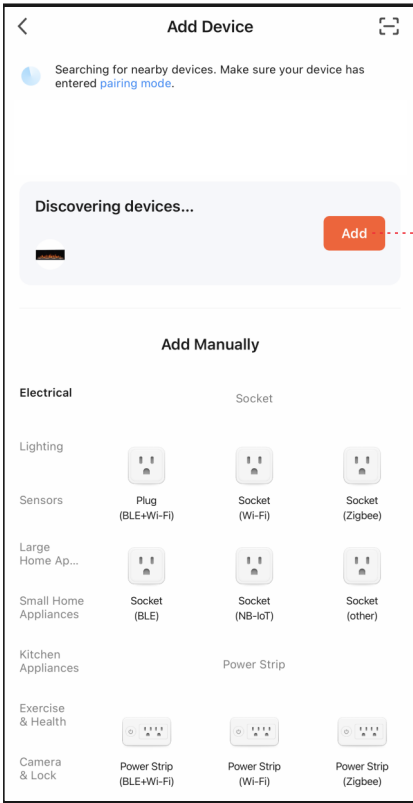
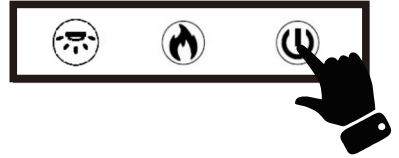
- Stlačte tlačidlo **Blink Slowly**. Potom pokračujte v pripojení mobilného telefónu k hotspotu zariadenia.
- Vyberte hotspot svojho zariadenia (**SmartLife-xxxx**) a potom sa vráťte do svojho zariadenia. Zariadenie sa pridáva.



4. Spôsob pripojenia 3 - (Bluetooth)

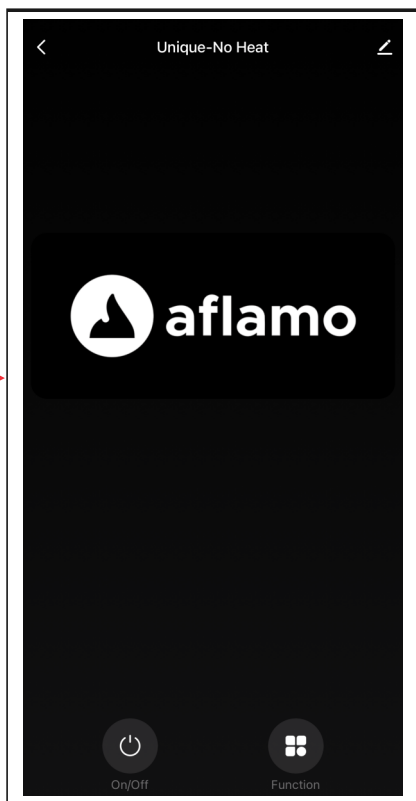
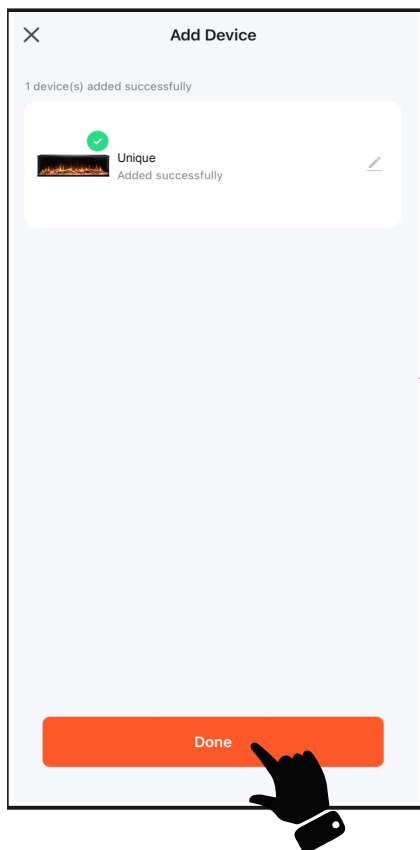


- Stlačte a podržte  na diaľkovom ovládači a z krbu budete počuť „pípnutie“.
- Stlačte **Add**, keď uvidíte zariadenie s názvom „Unique“.
- Zadajte názov WIFI a heslo a potom stlačte tlačidlo „Next“ na spárovanie.

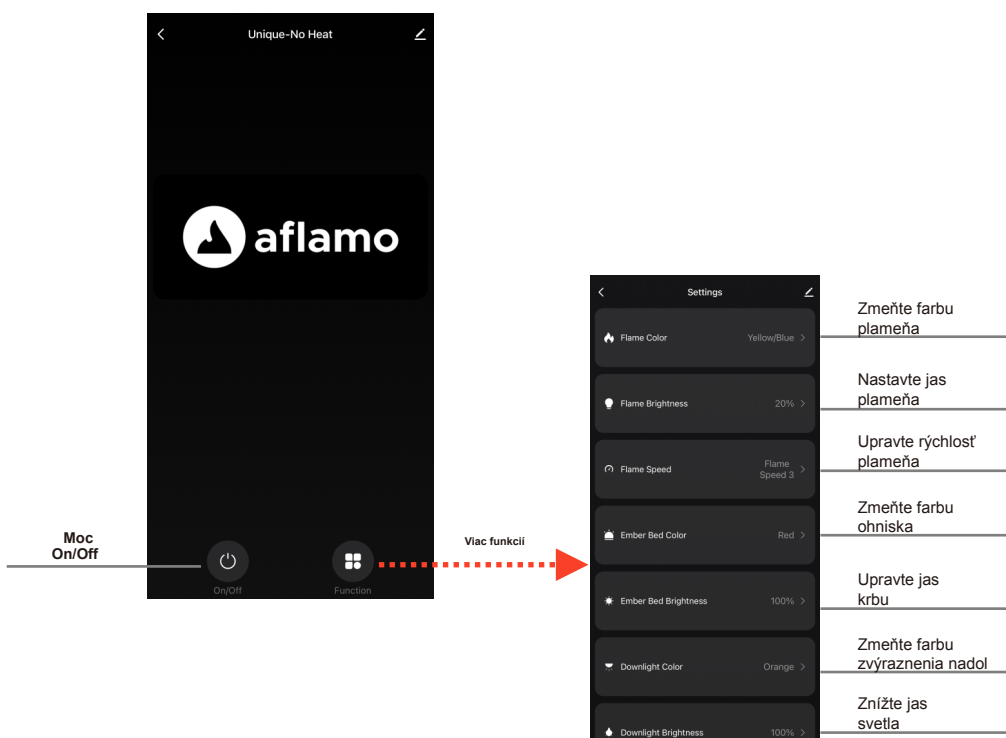


5. Ukončený

- Na dokončenie stlačte **Done**.

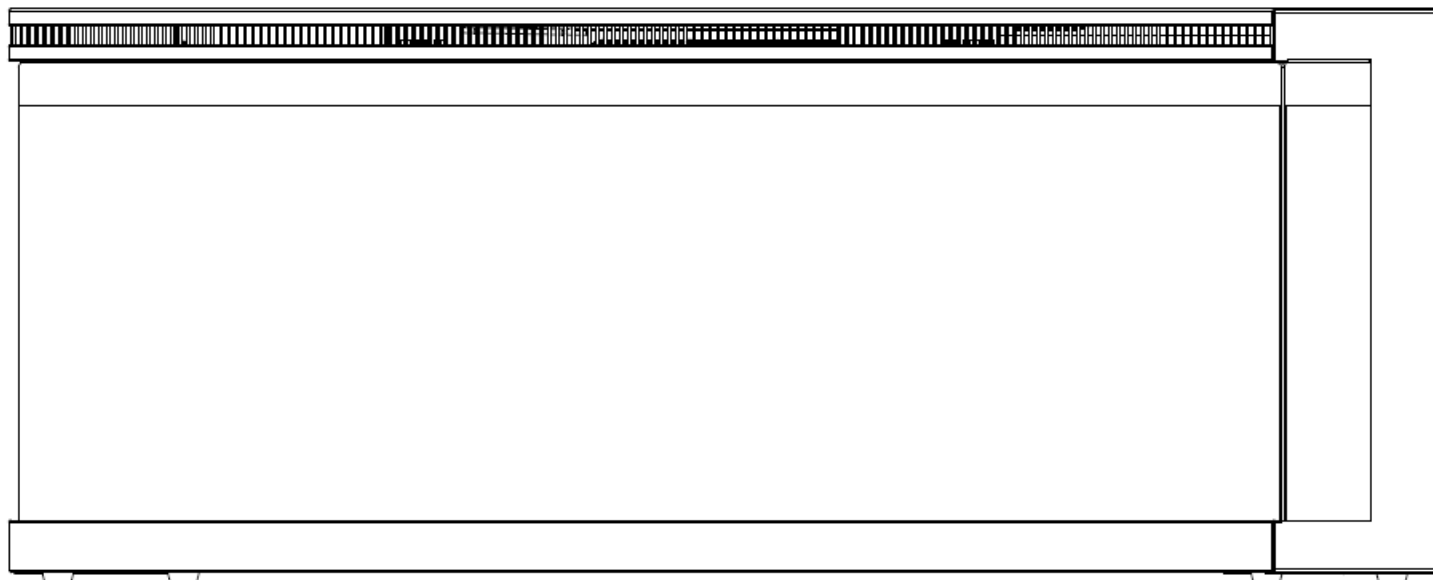


Aplikačný manuál



AFLAMO UNIQUE



GEBRUIKERSHANDLEIDING



UNIQUE 107/127/153/166/183/254

Wandgemonteerde / ingebouwde elektrische open haard

AC 220V-240V 50Hz 1400-1600W

 WAARSC HUWING	Lees en begrijp deze gehele gebruikershandleiding, inclusief alle veiligheidsinformatie , voordat u de stekker in het stopcontact steekt of dit product gebruikt. Als u dit niet doet, kan dit leiden tot brand, elektrische schokken of ernstig persoonlijk letsel .
 VOORZIC HTIGHEID	Bewaar deze gebruikershandleiding voor toekomstig gebruik. Als u dit product verkoopt of weggeeft, zorg er dan voor dat deze handleiding bij dit product wordt geleverd .



BELANGRIJKE VEILIGHEIDSINFORMATIE!

WAARSCHUWING

Bij het gebruik van elektrische apparaten moeten altijd basisvoorzorgsmaatregelen worden gevolgd om het risico op brand, elektrische schokken en persoonlijk letsel te verminderen, waaronder de volgende:

- Lees alle instructies voordat u deze kachel gebruikt.
- Deze heater is heet tijdens gebruik. Raak het hete oppervlak niet aan om verbranding te voorkomen. Gebruik, indien aanwezig, handgrepen bij het verplaatsen van deze kachel. Houd brandbare materialen, zoals meubels, kussens, beddengoed, papieren, kleding en gordijnen ten minste 1 m van de voorkant van de kachel en houd ze uit de buurt van de zijkanten en achterkant. Dek de kachel niet af om oververhitting te voorkomen.
- Uiterste voorzichtigheid is geboden wanneer een kachel in de buurt van kinderen of zieken wordt gebruikt en wanneer de kachel in werking en onbeheerd wordt achtergelaten.
- Haal altijd de stekker uit het stopcontact als de verwarming niet in gebruik is.
- Gebruik geen verwarmers met een beschadigd snoer of stekker of nadat de verwarmers defect is geraakt, op enigerlei wijze beschadigd is gevallen, breng de verwarmers terug naar een geautoriseerde servicefaciliteit voor onderzoek, elektrische of mechanische afstelling of reparatie.
- Alleen voor gebruik binnenshuis, niet buitenshuis gebruiken.
- Deze verwarming is niet bedoeld voor gebruik in badkamers, wasruimtes en soortgelijke binnenlocaties. Plaats de verwarming nooit op een plaats waar deze in een badkuip of een andere watercontainer kan vallen.
- Leid het snoer niet onder vloerbedekking. Bedek het snoer niet met vloerkleden, lopers of soortgelijke bekledingen. Leg het snoer uit de buurt van het verkeersgebied en waar het niet kan omvallen.
- Om de verwarming los te koppelen, zet u de bedieningselementen uit en haalt u de stekker uit het stopcontact.
- Plaats geen vreemde voorwerpen in een ventilatie- of uitlaatopening en laat geen vreemde voorwerpen binnendringen, aangezien dit een elektrische schok of brand kan veroorzaken of de kachel kan beschadigen.
- Om een mogelijke brand te voorkomen, de luchtinlaten of -uitlaat op geen enkele manier blokkeren. Niet gebruiken op zachte oppervlakken, zoals een bed, waar veel openingen verstopt raken.
- Een kachel heeft hete en vonkende of vonkende onderdelen aan de binnenkant. Gebruik het niet op plaatsen waar benzine of ontvlambare vloeistoffen worden gebruikt of opgeslagen.
- Gebruik deze kachel alleen zoals beschreven in deze handleiding. Elk ander gebruik dat niet door de fabrikant wordt aanbevolen, kan brand, elektrische schokken of persoonlijk letsel veroorzaken.
- GEVAAR-HOGE Temperaturen kunnen worden gegenereerd onder bepaalde abnormale omstandigheden. Bedek of blokkeer de voorkant van deze kachel niet gedeeltelijk of volledig.
- Vervanging van de lampen mag alleen worden gedaan als de verwarming is losgekoppeld van het voedingscircuit.
- Dit apparaat is niet bedoeld voor gebruik door personen (inclusief kinderen) met verminderde fysieke, zintuiglijke of capaciteiten, of een gebrek aan ervaring en kennis, tenzij ze onder toezicht staan of instructies hebben gekregen over het gebruik van het apparaat door een persoon die verantwoordelijk is voor hun veiligheid. Kinderen moeten onder toezicht staan om ervoor te zorgen dat ze niet met het apparaat spelen.
- LET OP: Om gevaar door onbedoeld resetten van de thermische beveiliging te voorkomen, mag dit apparaat niet worden gevoed via een extern schakelapparaat, zoals een timer, of worden aangesloten op een circuit dat regelmatig wordt in- en uitgeschakeld door de nutsvoorziening.

Vorbereitung

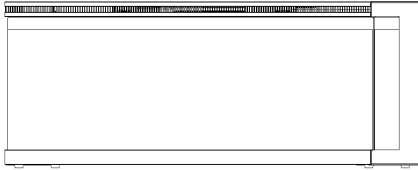




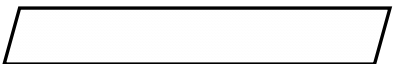

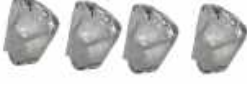


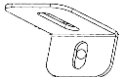


Dit product bevat een **GLAS paneel!** Wees altijd **uiterst voorzichtig** bij het hanteren van **glas**. Als u dit niet doet, kan dit leiden tot **persoonlijk letsel** of **materiële schade**.

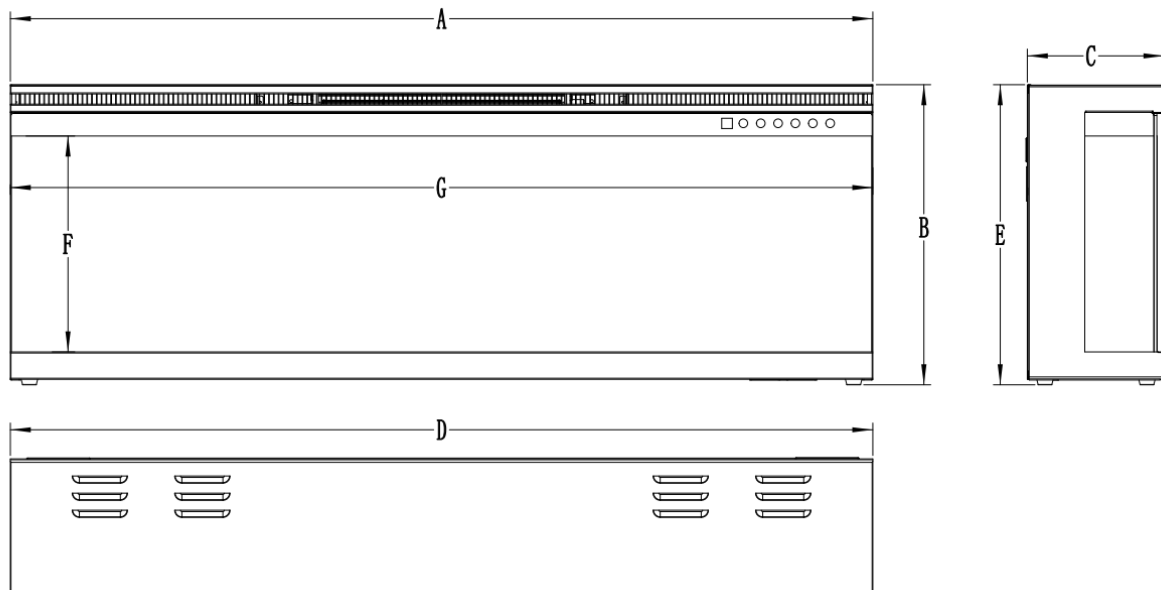
Haal alle onderdelen en hardware uit de doos en plaats ze op een schoon, zacht en droog oppervlak. Onderdelen en montagestappen zijn gegroepeerd voor gebruik aan de muur of inbouw. Controleer de onderdelenlijst om er zeker van te zijn dat er niets ontbreekt. Gooi verpakkingsmateriaal op de juiste manier weg. Gelieve te recylen waar mogelijk.

Je hebt het volgende gereedschap nodig (niet meegeleverd): kruiskopschroevendraaier; stud vinder; niveau; rolmaat; elektrische boor; 1/4 "houtboor, hamer.

Onderdelen en Hardware

 <p>A – Haard</p>				
	<p>B-Houtschroeven</p>		<p>C- Gipsplaten ankers</p>	
				
	<p>D-Afstandsbediening</p>	<p>E-Ember bed strip</p>		
				
<p>F - Driftlogboeken</p>	<p>G-Decoratieve kristallen - groot</p>	<p>H-Decoratieve Kristallen -Klein</p>	<p>I-Muurbeugel Vast op de achterkant van de vuurkist</p>	
			<p>J- "L" haakje</p>	

Specificatie en Afmeting:



PRODUCTAFMETINGEN (mm)

Modelnummer	A	B	C	D	E	F	G
UNIQUE 107	1067	440	200	1067	440	316	1065
UNIQUE 127	1262	440	200	1262	440	316	1260
UNIQUE 153	1524	440	200	1524	440	316	1522
UNIQUE 166	1650	440	200	1650	440	316	1648
UNIQUE 183	1828	440	200	1828	440	316	1826
UNIQUE 254	2540	440	200	2540	440	316	2538

Installatie en montage

Uw apparaat is een aan de wand gemonteerd, inbouw geplaatst apparaat. Kies een geschikte locatie die niet gevoelig is voor vocht en uit de buurt van gordijnen, meubels en drukbezochte plaatsen.

OPMERKING: Volg alle nationale en lokale elektriciteitsvoorschriften.

MINIMALE RUIMTE BIJ BRANDSTOFFEN

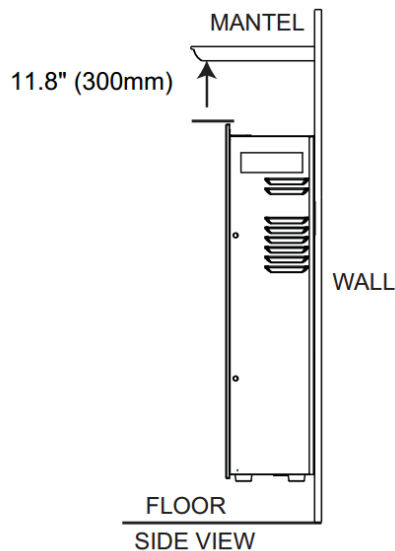
De afmetingen zijn genomen vanaf het glazen front.

Onderkant	0"	Top	8" (300mm) tot mantel
Zijkanten	0"	Top	8" (300mm) tot plafond
Rug	0"		

MINIMALE MANTEL RUIMTE

WAARSCHUWING

BIJ GEBRUIK VAN VERF OF lak OM DE MANTEL AF TE WERKEN, MOET DE VERF OF lak HITTEBESTENDIG ZIJN OM VERKLEURING TE VOORKOMEN.



Installatie met vaste bedrading voor wand

WAARSCHUWING

SCHAKEL HET APPARAAT VOLLEDIG UIT EN LAAT KOELEN ALVORENS ONDERHOUD TE WERKEN. UITSLUITEND EEN GEKwalificeerd ONDERHOUDSPERSONEEL MAG DIT ELEKTRISCHE APPARAAT ONDERHOUDEN EN REPAREREN.

HARDE BEDRADING VERBINDING:

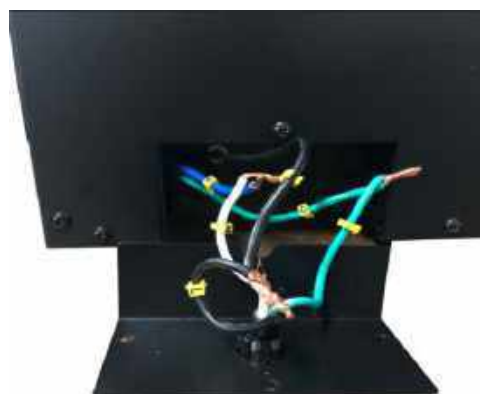
Als het nodig is om dit apparaat vast te bedraden, moet een gekwalificeerde elektricien de kabelverbinding verwijderen en het apparaat rechtstreeks aansluiten op de huishoudelijke bedrading. **OPMERKING: Er is een speciale stroomonderbreker van 15 A (of hoger) vereist.**

Dit apparaat moet elektrisch worden aangesloten en geaard in overeenstemming met de lokale voorschriften, indien vast bedraad. Als er geen lokale codes zijn, gebruik dan de huidige NATIONALE ELEKTRISCHE CODE in Europa.

Fig.A



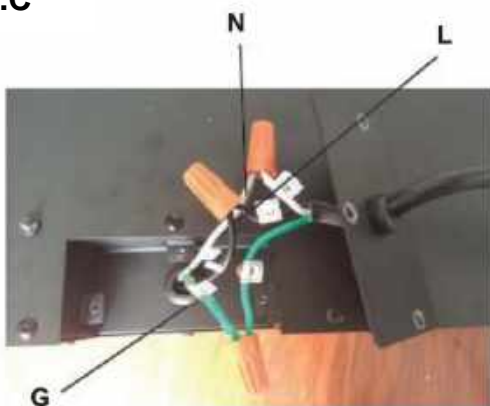
Fig.B



SCHAKEL EERST DE VOEDING VAN DE STROOMONDERBREKER UIT!

- Remove the cover plate from the right side bottom of the appliance by removing the three screws, as shown above. (SEE FIG.A)
- Remove the wire connectors from the power cord. The power cord may be discarded. (zie FIG.B)
- Take the new cover plate supplied in the hardware bag and punch out the 7/8" (22.2mm) hole. And install box connector through hole in cover plate. Feed wires through box connector.
- Using the wire connectors, connect the green ground wires (G), the common white wires (N) together, then the hot black wires (L), (zie FIG.C)
- Re-install the cover plate using the three screws, as shown in FIG.4-1.

Fig.C



7/8" (22.2mm)
Diameter



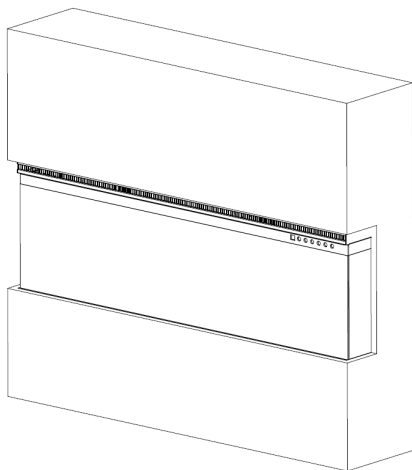
Box connector



Afdekkplaat

Installatie overzicht

Uw toestel maakt drie verschillende installatieconfiguraties mogelijk: driezijdig, tweezijdig en enkelzijdig.

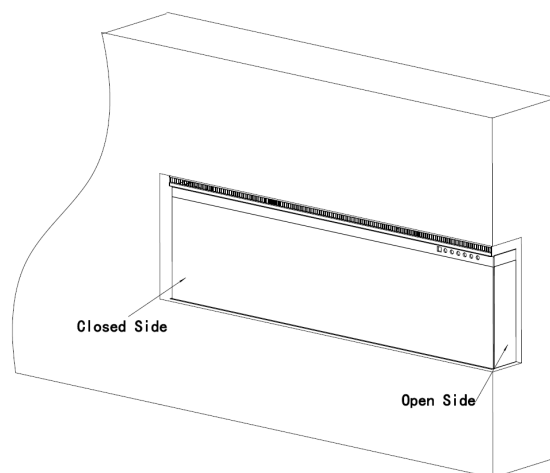


Driezijdige installatie

- Glas zichtbaar aan de voorkant, links EN rechts.
- Het apparaat is volledig verzonken in de muur met beide zijden open.

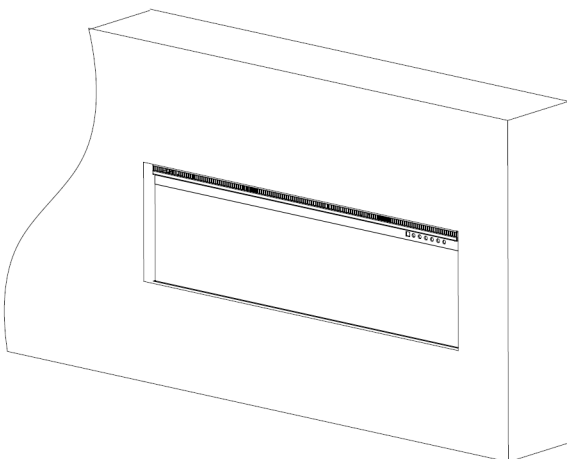
Tweezijdige installatie

- Glas zichtbaar aan de voorkant EN links OF rechts.
- Het apparaat is volledig verzonken in de muur met een zijde open.



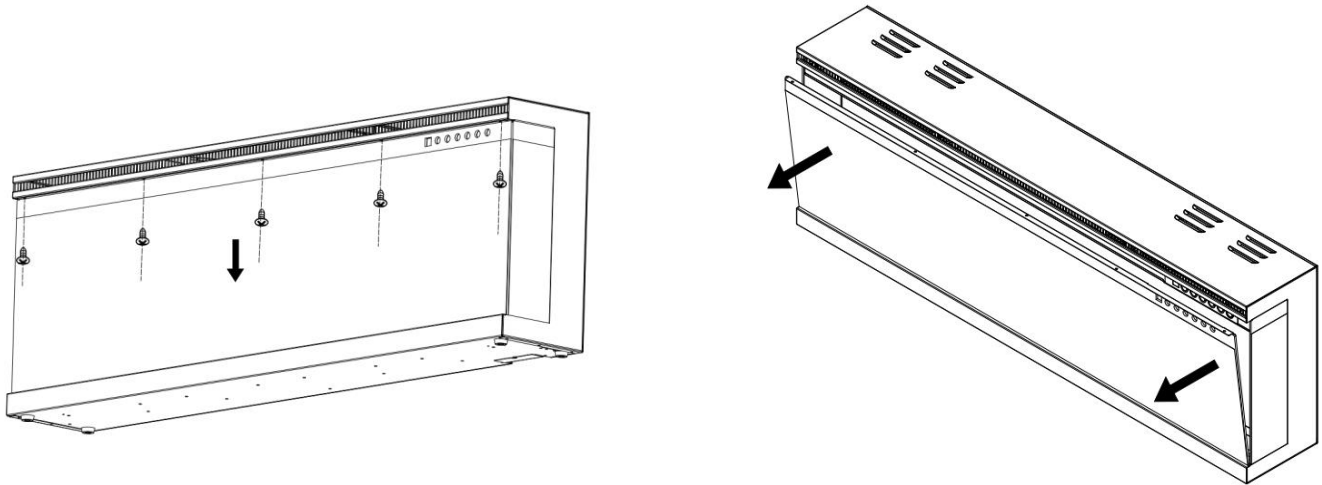
Enkelzijdige installatie

- ALLEEN glas zichtbaar aan de voorkant.
- Toestel is volledig verzonken in de muur.

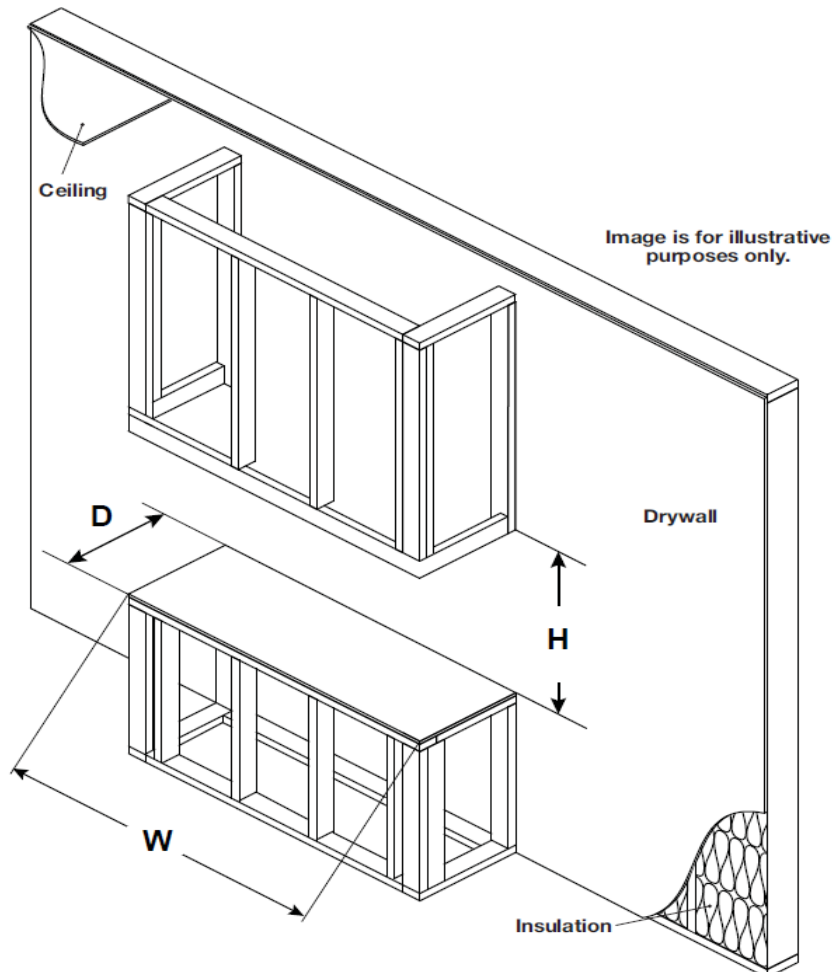


Installatie / verwijdering van voorruit

- Verwijder alle schroeven vanaf de bovenkant van het glaspaneel.
- Kantel het voorste glas naar voren en laat twee mensen het glaspaneel eruit halen.
- Voer deze stappen in omgekeerde volgorde uit om de voorruit opnieuw te installeren.



Installatie/ruwe framing



OPMERKING: Installeer de haard zo dat deze bij een storing voor servicedoeleinden van de muur kan worden verwijderd.

Modelnummer	W	D	H
UNIQUE 107	1067 (mm)	210 (mm)	443 (mm)
UNIQUE 127	1262 (mm)	210 (mm)	443 (mm)
UNIQUE 153	1524 (mm)	210 (mm)	443 (mm)
UNIQUE 166	1650 (mm)	210 (mm)	443 (mm)
UNIQUE 183	1828 (mm)	210 (mm)	443 (mm)
UNIQUE 254	2540 (mm)	210 (mm)	443 (mm)

Opmerking:

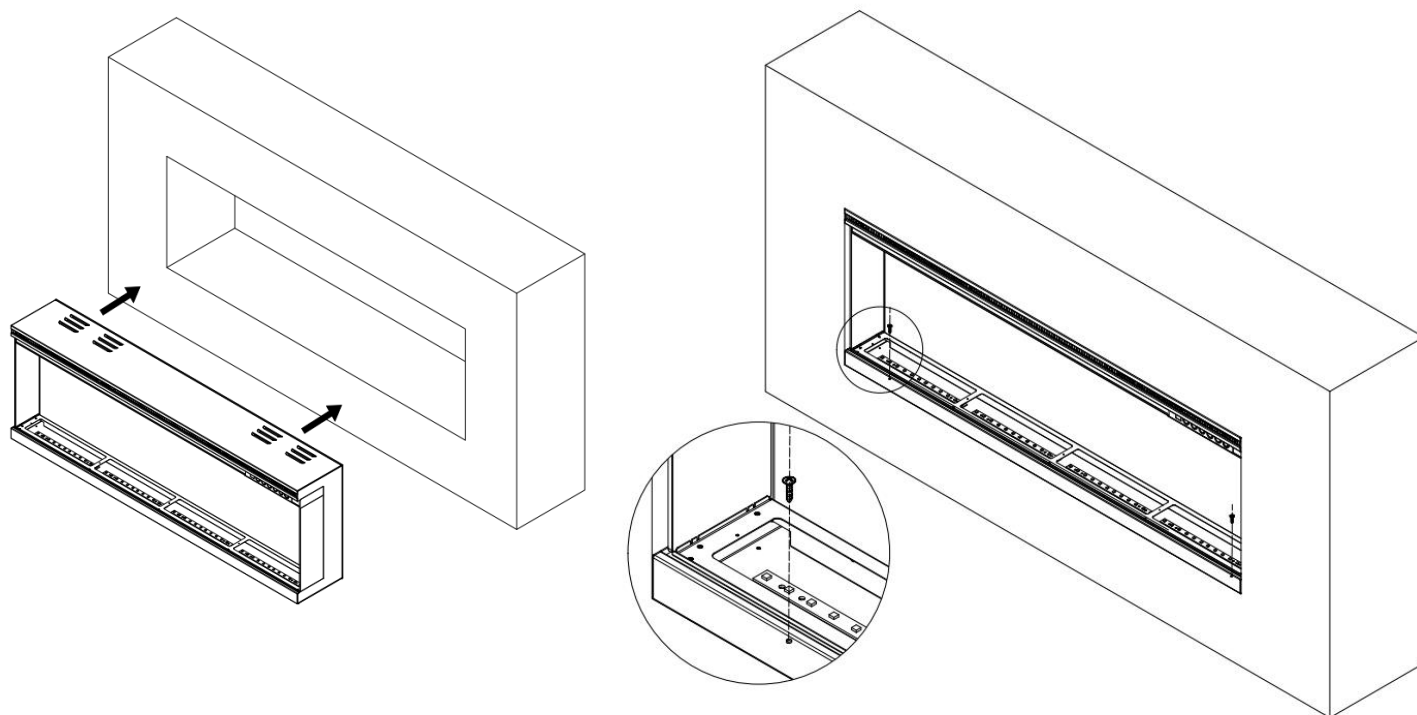
Het apparaat is NIET dragend. Houd zorgvuldig rekening met het gewicht van de afwerkingsmaterialen bij het maken van een ruwe omlijsting.

Zorg ervoor dat de installatie voldoet aan alle lokale bouwvoorschriften en vereisten.

Alle weergaveopties (enkelzijdig, dubbelzijdig [links of rechts] en driezijdig) gebruiken dezelfde kaderafmetingen.

Opmerking:

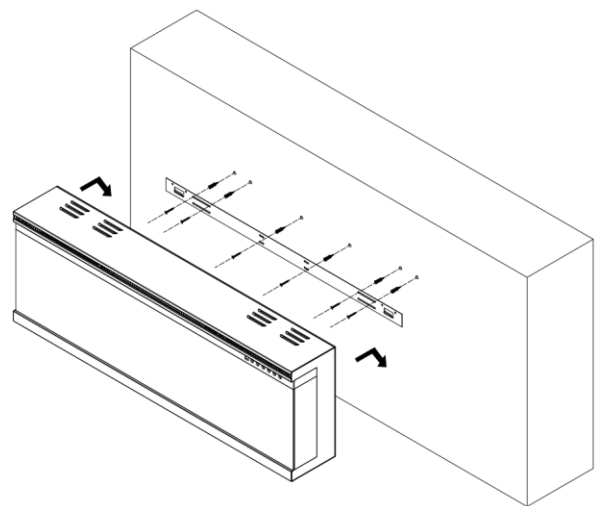
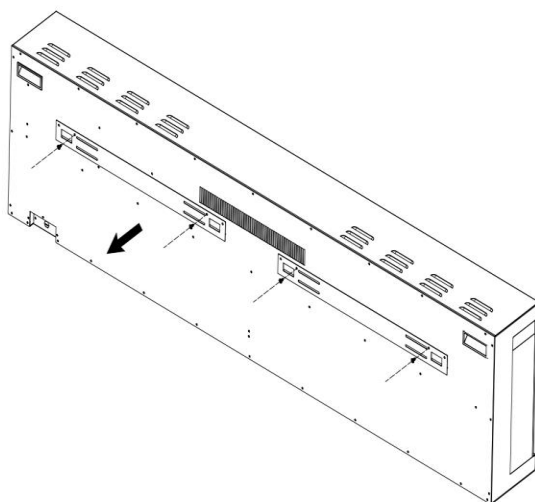
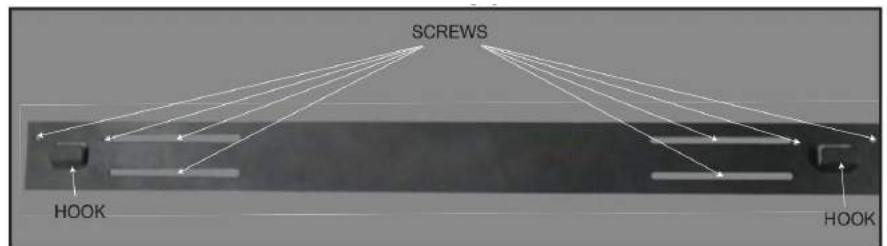
Als de haard volledig verzonken in de muur is geïnstalleerd, bevestigt u de haard met de meegeleverde korte houtschroeven (B) **onder het sintelbed**. zie onderstaande afbeelding:



Aan de muur gemonteerde installatie

Vanwege de vele verschillende materialen die op verschillende muren worden gebruikt, wordt het ten zeerste aanbevolen om uw plaatselijke bouwer te raadplegen voordat u dit apparaat aan de muur installeert.

- A.** Kies een locatie die niet gevoelig is voor vocht en op een afstand van minimaal 914 mm van brandbare materialen zoals gordijngordijnen, meubels, beddengoed, papier, enz.
- B.** Laat het apparaat door twee personen tegen de muur houden om de uiteindelijke locatie te bepalen.
- C.** Plaats het apparaat met de voorkant naar beneden op een zacht, niet schurend oppervlak. Verwijder de beugel van de achterkant van het apparaat door de schroeven te verwijderen, zie Afbeelding 1.
- D.** Markeer de locatie en monteer vervolgens de beugel(s) aan de muur met de meegeleverde schroeven. Deze beugel **MOET** de haken naar boven hebben gericht en waterpas zijn. **OPMERKING: Het wordt sterk aanbevolen dat de montagebeugel (E) waar mogelijk in de muurstijlen worden geschroefd. Als de muurstijlen niet kunnen worden gebruikt, zorg er dan voor dat de meegeleverde plastic ankers worden gebruikt om de beugel aan de muur te bevestigen en dat de beugel goed vastzit.**
- E.** Als de wandmontagebeugel is geïnstalleerd, moet u het apparaat door twee personen optillen en de twee haken op de beugel in de twee sleuven aan de achterkant van het apparaat steken.
- F.** Controleer het apparaat op stabiliteit en zorg ervoor dat de beugel niet loskomt van de muur.



UNIQUE 183 Muurbeugel geïllustreerd

"L"-vormige beugelinstallatie

A. Verwijder de zilveren schroef aan de onderkant van het apparaat. (Afb. 1-1).
Leg de schroef opzij.

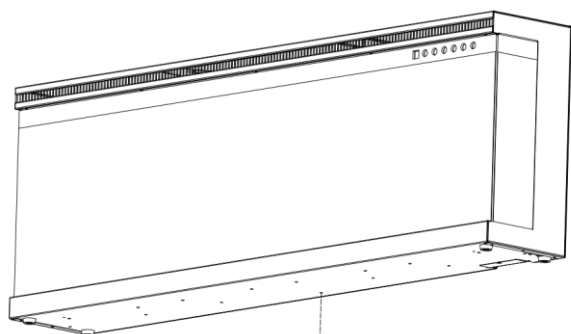


Fig 1-1

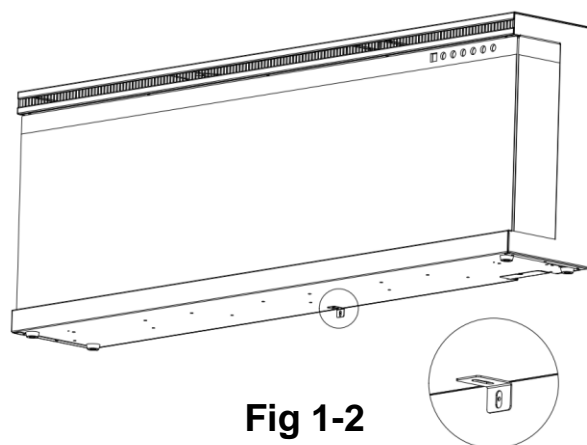


Fig 1-2

B. Bevestig met de eerder verwijderde schroef de L-beugel (J) aan de onderkant van de haard. (Fig 1-2)

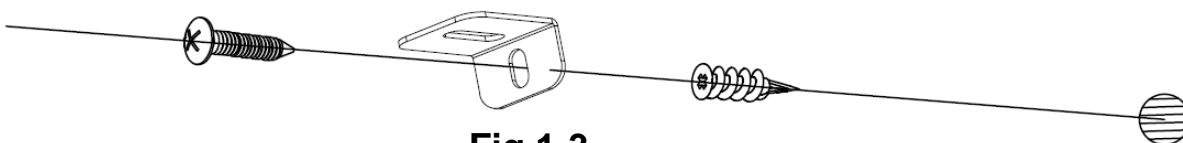


Fig 1-3

C. Installeer het plastic anker (C) in de droge muur en installeer vervolgens de langere schroef (B) (meegeleverd) in het gat van de L-beugel in het muuranker om te voorkomen dat de haard van de muur loskomt. (Fig. 1 -3)

Log-set / Kristallen Installatie

(OPMERKING: maak de installatie volgens de sintels die u leuk vindt.)

A. De glazen voorkant moet worden verwijderd en het apparaat moet op de definitieve locatie worden gemonteerd voordat de embermedia worden geïnstalleerd.

B. Leg de ember-bed strip (**E**) op zijn plaats met het matte oppervlak naar boven gericht. Plaats de kleine kristallen sintels (**H**) voorzichtig in de onderste lade aan de voorkant van het apparaat, zoals afgebeeld. Breng een gelijkmatige laag aan van links naar rechts. **Afb. 2-1, Afb. 2-2**

C. Plaats willekeurig de grote kristallen sintels (**G**) bovenop de kleine kristallen sintels. **Afb. 2-3.**



Figuur 2-1.



Figuur 2-2.



Figuur 2-3.

Optionele eendelige Log-set installatie

Plaats de houtstammenset (**F**) voorzichtig in de daarvoor bestemde embergleuf **Fig.3**



Log-set (Figuur 3.)

Operatie



Lees en begrijp deze gehele gebruikershandleiding, inclusief **alle veiligheidsinformatie**, voordat u de stekker in het stopcontact steekt of dit product **gebruikt**. Als u dit niet doet, kan dit leiden tot **elektrische schokken, brand, ernstig letsel of de dood**.

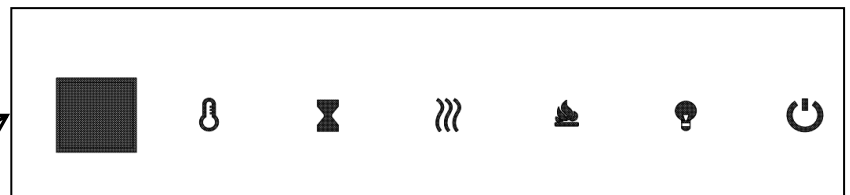
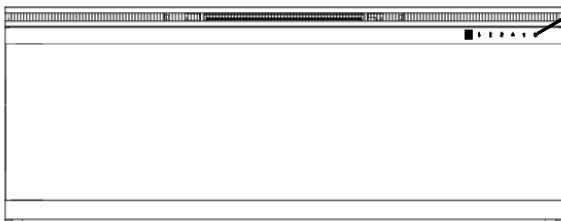
Stroom

Steek de stekker van het netsnoer in een stopcontact van 220-240 volt (zie **BELANGRIJKE VEILIGHEIDSINFORMATIE** op **pagina's 2 en 3**). Zorg ervoor dat het stopcontact in goede staat is en dat de stekker niet los zit. Overschrijd **NOOIT** de maximale stroomsterkte voor het circuit. Sluit **GEEN** andere apparaten aan op hetzelfde circuit.

Werkwijzen

Deze elektrische haard kan worden bediend via het TOUCH ON CONTROL PANEL of via de batterijgevoede AFSTANDSBEDIENING.

Lees voor gebruik de **BELANGRIJKE VEILIGHEIDSINFORMATIE** op **pagina's 2 en 3** en neem alle waarschuwingen in acht.



Aanraakpaneel


Bediening via touchscreen







KNOP	FUNCTIE	ACTIE en INDICATIE																																																				
 POWER	AAN: Schakelt de functies van het bedieningspaneel en de afstandsbediening in. Schakelt het vlammeffect in. UIT: Schakelt de functies van het bedieningspaneel en de afstandsbediening uit. Schakelt het vlammeffect uit.	<ol style="list-style-type: none"> Druk eenmaal op. Indicatielampje gaat aan. De stroom wordt ingeschakeld. Alle functies ingeschakeld. Druk nogmaals op. Vlammeffect wordt uitgeschakeld. Apparaat gaat naar stand-by. Alle functies worden uitgeschakeld. 																																																				
 TEMP	<ol style="list-style-type: none"> Eén keer drukken: De indicator van het aanraakscherm wordt actief. Druk nogmaals totdat de gewenste instelling is bereikt. Digitale display toont instellingscirkels zoals hieronder. <table border="1" style="width: 100%; text-align: center;"> <thead> <tr> <th>NO</th> <th>0</th> <th>1</th> <th>2</th> <th>3</th> <th>4</th> <th>5</th> <th>6</th> <th>7</th> <th>8</th> <th>9</th> <th>10</th> <th>N</th> </tr> </thead> <tbody> <tr> <td>°C</td> <td>20</td> <td>21</td> <td>22</td> <td>23</td> <td>24</td> <td>25</td> <td>26</td> <td>27</td> <td>28</td> <td>29</td> <td>30</td> <td>C</td> </tr> <tr> <td>°F</td> <td>68</td> <td>70</td> <td>72</td> <td>74</td> <td>76</td> <td>78</td> <td>80</td> <td>82</td> <td>84</td> <td>86</td> <td>88</td> <td>F</td> </tr> <tr> <td></td> <td>69</td> <td>71</td> <td>73</td> <td>75</td> <td>77</td> <td>79</td> <td>81</td> <td>83</td> <td>85</td> <td>87</td> <td></td> <td></td> </tr> </tbody> </table> <p>OPMERKING: Druk 5 seconden op de knop om te schakelen tussen °C en °F</p>		NO	0	1	2	3	4	5	6	7	8	9	10	N	°C	20	21	22	23	24	25	26	27	28	29	30	C	°F	68	70	72	74	76	78	80	82	84	86	88	F		69	71	73	75	77	79	81	83	85	87		
NO	0	1	2	3	4	5	6	7	8	9	10	N																																										
°C	20	21	22	23	24	25	26	27	28	29	30	C																																										
°F	68	70	72	74	76	78	80	82	84	86	88	F																																										
	69	71	73	75	77	79	81	83	85	87																																												


 TIMER	<p>TIMER-knop: Regelt de timerinstellingen om de haard op het geselecteerde tijdstip uit te schakelen.</p> <p>Instellingen variëren van 0,5 uur tot 8 uur.</p>	<ol style="list-style-type: none"> 1. Druk eenmaal op. Indicatielampje gaat aan. Timer is ingesteld op 0,5 uur. 2. Druk nogmaals totdat de gewenste instelling is bereikt. Indicatielampjes geven de instelling aan.
 HEATER	<p>HEATER-knop: Zet de verwarming aan en uit.</p> <p>OPMERKING: Om oververhitting te voorkomen, blaast de verwarmingsventilator 8-10 seconden koele lucht voordat de verwarming wordt ingeschakeld en nadat de verwarming is uitgeschakeld.</p>	<ol style="list-style-type: none"> 1. Druk eenmaal op. Indicator licht op. Ventilator blaast 10 seconden koele lucht. 750W kachel gaat aan en blaast warme lucht. 2. Druk nogmaals op. Indicator licht op. 1500W kachel gaat aan en blaast warme lucht 3. Druk nogmaals op. Verwarmingen gaan uit. De ventilator blaast 10 seconden koele lucht om de verwarming af te laten koelen en schakelt dan uit.
 FLAME COLOR	<p>Vlamkleurknop: Laat het kleurvlameffect veranderen.</p> <p>OPMERKING: het kleureffect blijft aan totdat de aan/uit-knop wordt uitgeschakeld. Het kleurvlameffect moet zijn ingeschakeld om de verwarming in te schakelen.</p> <p>LET OP: deze haard heeft een geheugenfunctie voor vlammen.</p>	<ol style="list-style-type: none"> 1. Druk eenmaal op. Vlamkleureffect verandert. 2. Druk nogmaals totdat de gewenste instelling is bereikt. In totaal 6 kleuren voor vlam.
 FLAME BRIGHTNESS	<p>VLAM-knop: Maakt het vlameffect zwakker en helderder.</p> <p>OPMERKING: Het vlameffect blijft aan totdat de aan/uit-knop wordt uitgeschakeld. Het vlameffect moet zijn ingeschakeld om de verwarming in te schakelen.</p>	<ol style="list-style-type: none"> 1. Druk eenmaal op. Indicatielampje gaat aan. Vlamhelderheidseffect verandert. 2. Druk nogmaals op. totdat de gewenste instelling is bereikt.



Bediening op afstand

KNOP	FUNCTIE	ACTIE en INDICATIE
 POWER	<p>AAN: Schakelt de functies van het bedieningspaneel en de afstandsbediening in. Schakelt het vlameffect in.</p> <p>UIT: Schakelt de functies van het bedieningspaneel en de afstandsbediening uit. Schakelt het vlameffect uit.</p>	<ol style="list-style-type: none"> 1. Druk eenmaal op. Indicatielampje gaat aan. De stroom wordt ingeschakeld. Alle functies ingeschakeld. 2. Druk nogmaals op. Vlameffect wordt uitgeschakeld. Apparaat gaat naar stand-by. Alle functies worden uitgeschakeld.

 TEMP	<p>1. Eén keer drukken: De indicator van het aanraakscherm wordt actief.</p> <p>2. Druk nogmaals totdat de gewenste instelling is bereikt. Digitale display toont instellingscirkels zoals hieronder.</p> <table border="1" data-bbox="272 275 1503 443"> <thead> <tr> <th>NO</th> <th>0</th> <th>1</th> <th>2</th> <th>3</th> <th>4</th> <th>5</th> <th>6</th> <th>7</th> <th>8</th> <th>9</th> <th>10</th> <th>N</th> </tr> </thead> <tbody> <tr> <td>°C</td> <td>20</td> <td>21</td> <td>22</td> <td>23</td> <td>24</td> <td>25</td> <td>26</td> <td>27</td> <td>28</td> <td>29</td> <td>30</td> <td>C</td> </tr> <tr> <td>°F</td> <td>68</td> <td>70</td> <td>72</td> <td>74</td> <td>76</td> <td>78</td> <td>80</td> <td>82</td> <td>84</td> <td>86</td> <td>88</td> <td>F</td> </tr> <tr> <td></td> <td>69</td> <td>71</td> <td>73</td> <td>75</td> <td>77</td> <td>79</td> <td>81</td> <td>83</td> <td>85</td> <td>87</td> <td></td> <td></td> </tr> </tbody> </table> <p>OPMERKING: Druk 5 seconden op de knop om te schakelen tussen °C en °F</p>		NO	0	1	2	3	4	5	6	7	8	9	10	N	°C	20	21	22	23	24	25	26	27	28	29	30	C	°F	68	70	72	74	76	78	80	82	84	86	88	F		69	71	73	75	77	79	81	83	85	87		
NO	0	1	2	3	4	5	6	7	8	9	10	N																																										
°C	20	21	22	23	24	25	26	27	28	29	30	C																																										
°F	68	70	72	74	76	78	80	82	84	86	88	F																																										
	69	71	73	75	77	79	81	83	85	87																																												
 TIMER	<p>TIMER-knop: Regelt de timerinstellingen om de haard op het geselecteerde tijdstip uit te schakelen.</p> <p>Instellingen variëren van 0,5 uur tot 8 uur.</p>	<ol style="list-style-type: none"> 1. Druk eenmaal op. Indicatielampje gaat aan. Timer is ingesteld op 0,5 uur. 2. Druk nogmaals totdat de gewenste instelling is bereikt. Indicatielampjes geven de instelling aan. 																																																				
 SPEED	<p>Vlamsnelheidsknop: Regelt de snelheid van de vlam. Er zijn 3 vlamsnelheidsinstellingen: 01 (langzaamste), 02 (gemiddeld), 03 (snelste).</p>	<ol style="list-style-type: none"> 1. Druk eenmaal op. De vlamsnelheid verandert. 2. Druk nogmaals totdat de gewenste instelling is bereikt. Display toont de instelling. De standaardinstelling is 03 (hoogste snelheid) 																																																				
 FLAME COLOR	<p>Vlamkleurknop: Laat het kleurvlameffect veranderen.</p> <p>OPMERKING: het kleureffect blijft aan totdat de aan/uit-knop wordt uitgeschakeld. Het kleurvlameffect moet zijn ingeschakeld om de verwarming in te schakelen.</p> <p>LET OP: deze haard heeft een geheugenfunctie voor vlammen.</p>	<ol style="list-style-type: none"> 3. Druk eenmaal op. Vlamkleureffect verandert. 4. Druk nogmaals totdat de gewenste instelling is bereikt. In totaal 6 kleuren voor vlam. 																																																				
 FLAME BRIGHTNESS	<p>VLAM-knop: Maakt het vlameffect zwakker en helderder.</p> <p>OPMERKING: Het vlameffect blijft aan totdat de aan/uit-knop wordt uitgeschakeld. Het vlameffect moet zijn ingeschakeld om de verwarming in te schakelen.</p>	<ol style="list-style-type: none"> 3. Druk eenmaal op. Indicatielampje gaat aan. Vlamhelderheidseffect verandert. 4. Druk nogmaals op. totdat de gewenste instelling is bereikt. 																																																				
 EMBER LIGHTS	<p>LED Ember-lichtknop: zorgt ervoor dat de kleur aan de onderkant verandert.</p> <p>OPMERKING: Het Ember-kleureffect blijft aan totdat de aan/uit-knop wordt uitgeschakeld.</p> <p>LET OP: deze haard is voorzien van geheugenfunctie voor LED ember lampjes.</p>	<ol style="list-style-type: none"> 1. Druk eenmaal op. LED ember licht kleureffect verandert. 2. Druk nogmaals totdat de gewenste instelling is bereikt. In totaal 10 kleuren voor EMBER. 3. Auto-cycle-functie: wanneer u voor de 11e keer op drukt, zal het LED-emberlicht automatisch fietsen (OPMERKING: het duurt 15 seconden om tussen kleuren te schakelen.) 																																																				

 <p>EMBER BRIGHTNESS</p>	<p>Helderheidsknop voor led-emberlicht: laat de led-embERVERLICHTING op het onderste effect veranderen.</p> <p>OPMERKING: Het helderheidseffect van het LED-emberlicht blijft aan totdat de aan/uit-knop wordt uitgeschakeld.</p>	<ol style="list-style-type: none"> 1. Druk eenmaal op. LED ember licht kleureffect verandert. 2. Druk nogmaals totdat de gewenste instelling is bereikt. In totaal 5 niveaus. <p>Van L1 - L2 - L3 - L4 - L5-L0 (OFF)</p>
--	---	---

MERK OP Wanneer de kachel voor het eerst wordt ingeschakeld, kan er een lichte geur aanwezig zijn. Dit is normaal en zou niet meer moeten voorkomen, tenzij de kachel gedurende een lange periode niet wordt gebruikt.

MERK OP Om de werking te verbeteren, richt u de afstandsbediening op de voorkant van de haard. **Druk NIET te snel op de knoppen.** Geef de eenheid de tijd om op elk commando te reageren.


Temperatuurbeperkende regeling

Deze kachel is uitgerust met een temperatuurbegrenzingsregeling. Mocht de kachel een onveilige temperatuur bereiken, dan schakelt de kachel automatisch UIT. Om te resetten:

1. Haal de stekker uit het stopcontact.
2. Zet de AAN/UIT-schakelaar op het BEDIENINGSPANEEL op UIT. **Wacht 5 minuten.**
3. Inspecteer de haard om ervoor te zorgen dat er geen ventilatieopeningen zijn geblokkeerd of verstopt met stof of pluisjes. Als dit het geval is, gebruikt u een stofzuiger om de ventilatieopeningen te reinigen.
4. Met de POWER-schakelaar in de UIT-stand, steek de stekker weer in het stopcontact.
5. Als het probleem zich blijft voordoen, laat u uw stopcontact en bedrading door een professional inspecteren.


Informatie over de batterij van de afstandsbediening


- Afstandsbediening gebruikt één **CR2025**-batterij (**meegeleverd**)

 Gooi batterijen **NOOIT** in het **vuur**. Als u deze voorzorgsmaatregel niet in acht neemt, **kan dit leiden tot een explosie**. Lever batterijen in bij uw plaatselijke centrum voor de verwerking van gevaarlijke stoffen.

Verzorging en onderhoud

Schoonmaak

 Zet de kachel **ALTIJD UIT** en haal de stekker uit het stopcontact voordat u deze haard schoonmaakt, onderhoudt of verplaatst. Als u dit niet doet, kan dit leiden tot **elektrische schokken, brand of persoonlijk letsel**.

 **NOOIT onderdompelen in water of besproeien met water**. Dit kan leiden tot **elektrische schokken, brand of persoonlijk letsel**.

Metaal:

- Polijst met een zachte doek, licht bevochtigd met een product op basis van citrusolie.
- Gebruik **GEEN** koperpoets of huishoudelijke schoonmaakmiddelen, aangezien deze producten de metalen rand beschadigen.

Glas:

- Gebruik een glasreiniger van goede kwaliteit die op de doek of handdoek wordt gespoten. Droog grondig af met een papieren handdoek of een pluisvrije doek.
- Gebruik **NOOIT** schurende reinigingsmiddelen, vloeibare sprays of andere reinigingsmiddelen die krassen op het oppervlak kunnen veroorzaken.

Ventilatieopeningen:

- Gebruik een stofzuiger of stofdoek om stof en vuil van de verwarming en de ventilatiezones te verwijderen.

Plastic:

- Veeg voorzichtig af met een licht vochtige doek en een milde oplossing van afwasmiddel en warm water.
- Gebruik **NOOIT** schurende reinigingsmiddelen, vloeibare sprays of andere reinigingsmiddelen die krassen op het oppervlak kunnen veroorzaken.

Onderhoud



Gevaar voor elektrische schok! OPEN GEEN panelen! Geen door de gebruiker te onderhouden onderdelen binnenin!



Zet de kachel **ALTIJD UIT** en haal de stekker uit het stopcontact voordat u deze haard schoonmaakt, onderhoudt of verplaatst. Als u dit niet doet, kan dit leiden tot **elektrische schokken, brand of persoonlijk letsel**.

Elektrische en bewegende delen:

- De ventilatormotoren zijn in de fabriek gesmeerd en hoeven niet te worden gesmeerd.
- Elektrische componenten zijn geïntegreerd in de haard en kunnen niet door de consument worden onderhouden.

Opslag:

- Bewaar de kachel op een schone, droge plaats wanneer deze niet in gebruik is.



WAARSCHUWING! GEEN ONDERHOUD aan de interne of elektrische onderdelen mag worden uitgevoerd door de consument. Voer zelf geen onderhoud aan het apparaat uit.



WEEE:

Betekenis van doorgekruiste vuilnisbak op wielen:

Gooi elektrische apparaten niet weg bij het ongesorteerde gemeentelijk afval, maar maak gebruik van aparte inzamelingspunten. Neem contact op met uw lokale overheid voor informatie over de beschikbare inzamelsystemen. Als elektrische apparaten worden weggegooid op stortplaatsen of stortplaatsen, kunnen gevaarlijke stoffen in het grondwater lekken en in de voedselketen terechtkomen, wat schadelijk is voor uw gezondheid en welzijn.

Bij het vervangen van oude apparaten door nieuwe is de winkelier wettelijk verplicht om uw oude apparaat in ieder geval gratis terug te nemen voor verwijdering.

Instructies voor het koppelen van applicaties

1. Download de app

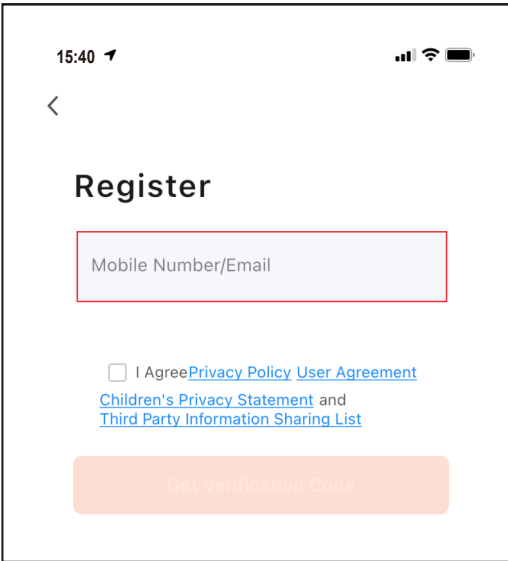
- Download "Tuya Smart" uit de app store.
- Scan de QR-code.
- Schakel "GPS" in op uw mobiele apparaat.



Opmerking: zorg ervoor dat uw mobiele telefoon is verbonden met het dichtstbijzijnde wifi-sigitaal.

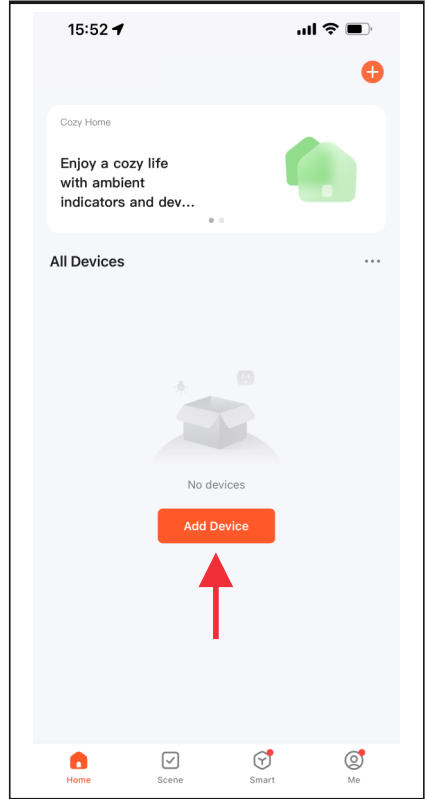
2. Log in

- Meld u aan met uw e-mailadres of mobiele nummer als gebruikersnaam.
- Stel uw accountwachtwoord in.



3. Voeg toestel toe

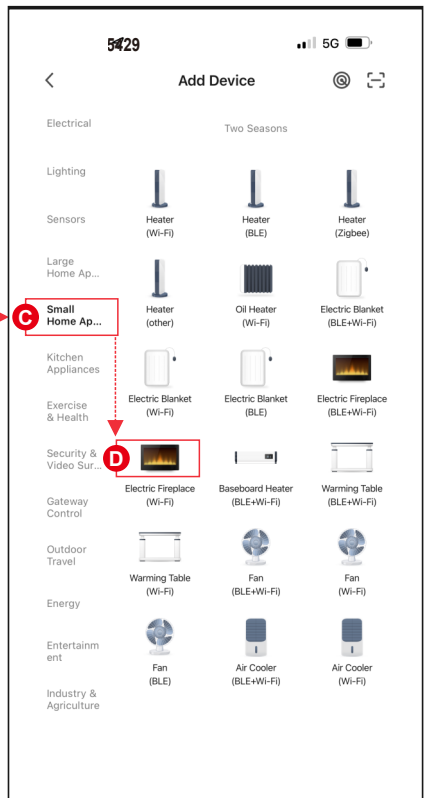
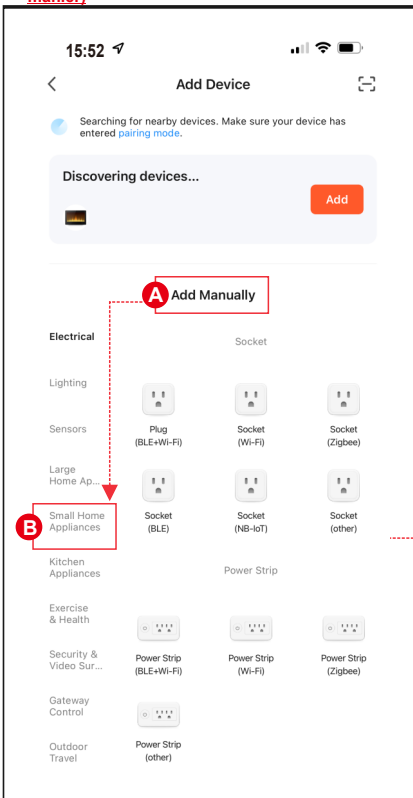
Nadat u een account hebt aangemaakt, logt u erop in en selecteert u de knop "Apparaat toevoegen".




3. Apparaat toevoegen - vervolg

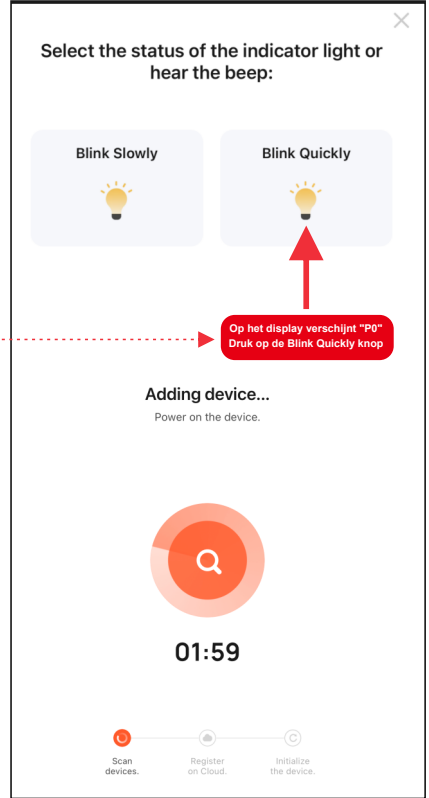
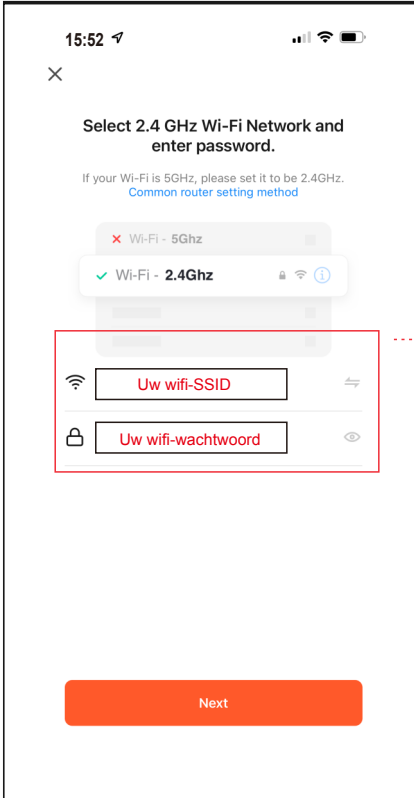
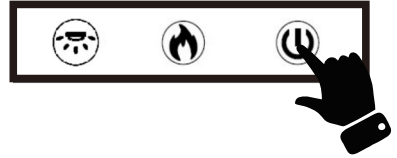
Er zijn drie manieren om een elektrische haard toe te voegen.

- Methode 1: Handmatig toevoegen in "P0"-modus. Volg stappen A, B, C, D hieronder.
- Methode 2: Handmatig toevoegen in "P1"-modus. Volg stappen A, B, C, D hieronder.
- **Methode 3: toevoegen via Bluetooth. Schakel Bluetooth op uw mobiele telefoon in voordat u toevoegt. (De beste manier)**




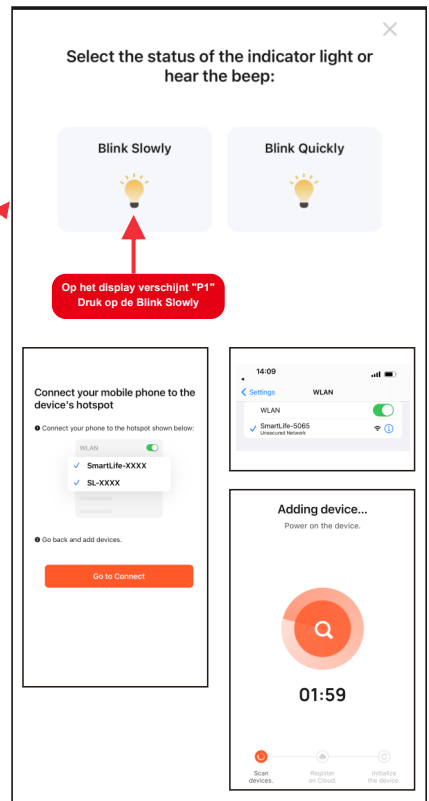
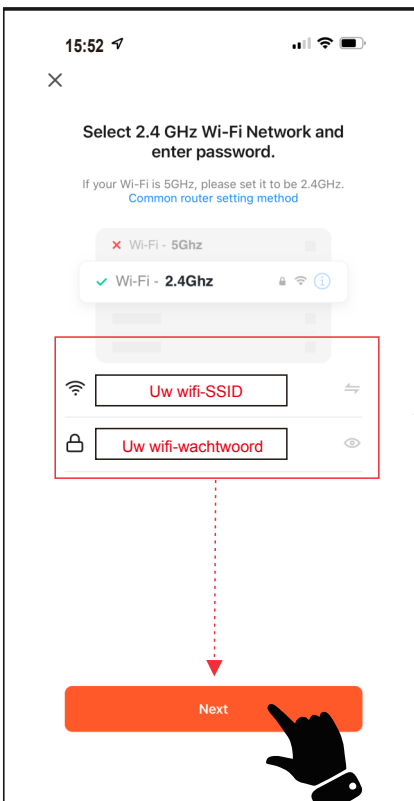
4. Aansluitmethode 1 - (P0)

- Houd  op de afstandsbediening ingedrukt en u hoort een "piep"-geluid van de open haard.
- Voer de wifi-naam en het wachtwoord in en druk vervolgens op "Next" om te koppelen.
- Druk op de **Blink Quickly** knop, het apparaat wordt toegevoegd.




4. Aansluitmethode 2 - (P1)

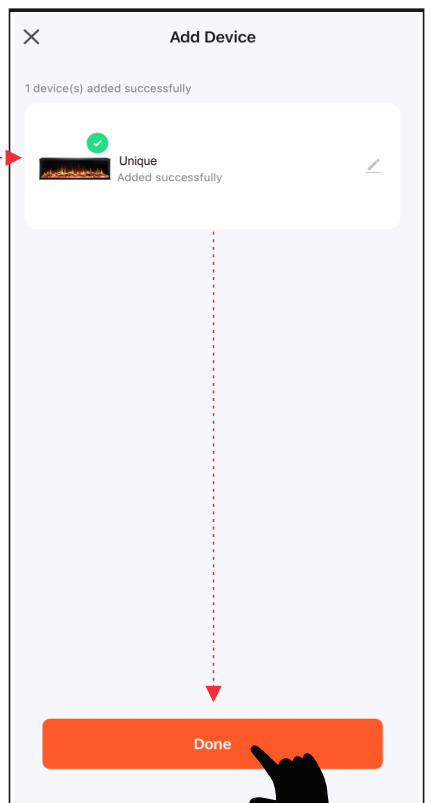
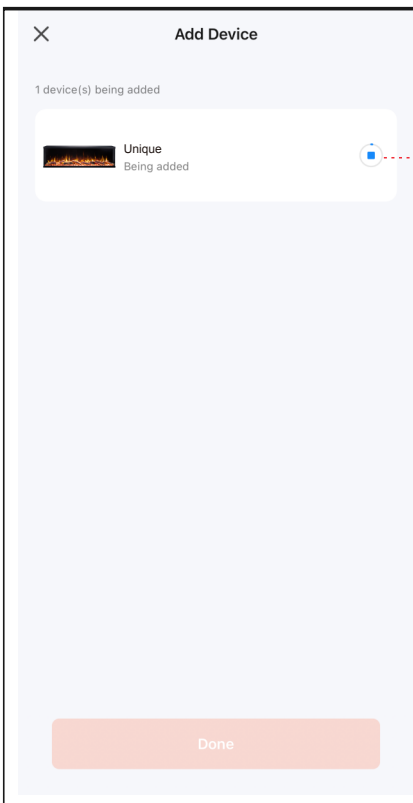
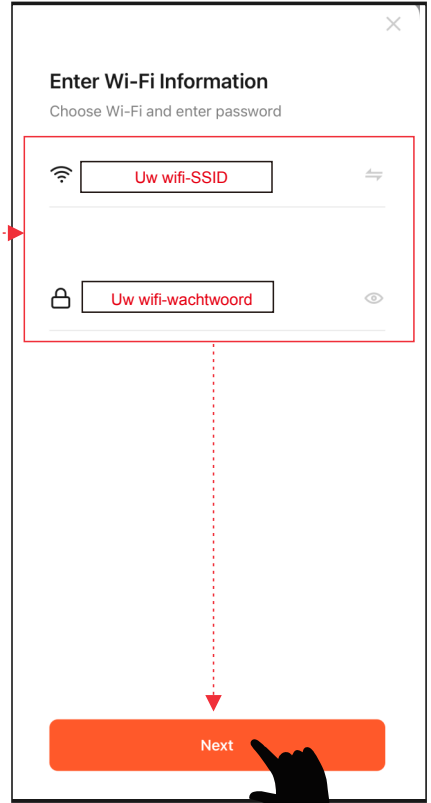
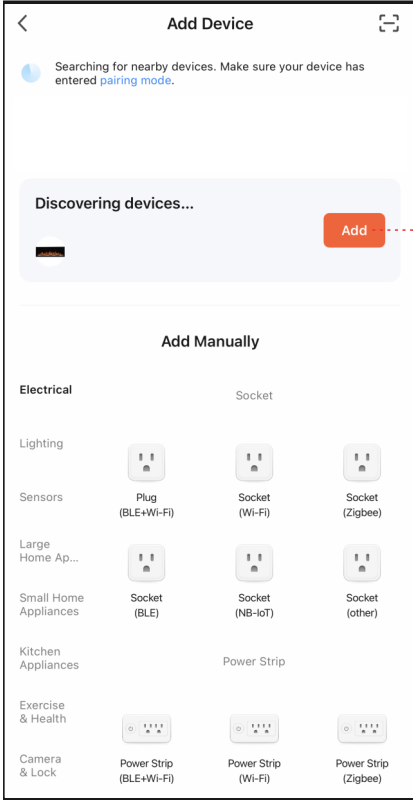
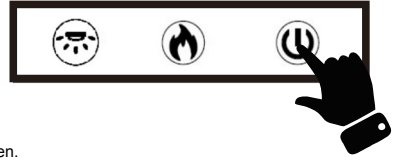
- Houd  op de afstandsbediening ingedrukt en u hoort een "piep"-geluid van de open haard.
- Voer de wifi-naam en het wachtwoord in en druk vervolgens op "Next" om te koppelen.
- Druk op de knop **Blink Slowly**. Ga vervolgens verder met het verbinden van uw mobiele telefoon met de hotspot van het apparaat.
- Selecteer de hotspot van uw apparaat (**SmartLife-xxxx**) en ga terug naar uw apparaat. Apparaat wordt toegevoegd.





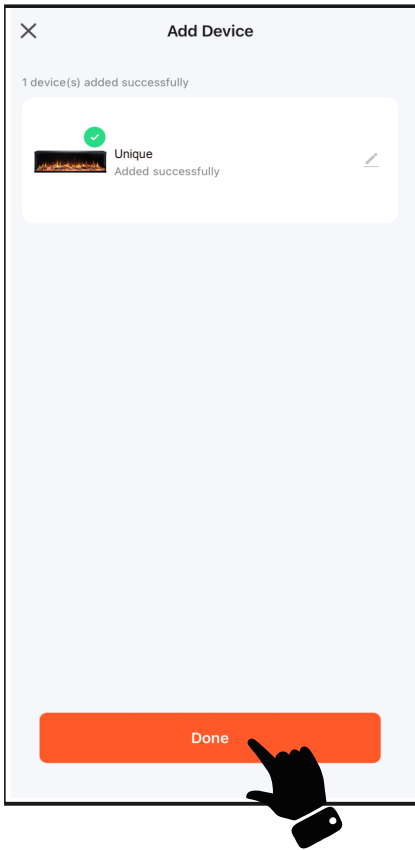
4. Verbindingsmethode 3 - (Bluetooth)

- Houd  op de afstandsbediening ingedrukt en u hoort een "piep"-geluid van de open haard.
- Druk op  wanneer je een apparaat ziet met de naam "Unique".
- Voer de wifi-naam en het wachtwoord in en druk vervolgens op "Next" om te koppelen.



5. Beëindigd

- Druk op **Done** om te voltooien.



Applicatie handleiding

