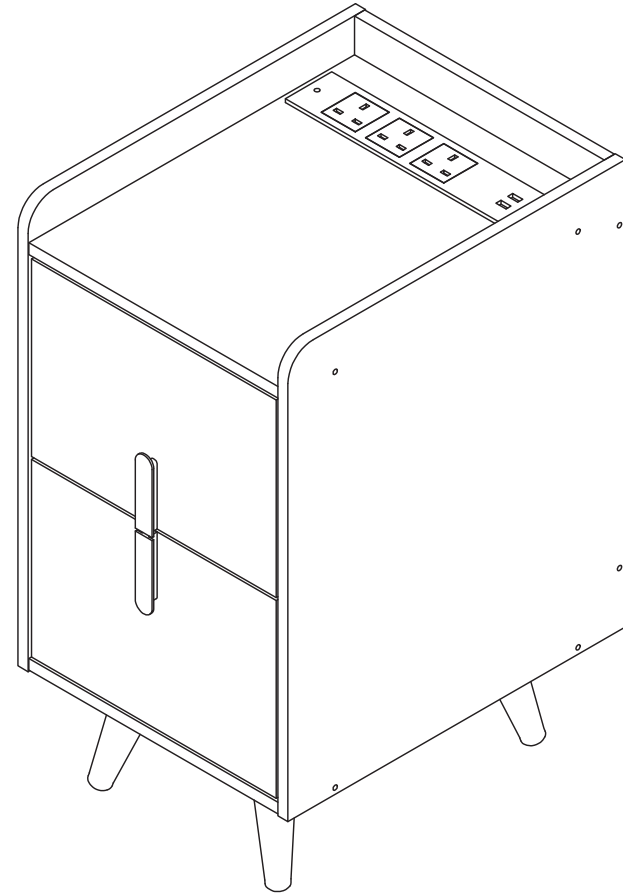


Bdside Table



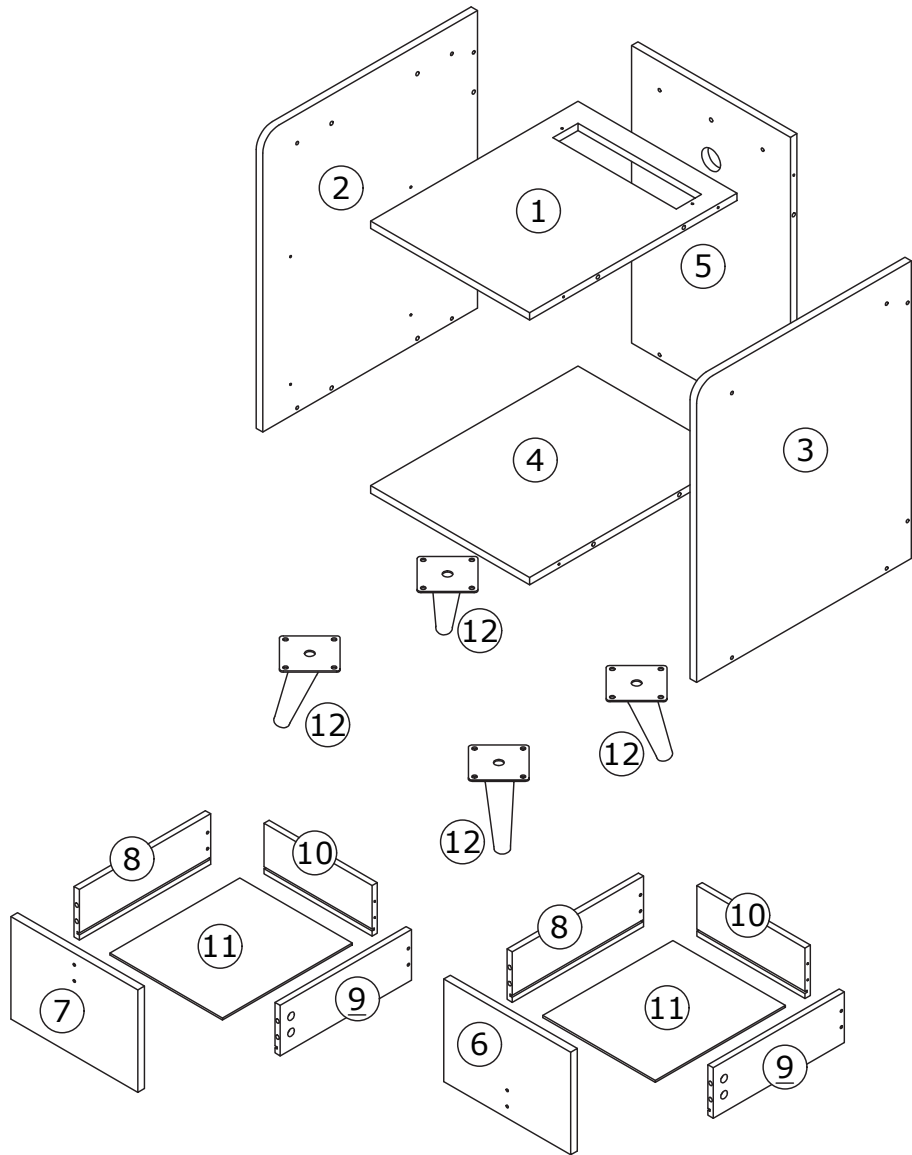
Before You Start

- ⚠ Please read all instructions carefully.
- ⚠ Retain instructions for future reference.
- ⚠ Separate and count all parts and hardware.
- ⚠ Read through each step carefully and follow the proper order.
- ⚠ We recommend that, where possible, all items are assembled near to the area in which they will be placed in use, to avoid moving the product unnecessarily once assembled.
- ⚠ Always place the product on a flat, steady and stable surface.
- ⚠ Keep all small parts and packaging materials for this product away from babies and children as they potentially pose a serious choking hazard.

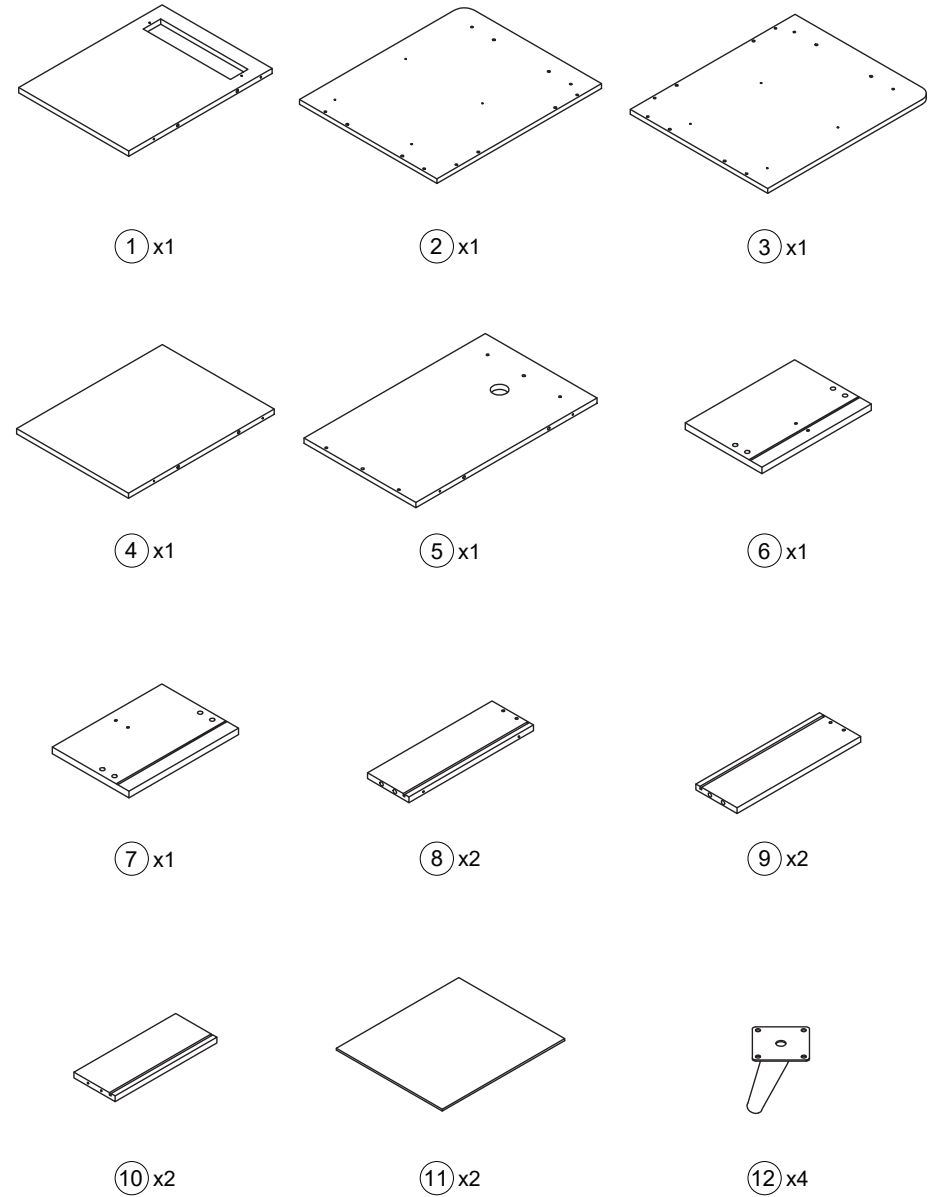


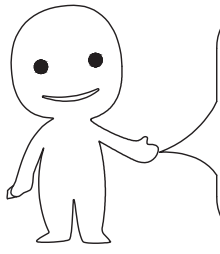
Bsdside Table

Board Identification

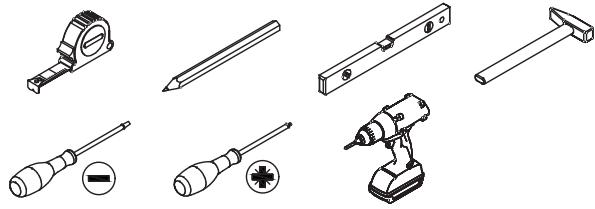


PARTS LIST





Please prepare the following tools

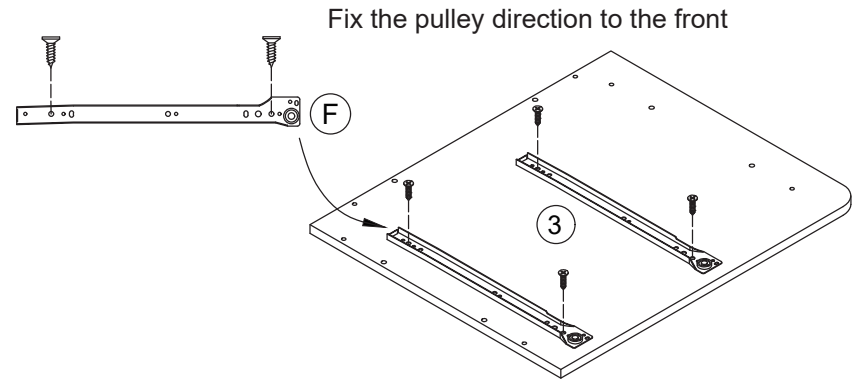
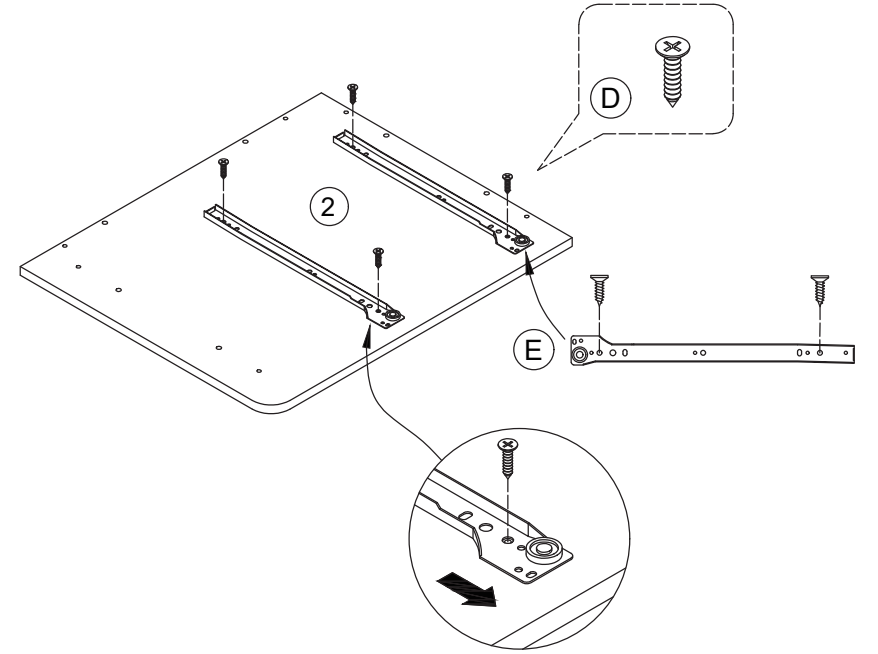


1



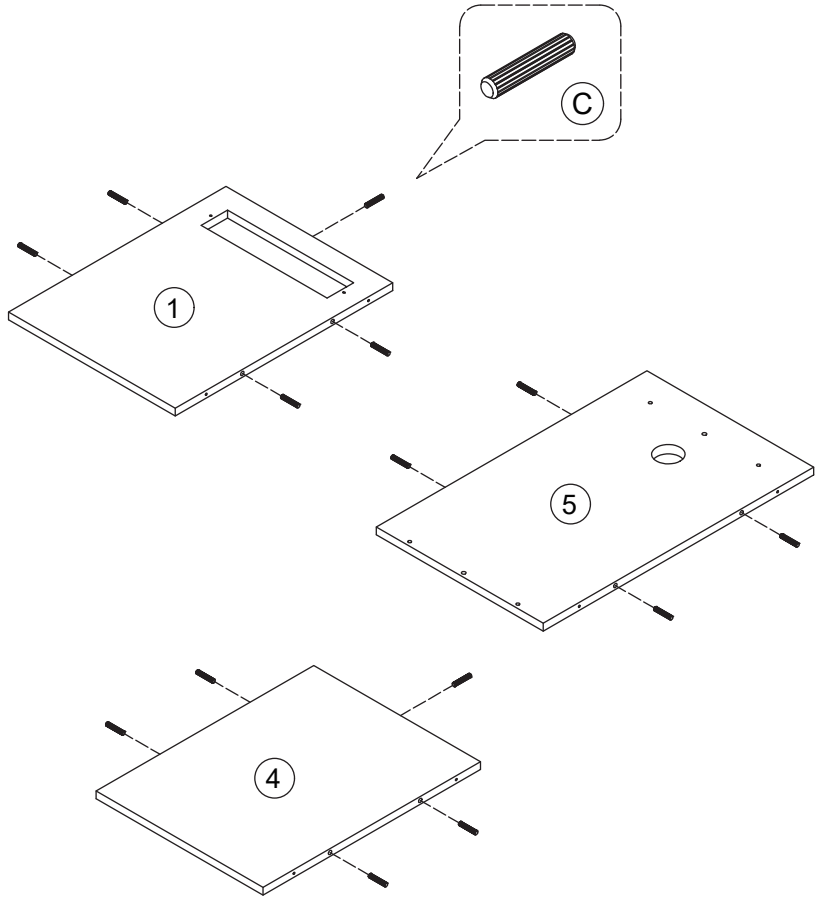
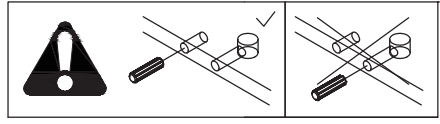
When installing, please carefully confirm whether each screw corresponds to the manual, accessories with similar shapes can be distinguished by size.

<p>A x 8+1</p> <p>Ø15 x 9.5 mm</p>	<p>B x 8+1</p> <p>Ø7 x 31 mm</p>	<p>C x 14+2</p> <p>Ø6 x 30 mm</p>	<p>D x 34+2</p> <p>Ø3.5 x 12 mm</p>
<p>E x 2</p>	<p>F x 2</p>	<p>G x 2</p>	<p>H x 2</p>
<p>I x 8+1</p> <p>Ø4 x 35 mm</p>	<p>J x 2</p>	<p>K x 4</p> <p>Ø4 x 18 mm</p>	<p>L x 16+2</p> <p>Ø5 x 40 mm</p>
<p>M x 1</p>	<p>N x 1</p>		



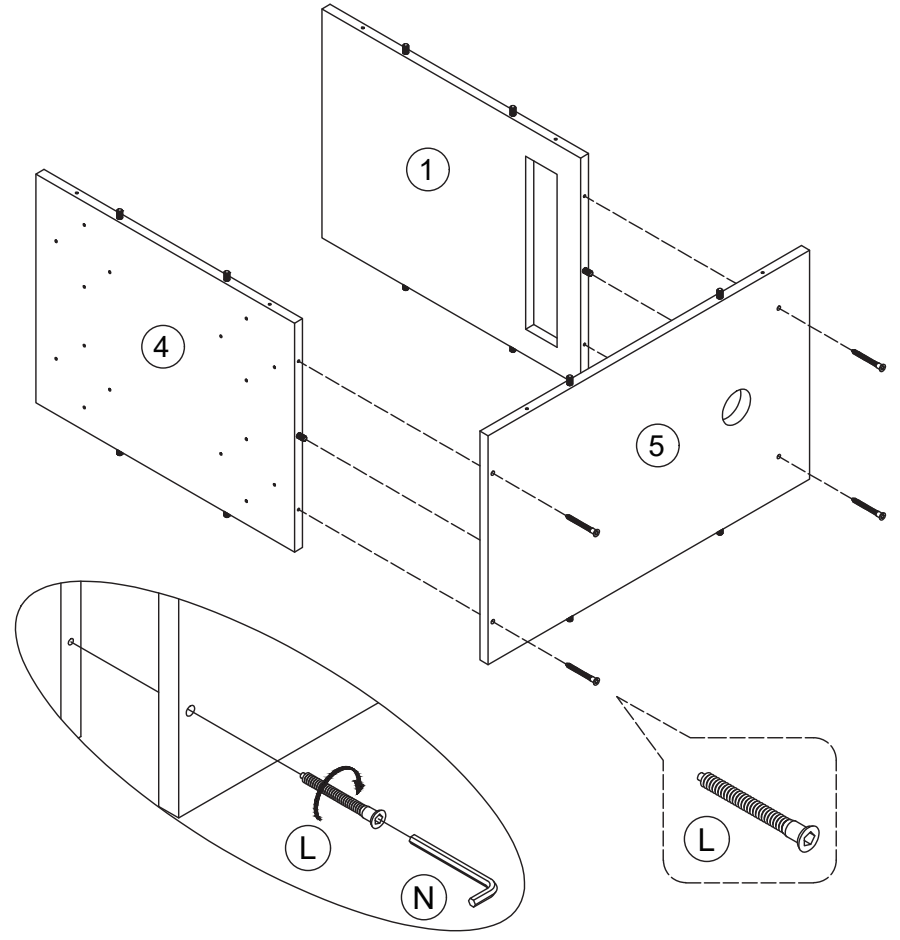
2

C x 14 	
$\varnothing 6 \times 30 \text{ mm}$	

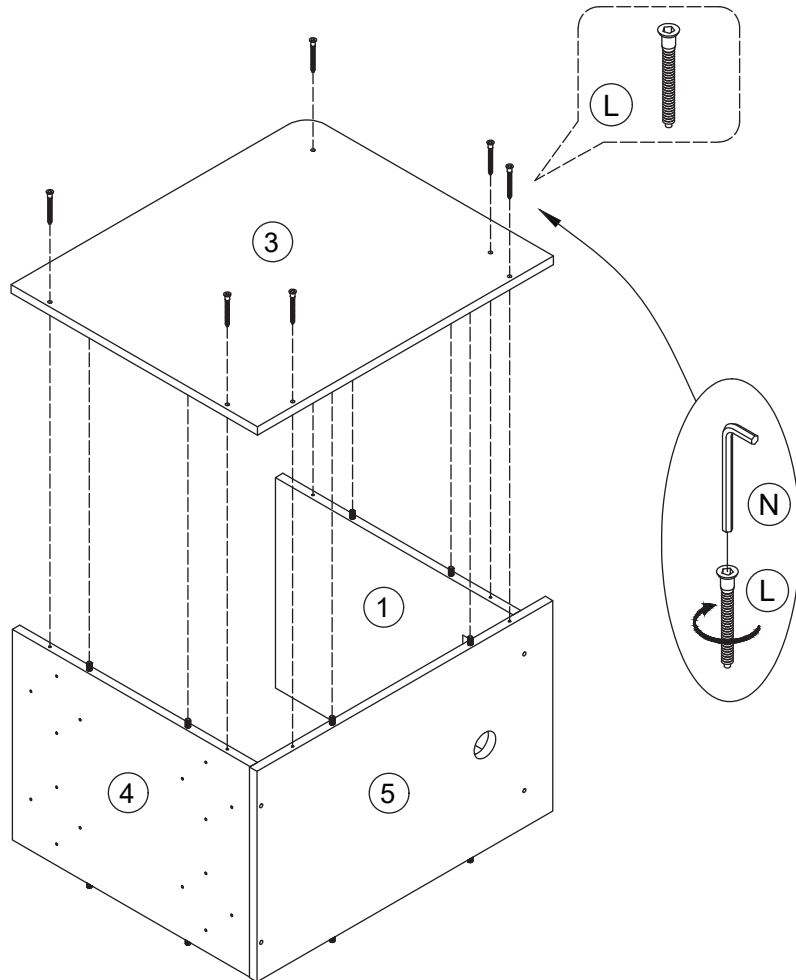


3

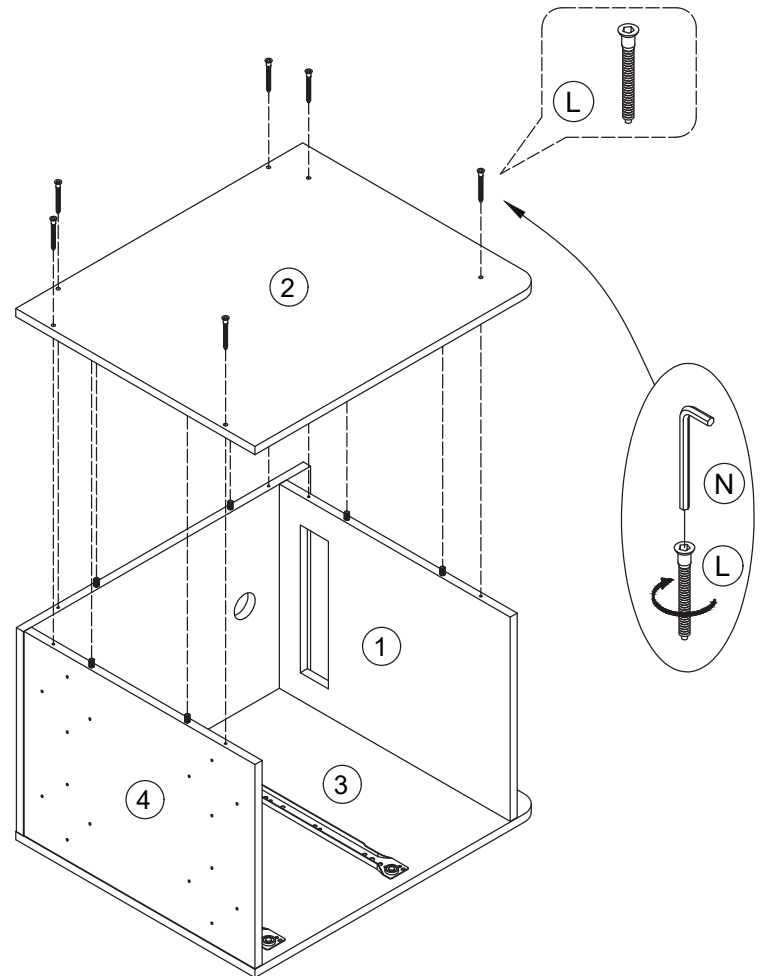
L x 4 	N x 1 	
$\varnothing 5 \times 40 \text{ mm}$		



4

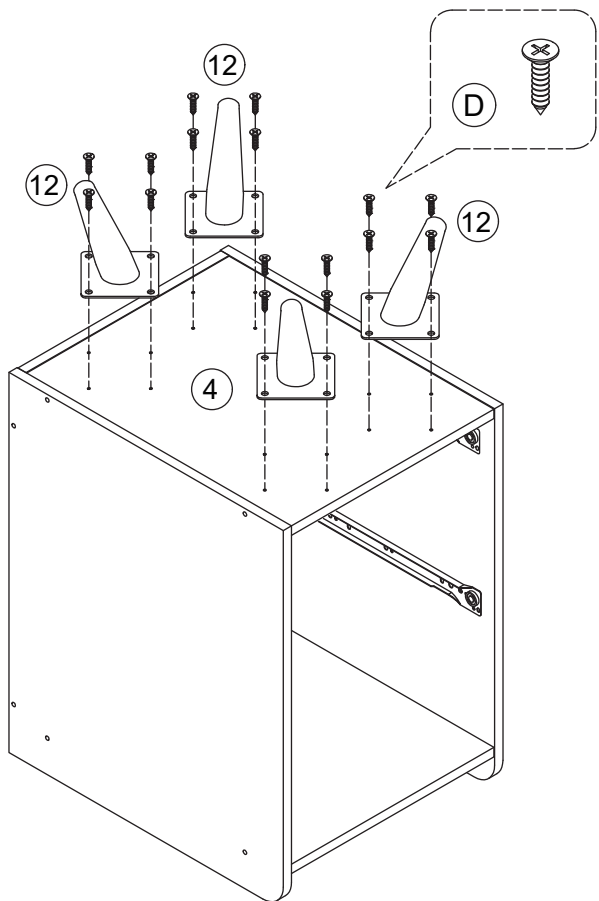


5



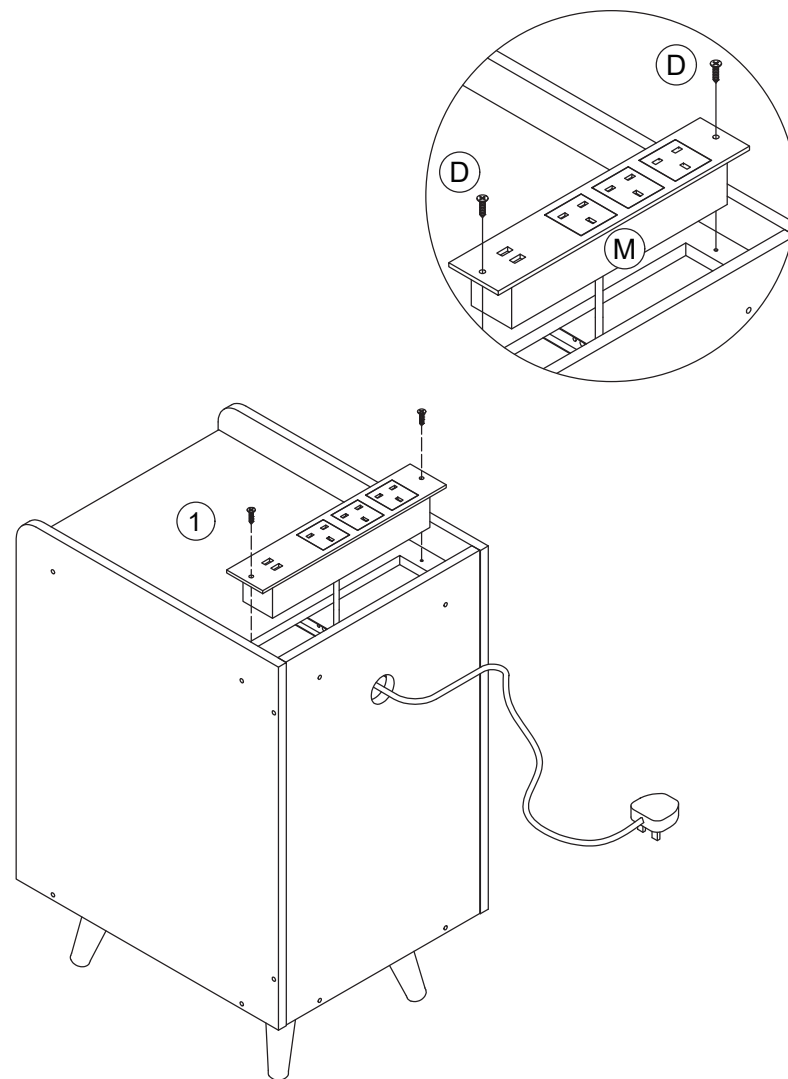
6

D x 16  Ø3.5 x 12 mm	
---	---



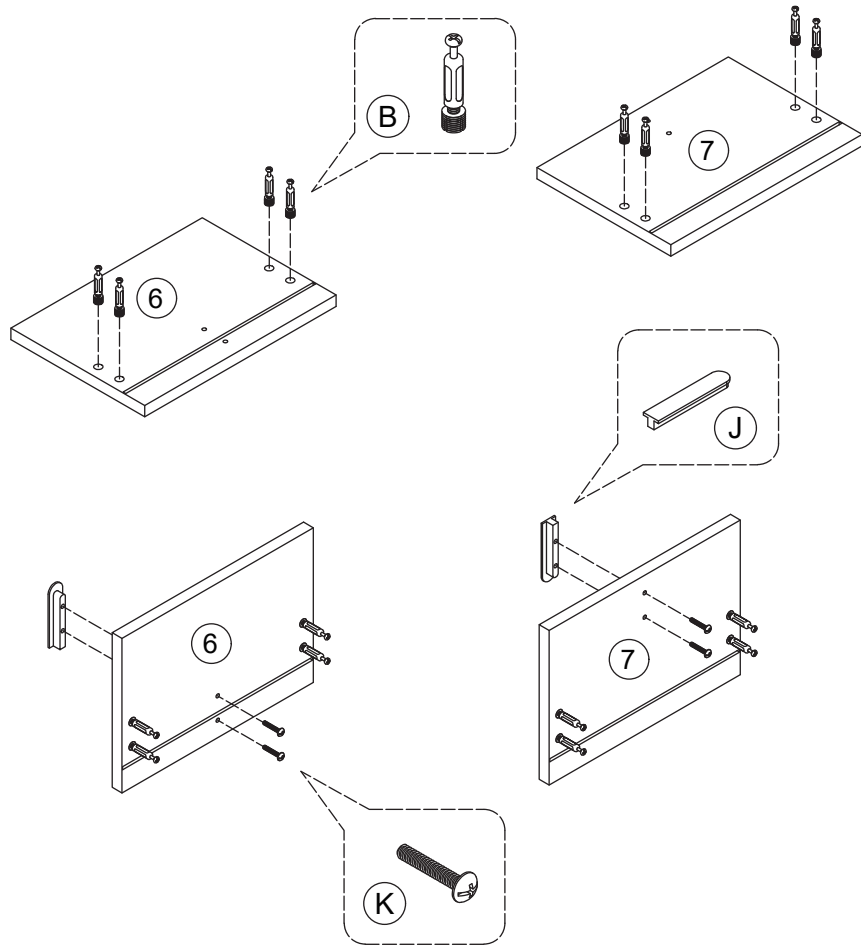
7

D x 2  Ø3.5 x 12 mm	M x 1 	
--	--	---



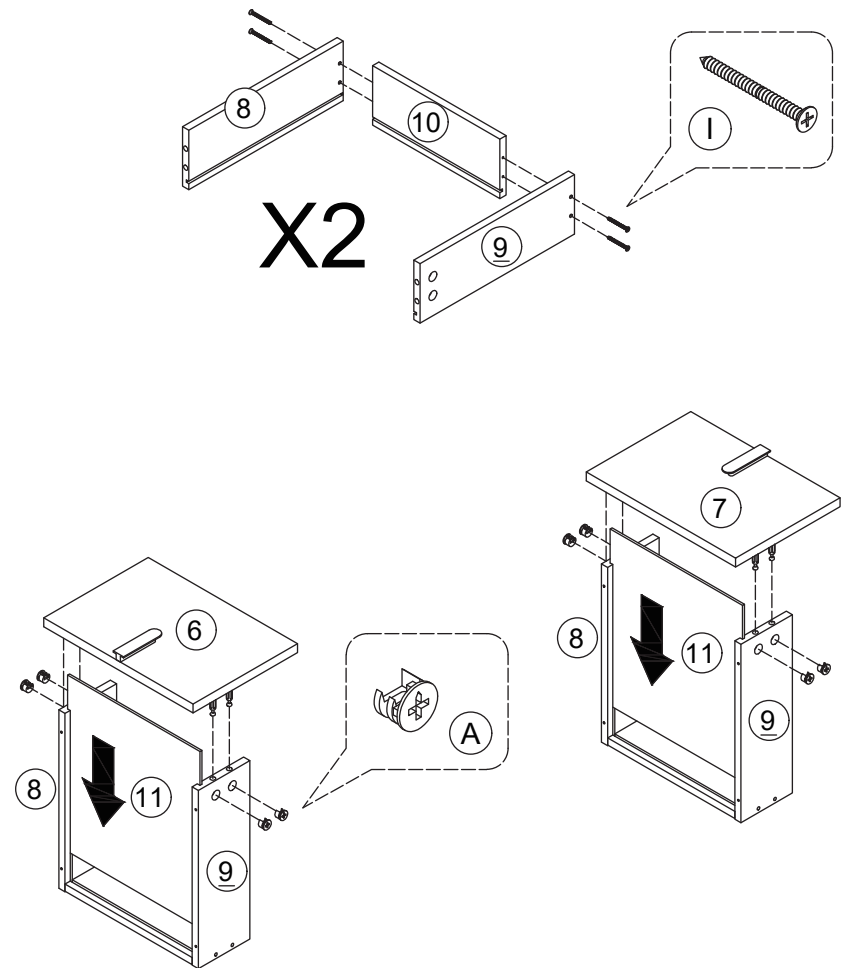
8

B x 8 ø7 x 31 mm	K x 4 ø4 x 18 mm	J x 2	



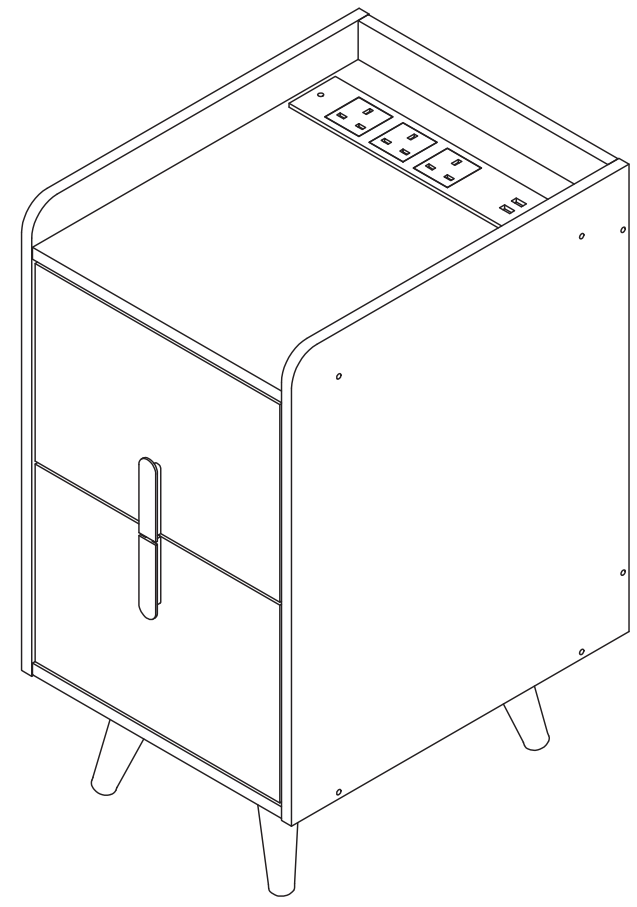
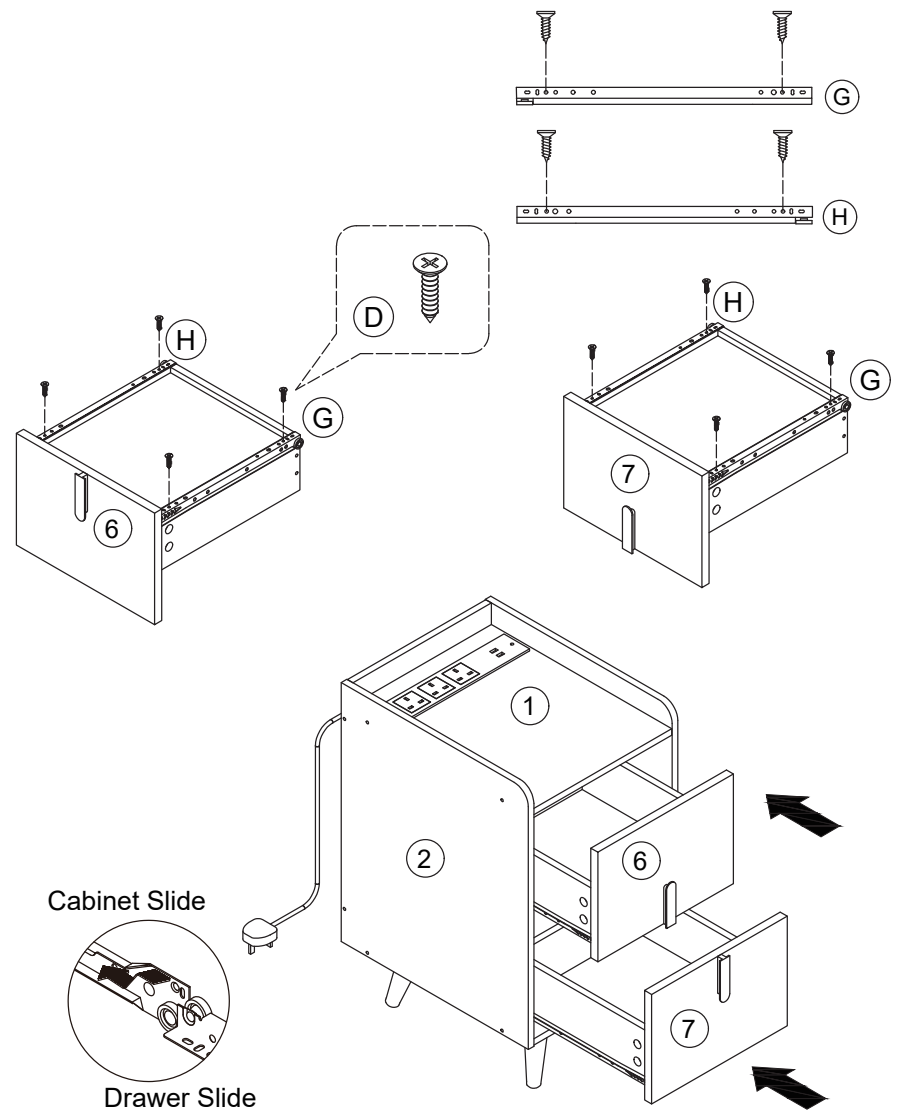
9

A x 8 ø15 x 9.5 mm	I x 8 ø4 x 35 mm	



10

D x 8
Ø3.5 x 12 mm





Return / Damage Claim Instructions

- ⚠ **DO NOT discard the box / original packaging.**
In case a return is required, the item must be returned in original box. Without this your return will not be accepted.
- ⚠ **Take a photo of the box markings.**
A photo of the markings (text) on the side of the box is required in case a part is needed for replacement. This helps our staff identify your product number to ensure you receive the correct parts.
- ⚠ **Take a photo of the damaged part (if applicable).**
A photo of the damage is always required to file a claim and get your replacement or refund processed quickly. Please make sure you have the box even if it is damaged.
- ⚠ **Send us an email with the images requested.**
Email us directly from marketplace where your item was purchased with the attached images and a description of your claim.