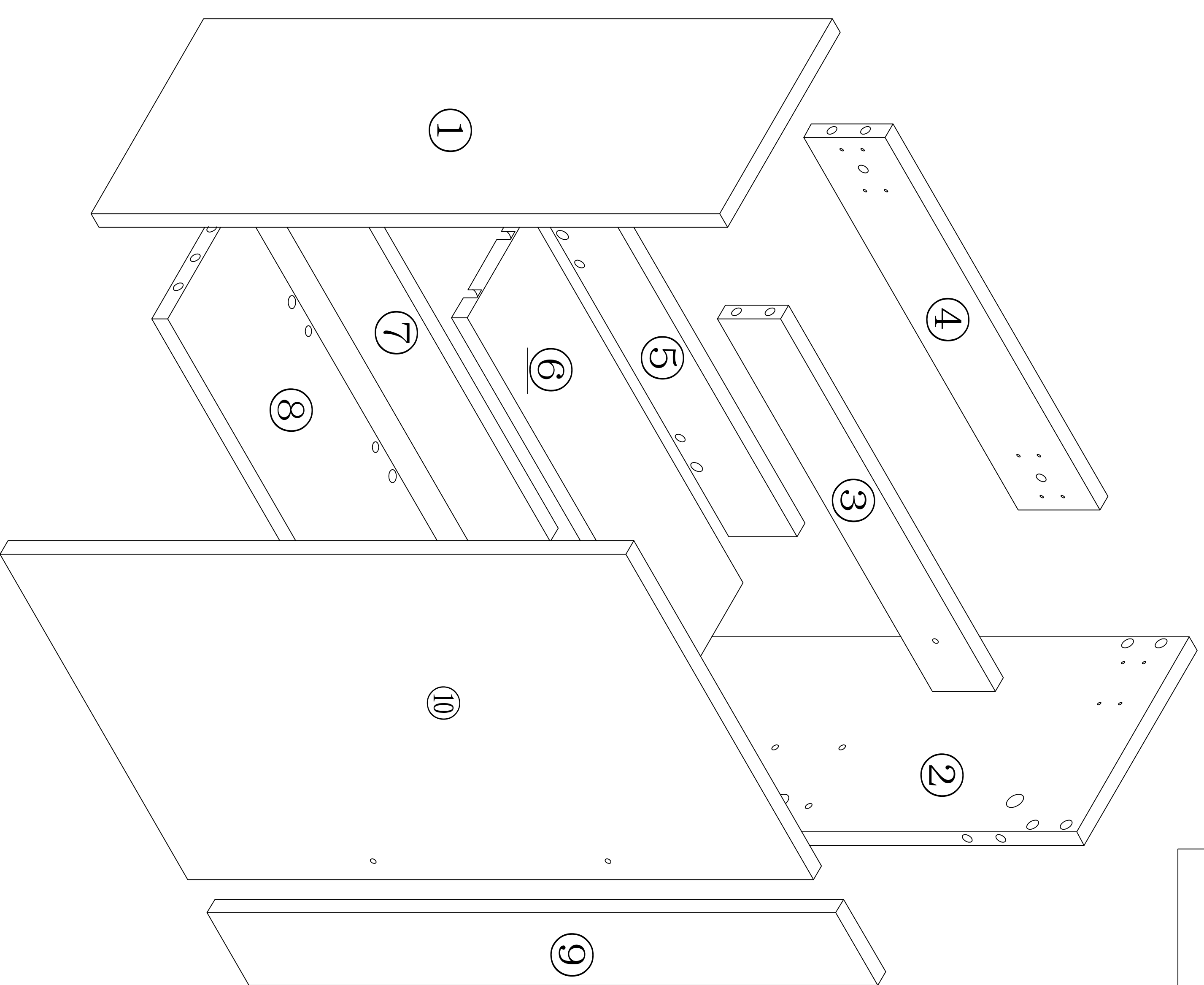
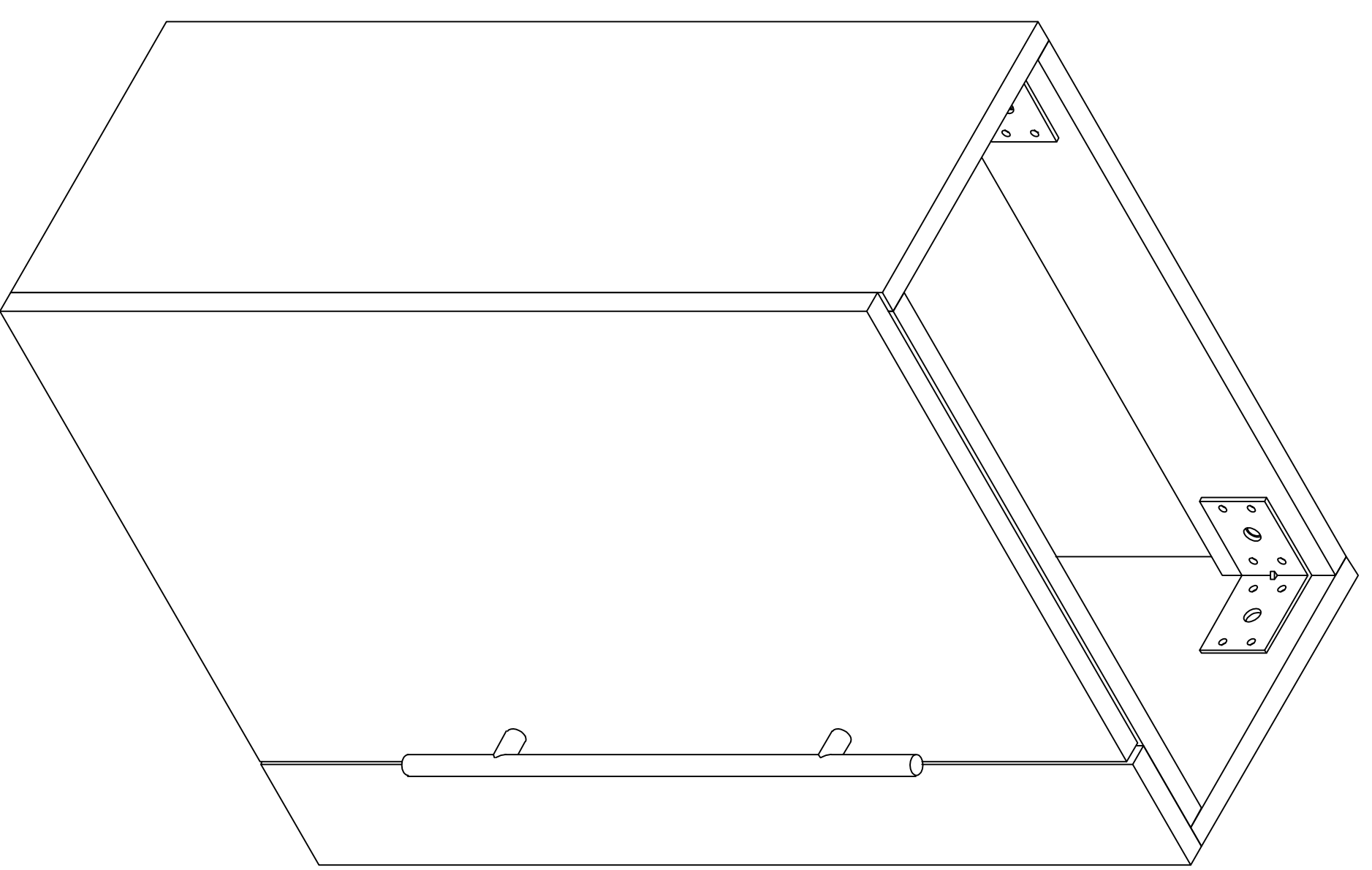
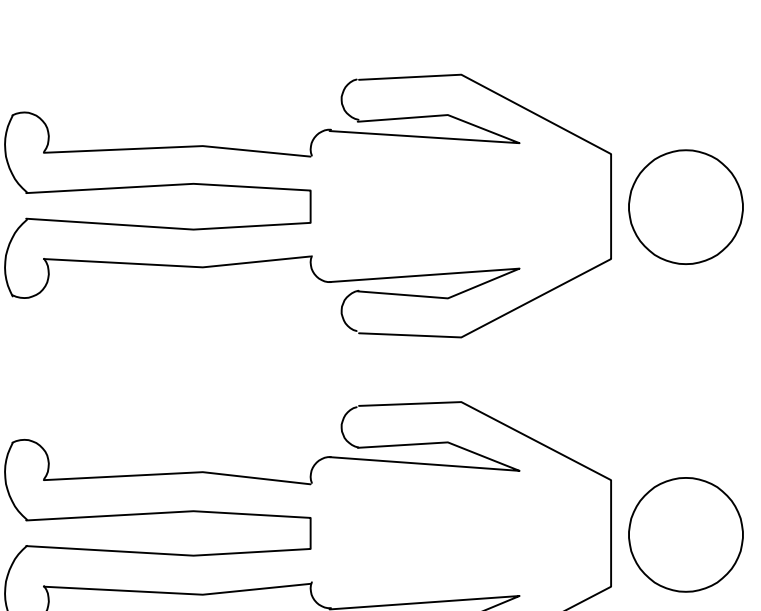
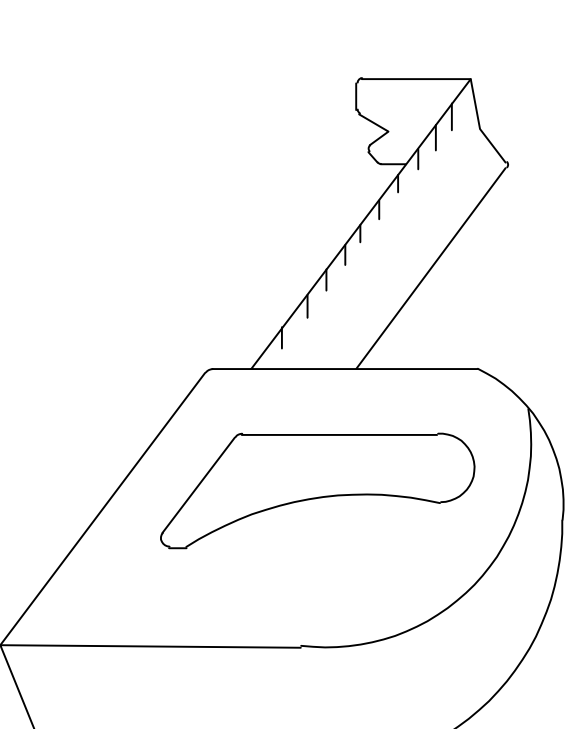
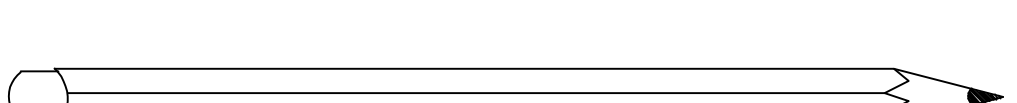
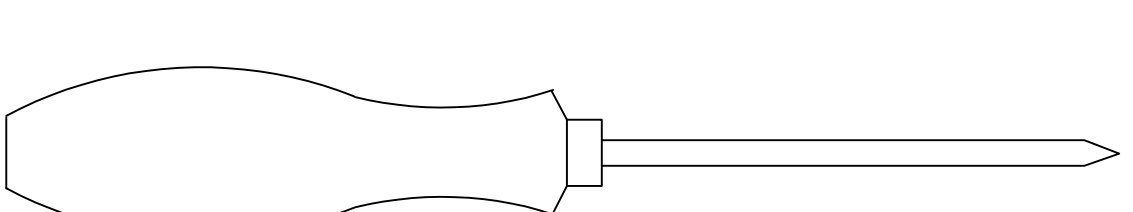
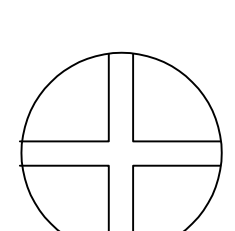
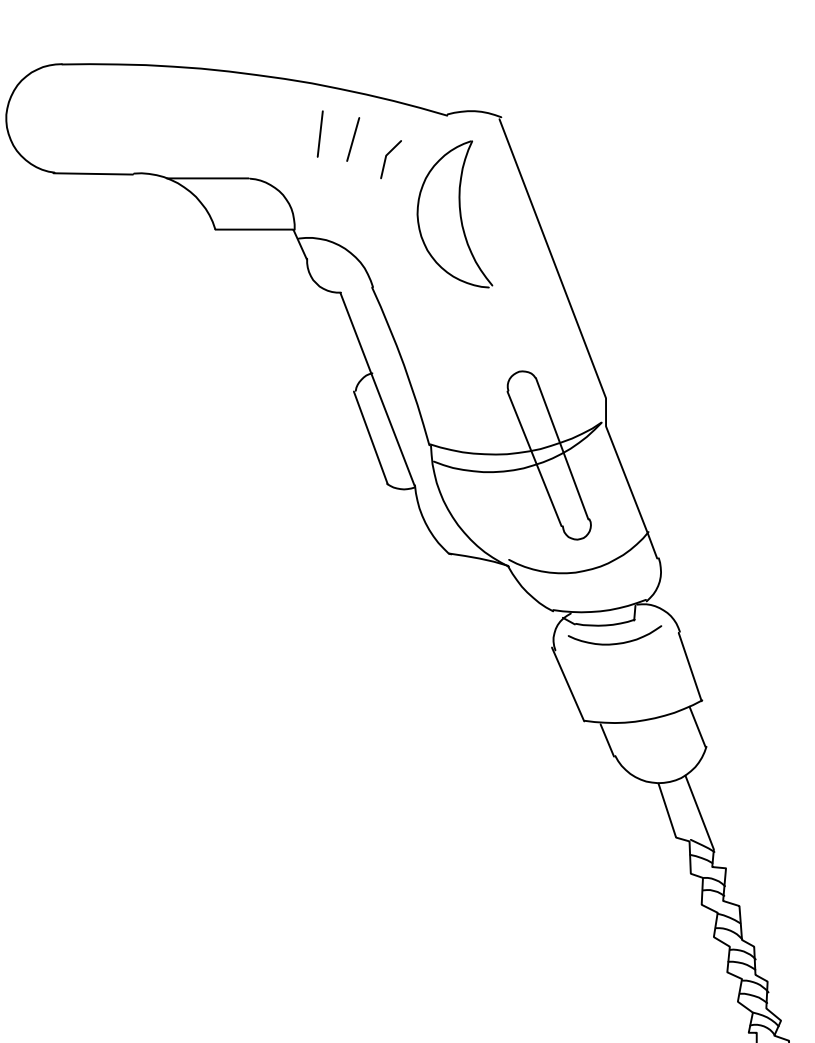
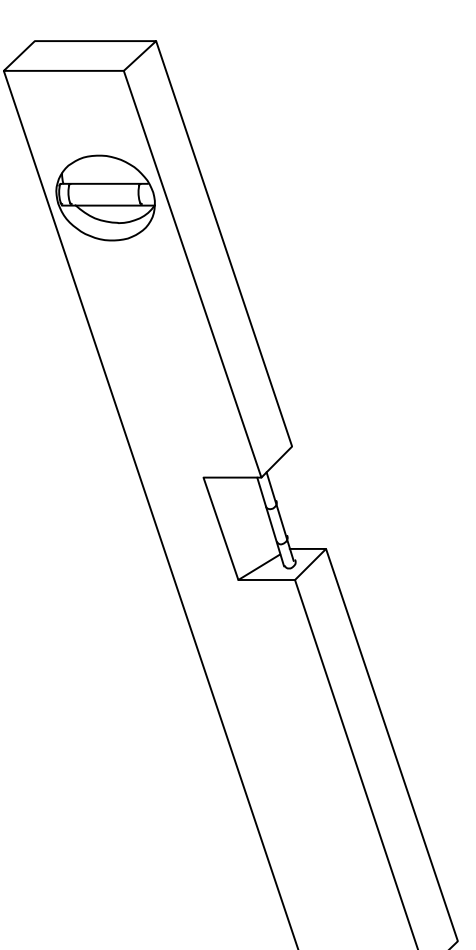


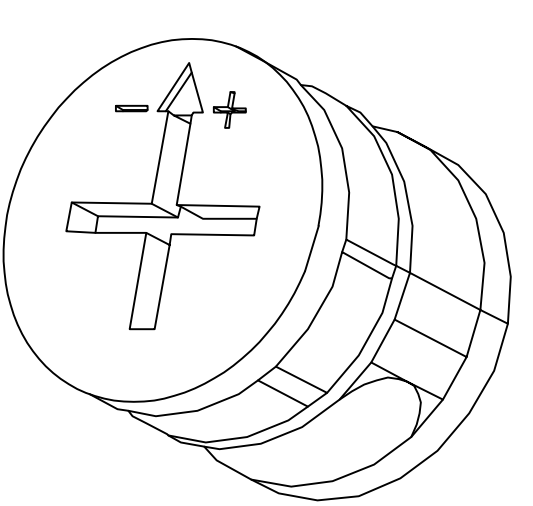
Y-601



Order	(L*W) MM
①	600*215=1
②	600*215=1
③	410*60=1
④	410*78=1
⑤	409*65=1
⑥	409*117=1
⑦	410*78=1
⑧	410*135=1
⑨	600*80=1
⑩	597*358=1

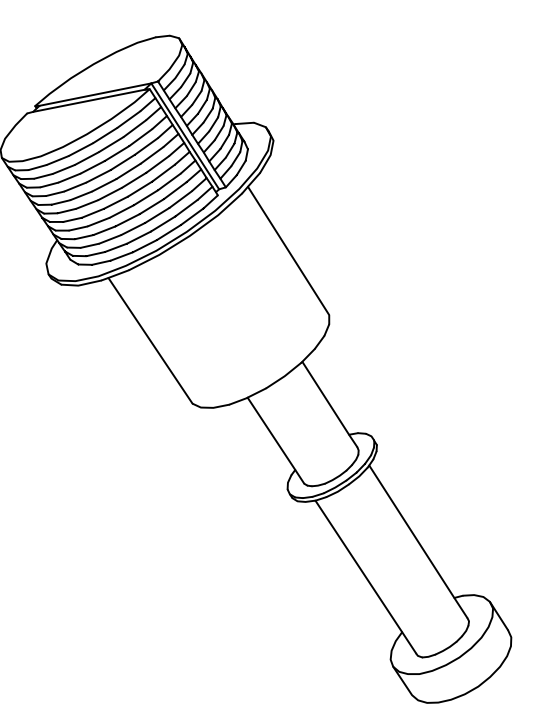


A



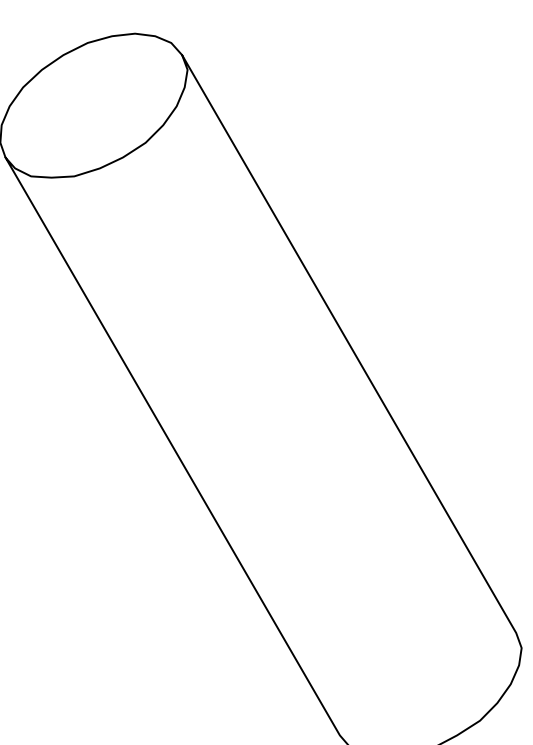
∅15*13mm
=24

V



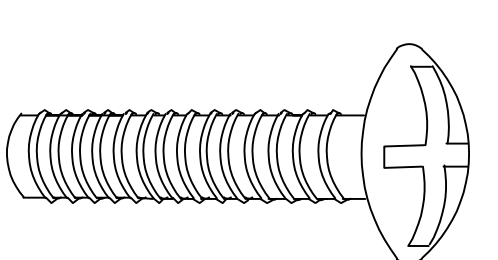
∅8*40mm
=24

C



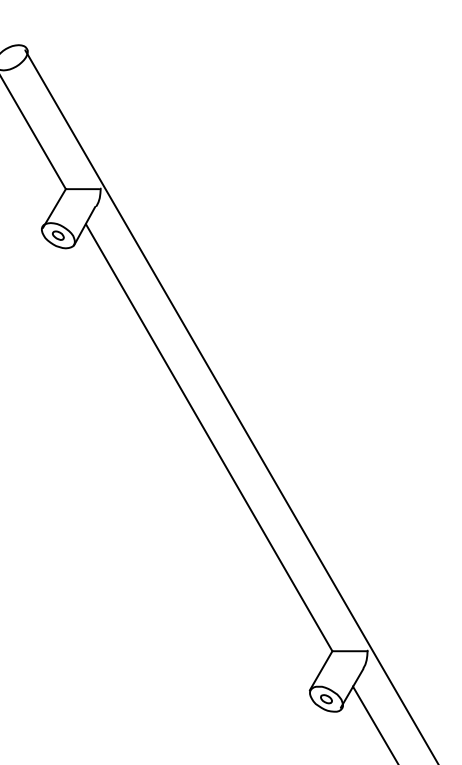
∅8*40mm
=8

D



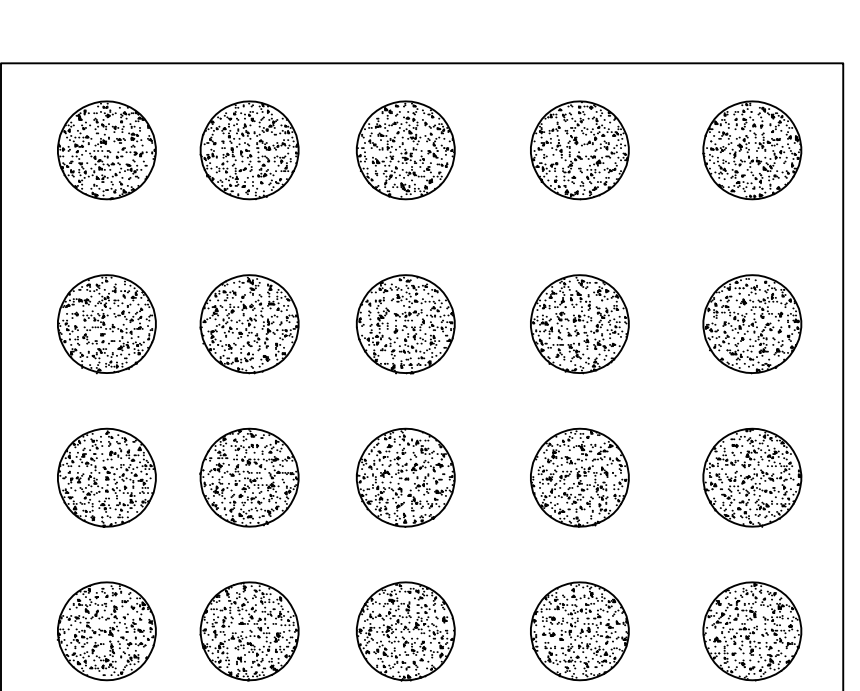
∅4*25mm
=2

E-E



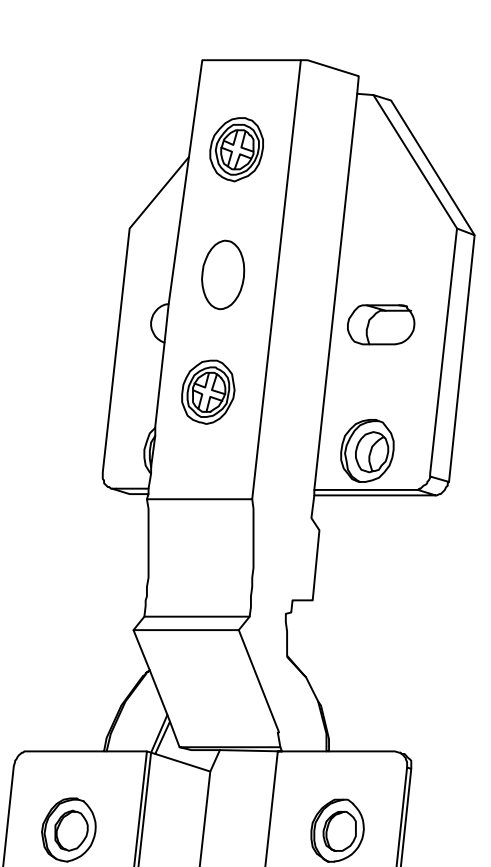
350*∅12mm
=1

F



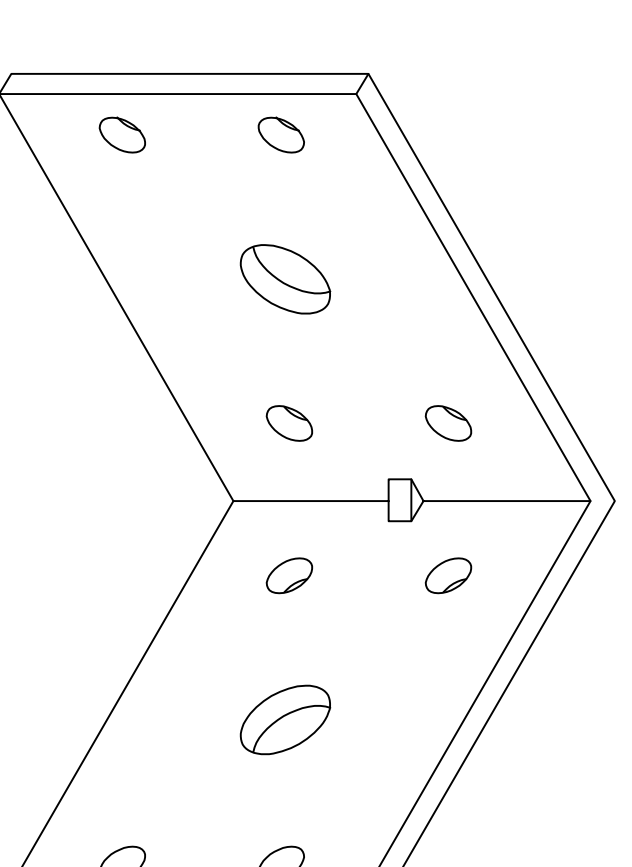
∅20*0.3mm=24

G



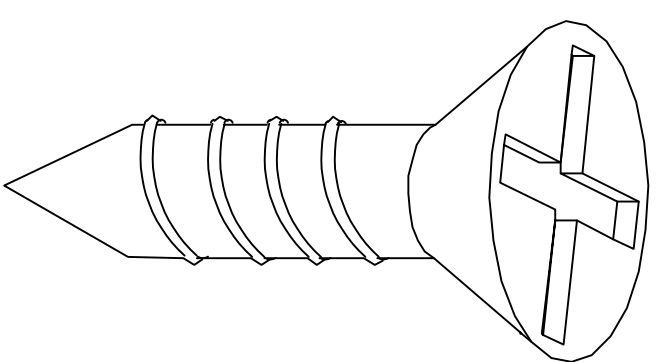
25*65*25mm
=2

H-H



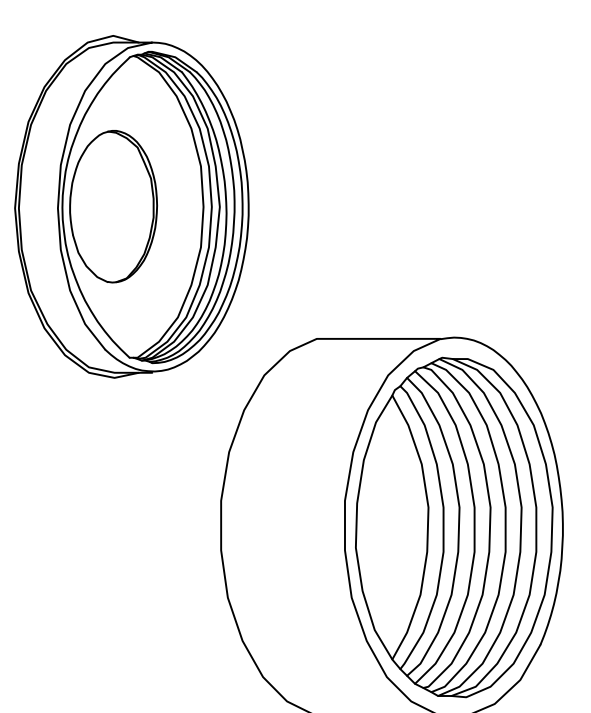
67*67*40mm
=2

I



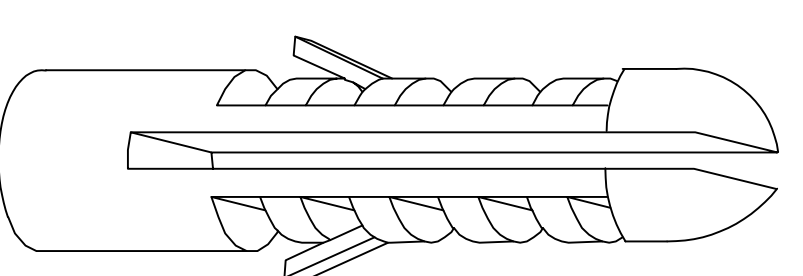
4*14mm
=28

J



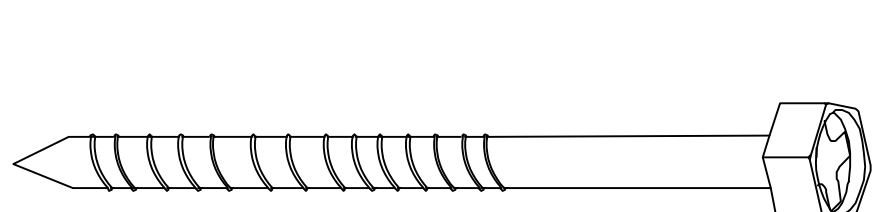
∅20*8mm
=2

K



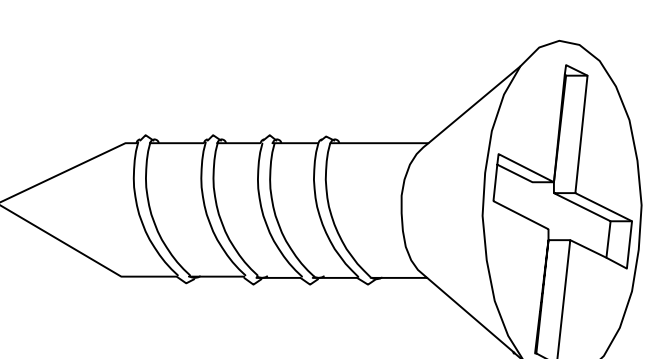
∅10*43mm
=2

L



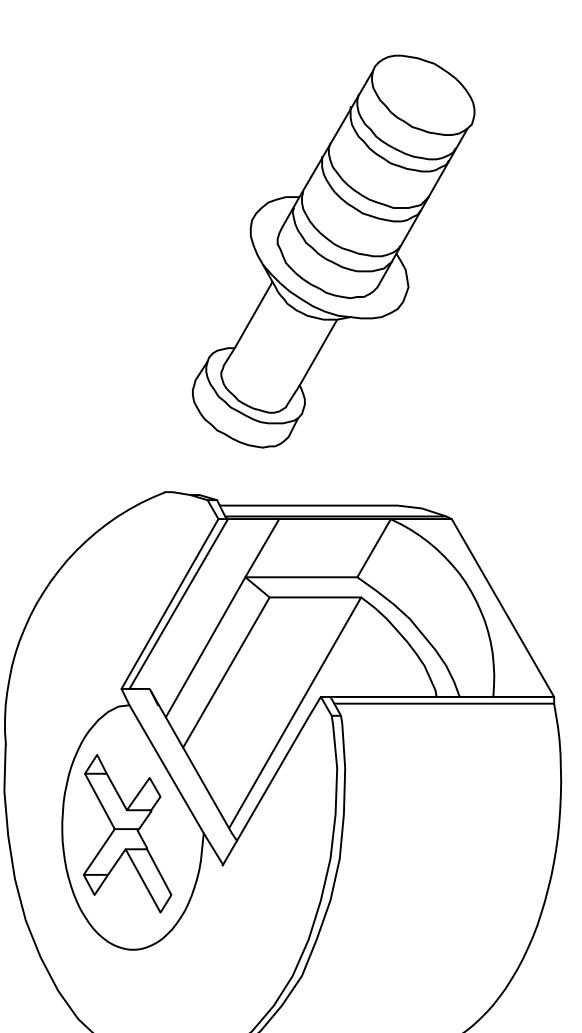
∅6*70mm
=2

M-M



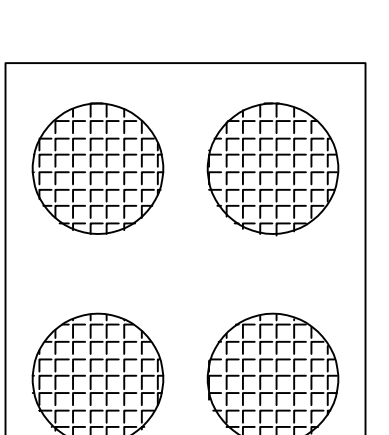
4*20mm
=1

N-N



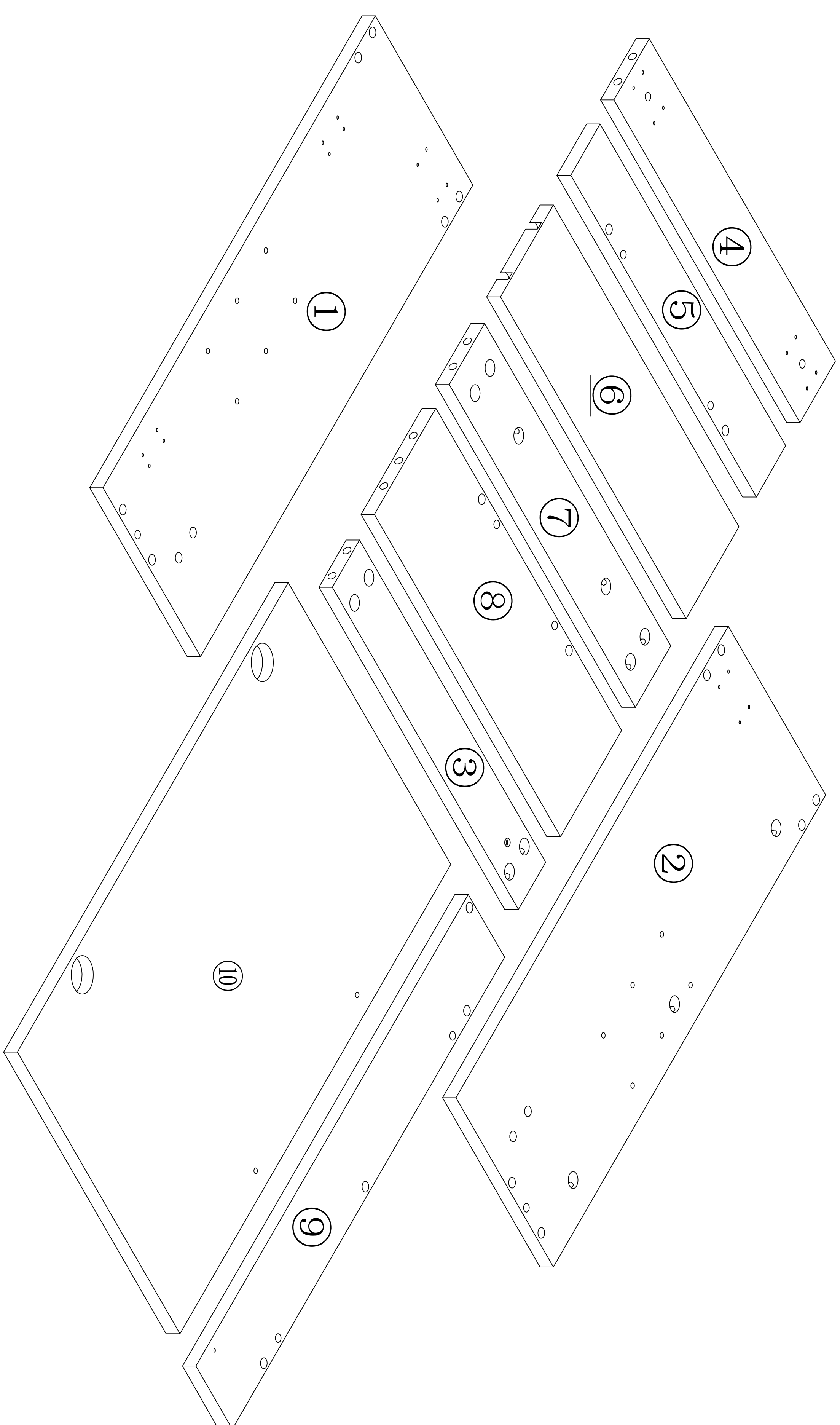
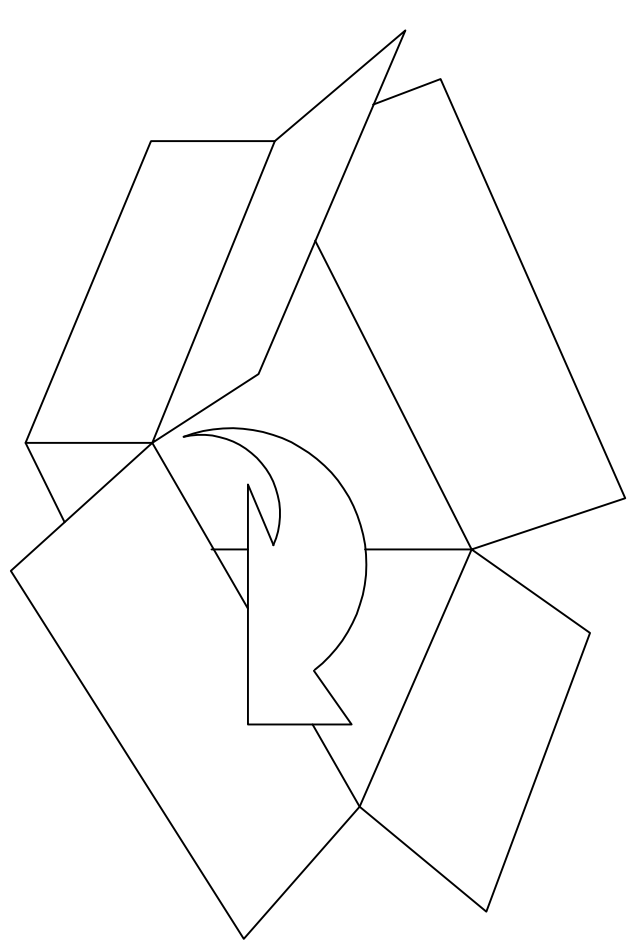
∅20*10mm
=4

P

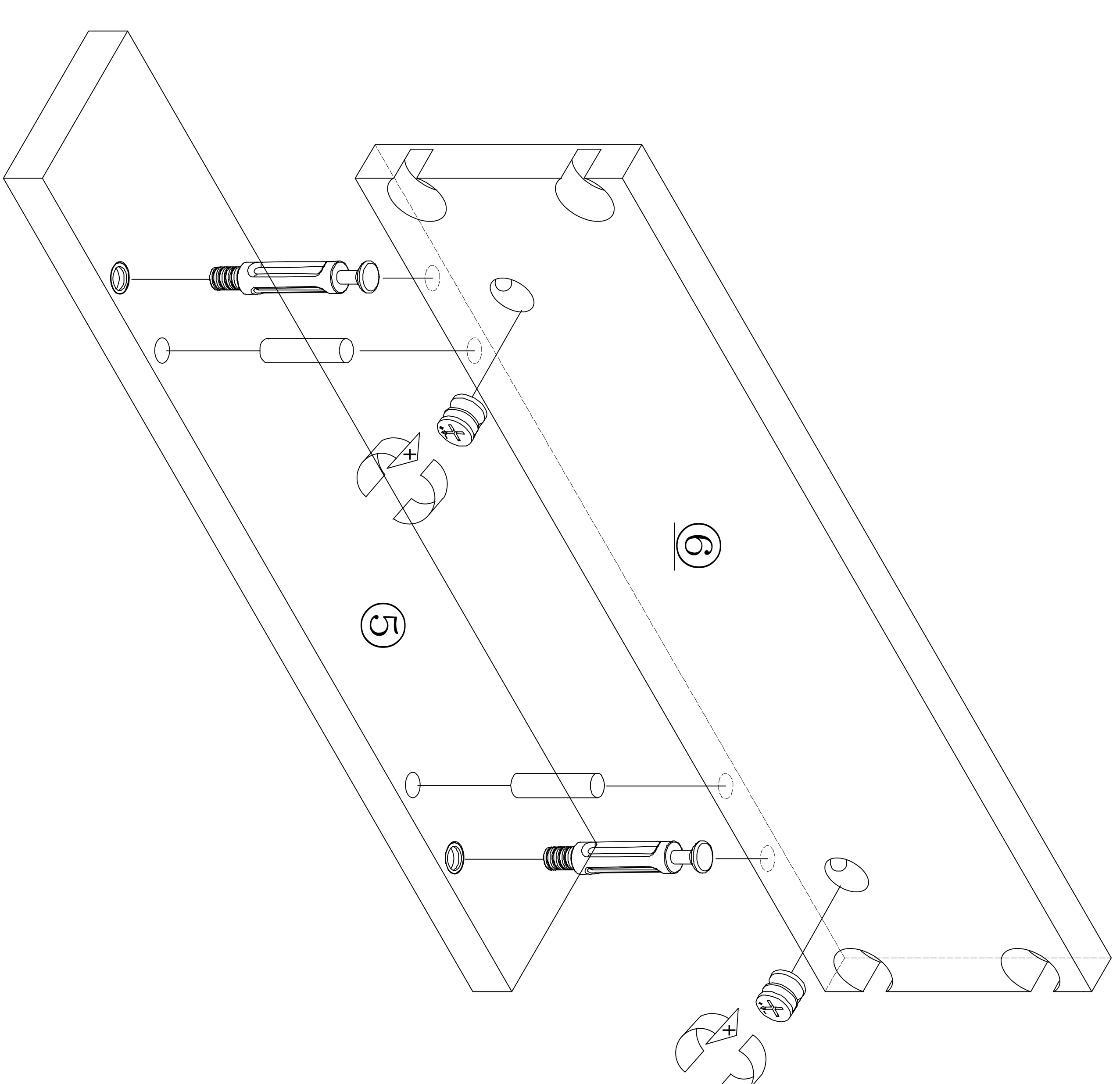


∅18*4mm
=4

1



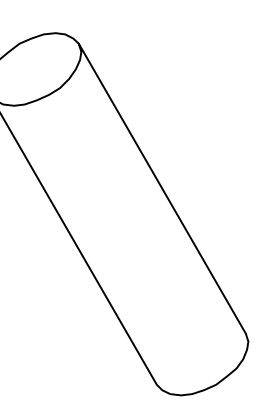
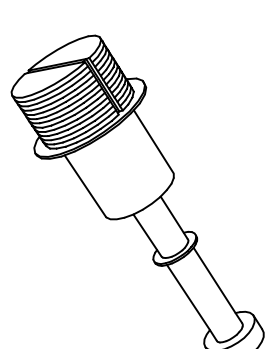
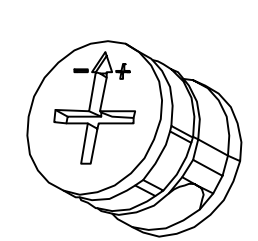
2



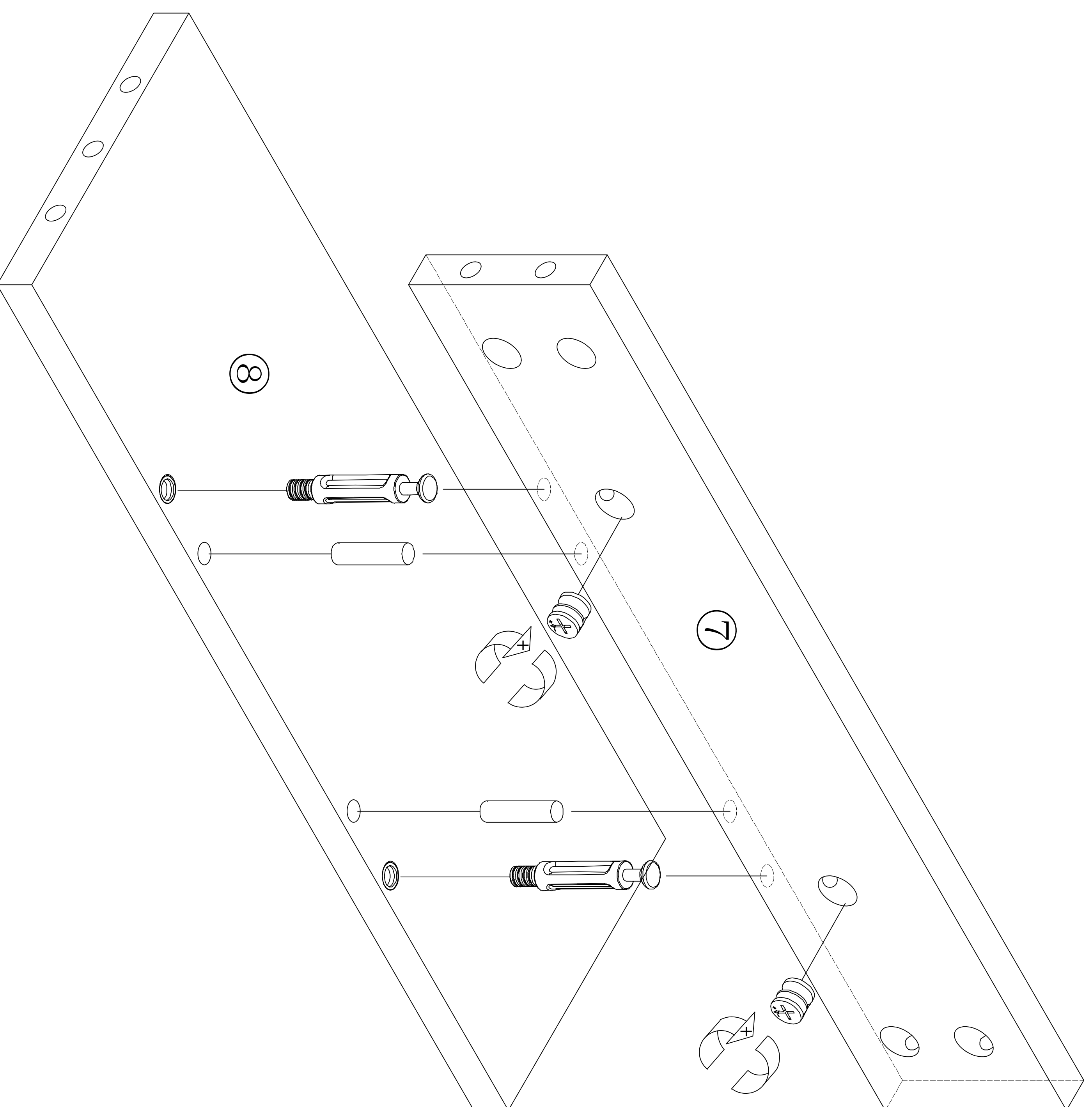
A=2*

V=2*

C=2*



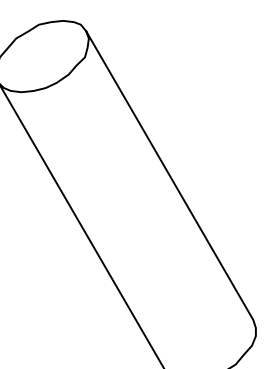
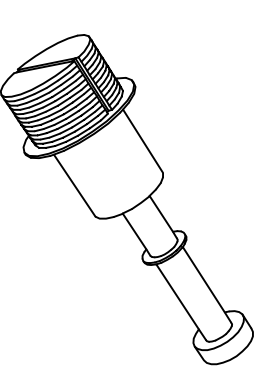
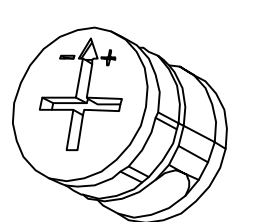
3



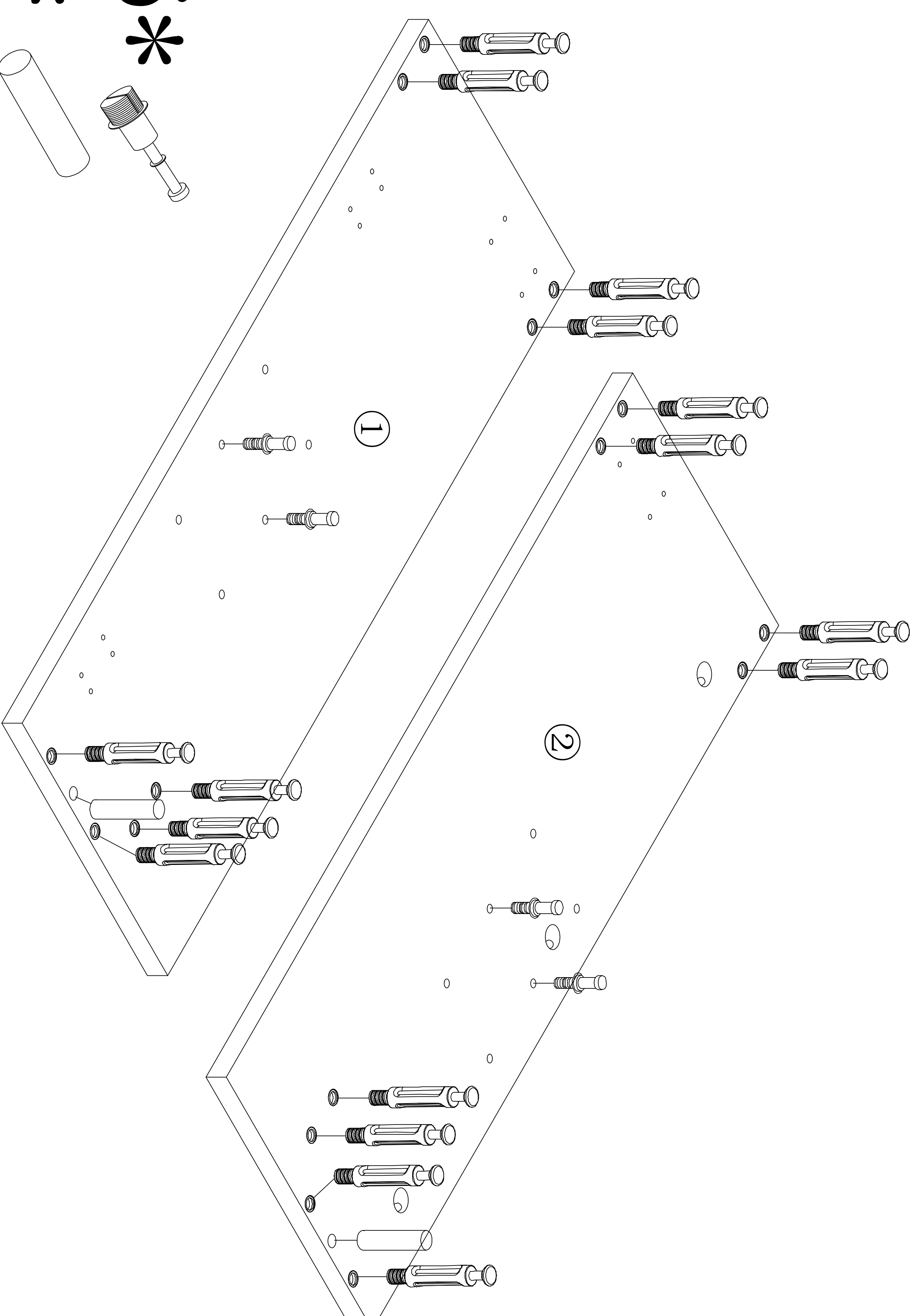
A=2*

V=2*

C=2*



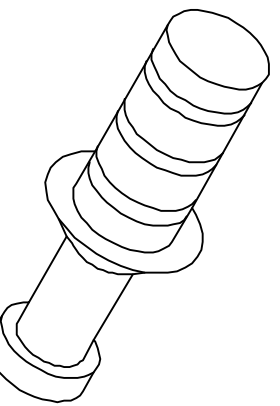
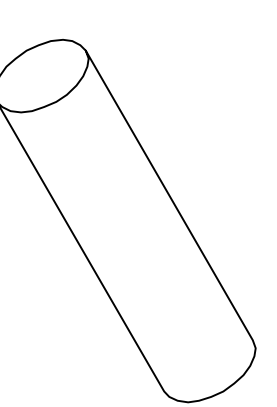
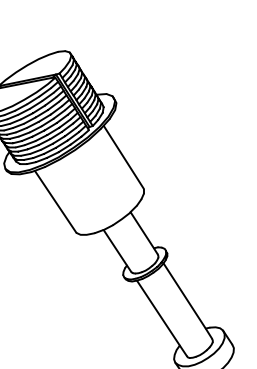
4



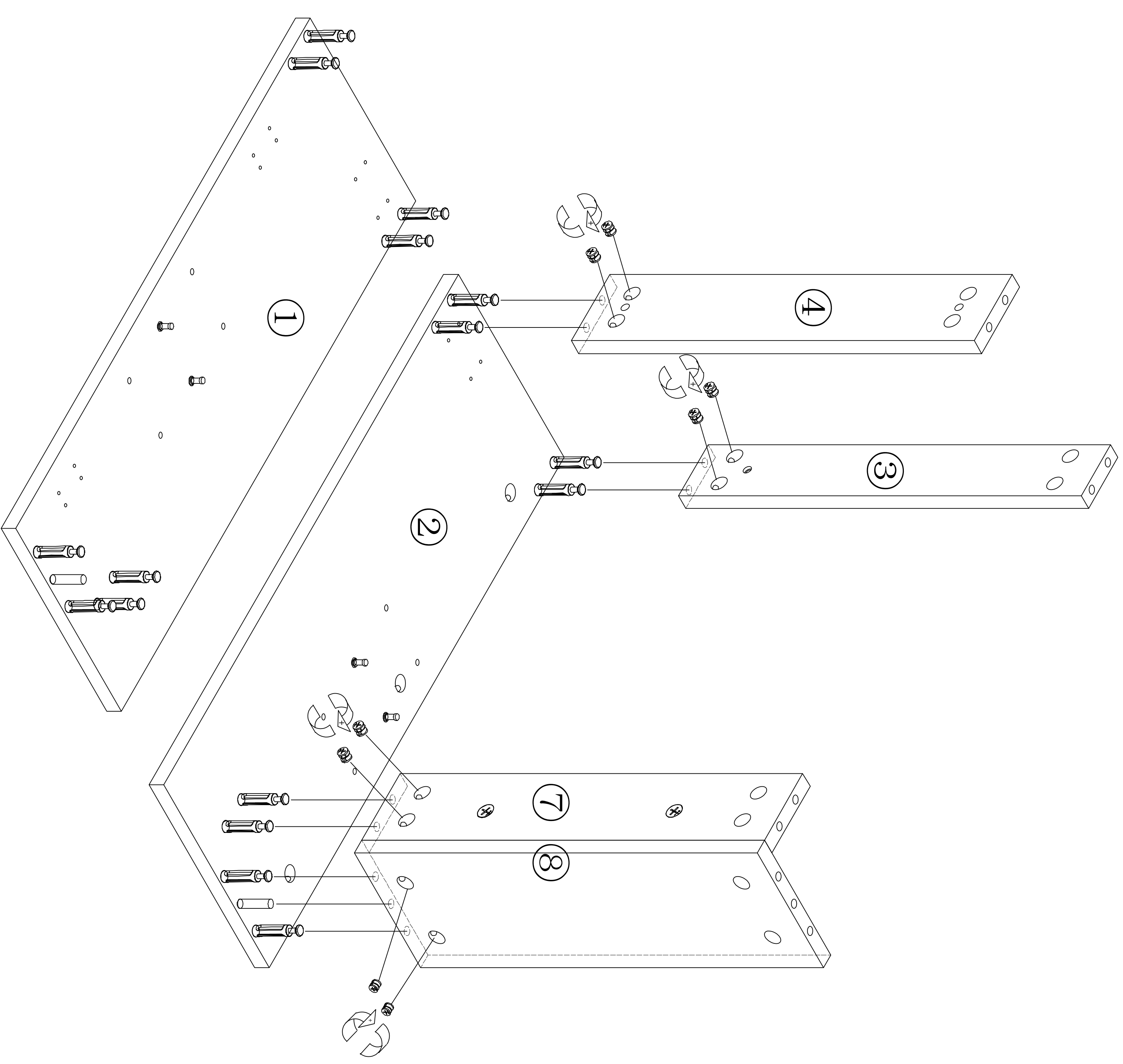
V=16*

C=2*

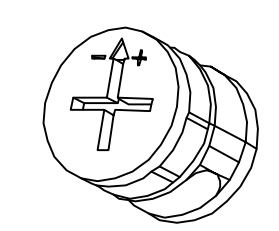
N-N=4*



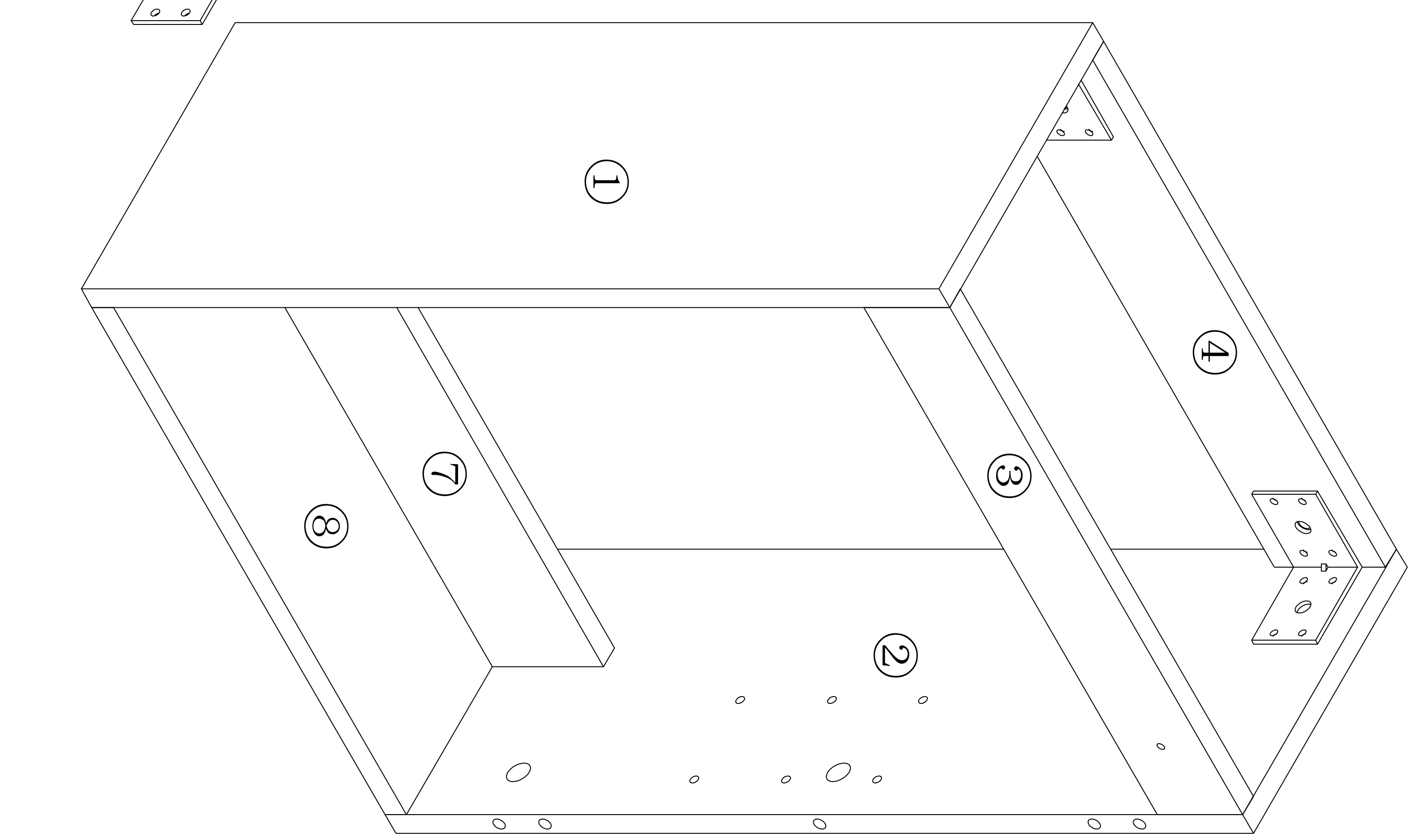
5



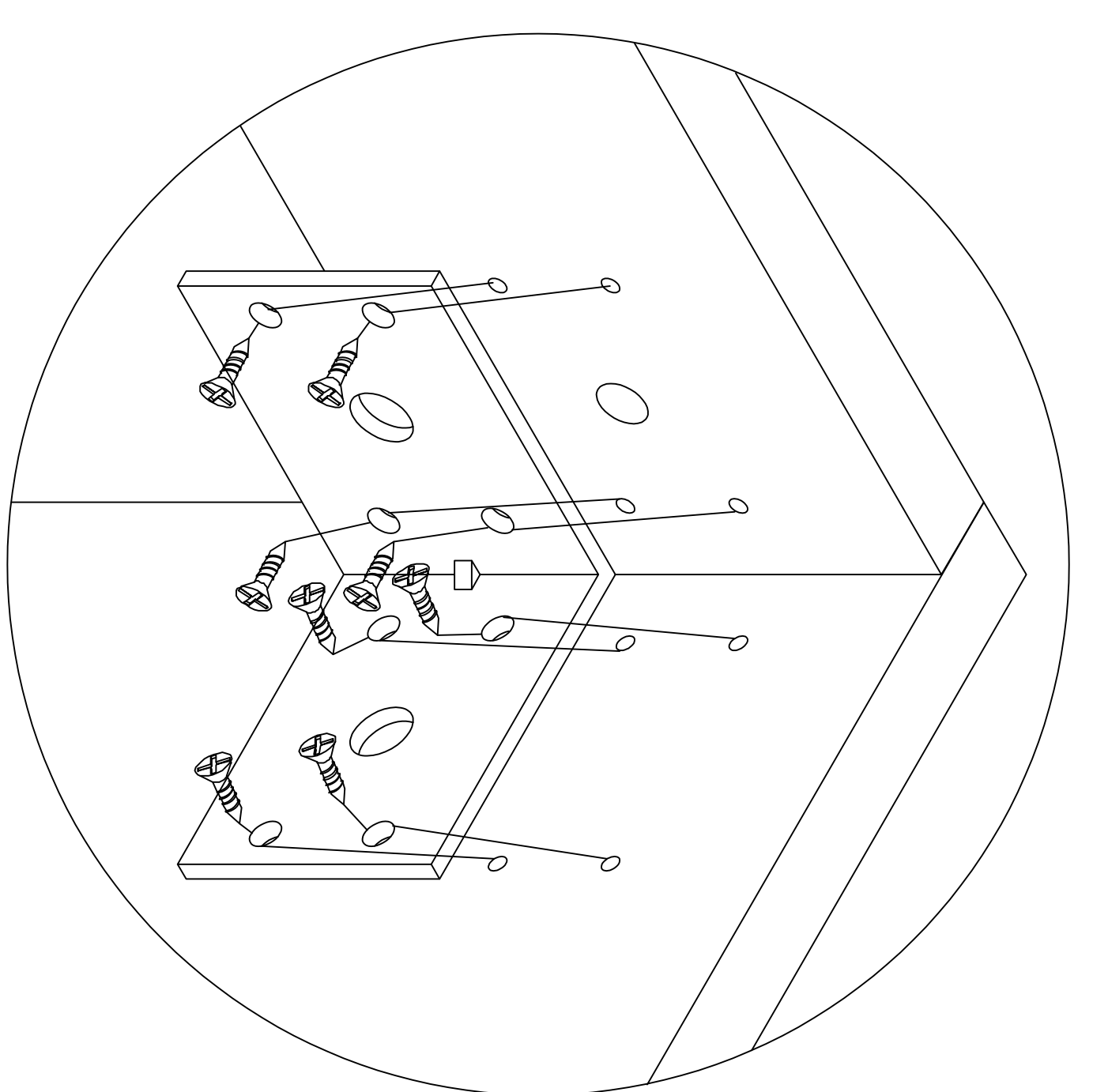
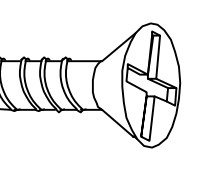
A=8*



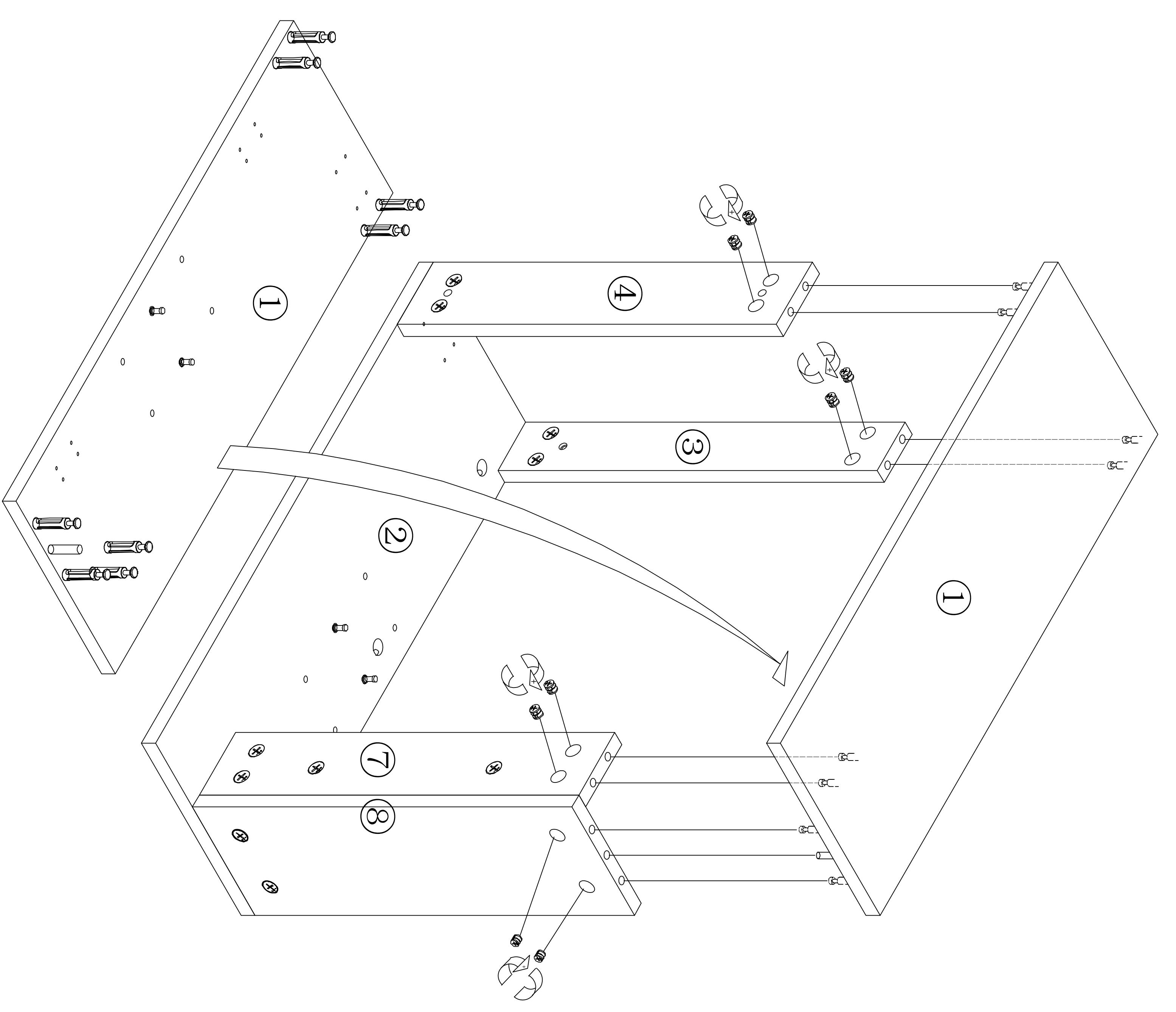
7



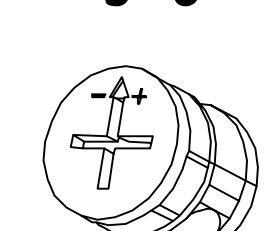
H-H=2*
I=16*



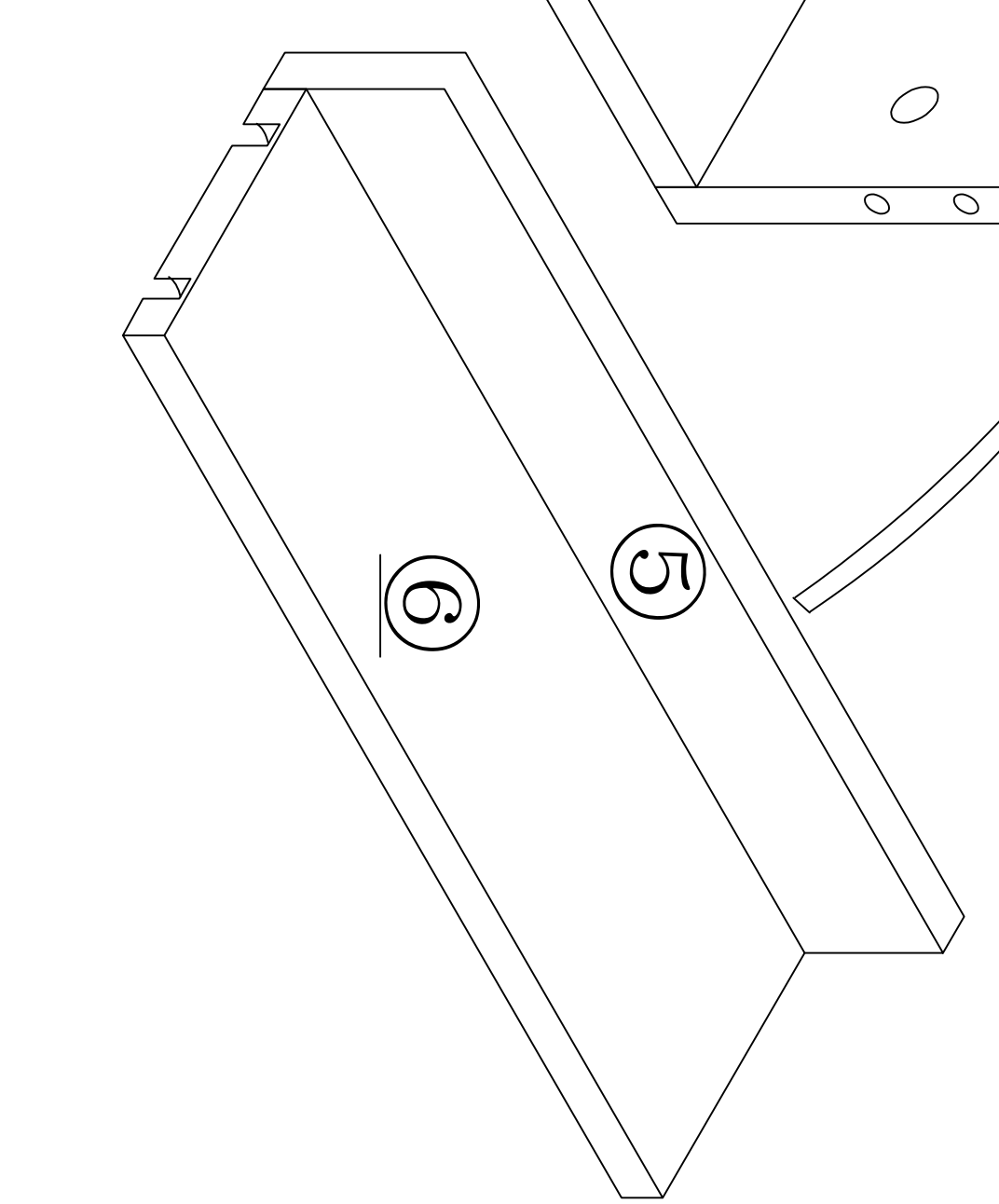
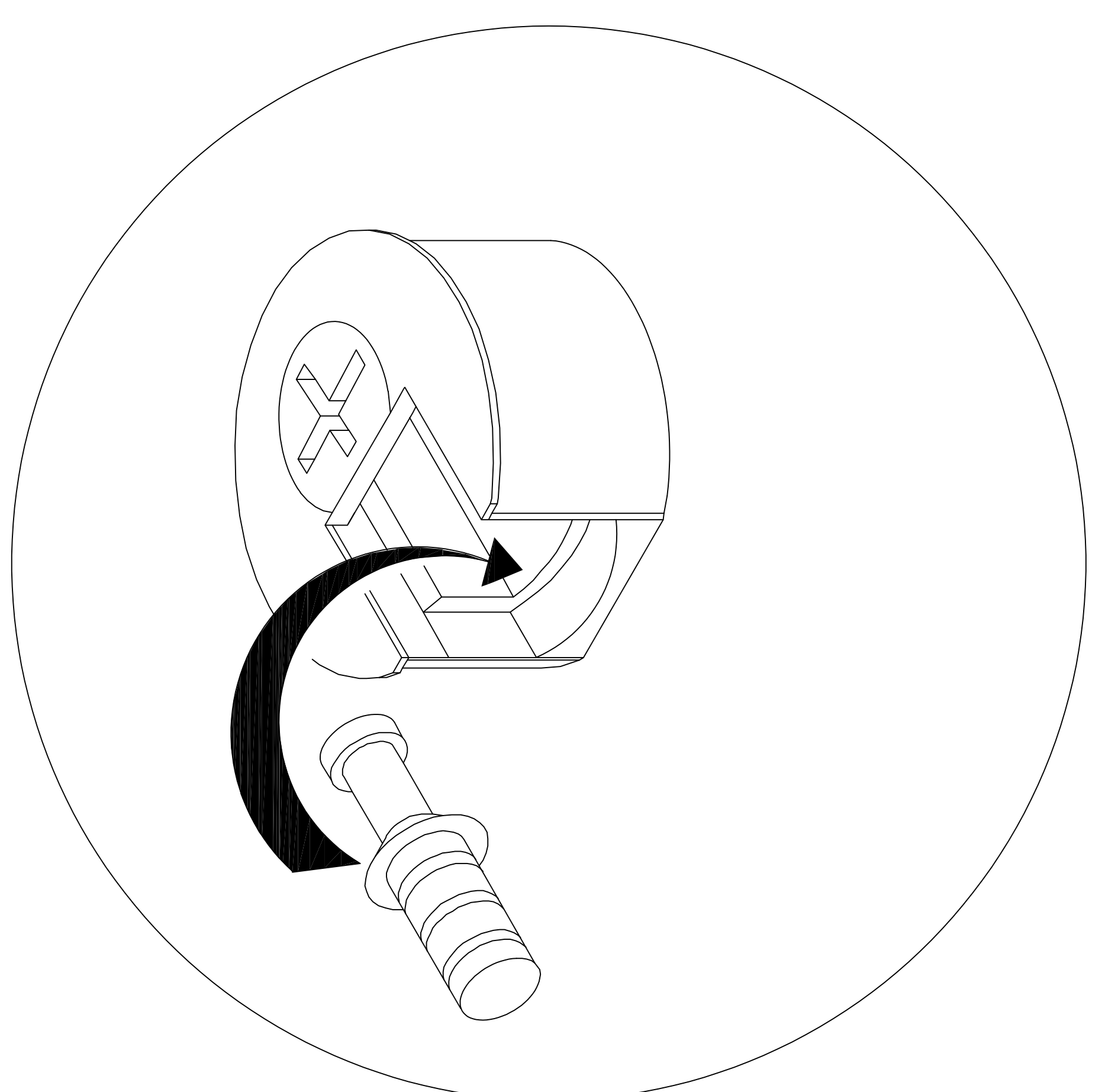
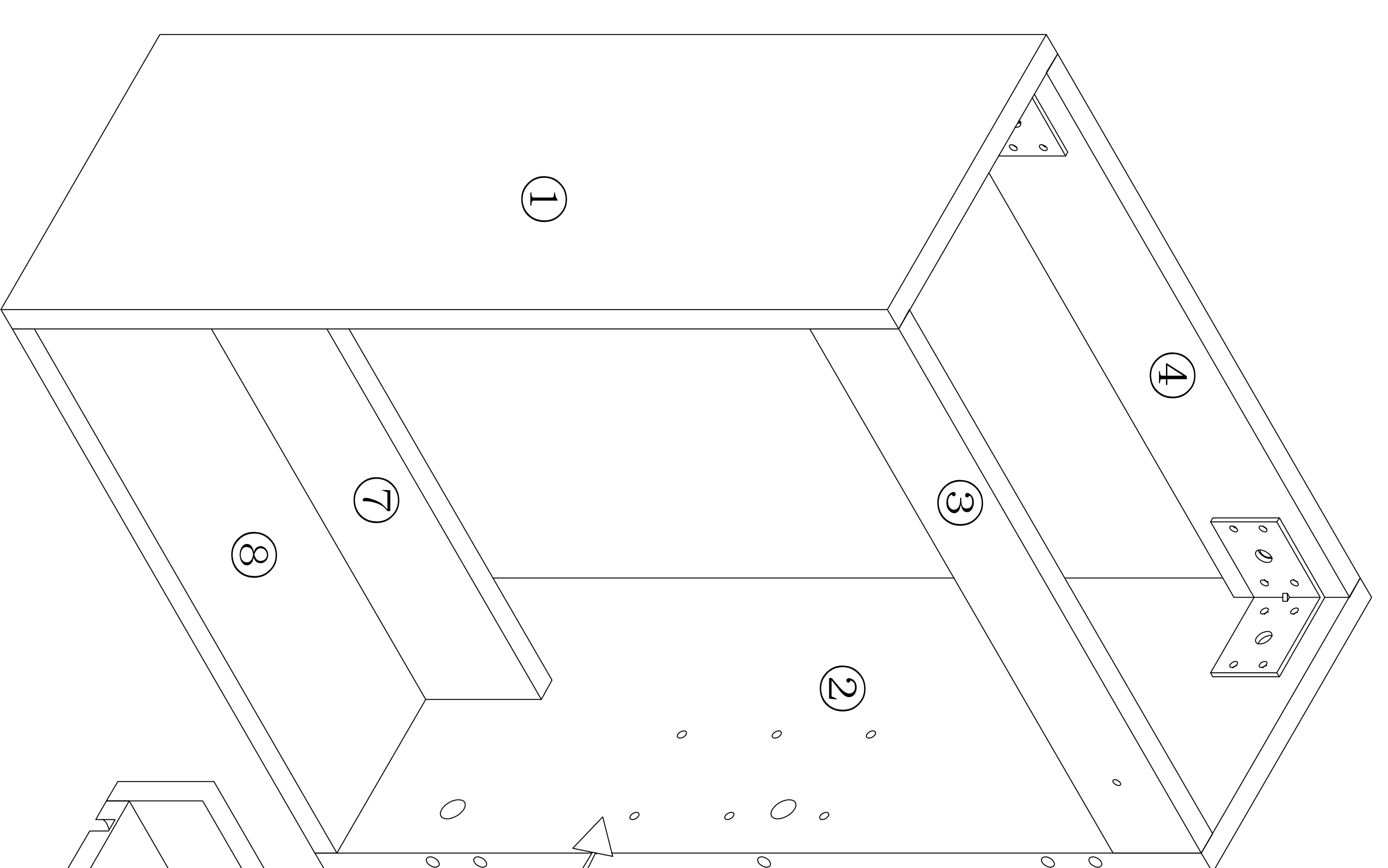
6



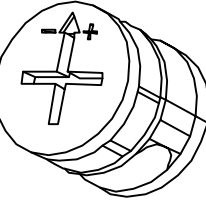
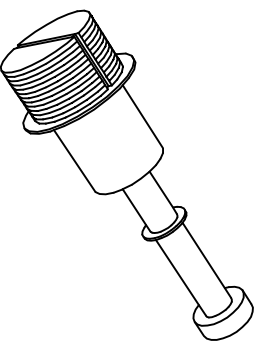
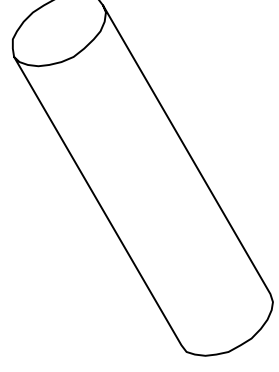
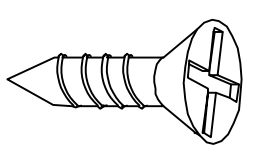
A=8*

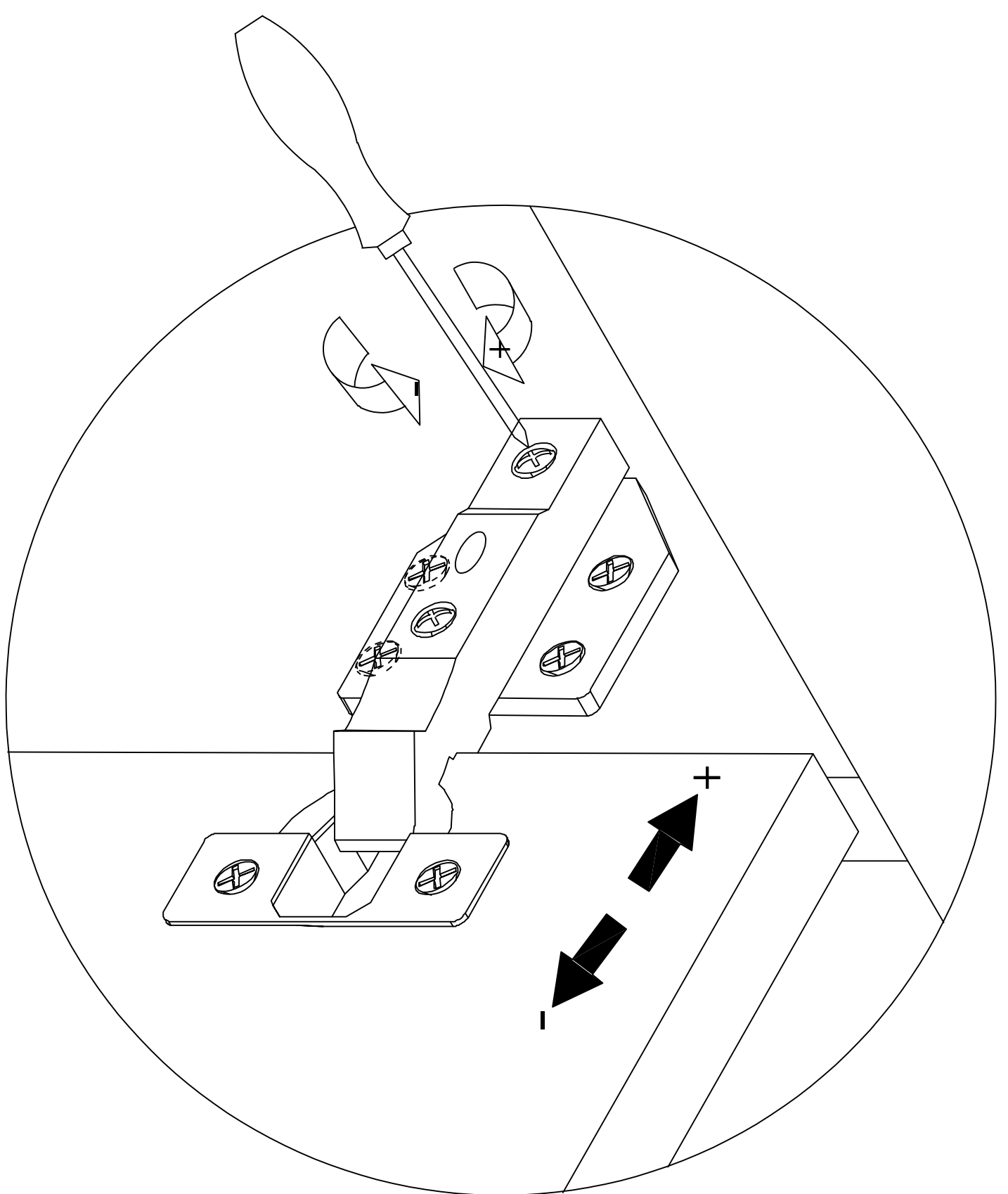
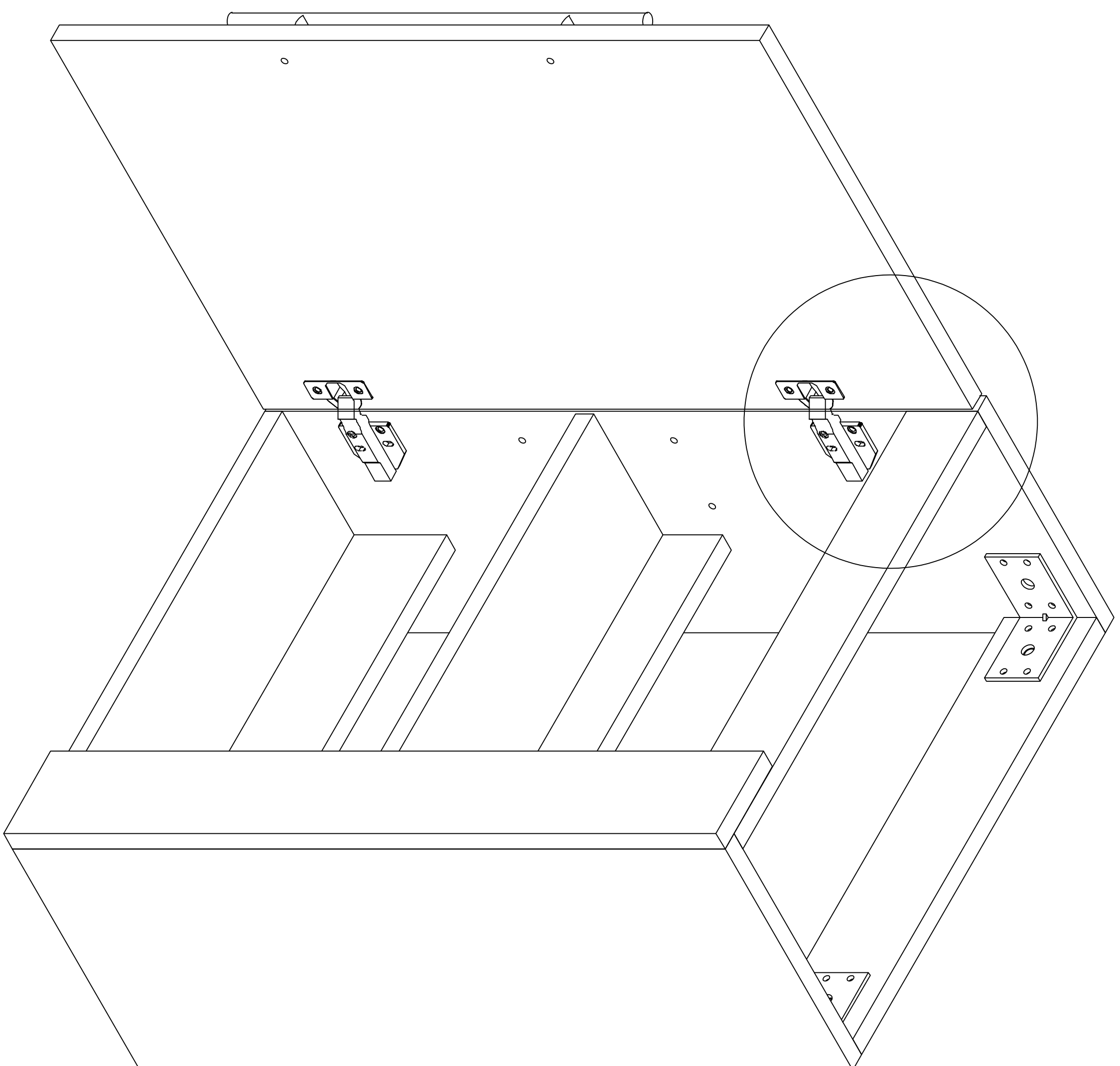
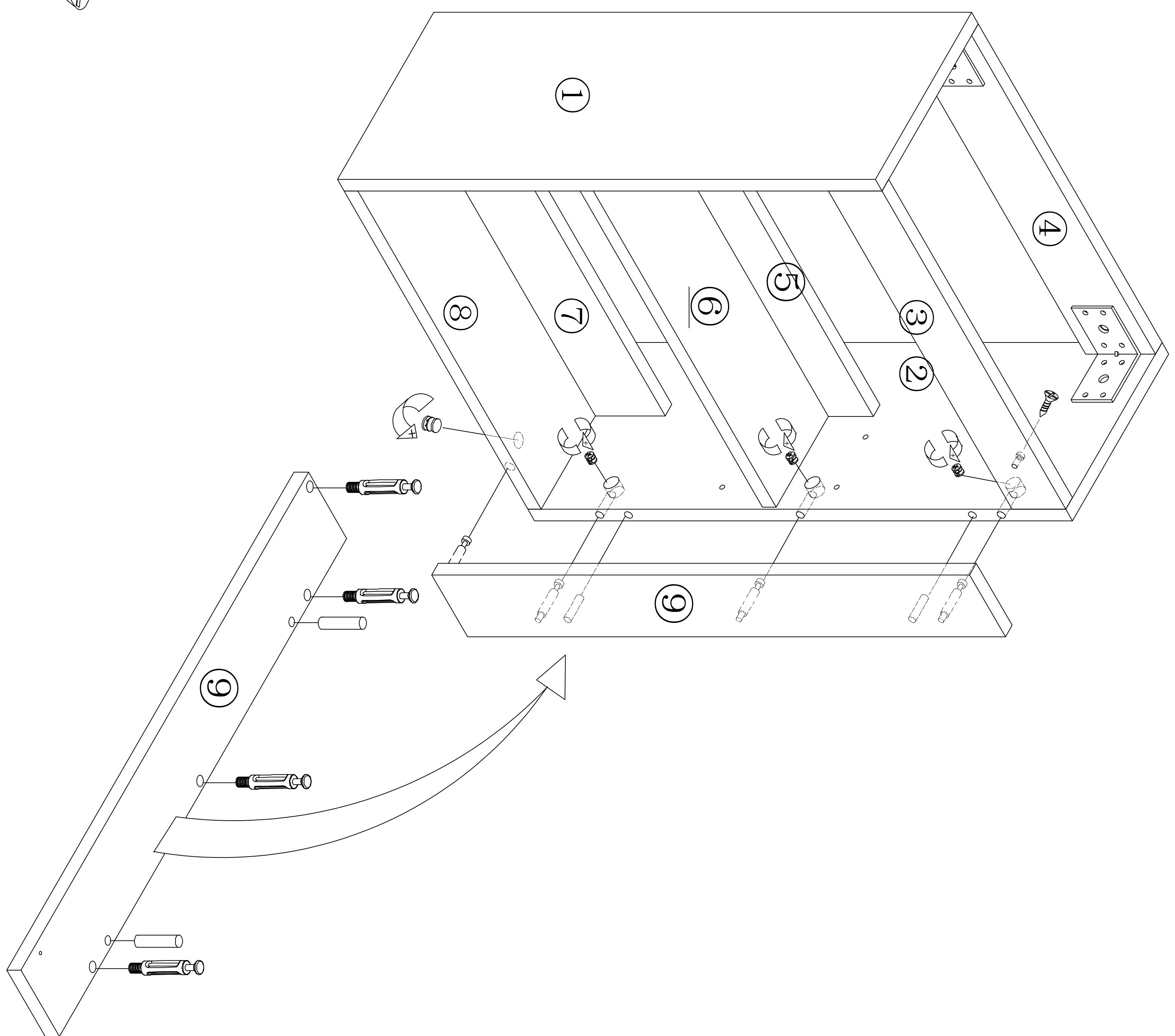


8

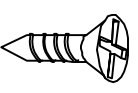
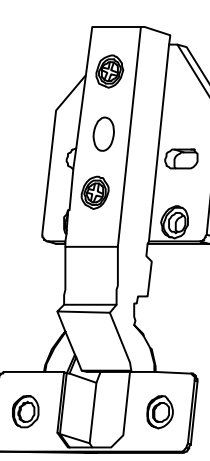
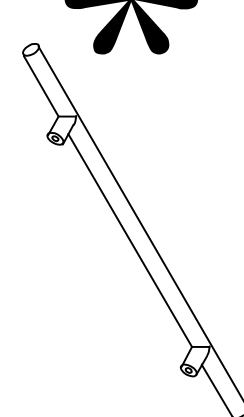
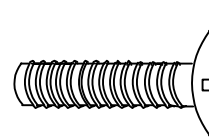


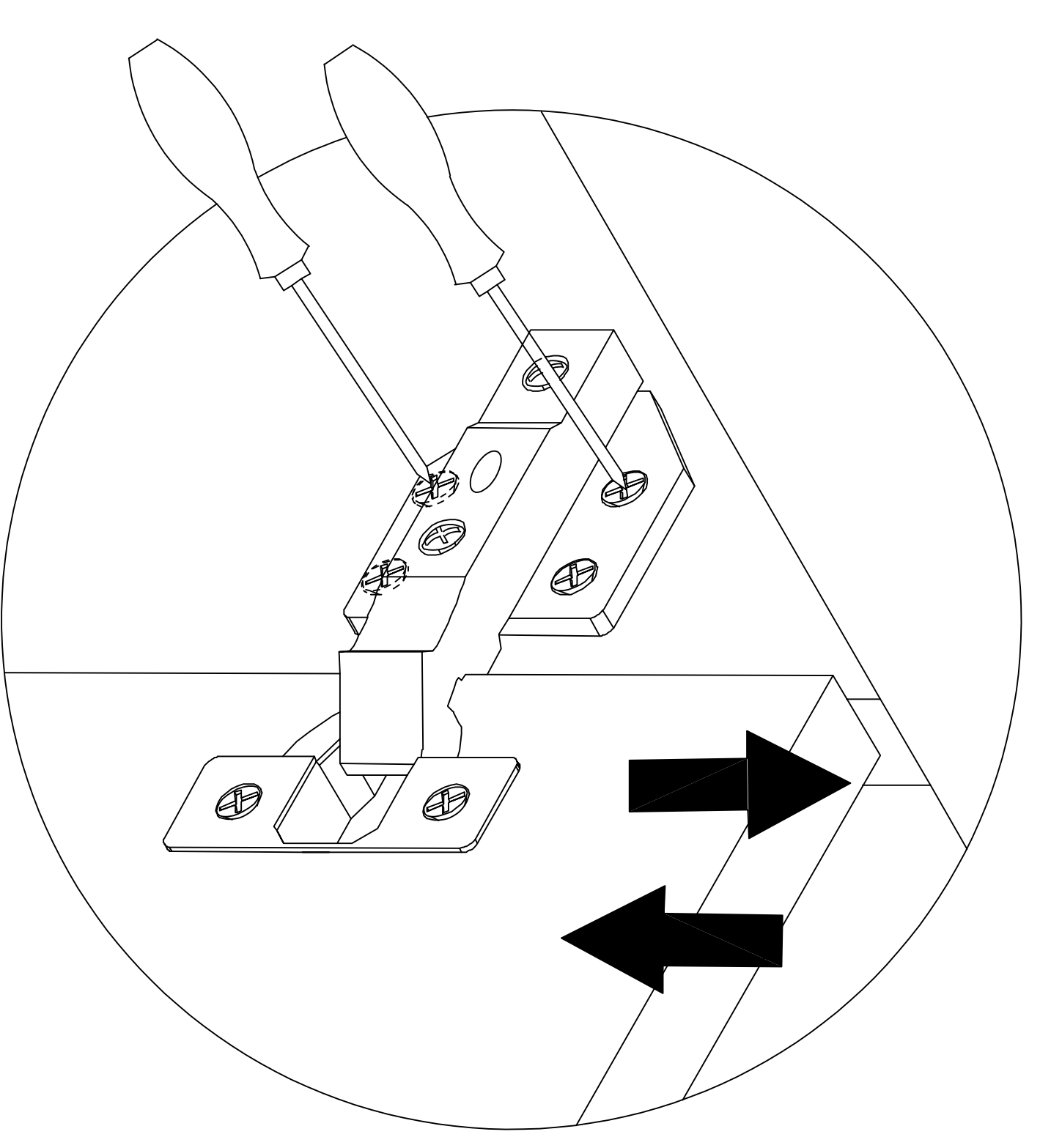
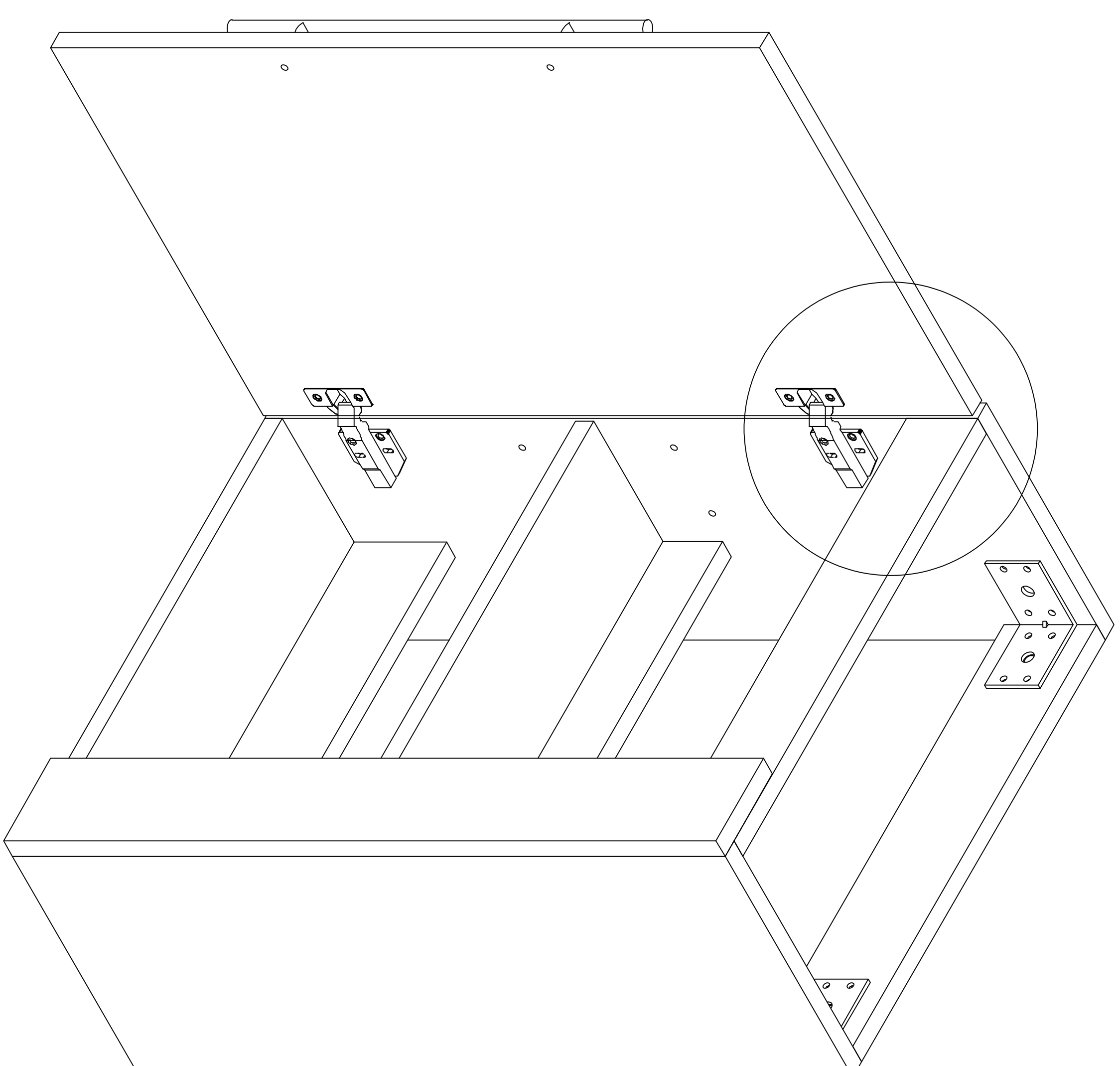
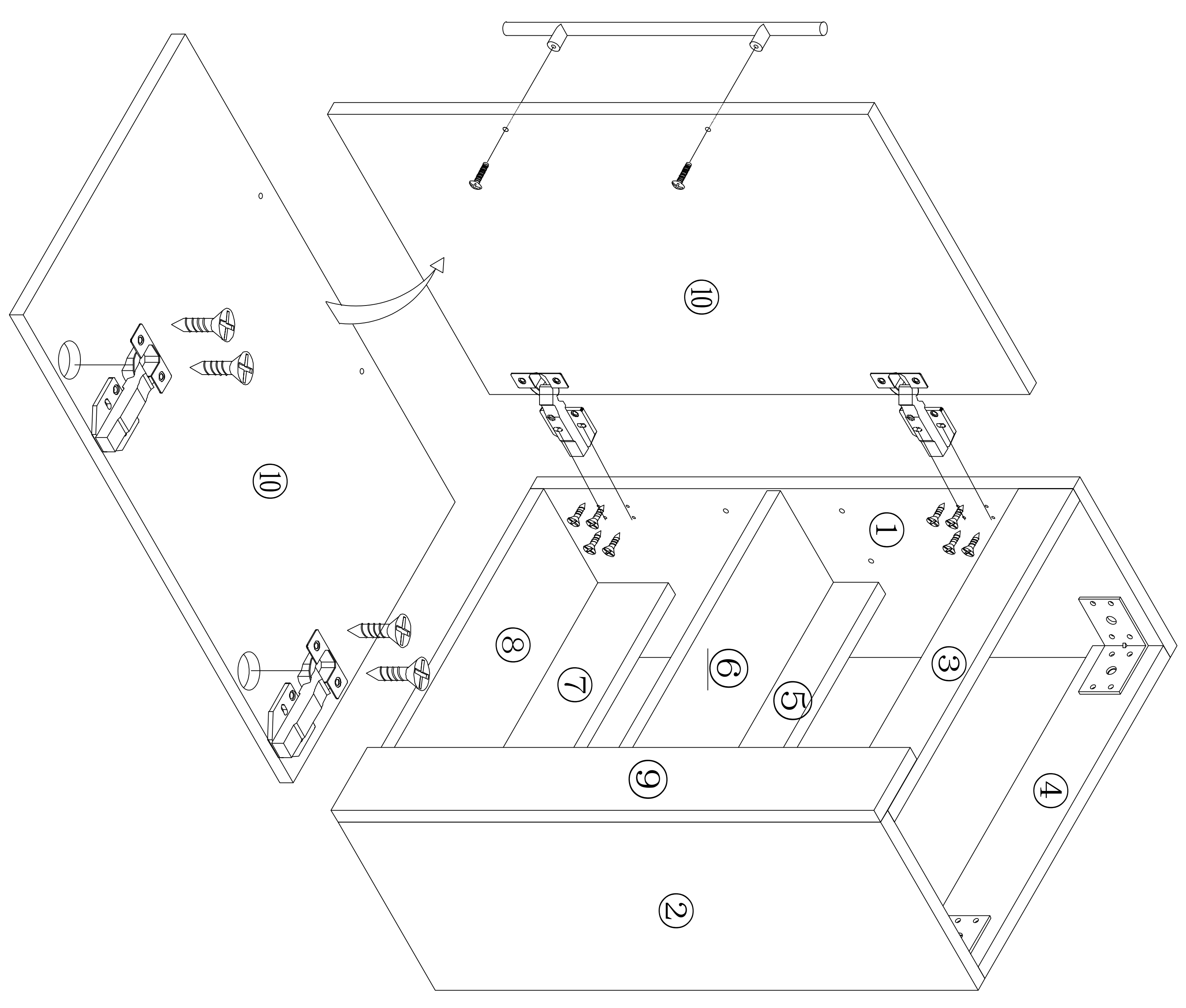
9

- A=4* 
- V=4* 
- C=2* 
- M-M=1* 

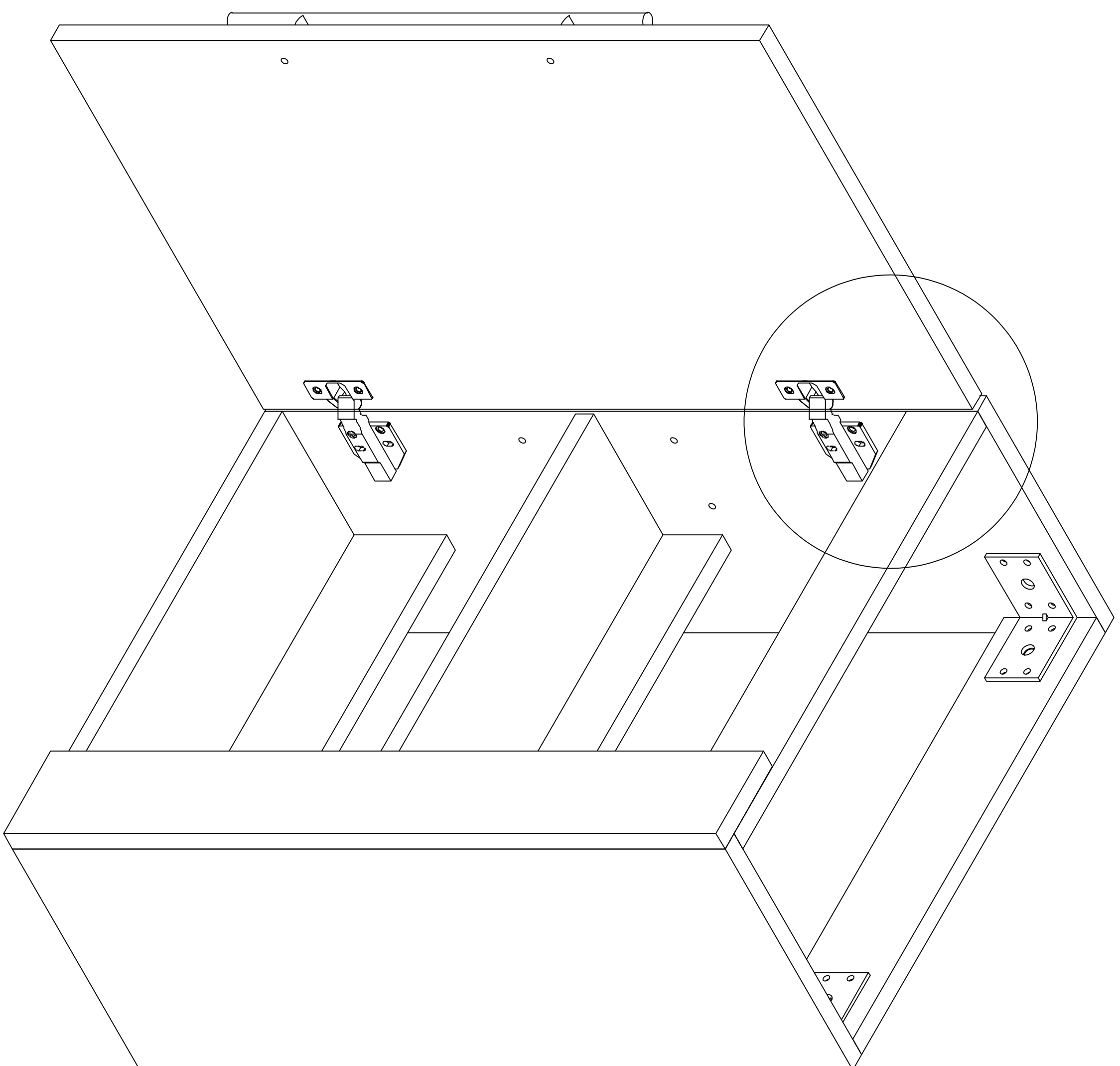


10

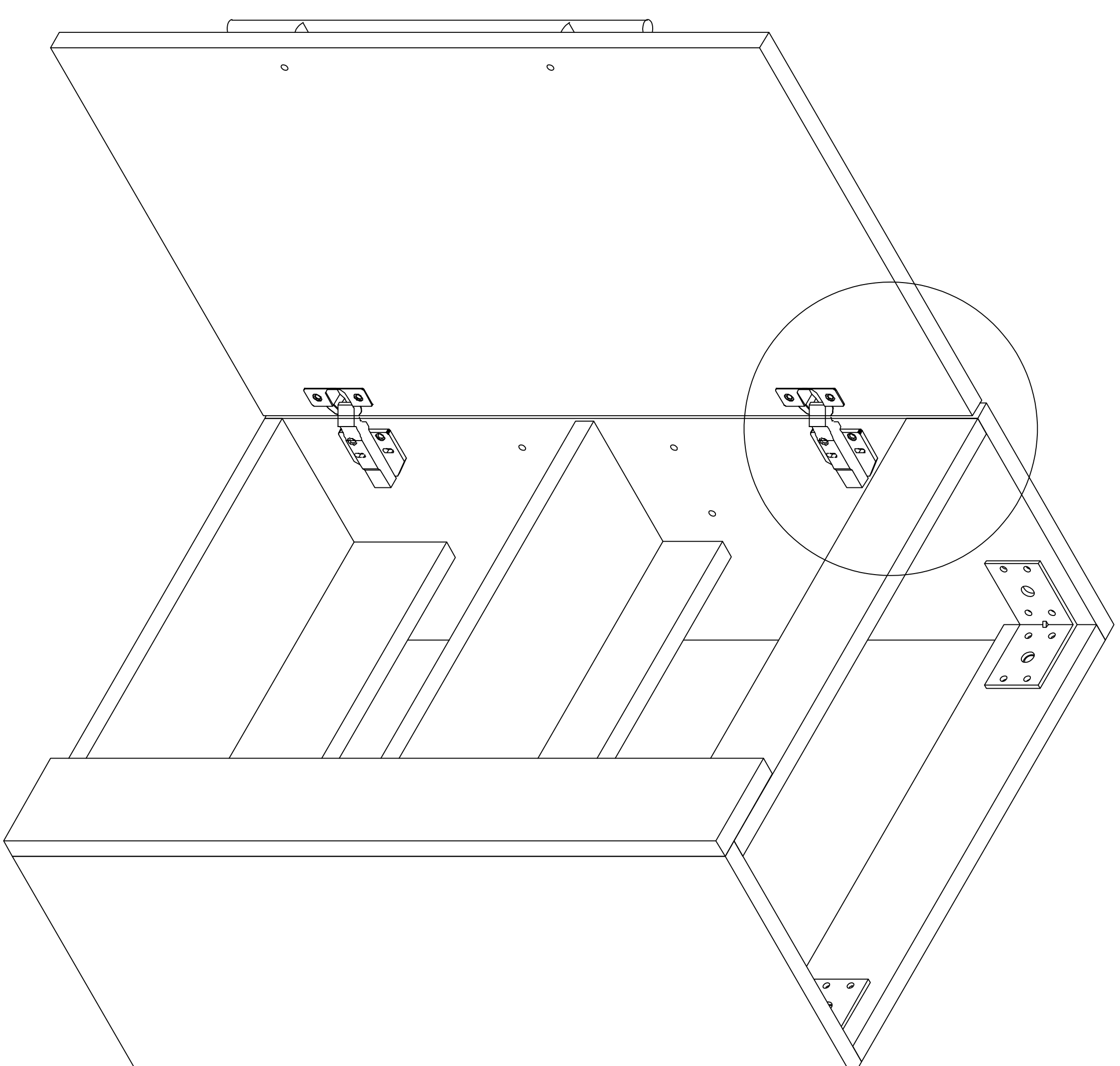
- I=12* 
- G=2* 
- E-E=1* 
- D=2* 



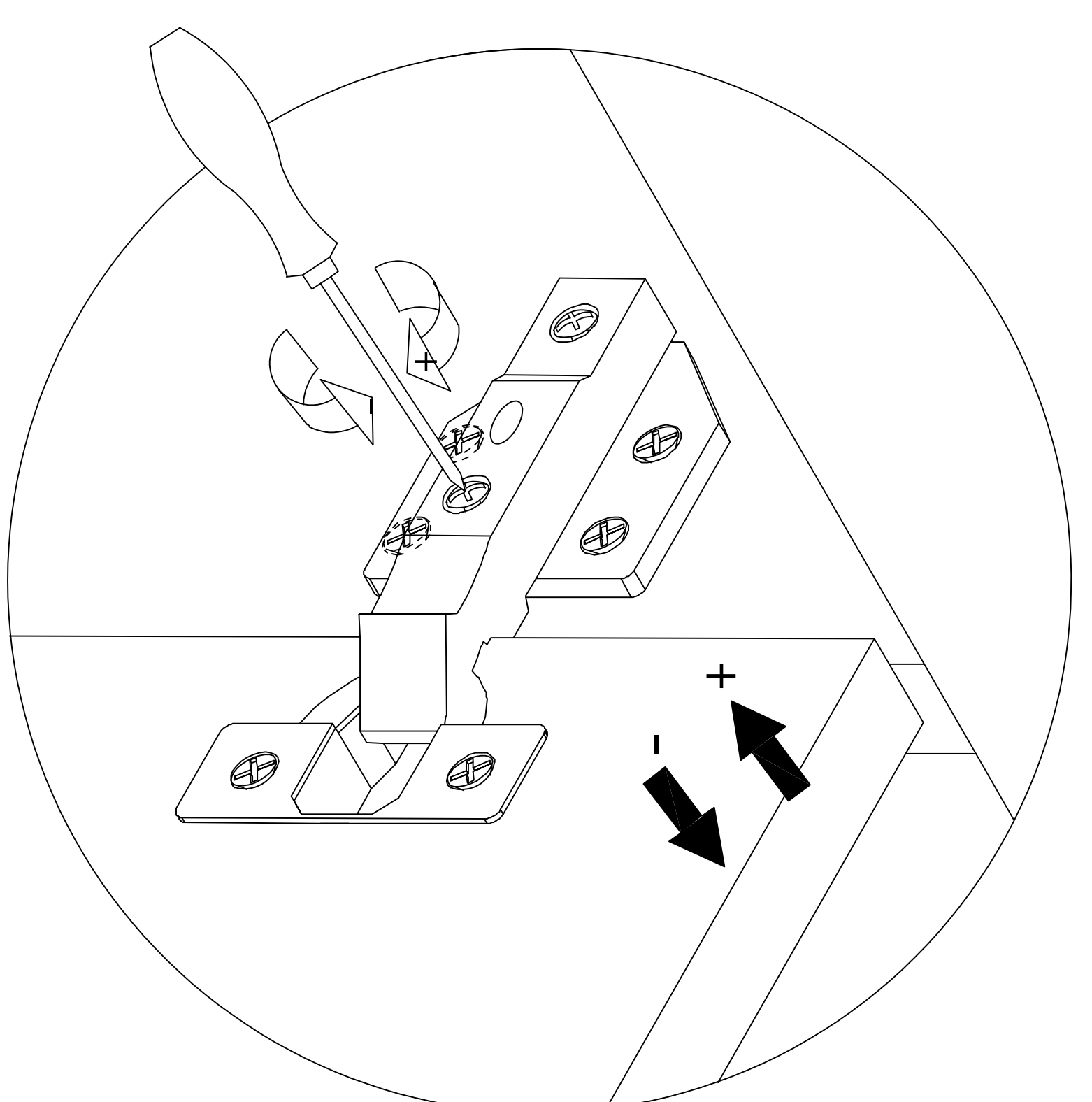
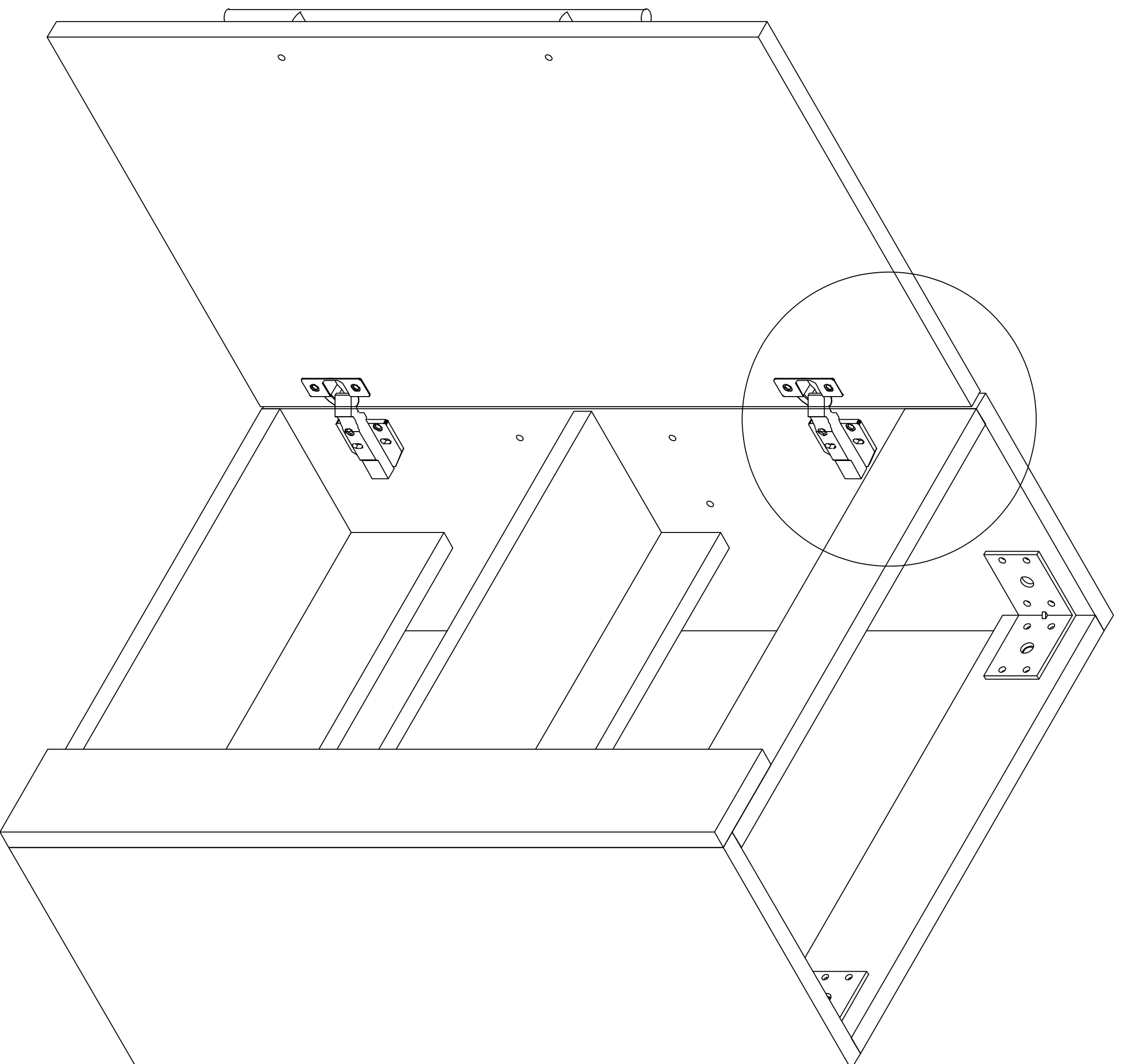
11



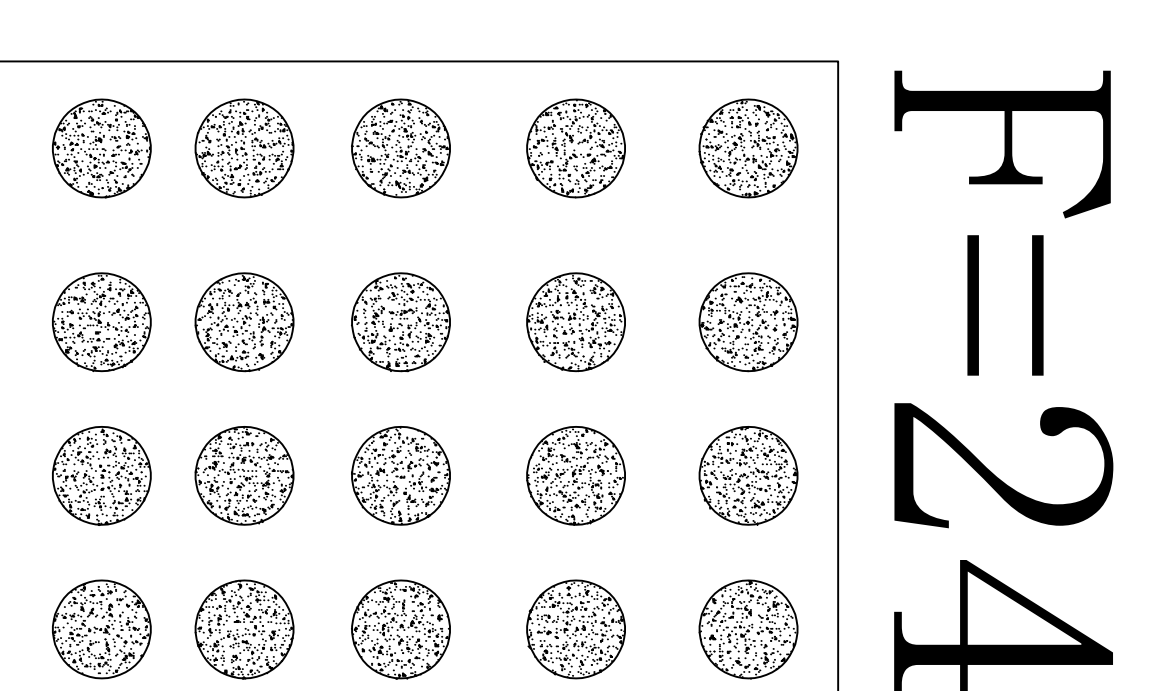
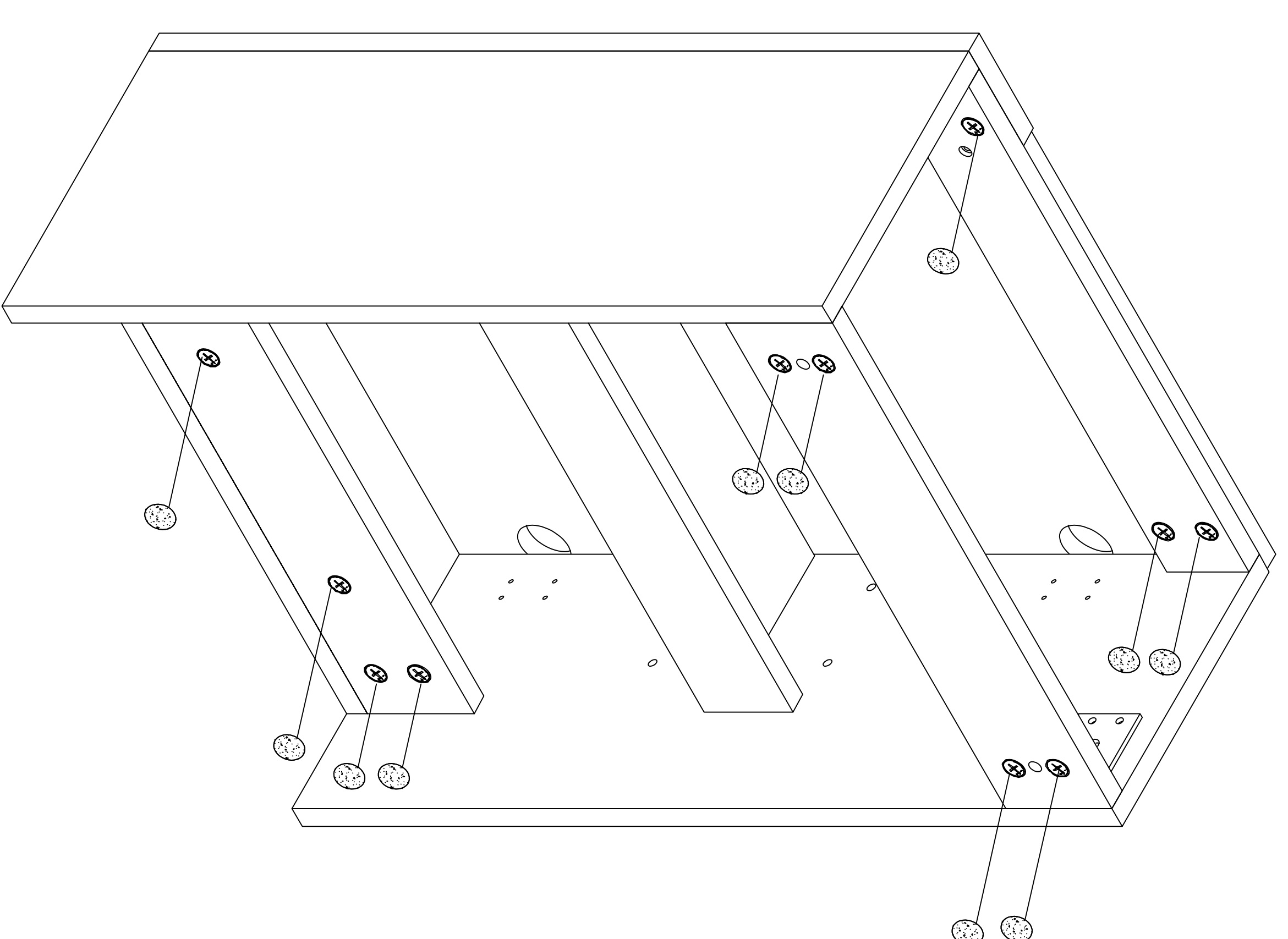
12



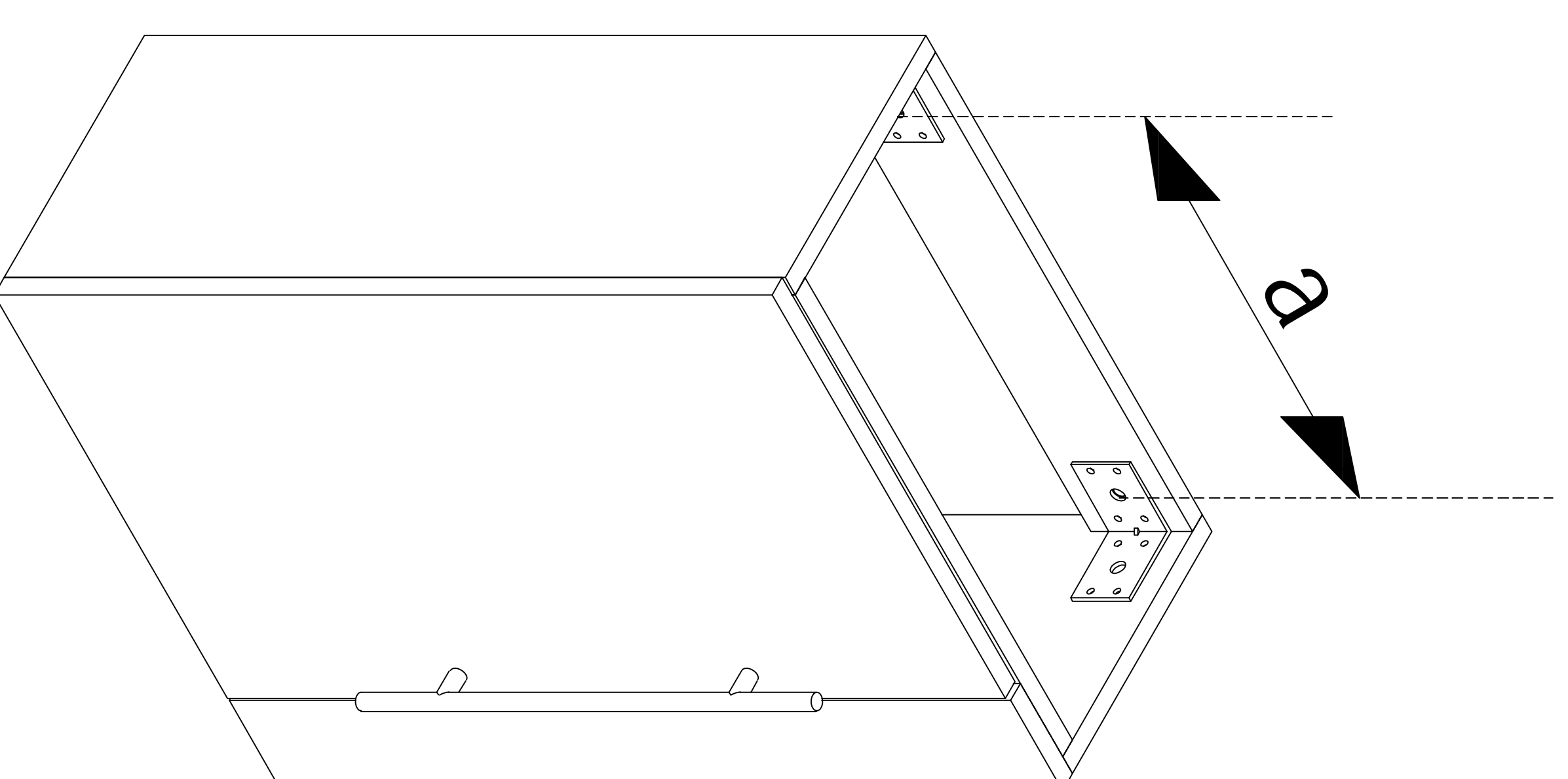
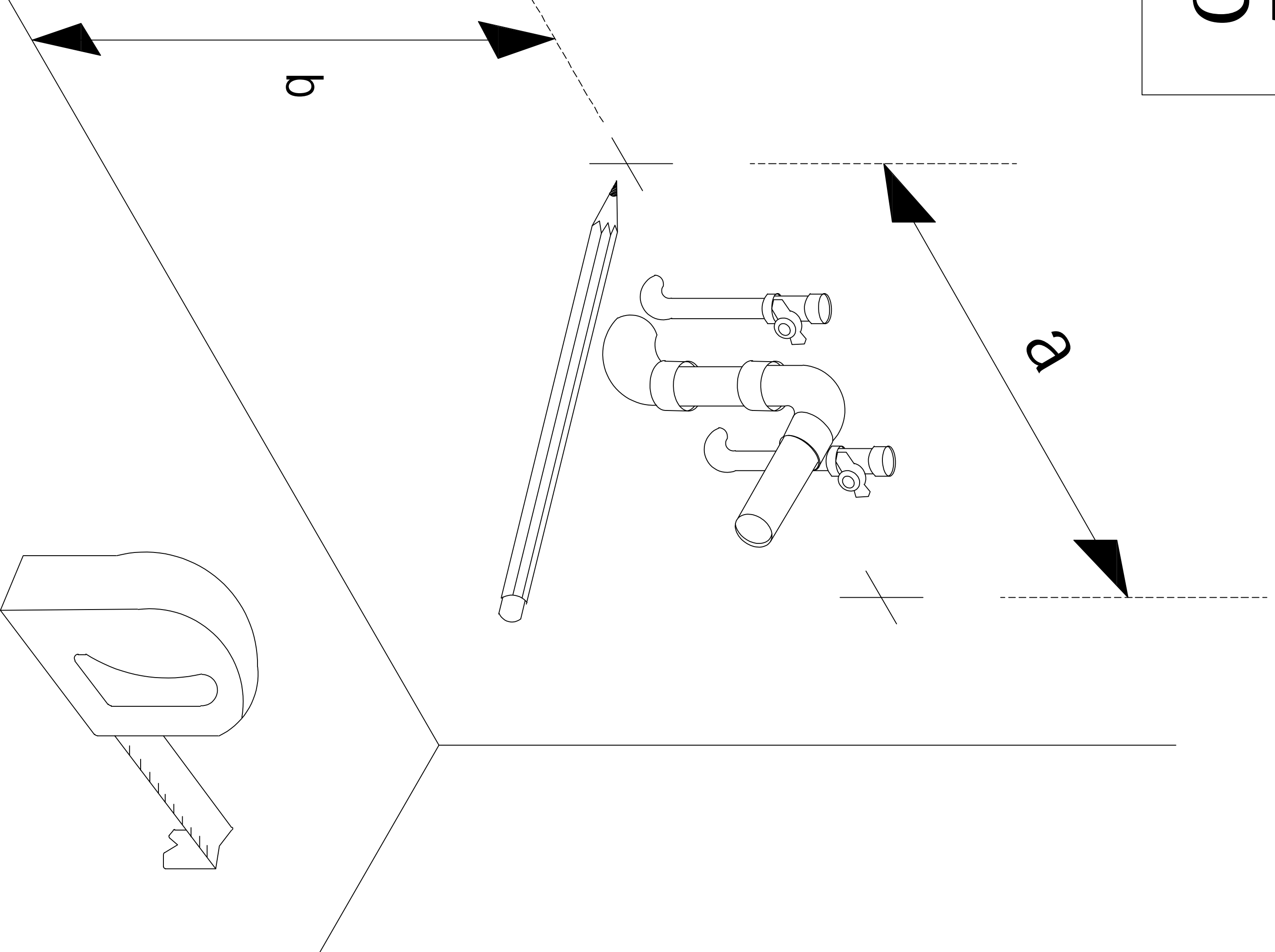
13



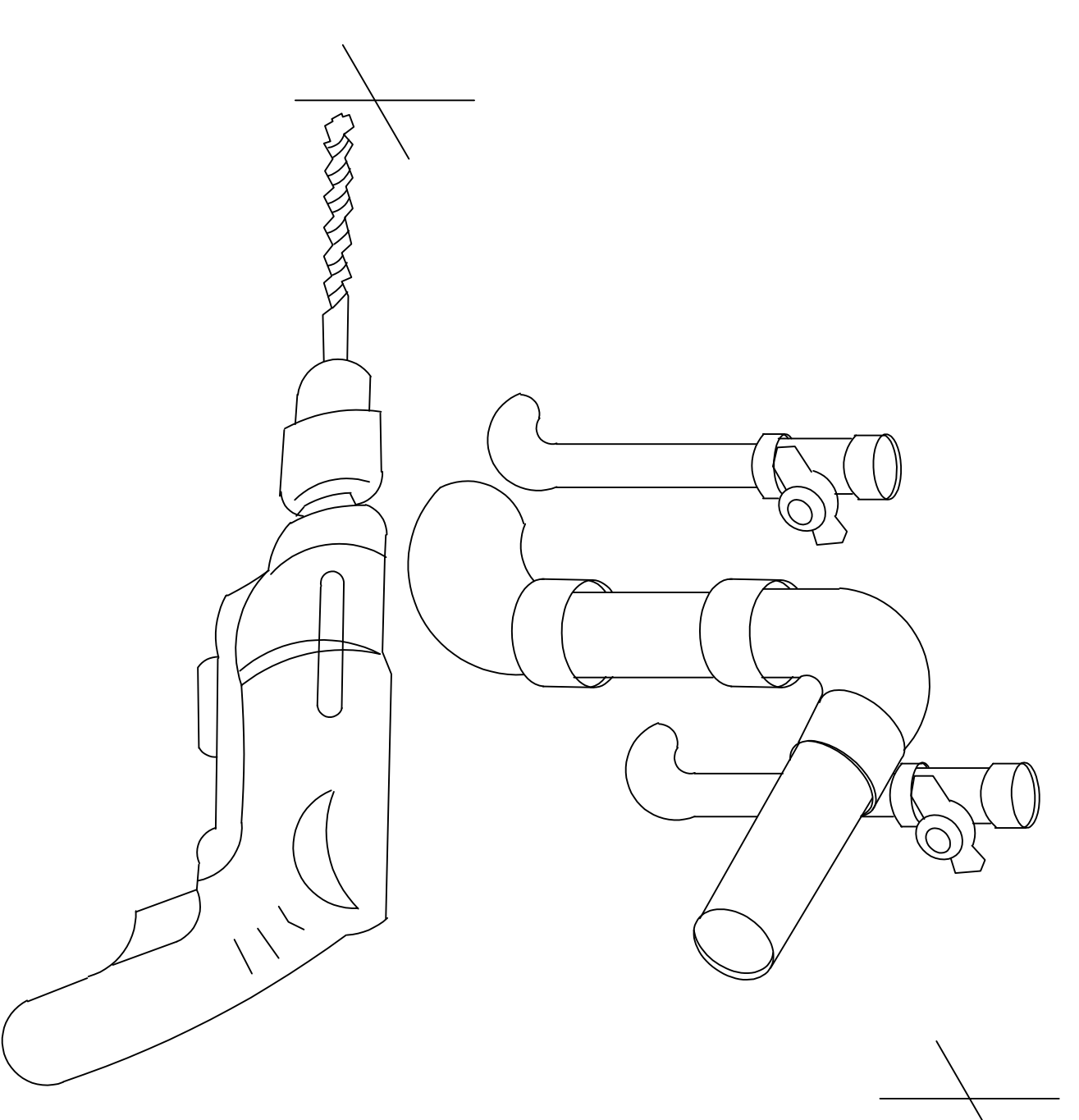
14



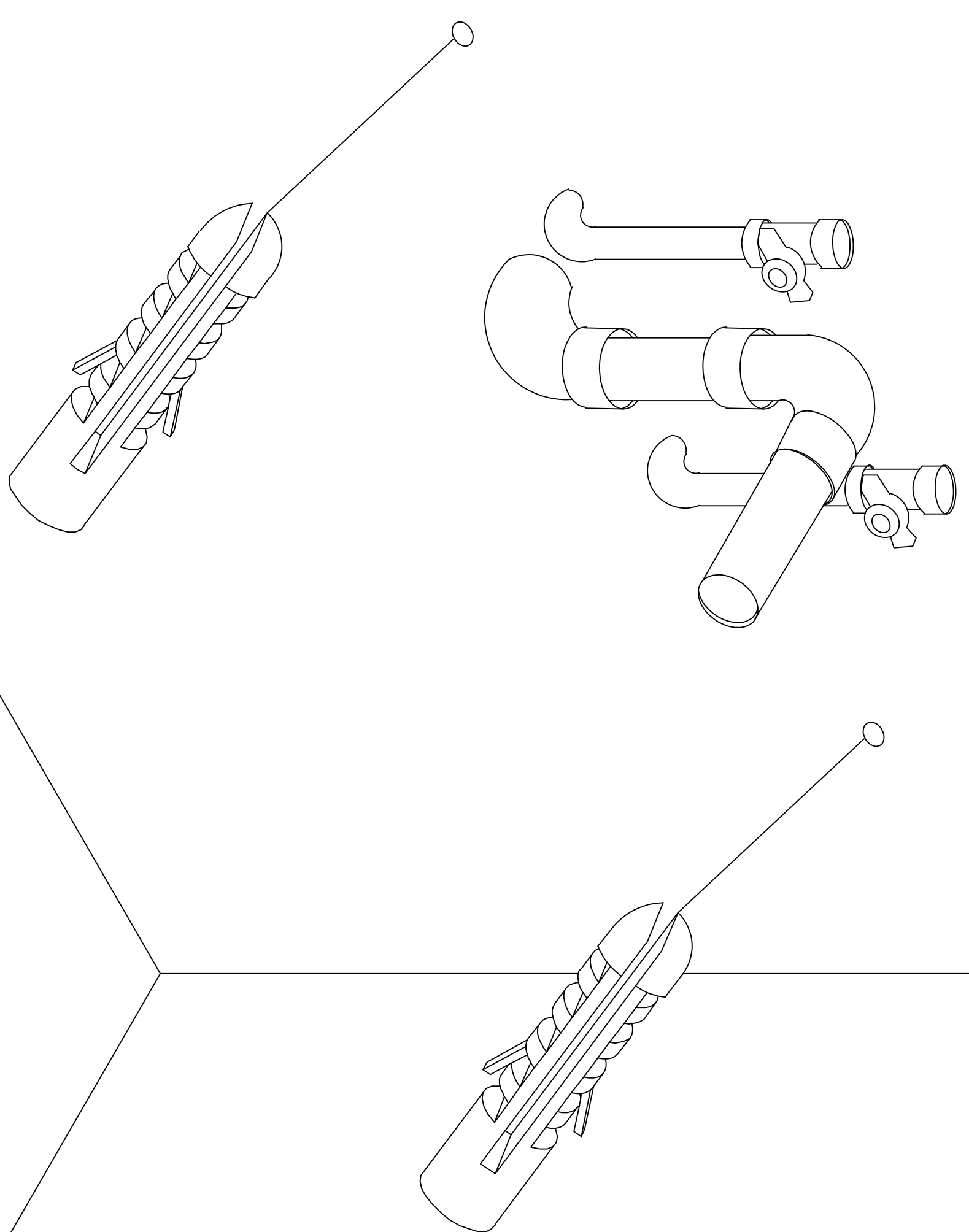
15



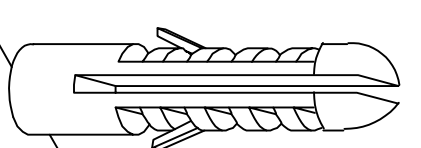
16



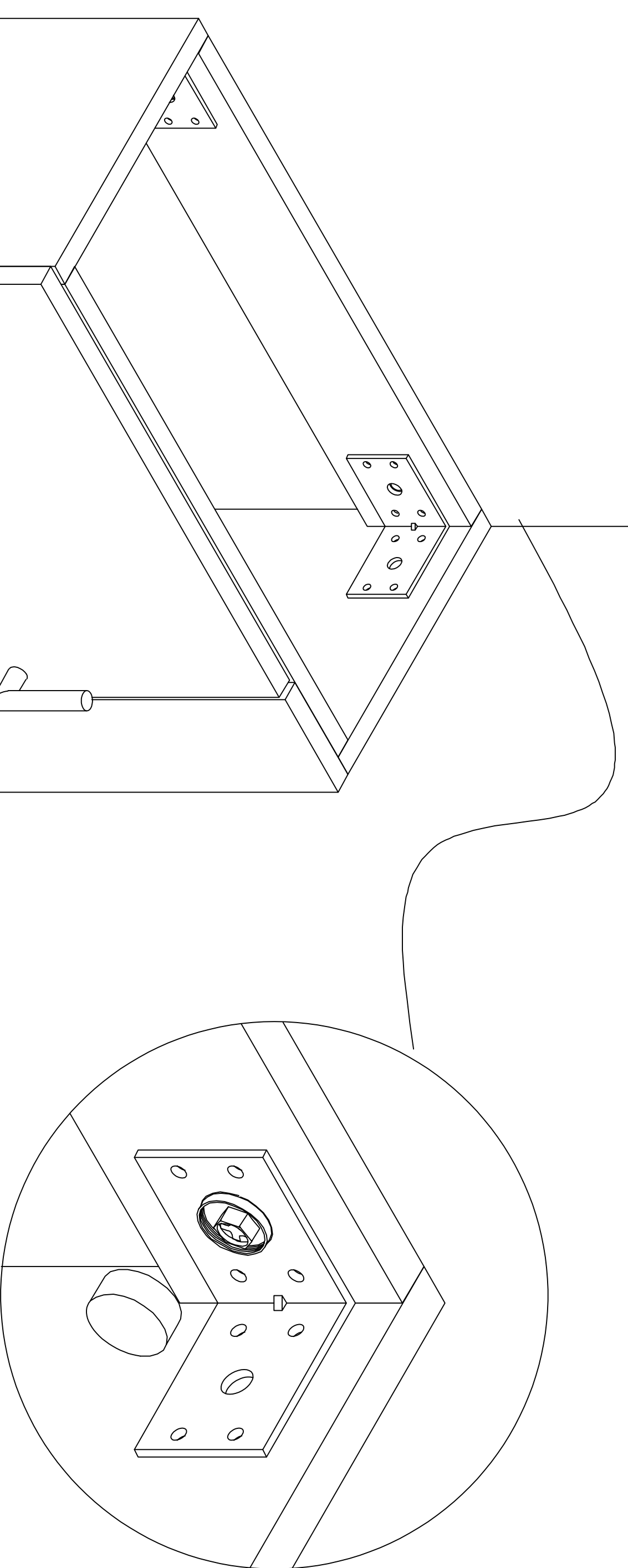
17



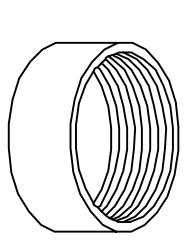
K=2*



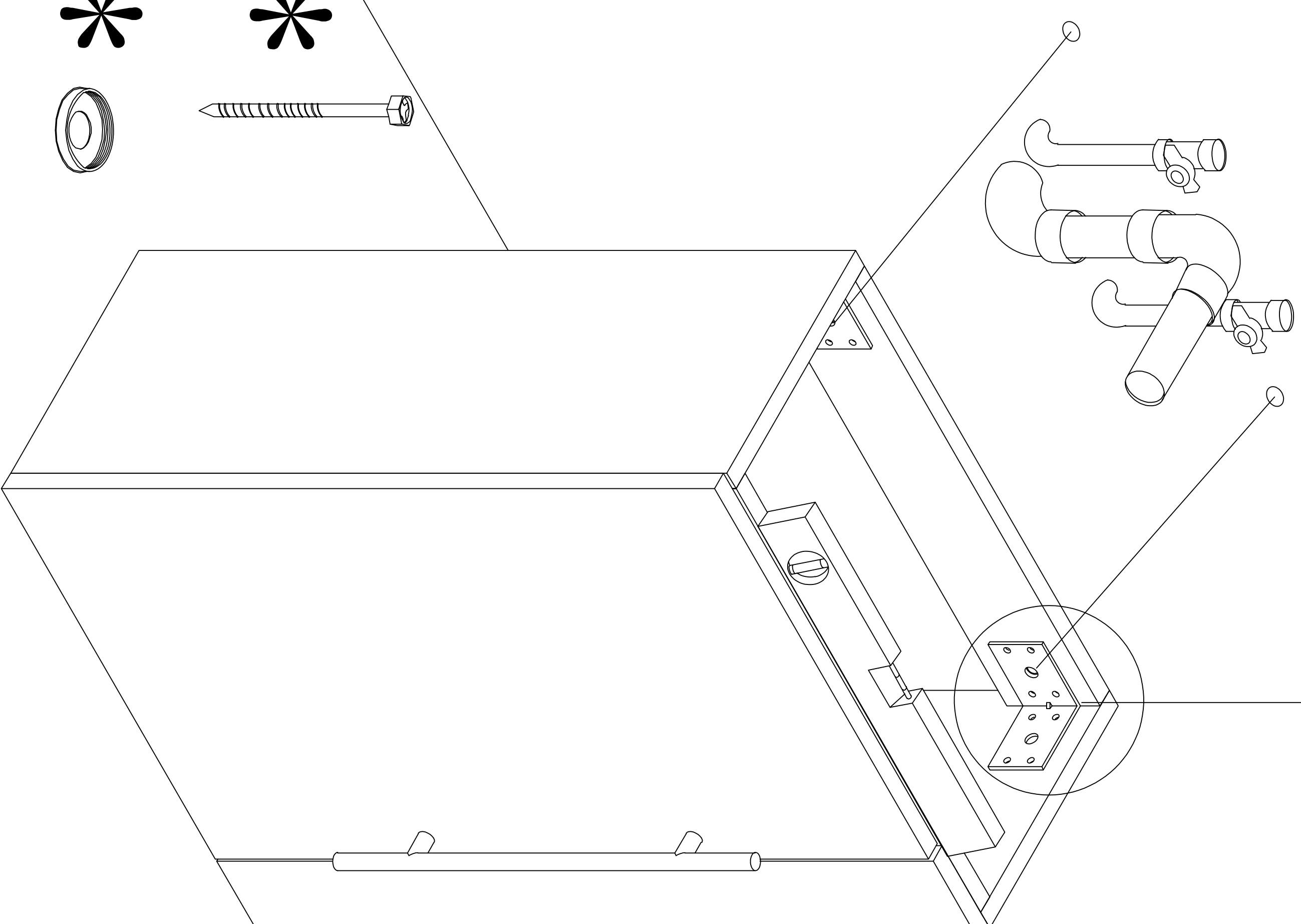
19



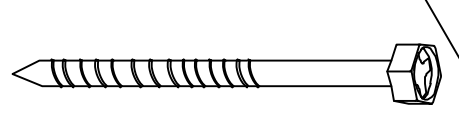
J=2*



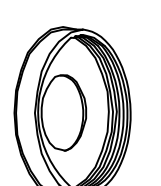
18



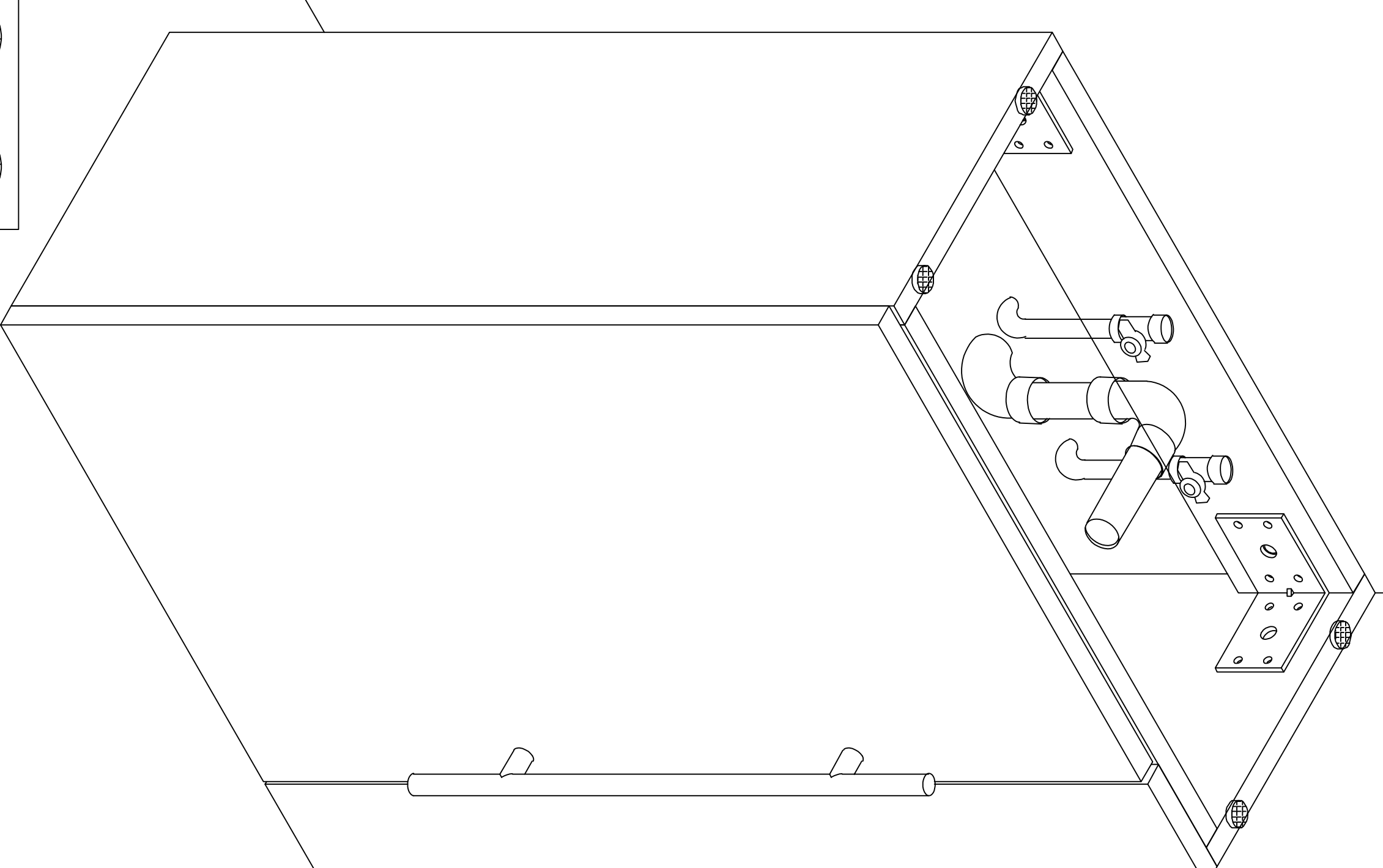
L=2*



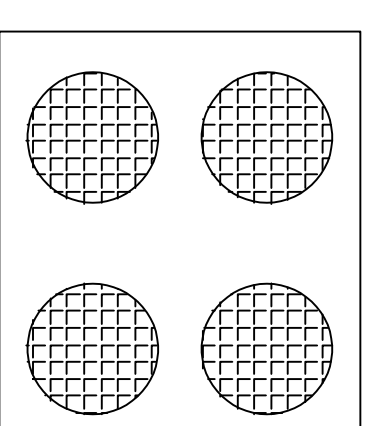
J=2*



20



P=4



OK!